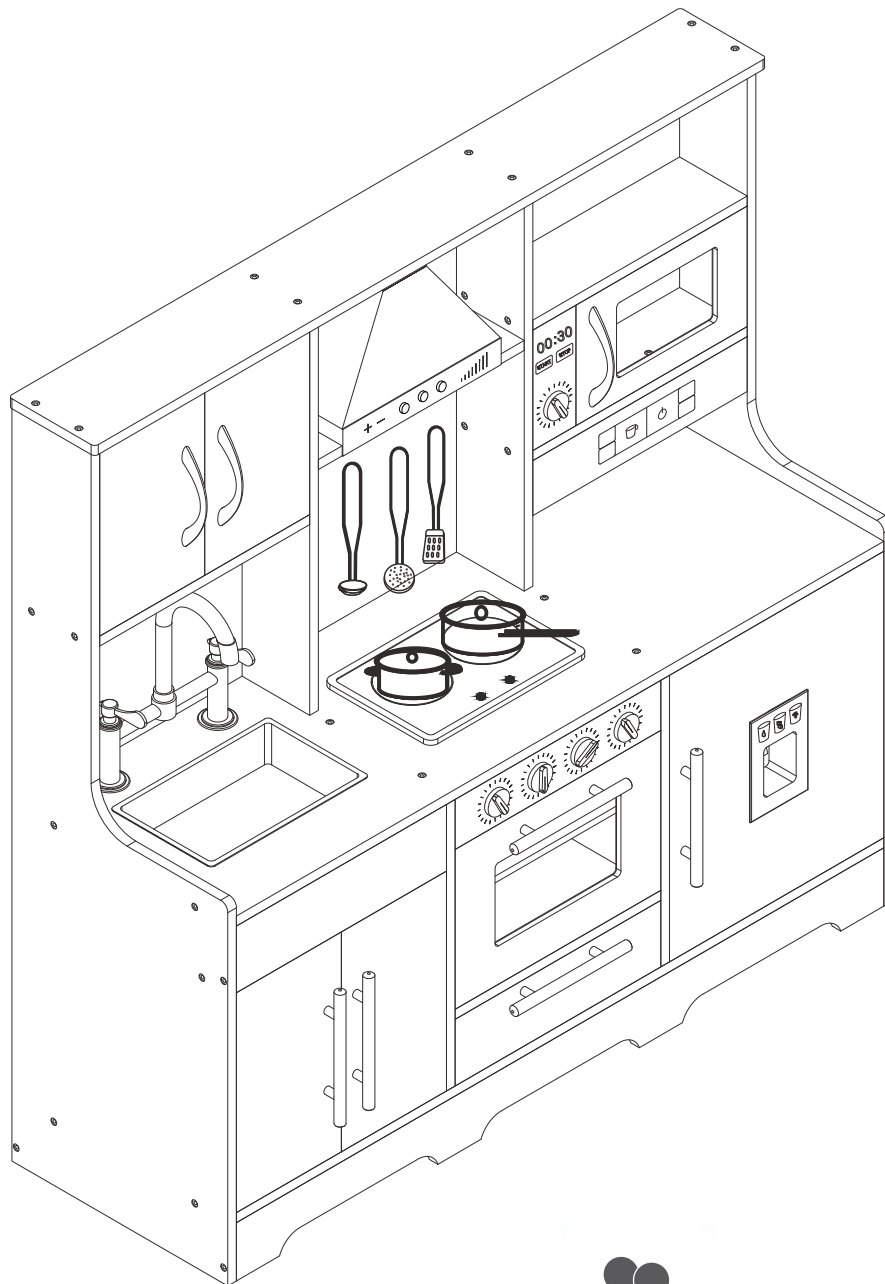

Instruction



NATURE INTERNATIONAL TRADING INC.
597 BEAVER CREEK CT, BRIGHTON, CO
80601

Email Add: tfservices@163.com



Need to be installed by 2 person

USER'S MANUAL

Kids Kitchen toy ETD054

KEEP INSTRUCTIONS FOR FUTURE USE

Read all instructions before assembling and using the product.

Never use this product if any parts are missing, damaged, or broken. Contact seller for replacement parts and instructional literature if needed. Never substitute parts.

Before You Start

Please read all instructions carefully and keep it for future reference.

General Security Warning

Caution: The Product is not suitable for the children under 3 years

Danger: Keep all small parts and packaging materials for this product away from babies and children, otherwise they may pose a choking hazard.

Danger: Lack of attachment may cause a risk of tipping.



WARNING:
CHOKING HAZARD-Small parts. Not for children under 3 years.





WARNING:

Adult assembly required!

In unassembled state contain potentially hazardous small parts and sharp points,so please keep out of baby's reach.

Remove all Packaging, separate and count all parts and hardware.

Read through each step carefully and follow the proper order.

We recommend that, where possible, all items are assembled near to the area in which they will be placed in use, to avoid moving the product unnecessarily once assembled.

Ensure a secure surface during construction, and place the product always on a flat. steady and stable surface

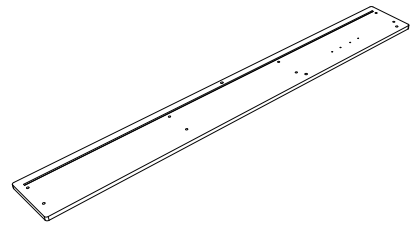
Do not mix old and new batteries.

Do not mix alkaline, standard (carbon-zinc). or rechargeable batteries

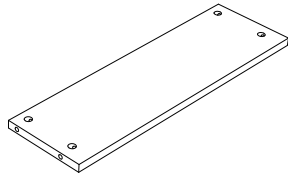
IMPORTANT INFORMATION:

1. Before installing, please refer to the manual to check each part.

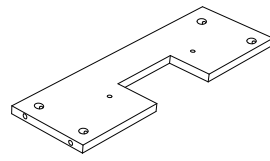
2. If you experience any issue during the installation, please reach out to our service team for assistance: tfsservices@163.com



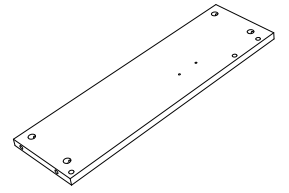
① X1



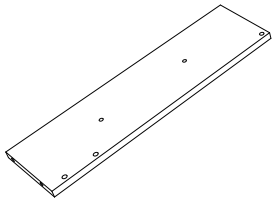
② X1



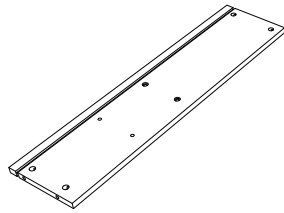
③ X1



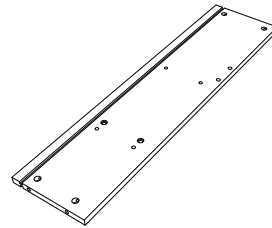
④ X1



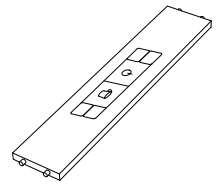
⑤ X1



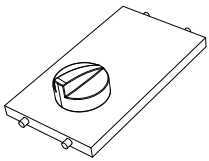
⑥ X1



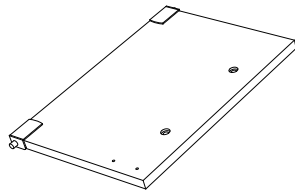
⑦ X1



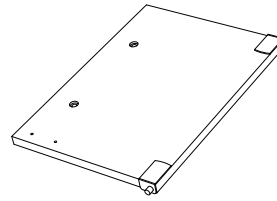
⑧ X1



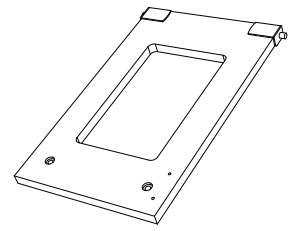
⑨ X1



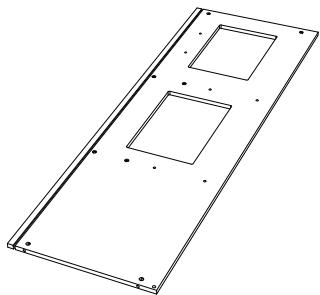
⑩ X1



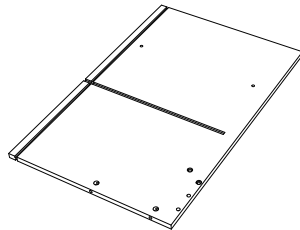
⑪ X1



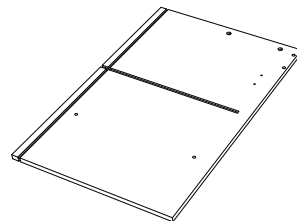
⑫ X1



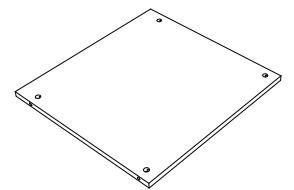
⑬ X1



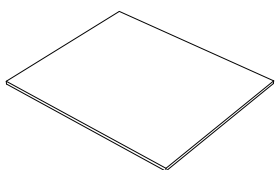
⑭ X1



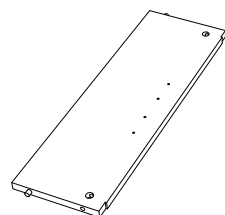
⑮ X1



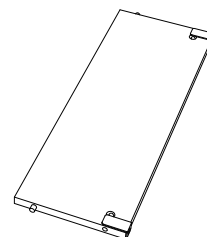
⑯ X1



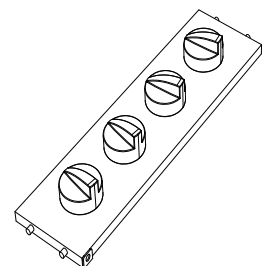
⑰ X1



⑱ X1



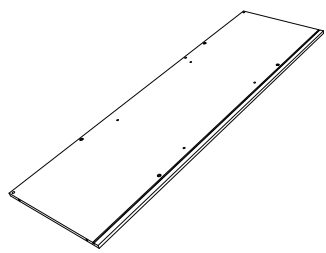
⑲ X1



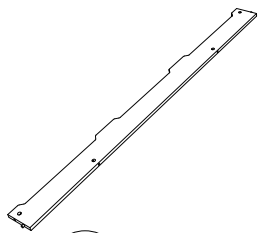
⑳ X1

IMPORTANT INFORMATION:

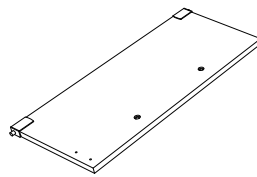
1. Before installing, please refer to the manual to check each part.
2. If you experience any issue during the installation, please reach out to our service team for assistance: tfservices@163.com



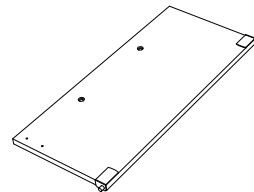
21 X1



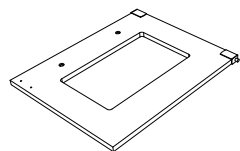
22 X2



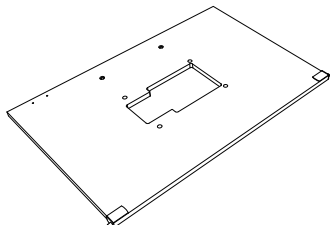
23 X1



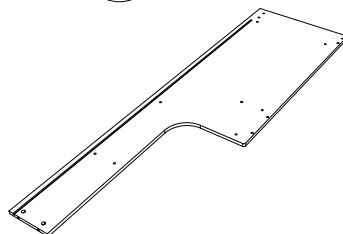
24 X1



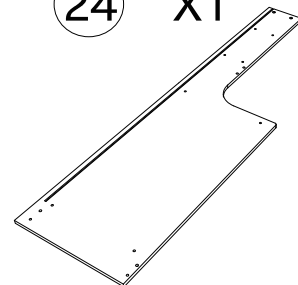
25 X1



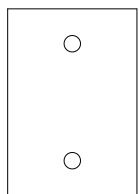
26 X1



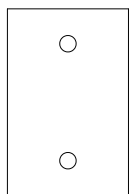
27 X1



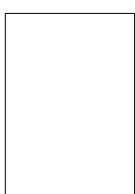
28 X1



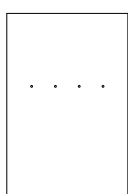
29 X2



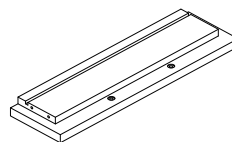
30 X1



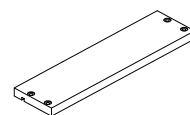
31 X2



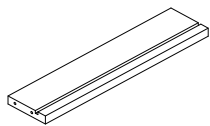
32 X1



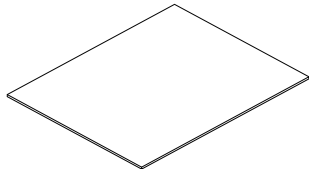
33 X1



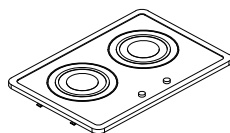
34 X2



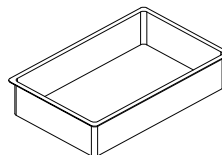
35 X1



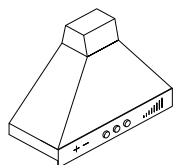
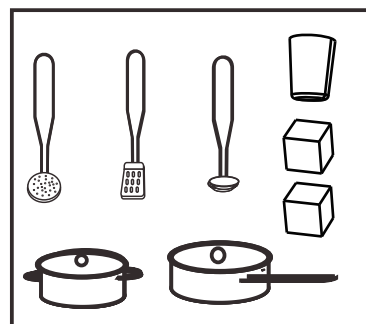
36 X1



37 X1

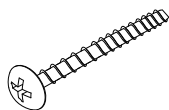


38 X1



39 X1

AX63



BX6



CX10



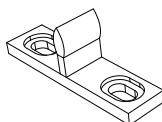
DX28



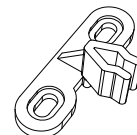
EX4



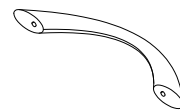
FX7



GX7



HX3



IX4



JX8



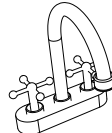
KX4



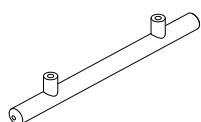
LX4



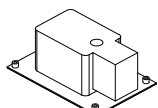
MX1



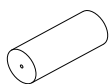
NX5



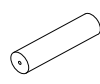
OX1



PX1



QX1



RX1



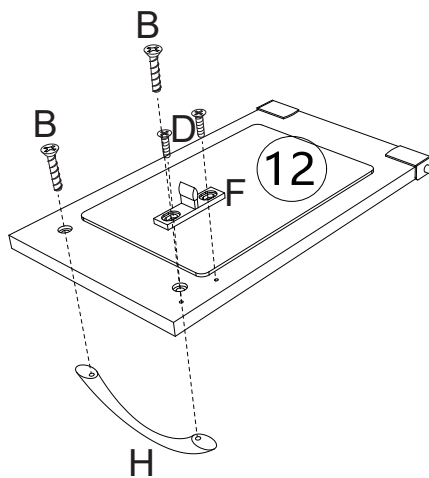
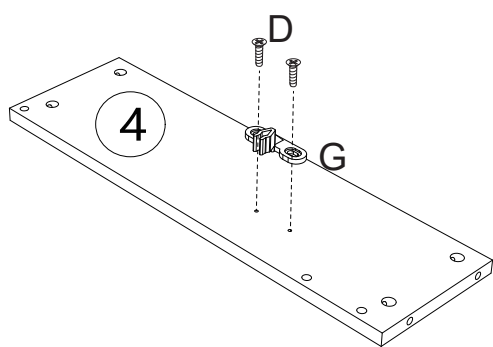
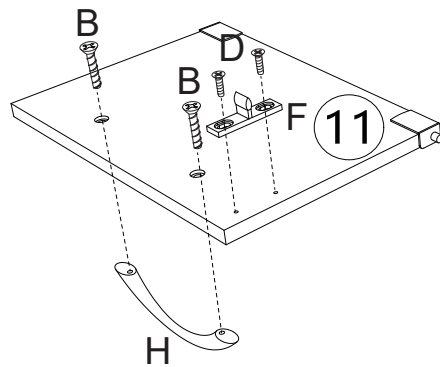
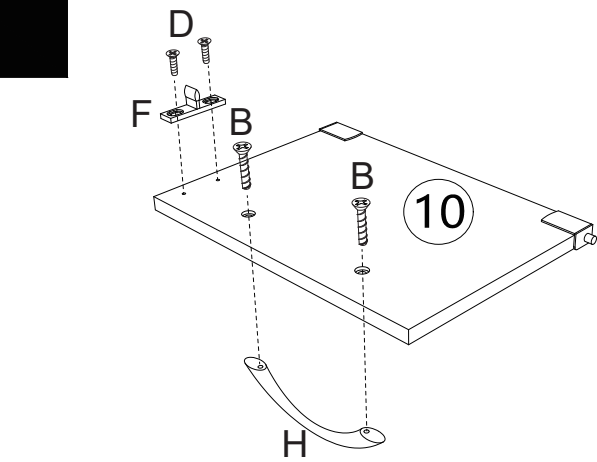
SX1


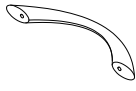

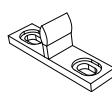
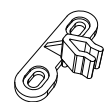
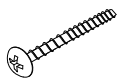


IMPORTANT INFORMATION:

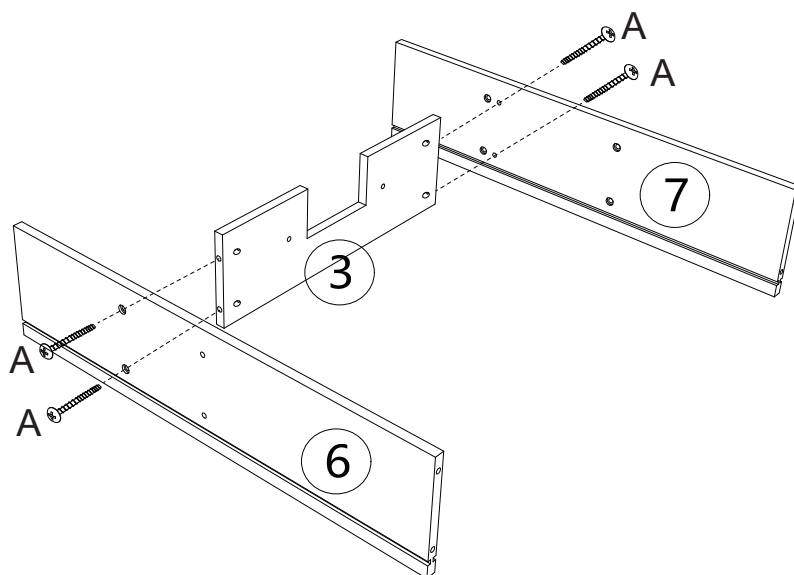
1. Before installing, please refer to the manual to check each part.
2. If you experience any issue during the installation, please reach out to our service team for assistance: tfservices@163.com

1



BX6 	HX3 
DX8 	FX3 
GX1 	
	AX4 

2

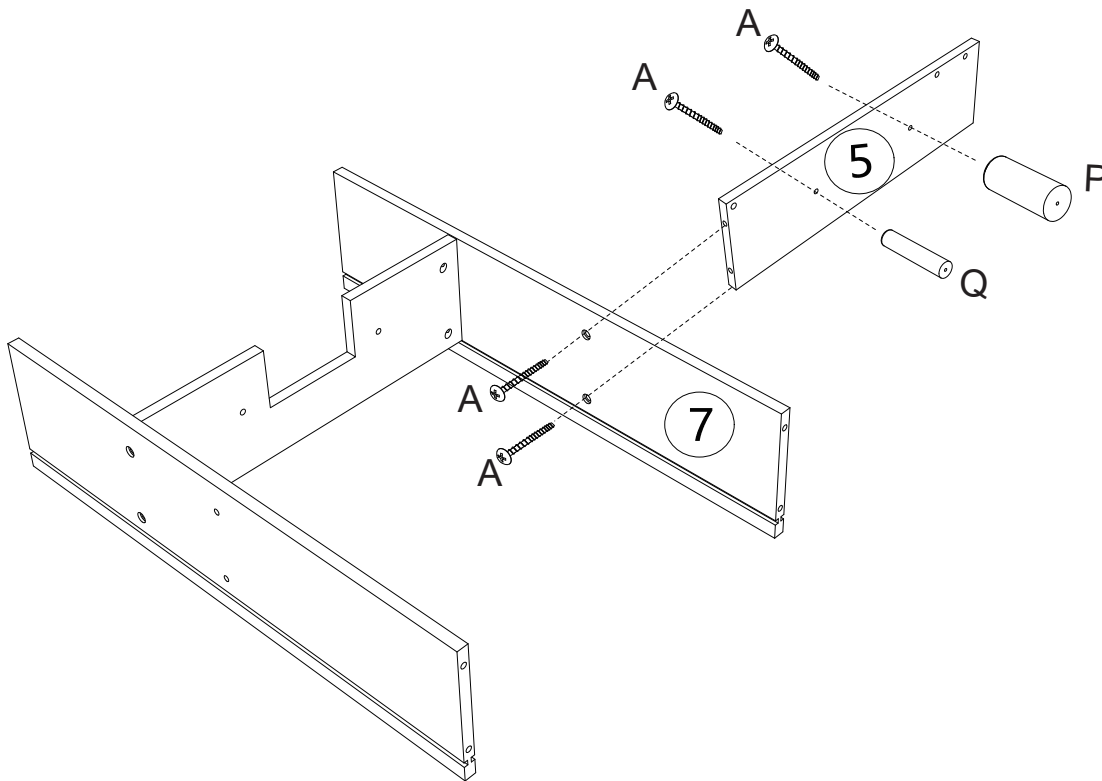


Need to be installed by 2 person

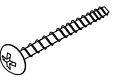
IMPORTANT INFORMATION:

1. Before installing, please refer to the manual to check each part.
2. If you experience any issue during the installation, please reach out to our service team for assistance: tfservices@163.com

3



AX4



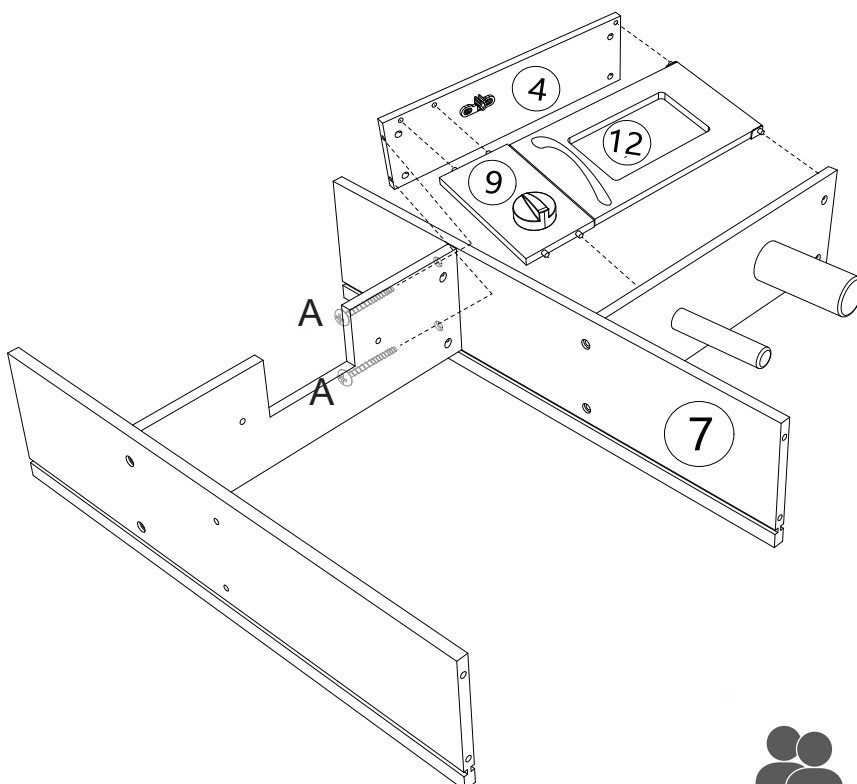
PX1



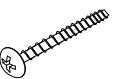
QX1



4



AX2



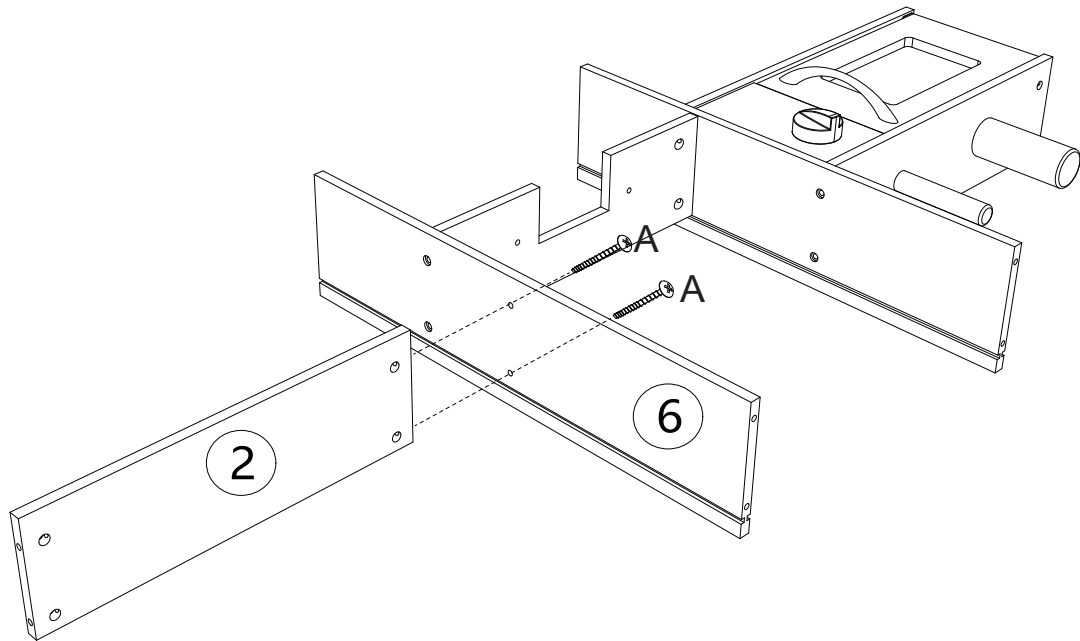
Need to be installed by 2 person

IMPORTANT INFORMATION:

1. Before installing, please refer to the manual to check each part.
2. If you experience any issue during the installation, please reach out to our service team for assistance: tfsservices@163.com

5

AX2

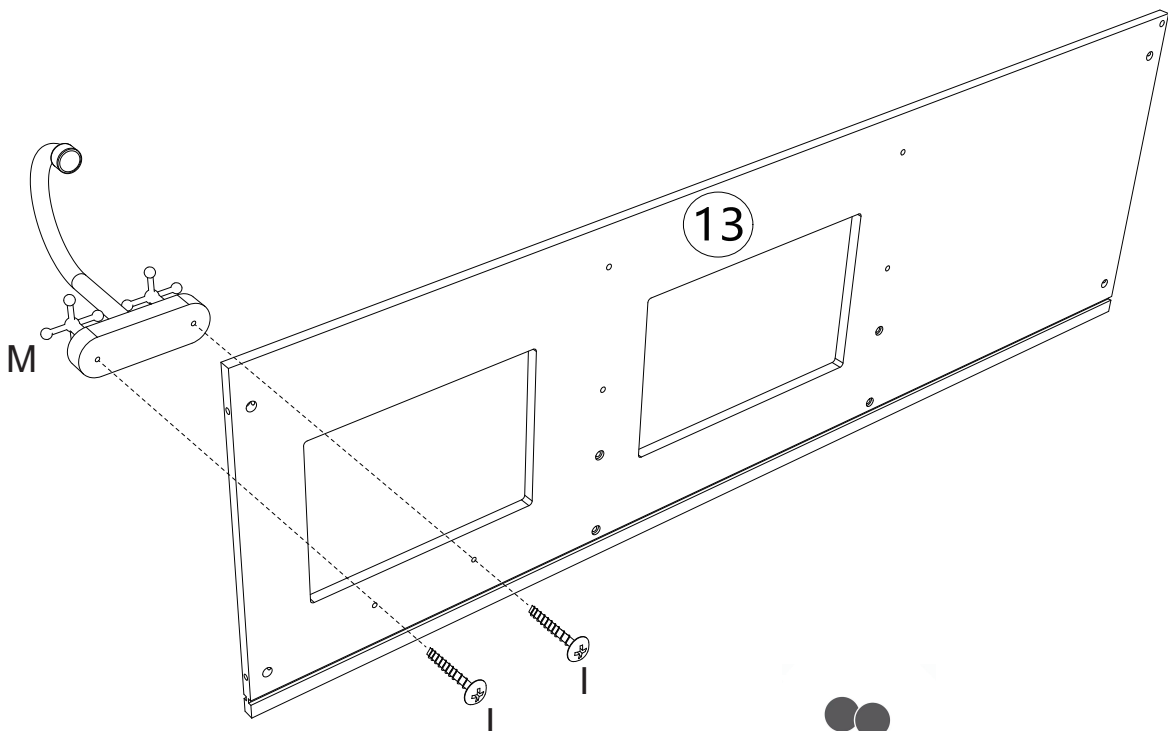


6

IX2



MX1



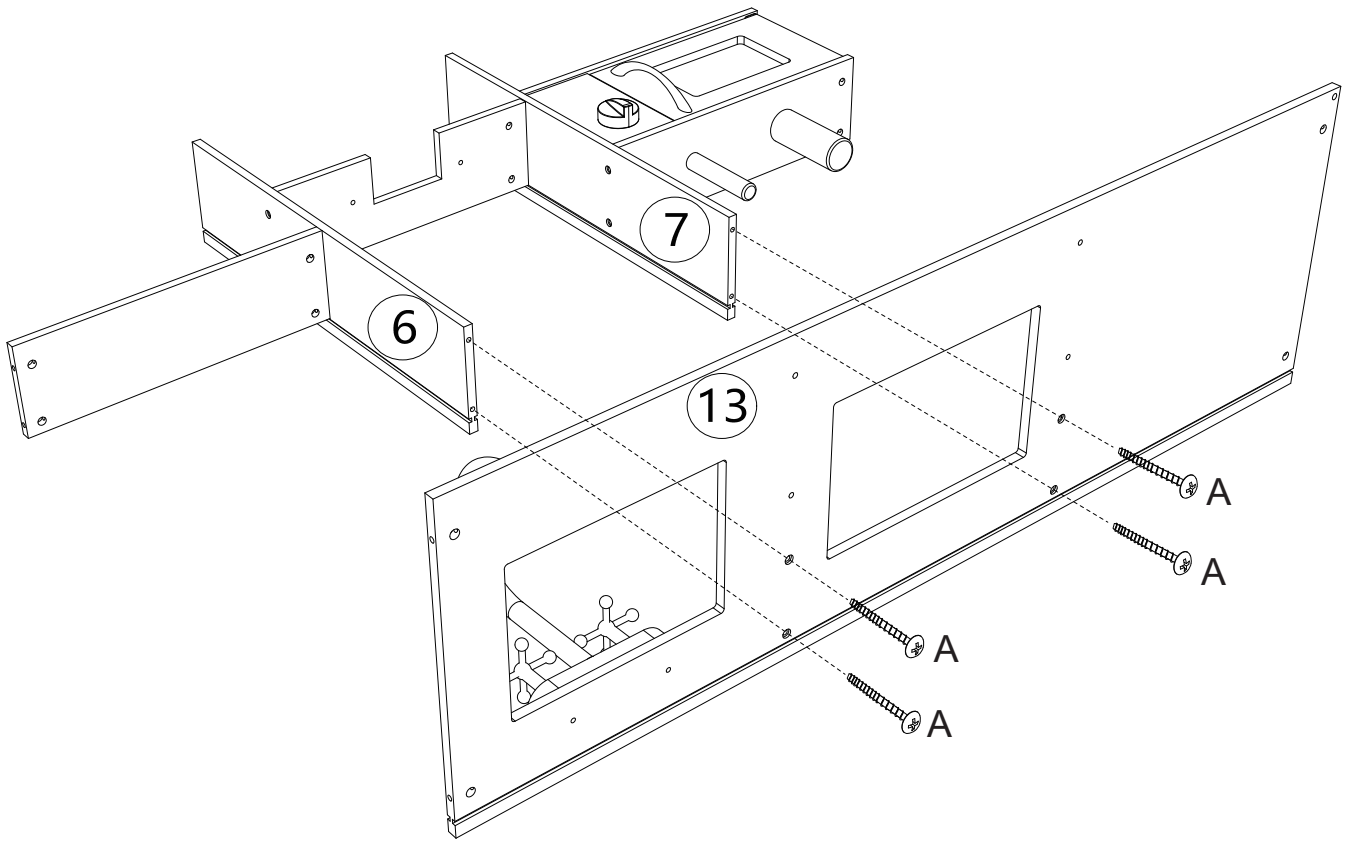
Need to be installed by 2 person

IMPORTANT INFORMATION:

1. Before installing, please refer to the manual to check each part.
2. If you experience any issue during the installation, please reach out to our service team for assistance: tfservices@163.com

7

AX4



8

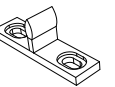
CX4



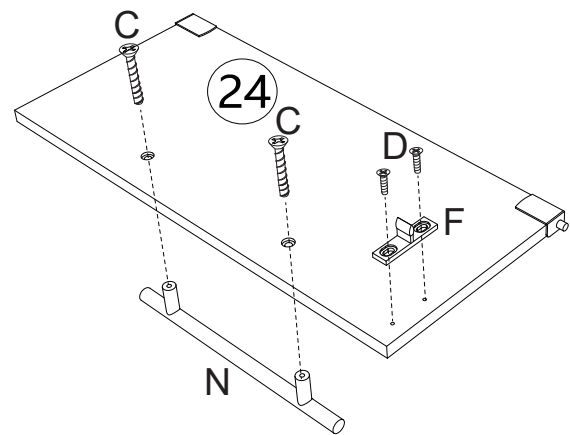
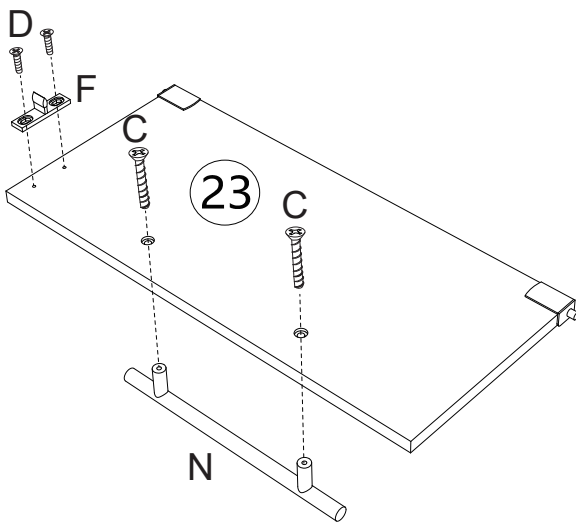
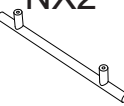
DX4



FX2



NX2

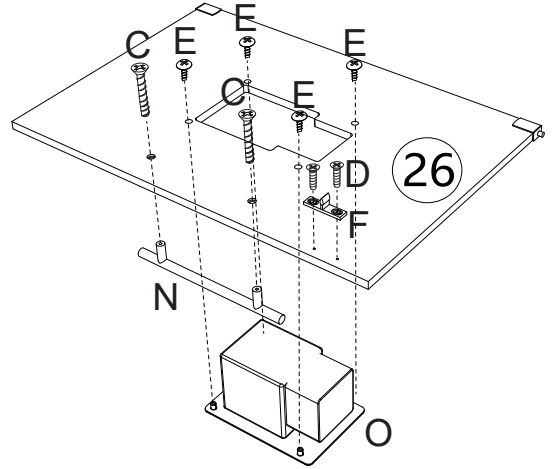
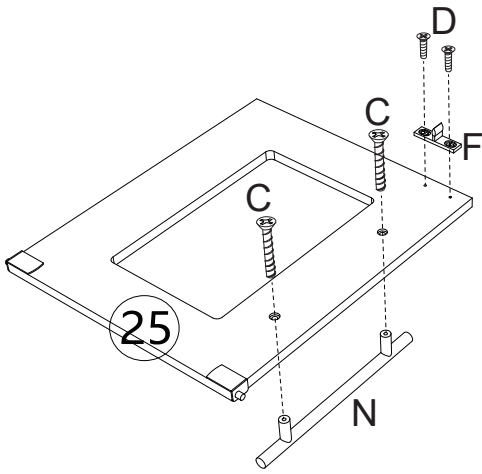


Need to be installed by 2 person

IMPORTANT INFORMATION:

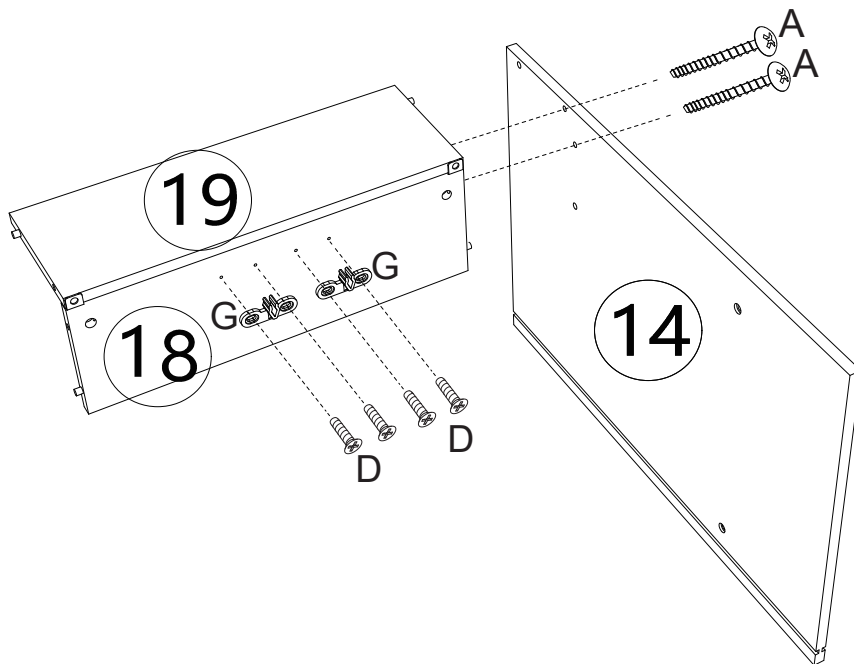
1. Before installing, please refer to the manual to check each part.
2. If you experience any issue during the installation, please reach out to our service team for assistance: tfservices@163.com

9



CX4 	DX4 	EX4
FX2 	NX2 	OX1

10



AX2
DX4
GX2



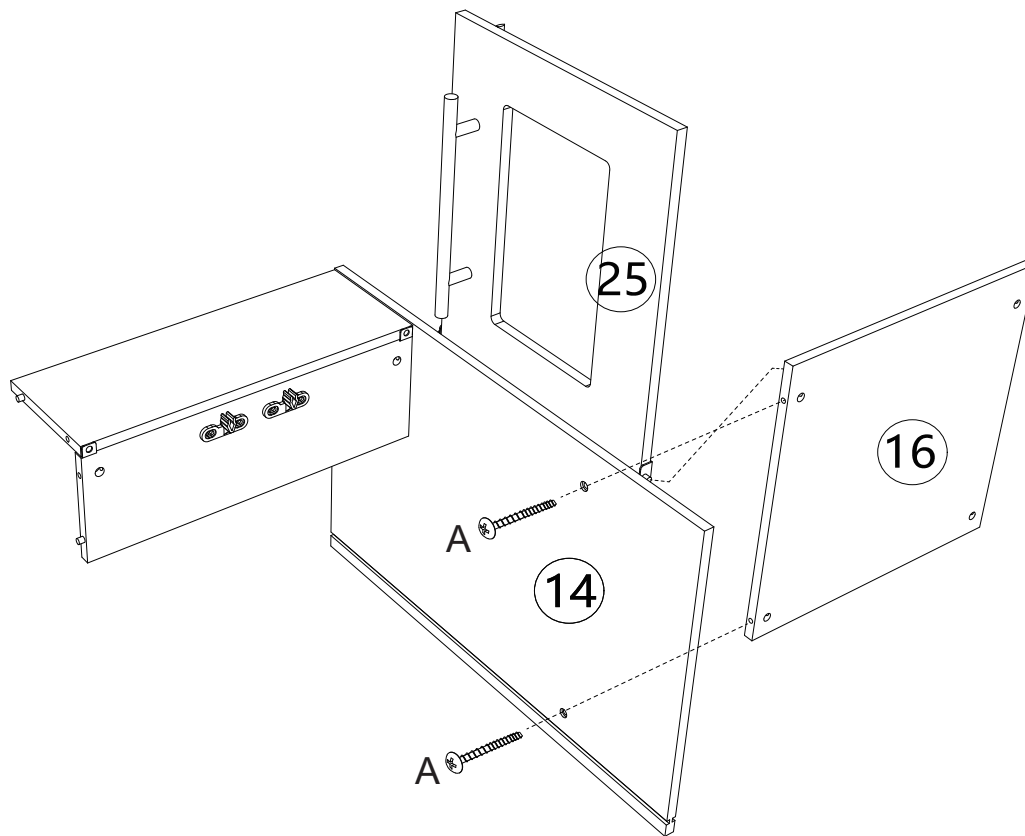
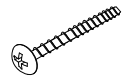
Need to be installed by 2 person

IMPORTANT INFORMATION:

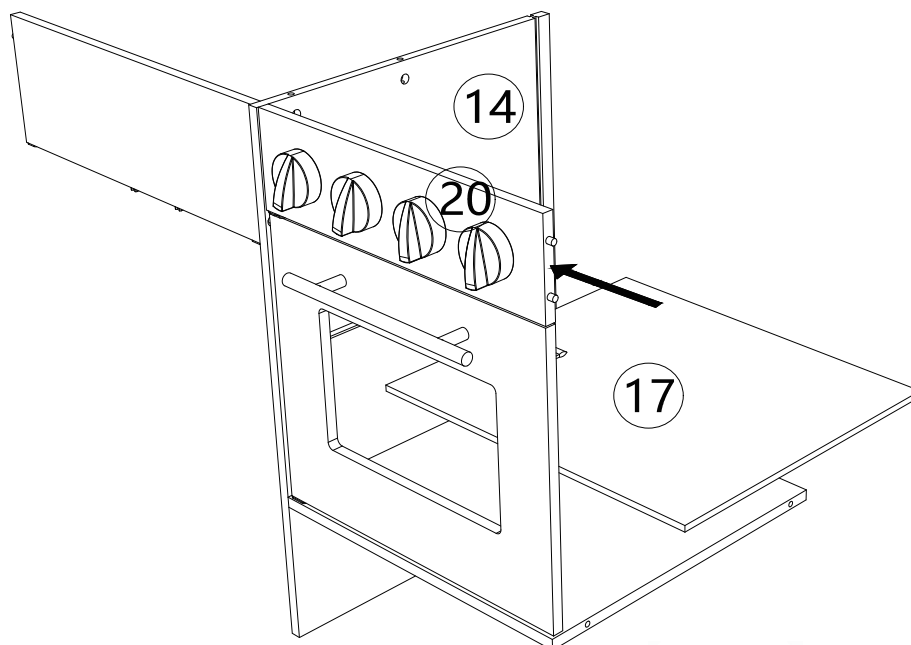
1. Before installing, please refer to the manual to check each part.
2. If you experience any issue during the installation, please reach out to our service team for assistance: tfservices@163.com

11

AX2



12

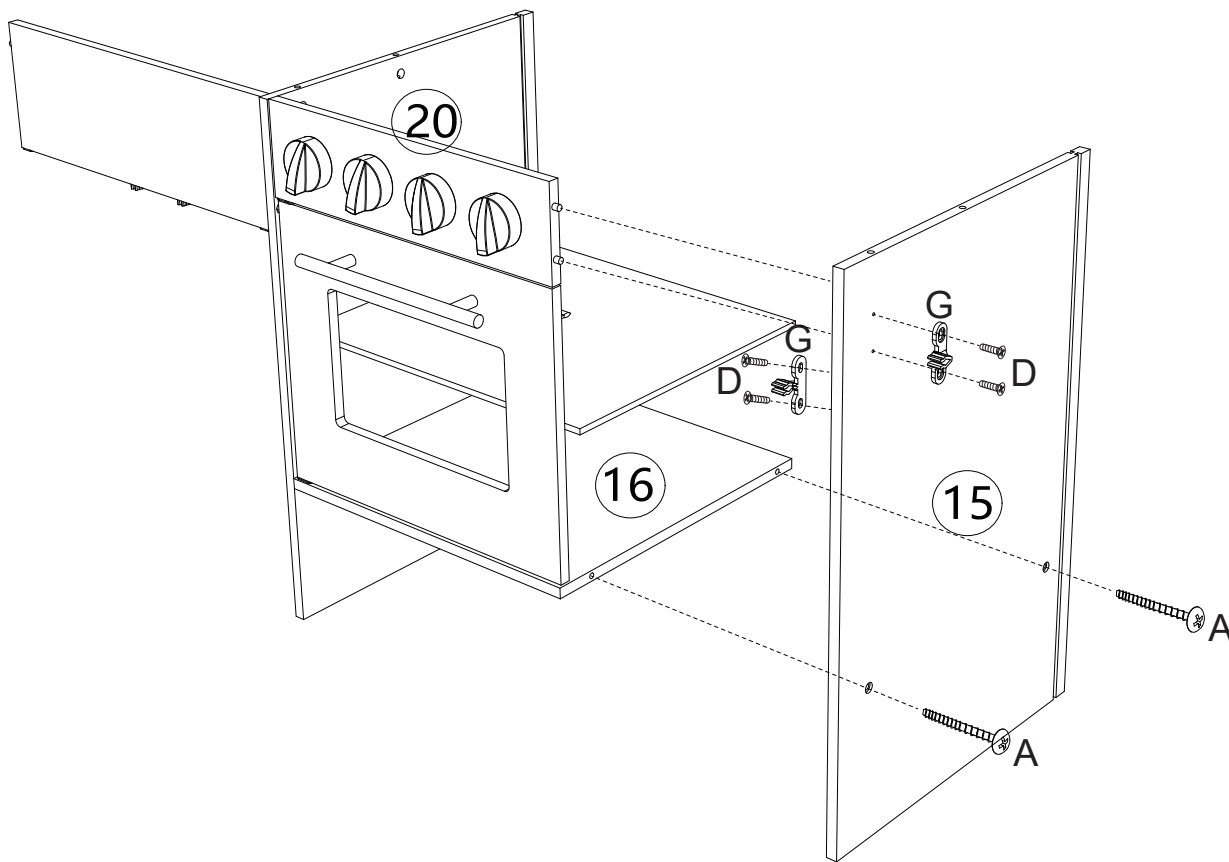


Need to be installed by 2 person

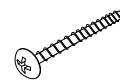
IMPORTANT INFORMATION:

1. Before installing, please refer to the manual to check each part.
2. If you experience any issue during the installation, please reach out to our service team for assistance: tfsservices@163.com

13



AX2



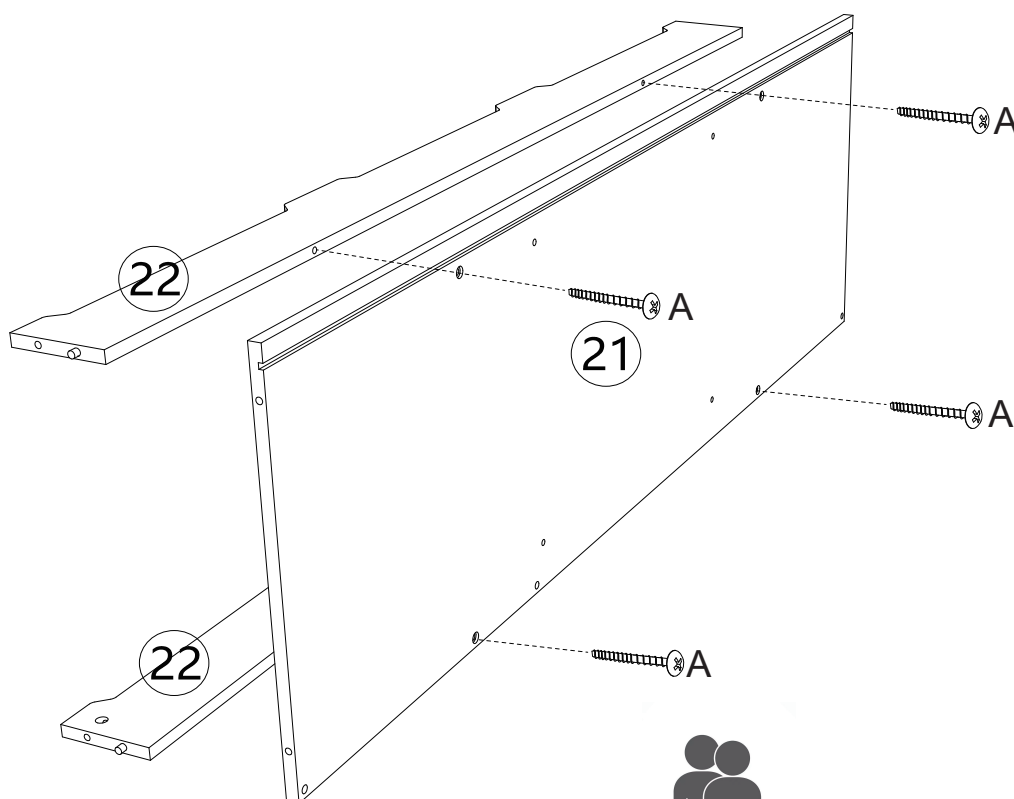
DX4



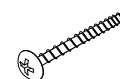
GX2



14



AX4

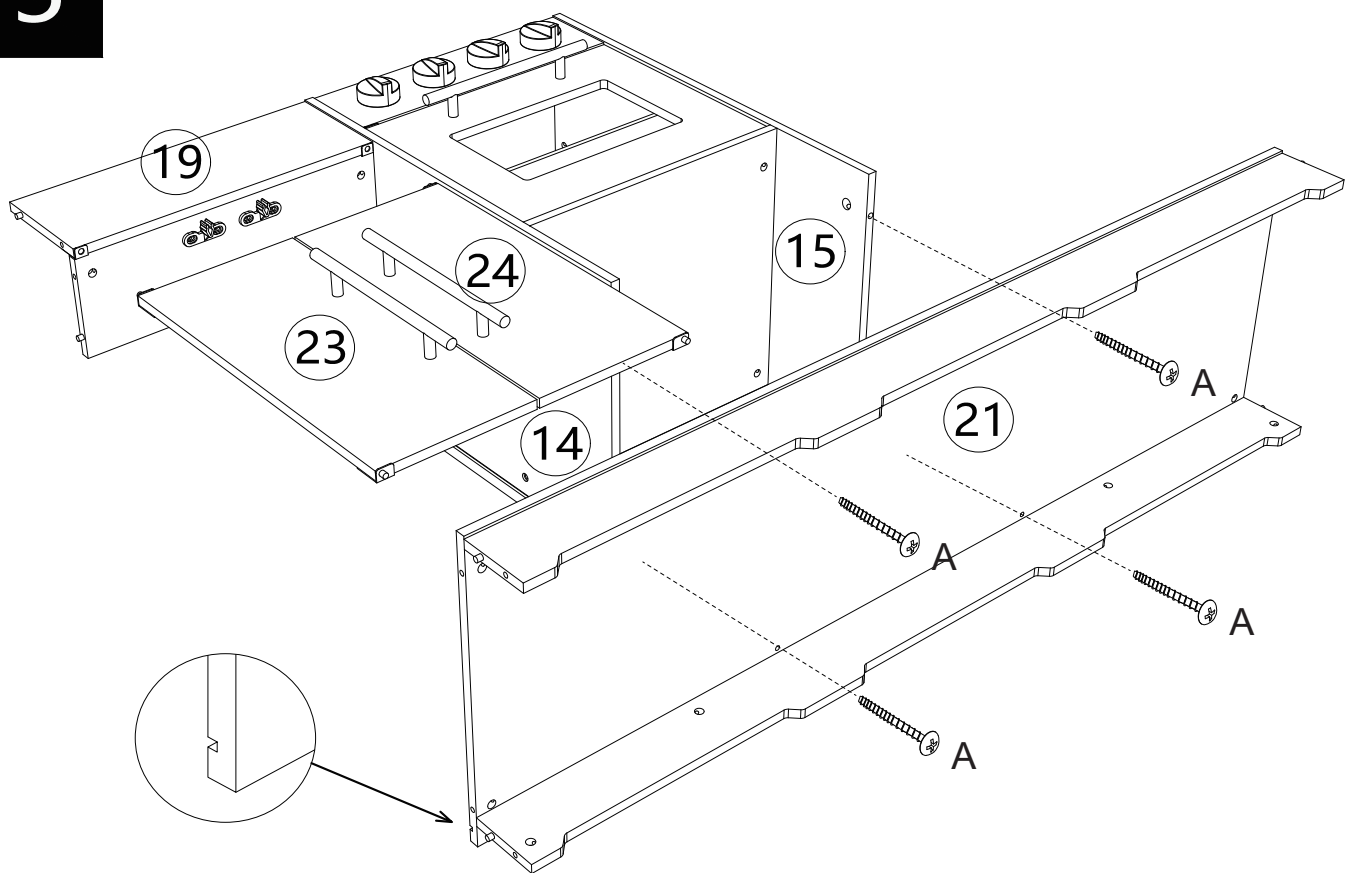


Need to be installed by 2 person

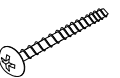
IMPORTANT INFORMATION:

1. Before installing, please refer to the manual to check each part.
2. If you experience any issue during the installation, please reach out to our service team for assistance: tfsservices@163.com

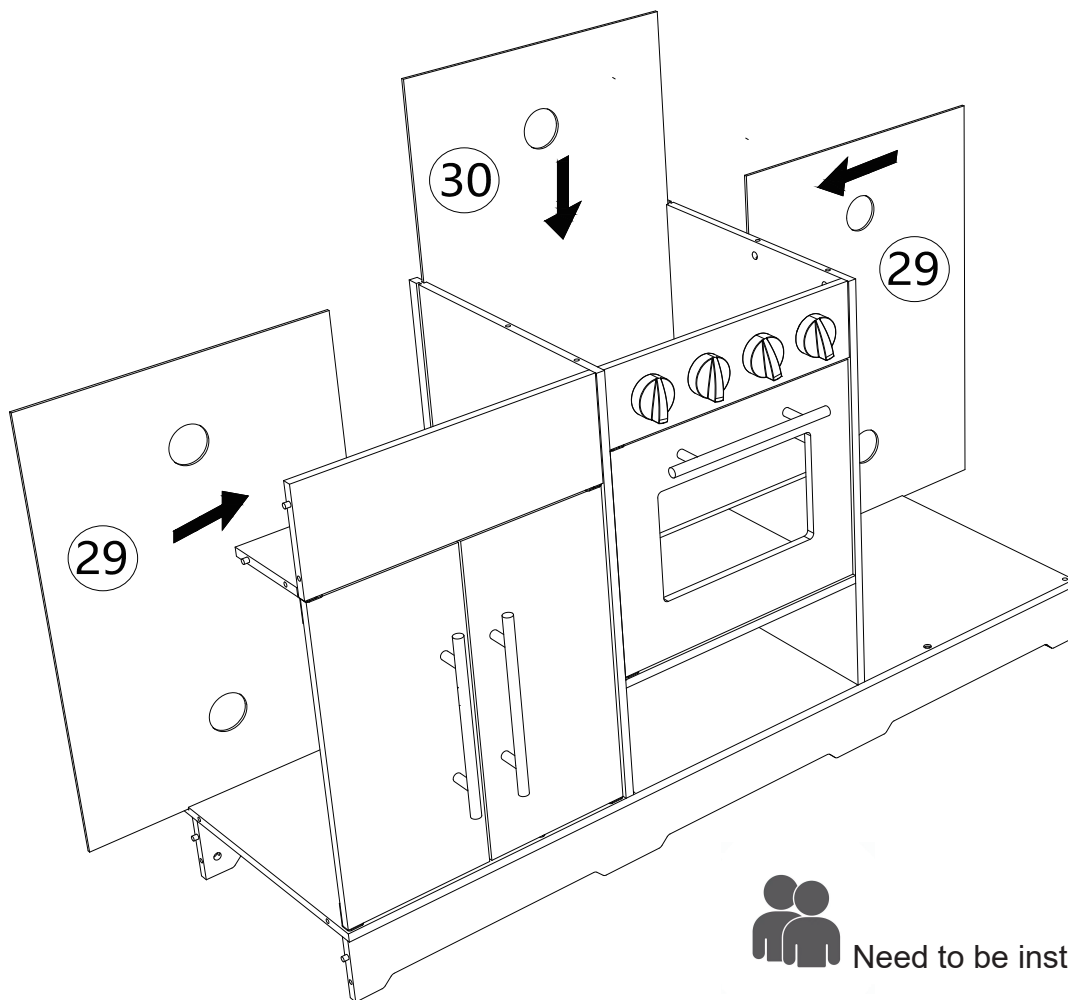
15



AX4



16



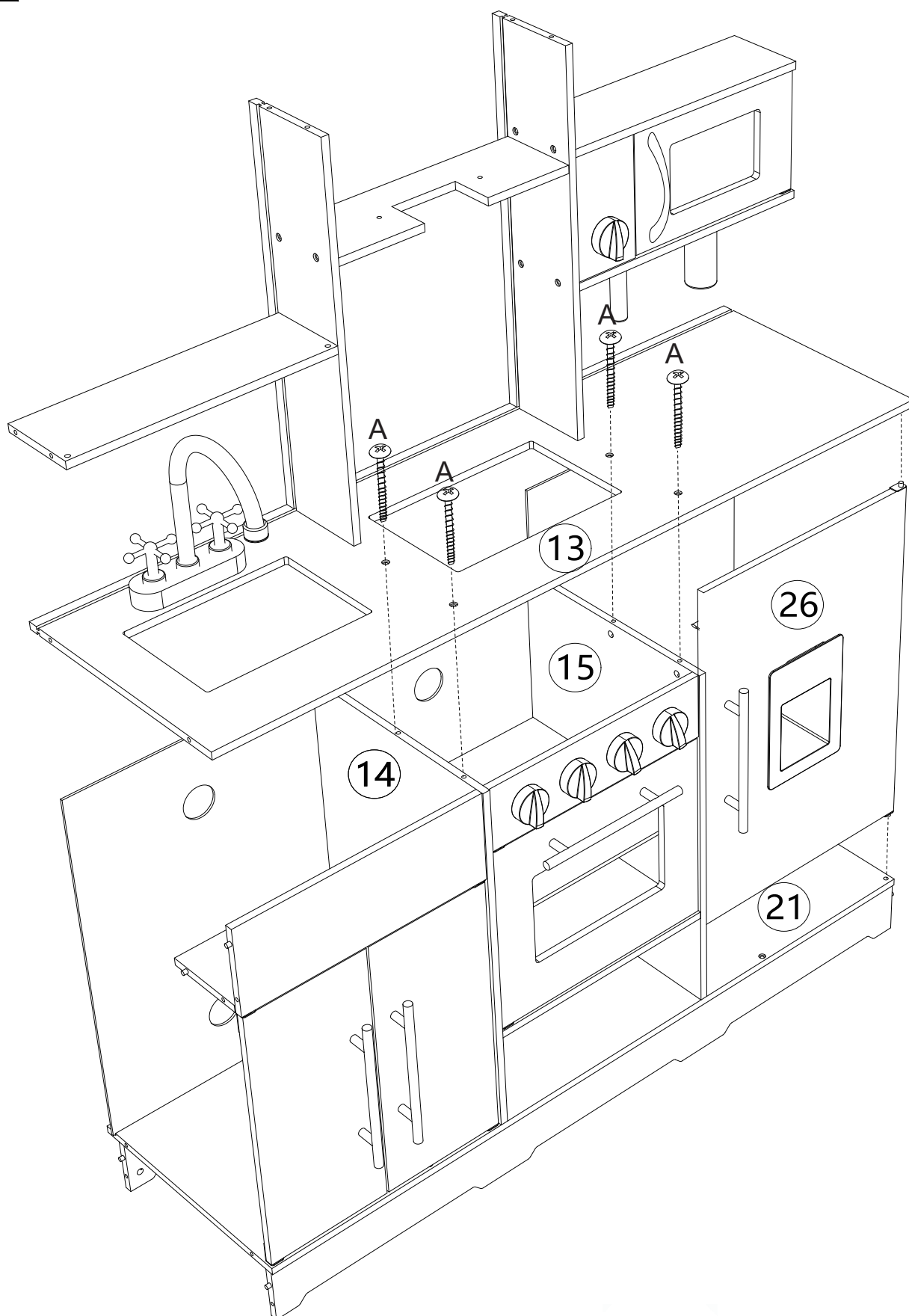
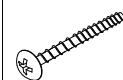
Need to be installed by 2 person

IMPORTANT INFORMATION:

1. Before installing, please refer to the manual to check each part.
2. If you experience any issue during the installation, please reach out to our service team for assistance: tfservices@163.com

17

AX4



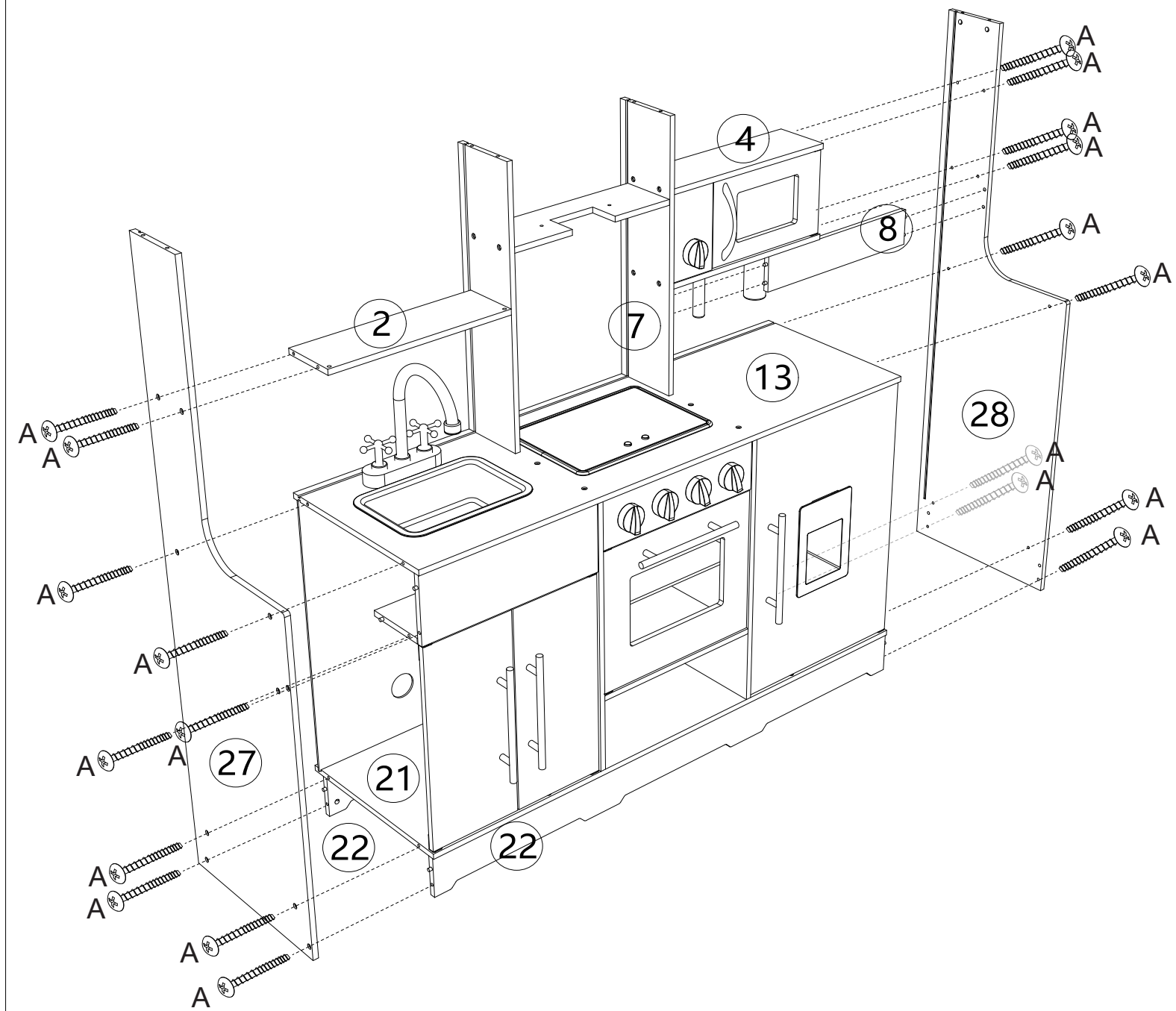
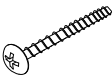
Need to be installed by 2 person

IMPORTANT INFORMATION:

1. Before installing, please refer to the manual to check each part.
2. If you experience any issue during the installation, please reach out to our service team for assistance: tfservices@163.com

18

AX20



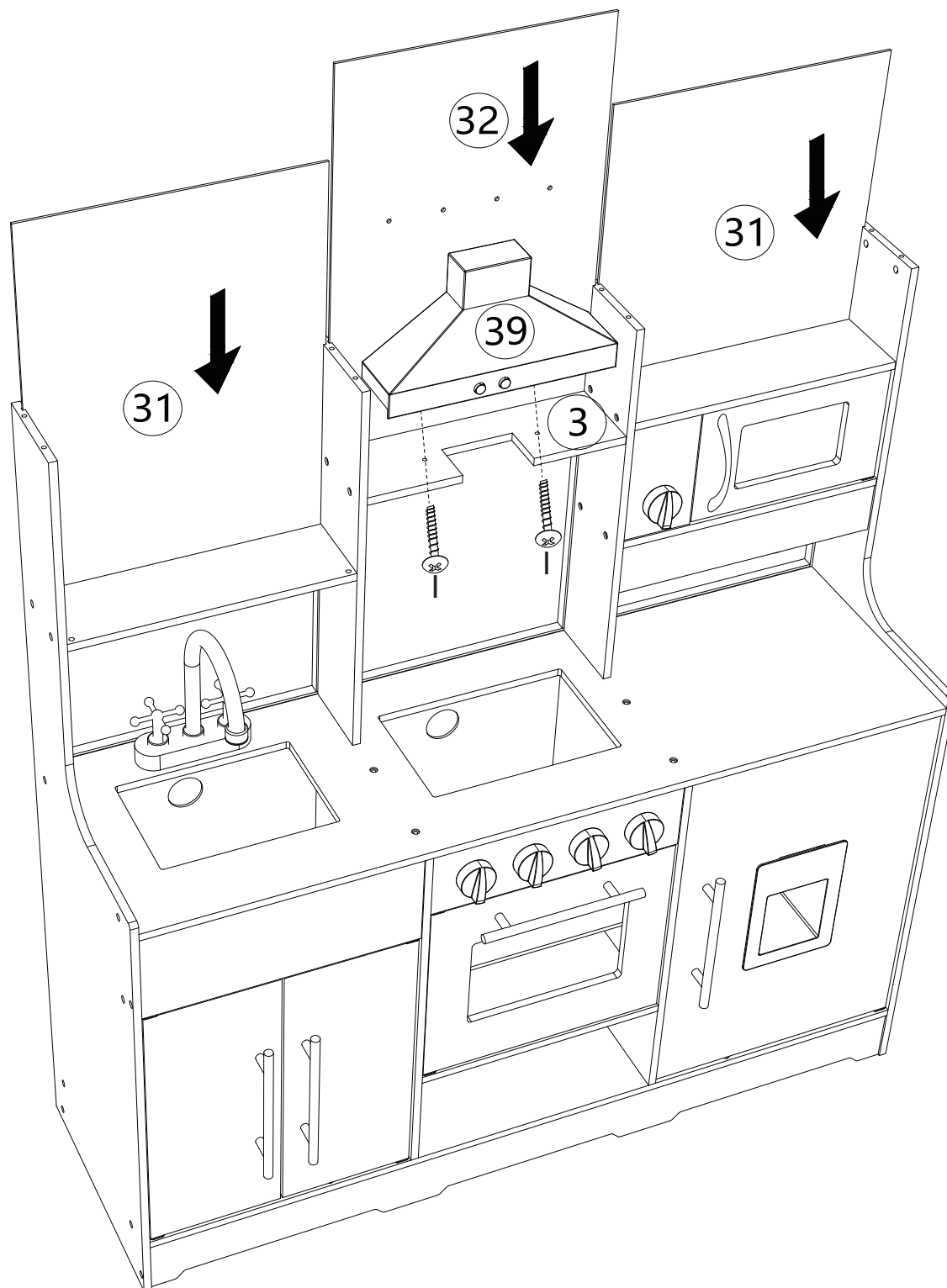
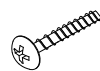
Need to be installed by 2 person

IMPORTANT INFORMATION:

1. Before installing, please refer to the manual to check each part.
2. If you experience any issue during the installation, please reach out to our service team for assistance: tfservices@163.com

19

IX2

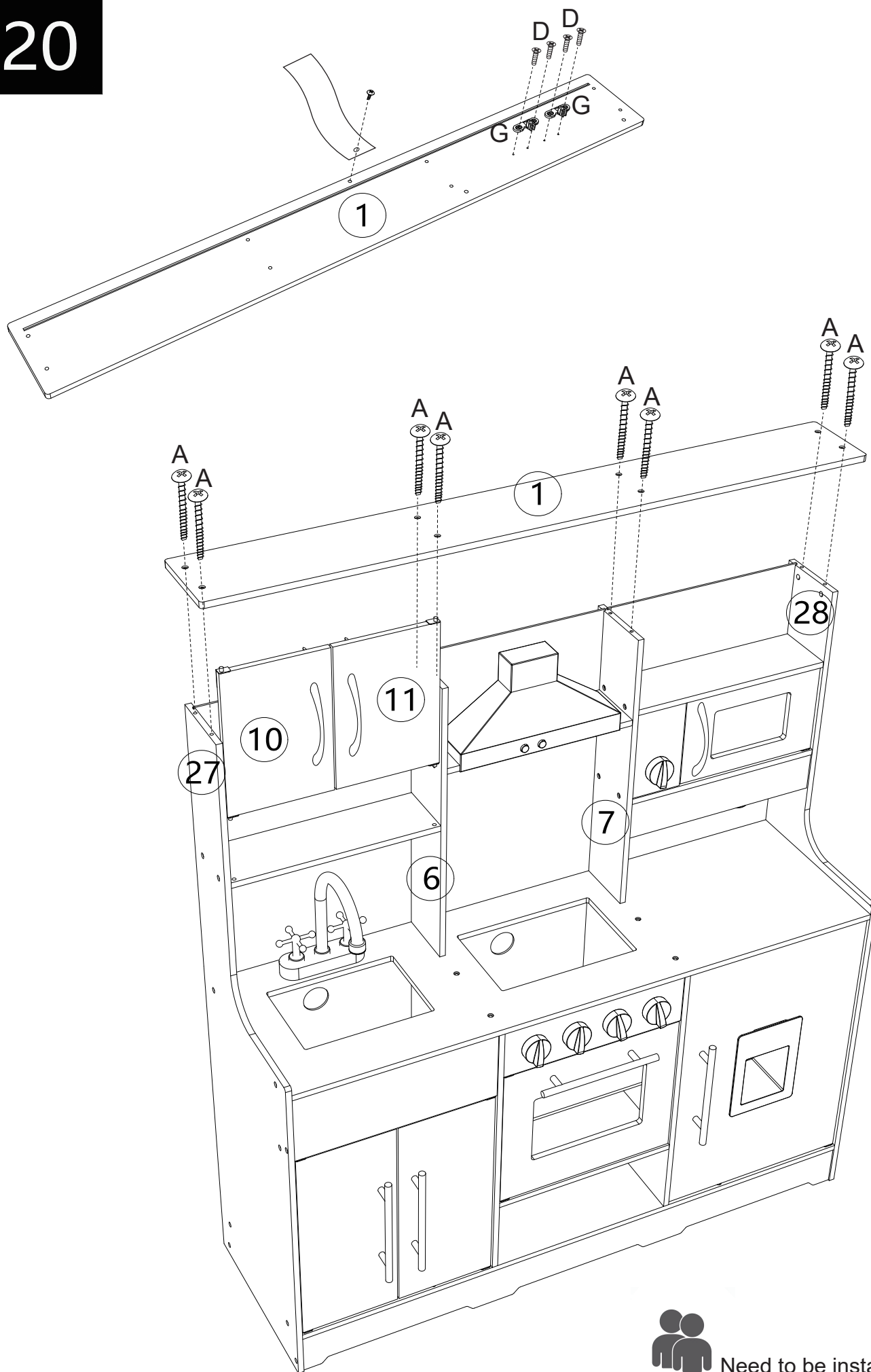


Need to be installed by 2 person

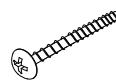
IMPORTANT INFORMATION:

1. Before installing, please refer to the manual to check each part.
2. If you experience any issue during the installation, please reach out to our service team for assistance: tfsservices@163.com

20



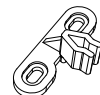
AX8



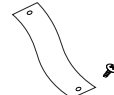
DX4



GX2



SX1

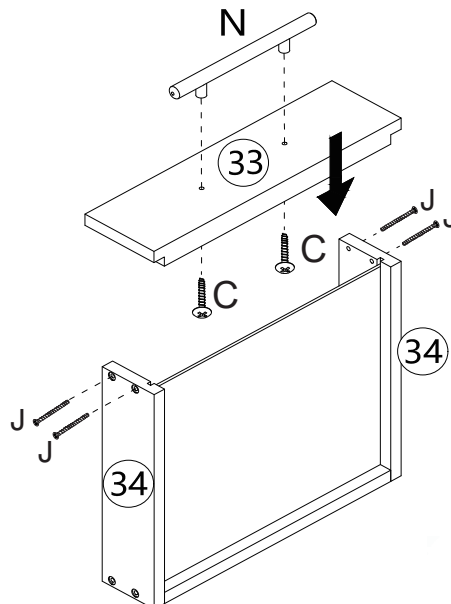
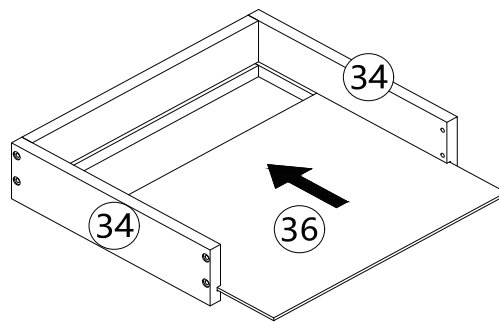
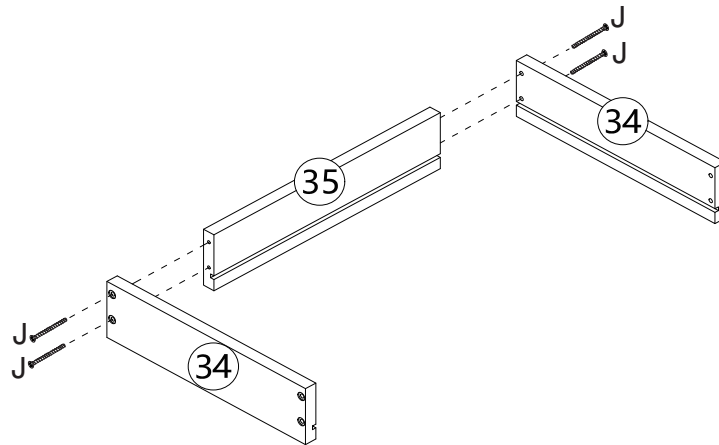


Need to be installed by 2 person

IMPORTANT INFORMATION:

1. Before installing, please refer to the manual to check each part.
2. If you experience any issue during the installation, please reach out to our service team for assistance: tfsservices@163.com

21



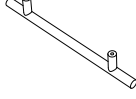
JX8



CX2



NX1



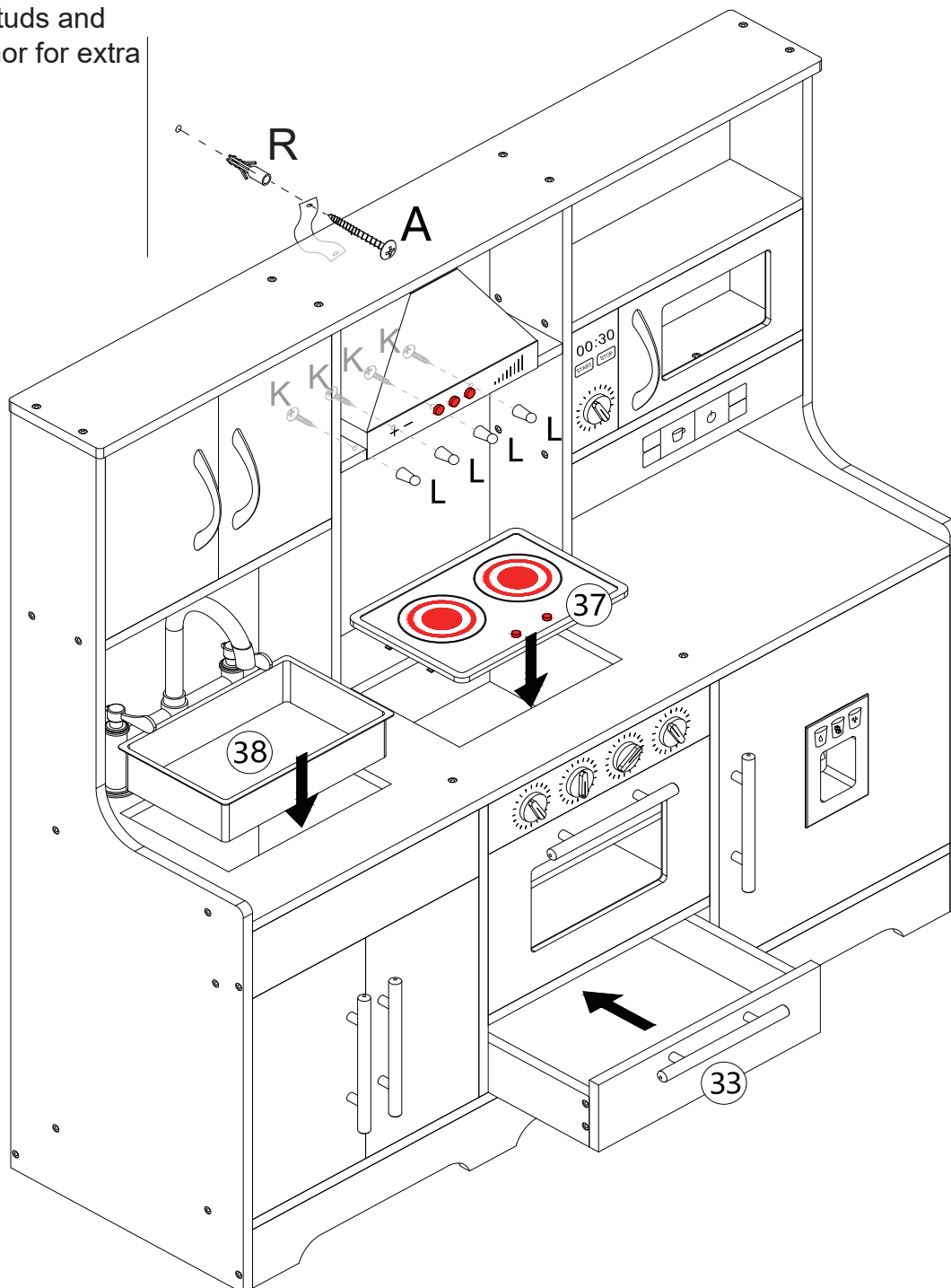
Need to be installed by 2 person

IMPORTANT INFORMATION:

1. Before installing, please refer to the manual to check each part.
2. If you experience any issue during the installation, please reach out to our service team for assistance: tfservices@163.com

22

Secure the wooden play kitchen to the wall by screwing into studs and using a strap anchor for extra



KX4



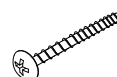
LX4



RX1



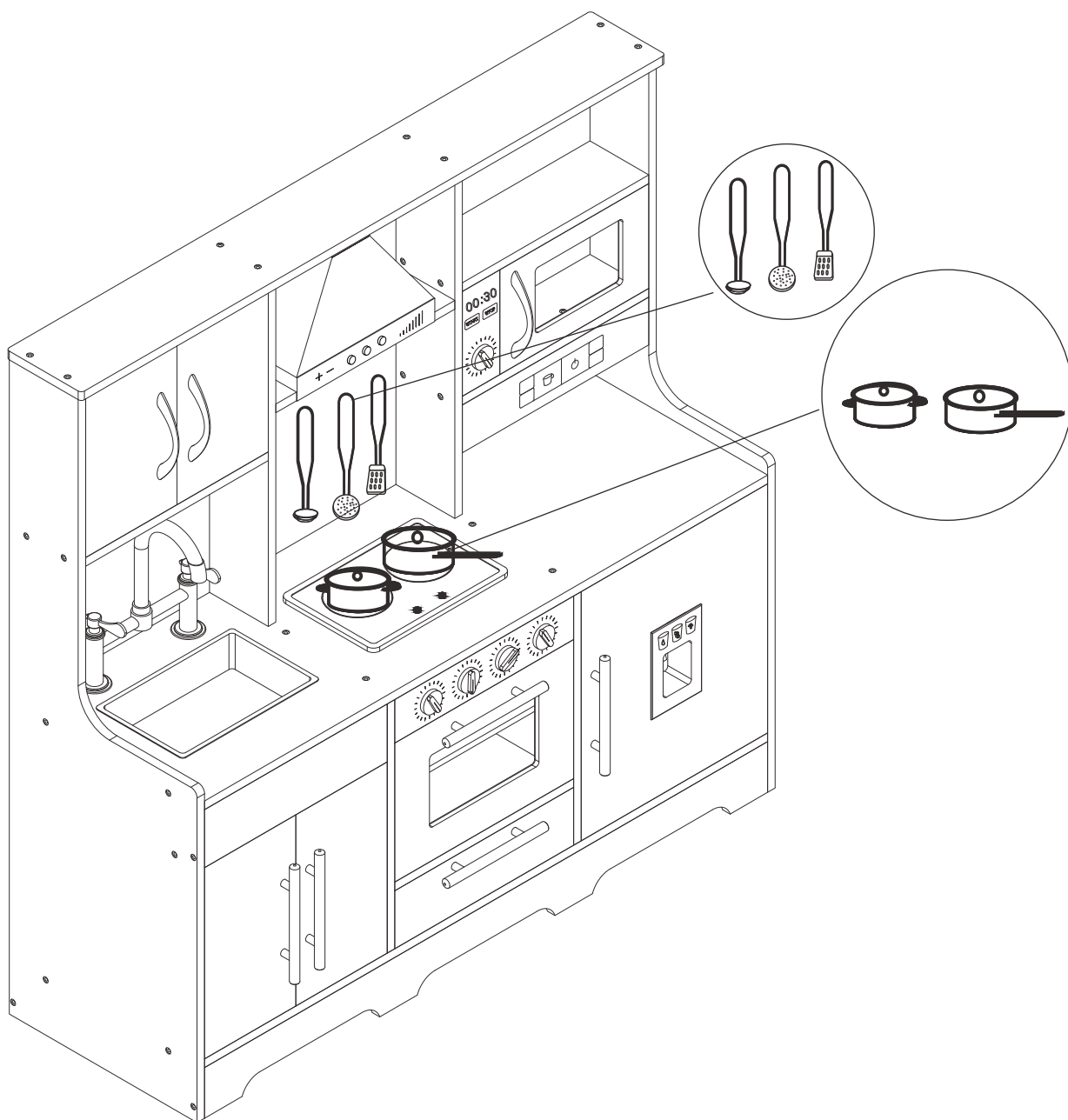
AX1



Need to be installed by 2 person

IMPORTANT INFORMATION:

1. Before installing, please refer to the manual to check each part.
2. If you experience any issue during the installation, please reach out to our service team for assistance: tfservices@163.com



AFTER-SALE SUPPORT

If you have any questions, please contact us via email (tfservices@163.com). We will be happy to serve you and guarantee a 100% satisfactory treatment plan. If you want to know more about Kinder King, please visit our official website: <https://kinderking.store>



tfservices@163.com