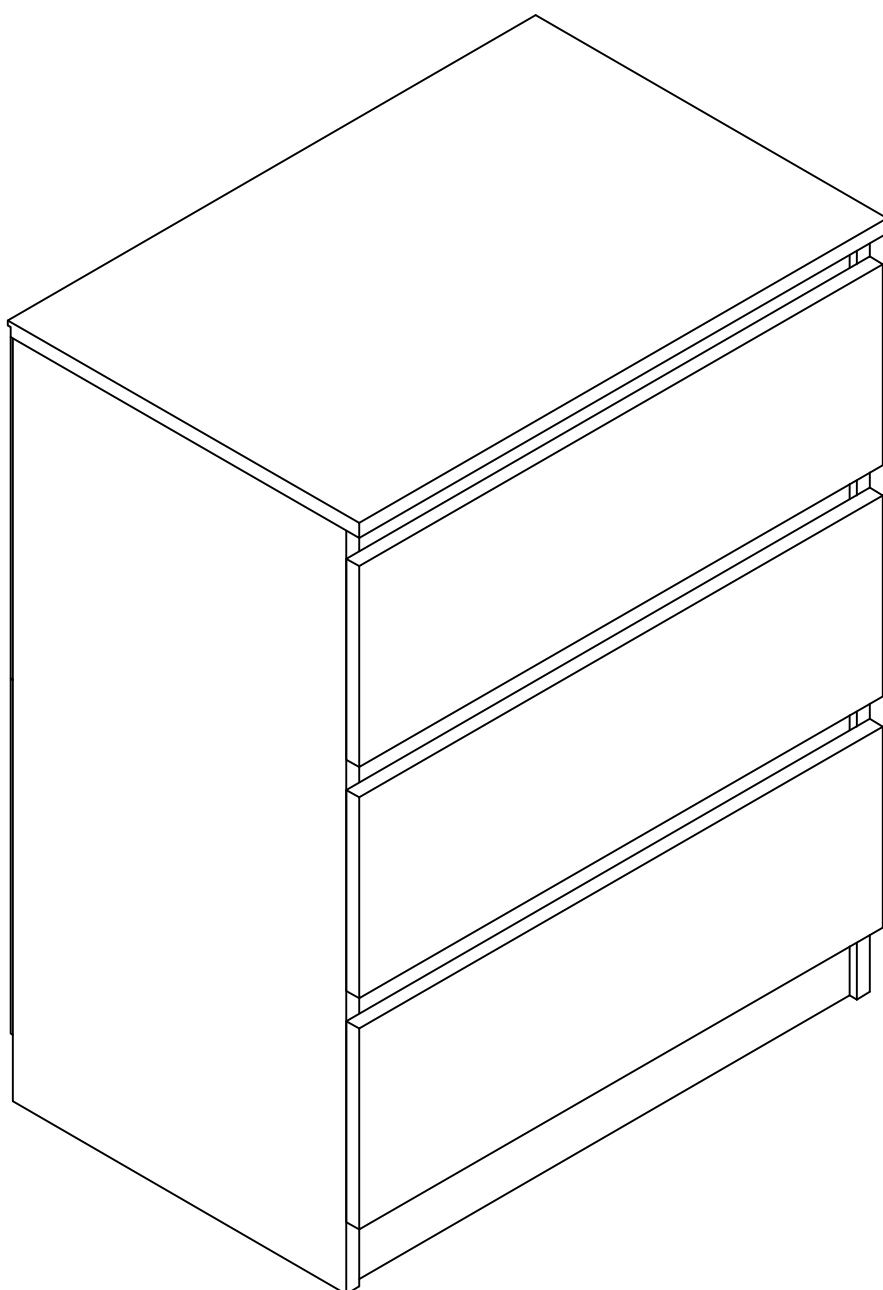


NARVIK 3 DRAWER CHEST

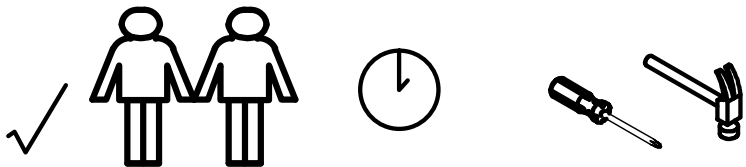
ASSEMBLY INSTRUCTION - Please Keep For Future Reference



Safety and Care Advice

IMPORTANT - Please Read This Instruction Carefully Before Assembly.

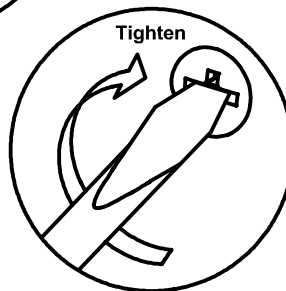
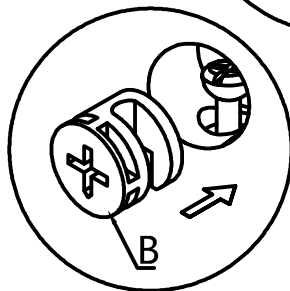
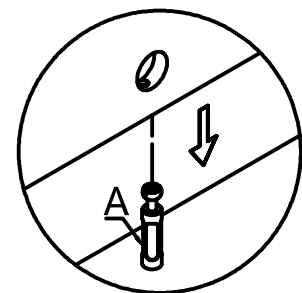
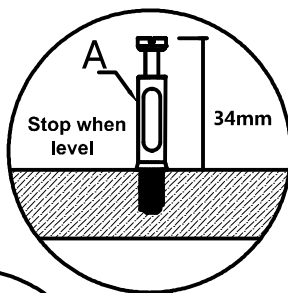
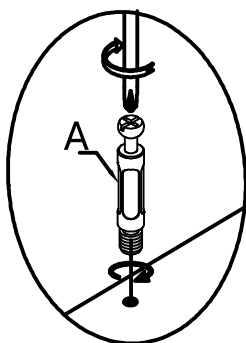
- Check you have all the components and tools listed on page 3.
- Do not stand or put weight on the product, this could cause damage.
- Do not use power drill/drivers for assembly, or the unit may be damaged.
- Remove all settings from the plastic bags and separate them into their groups.
- Assemble the item as close to it's intended position (in the same room) as possible.
- Assemble on a soft level surface to avoid damaging the unit.
- Dispose of all packaging carefully and responsibly.
- Keep children and animals away from the work area, small parts could choke if swallowed.
- Assemble the assembly will be easier with 2 people.
- Make sure you have enough space to layout the parts before assembly.



CARE and MAINTENANCE

- Only clean using a damp cloth and mild detergent, do not use bleach or abrasive cleaners.
- From time to time check that there are no loose screws on this unit.
- This product should not be discarded with household waste. Take to your local authority waste disposal center.

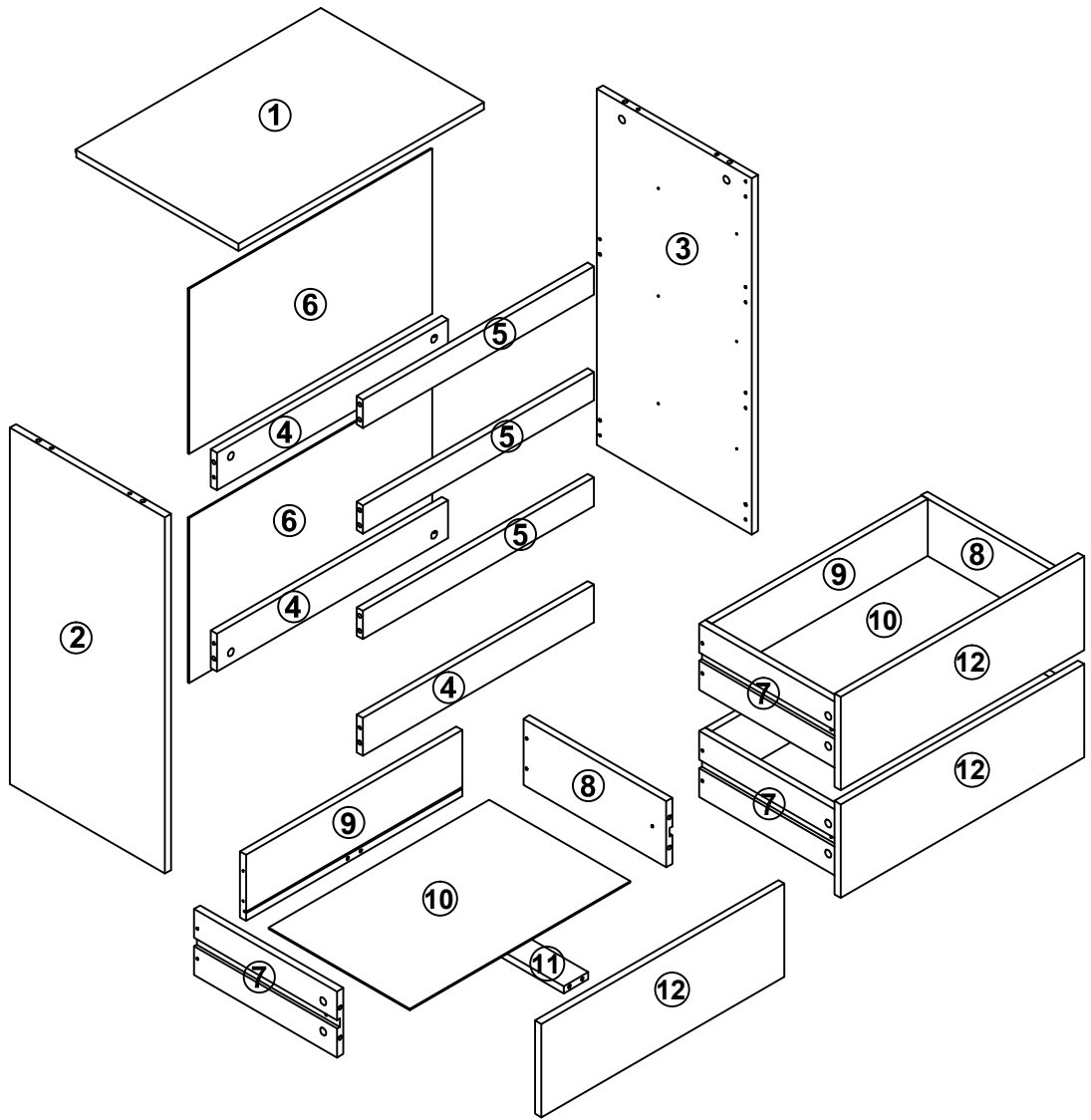
General Hints & Tips

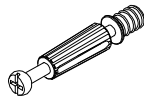
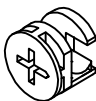
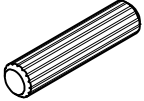




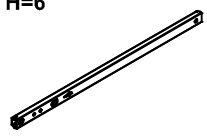



Components and Tools

IMPORTANT - Please Check If You Have All The Components and Tools.

Note: The quantities below are the correct amount to complete the assembly. In some cases more pieces may be supplied than are required.



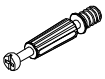
<p>A=34</p>  <p>Peg M6*34mm</p>	<p>B=34</p>  <p>Lock M15*12mm</p>	<p>C=22</p>  <p>Dowel M6*30mm</p>	<p>D=12</p>  <p>Screw M3.5*14mm</p>	<p>E=12</p>  <p>Screw M4*38</p>	<p>F=4</p>  <p>Plastic Feet</p>
<p>G=12</p>  <p>Pin</p>	<p>H=6</p>  <p>Drawer Runner</p>	<p>J=6</p>  <p>Screw M4*12mm</p>			

Assembly Instruction

Step 1

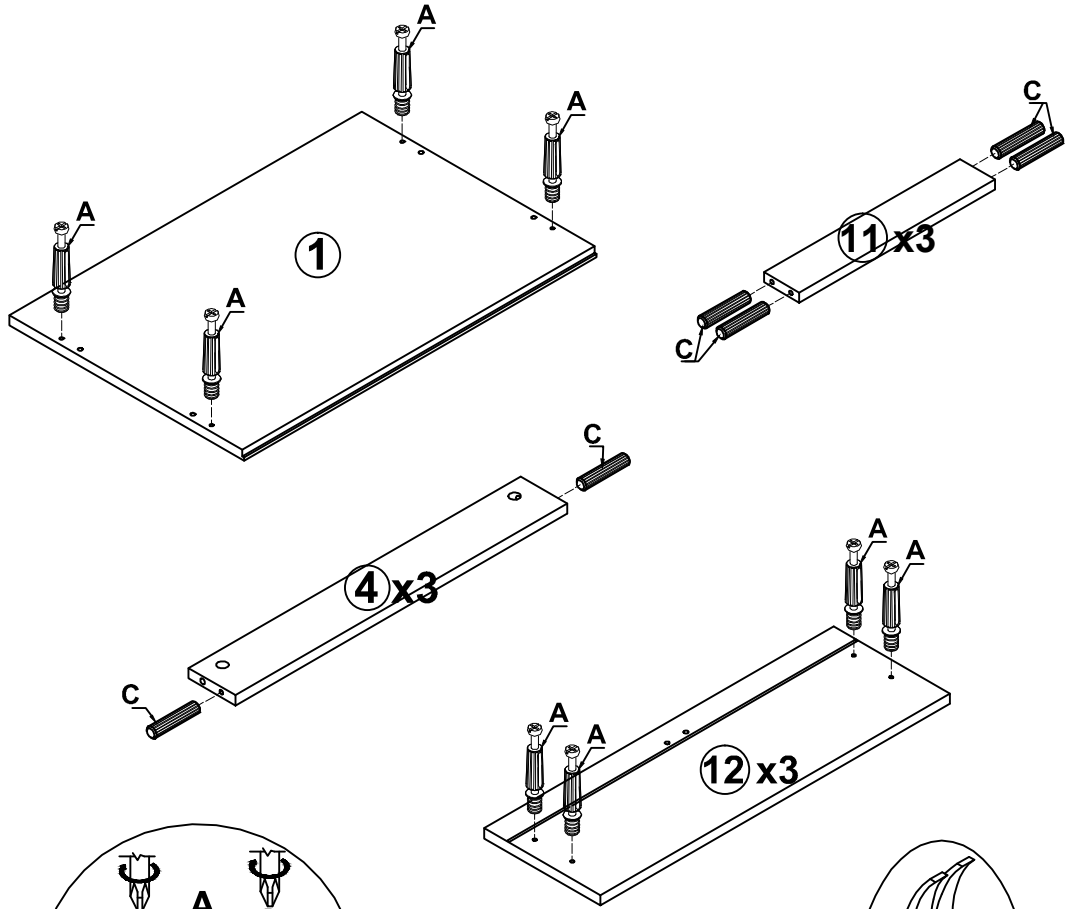
A=16

C=18



Peg

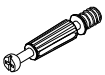
Dowel



Step 2

A=9

C=2



Peg

Dowel

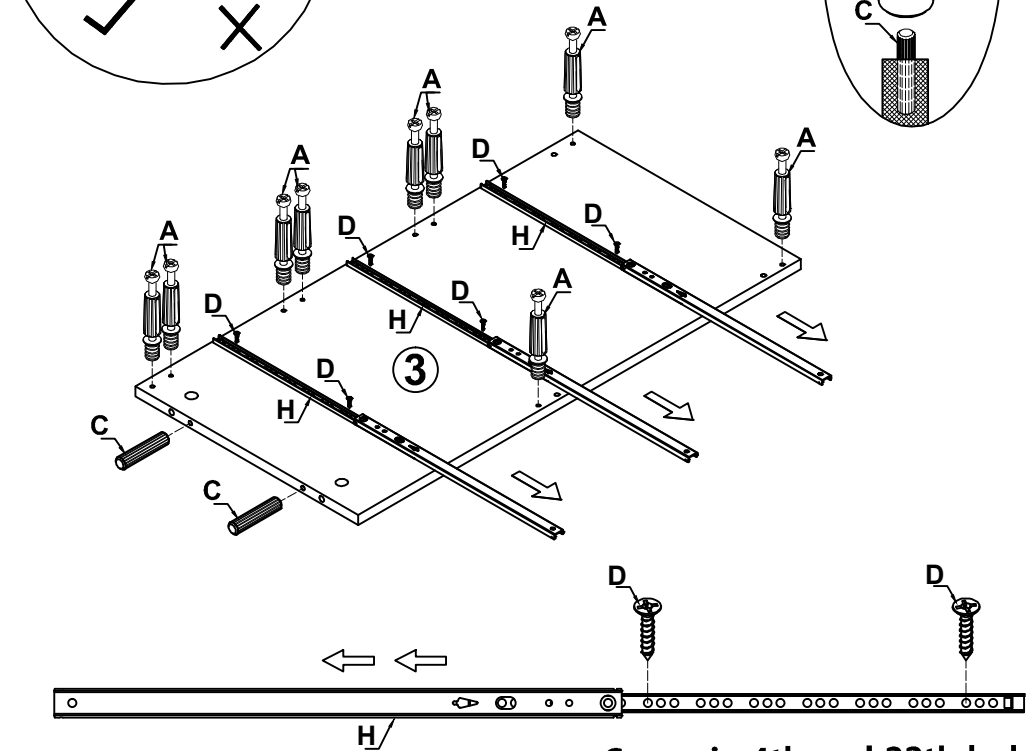
H=3

D=6



Drawer
Runner

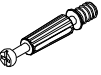



Screw
M3.5*14mm

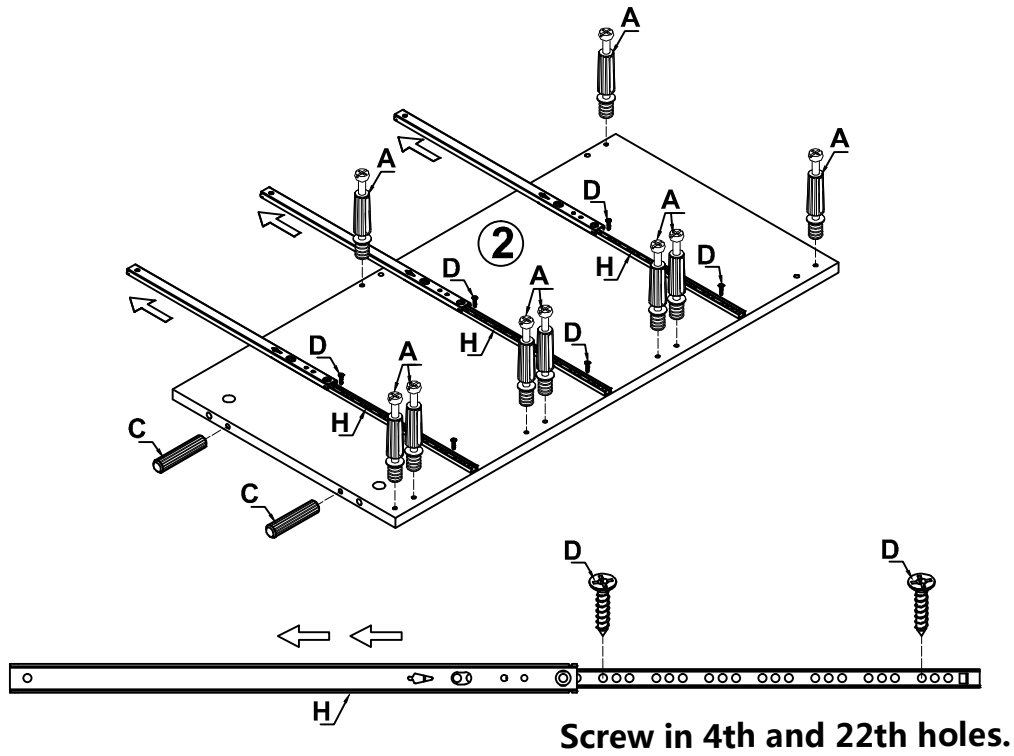


Screw in 4th and 22th holes.

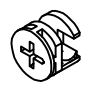
Assembly Instruction

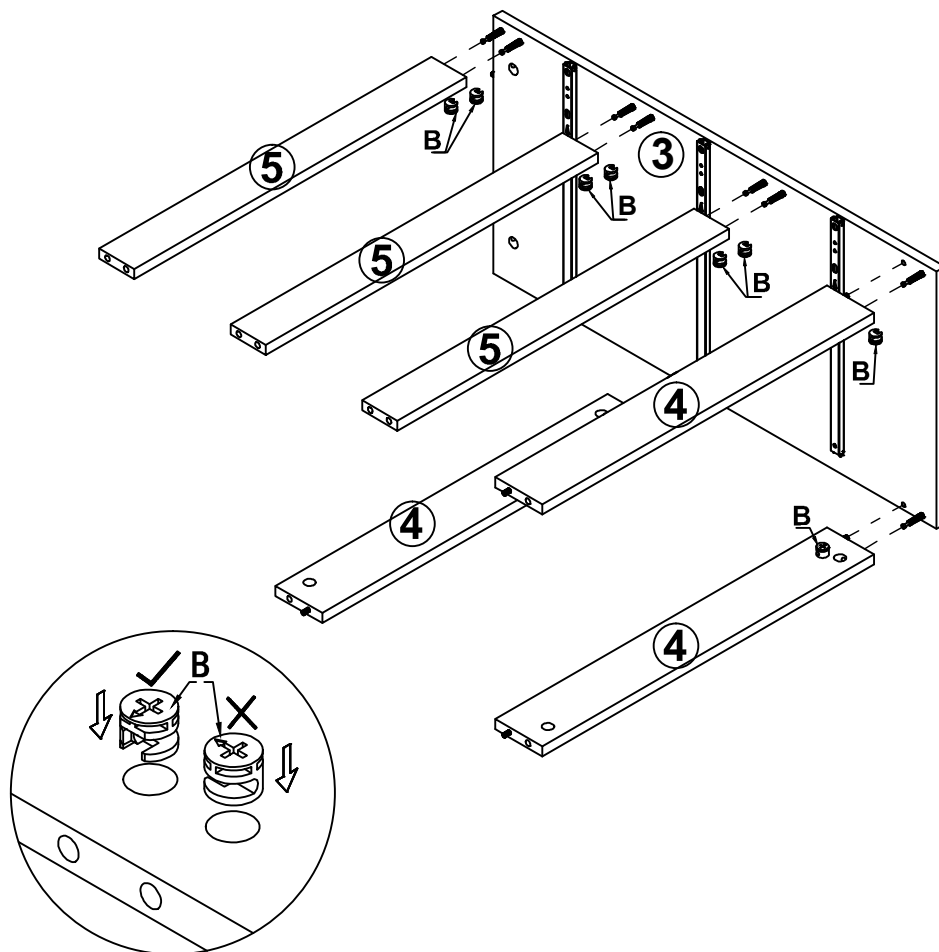
Step 3

A=9	C=2
	
Peg	Dowel
H=3	D=6
	
Drawer Runner	Screw M3.5*14mm



Step 4

B=9	
	
Lock	



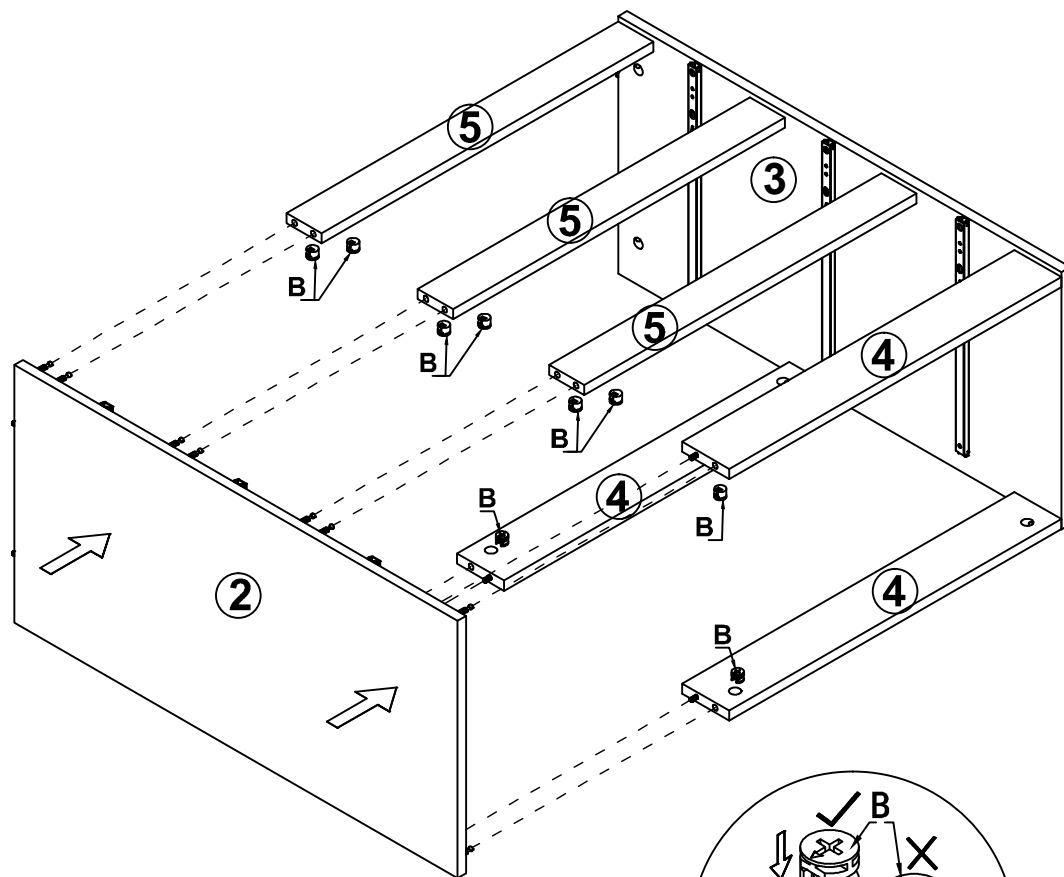
Assembly Instruction

Step 5

B=9



Lock

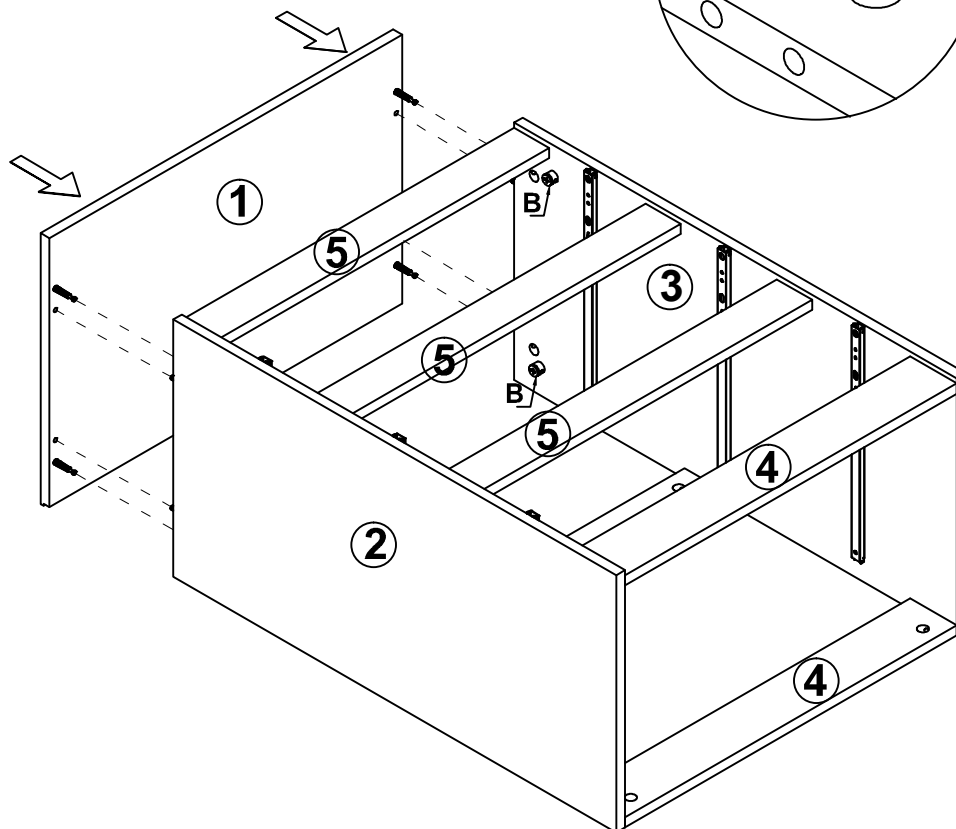


Step 6

B=4



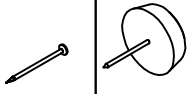
Lock



Assembly Instruction

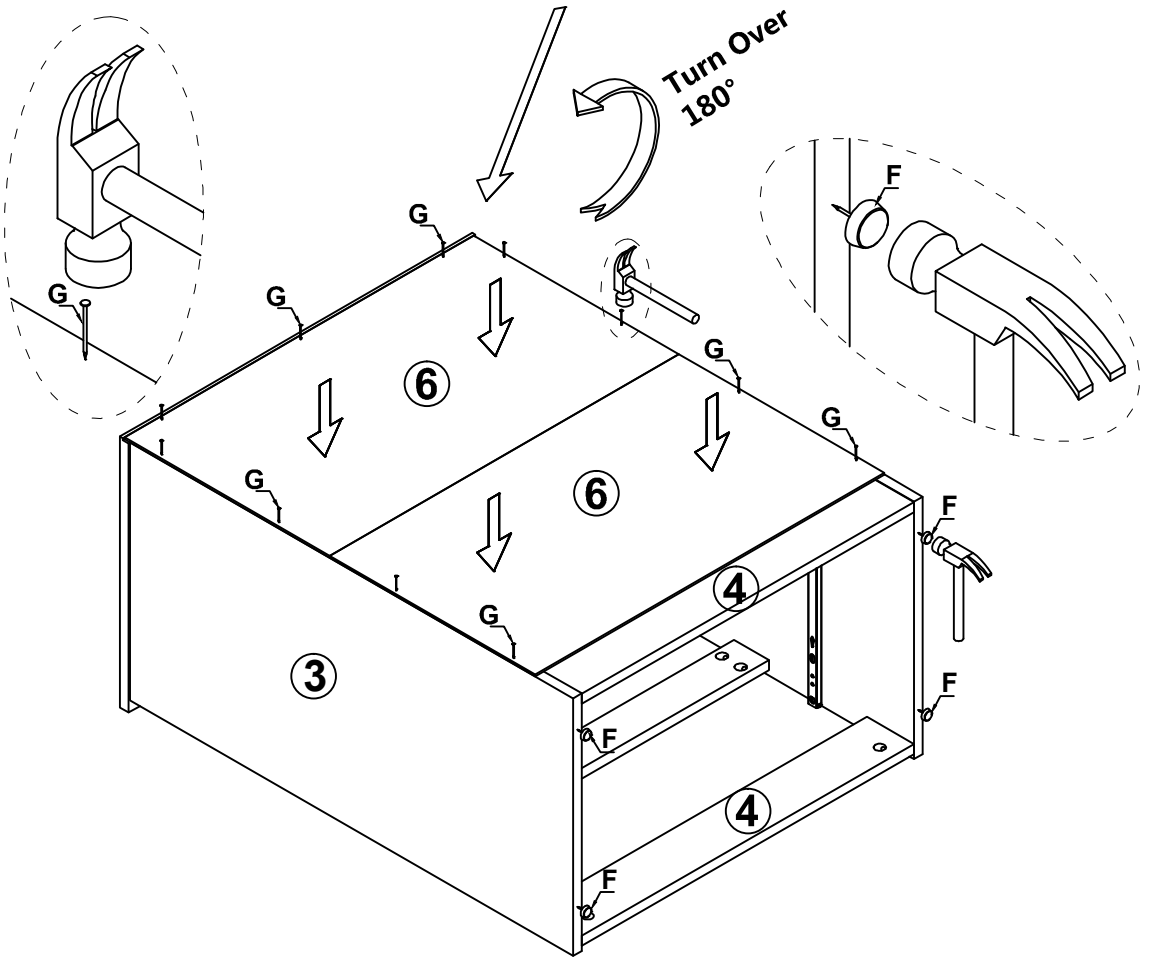
Step 7

G=11 F=4



Pin

Plastic Foot

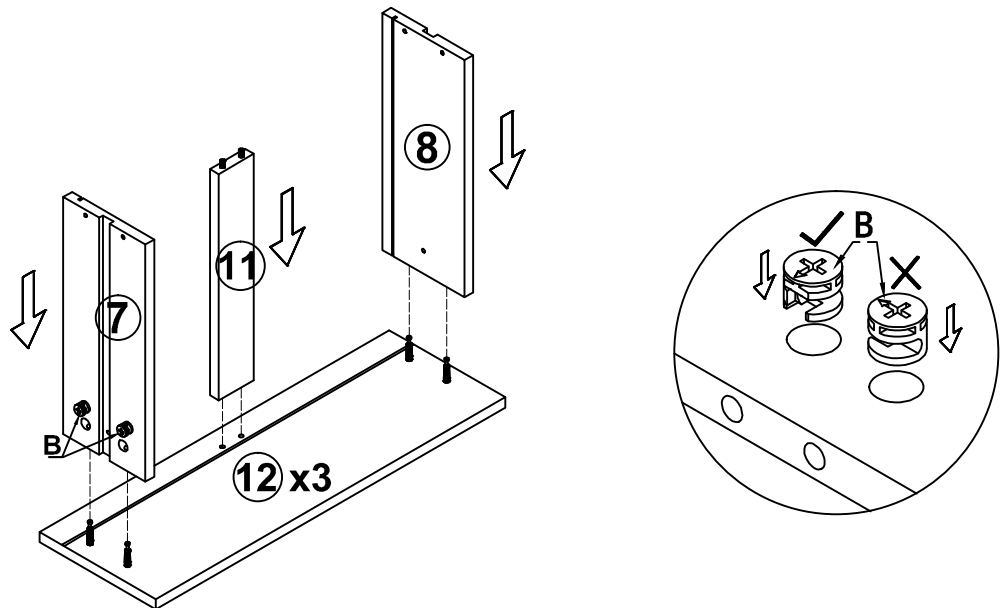


Step 8

B=12



Lock



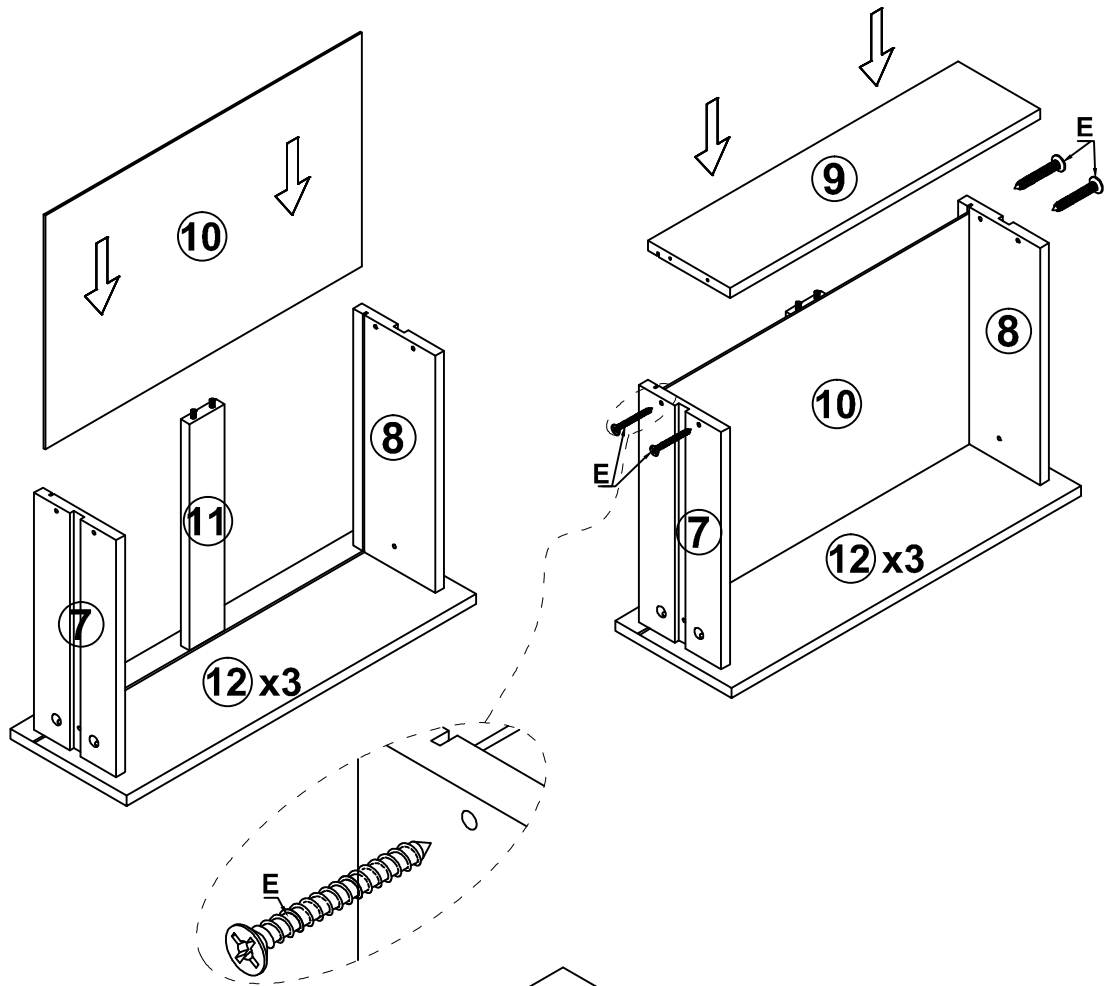
Assembly Instruction

Step 9

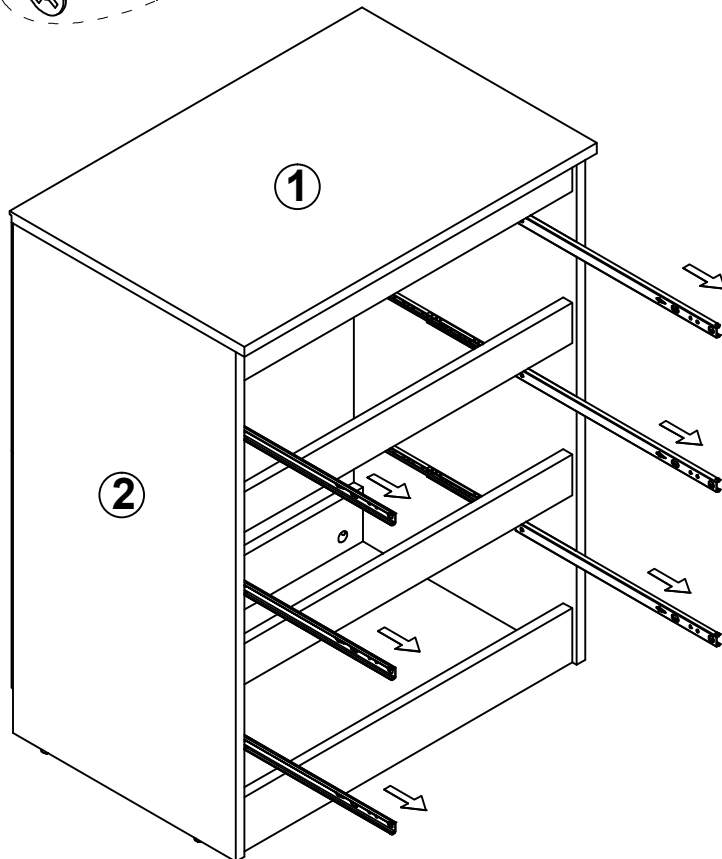
E=12



Screw
M4*38

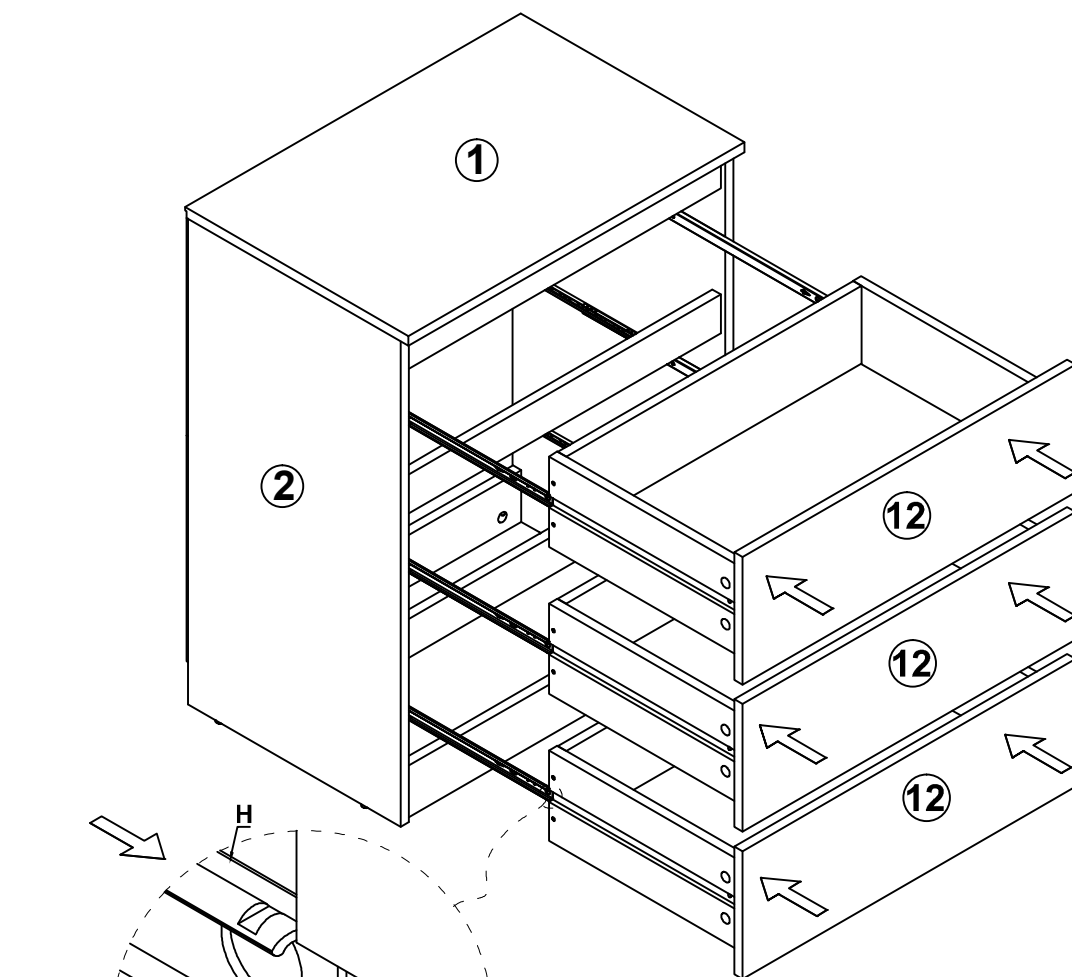


Step 10



Assembly Instruction

Step 11

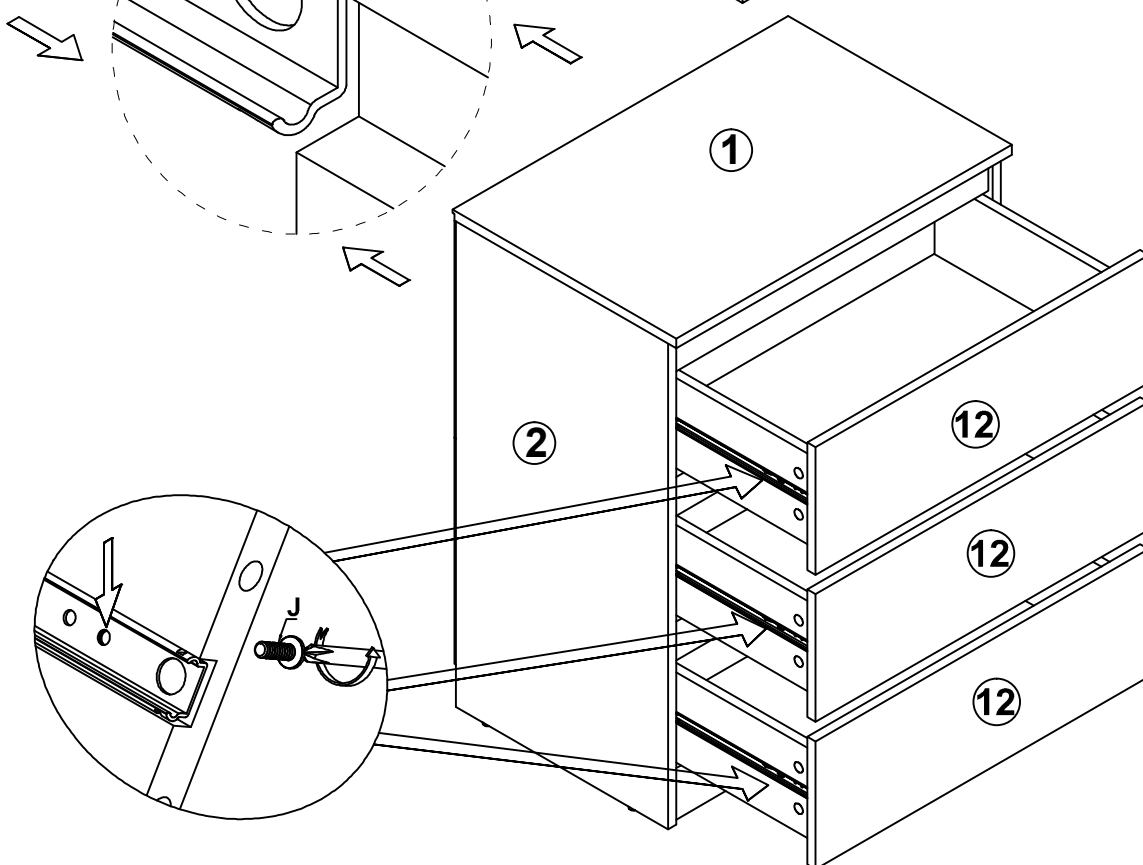


Step 12

J=6

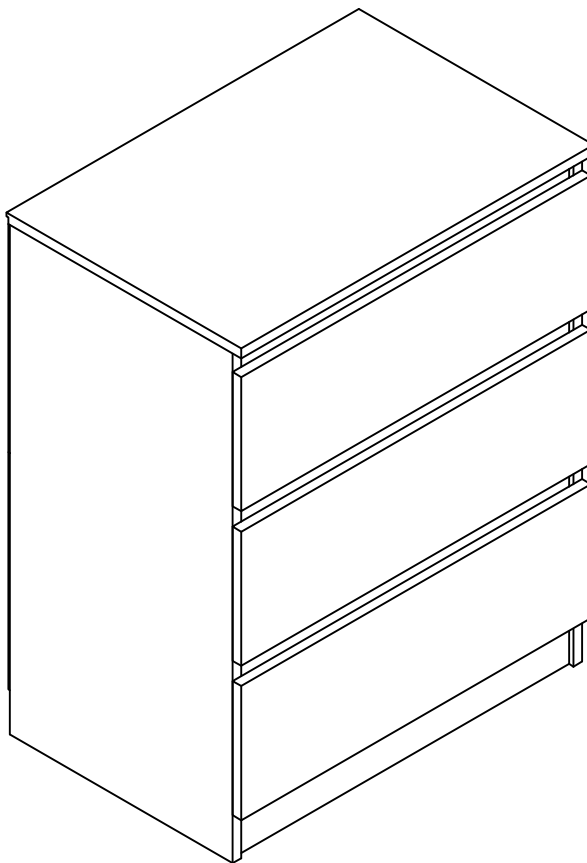


Screw
M4*12mm



Assembly Instruction

Step 13



OK