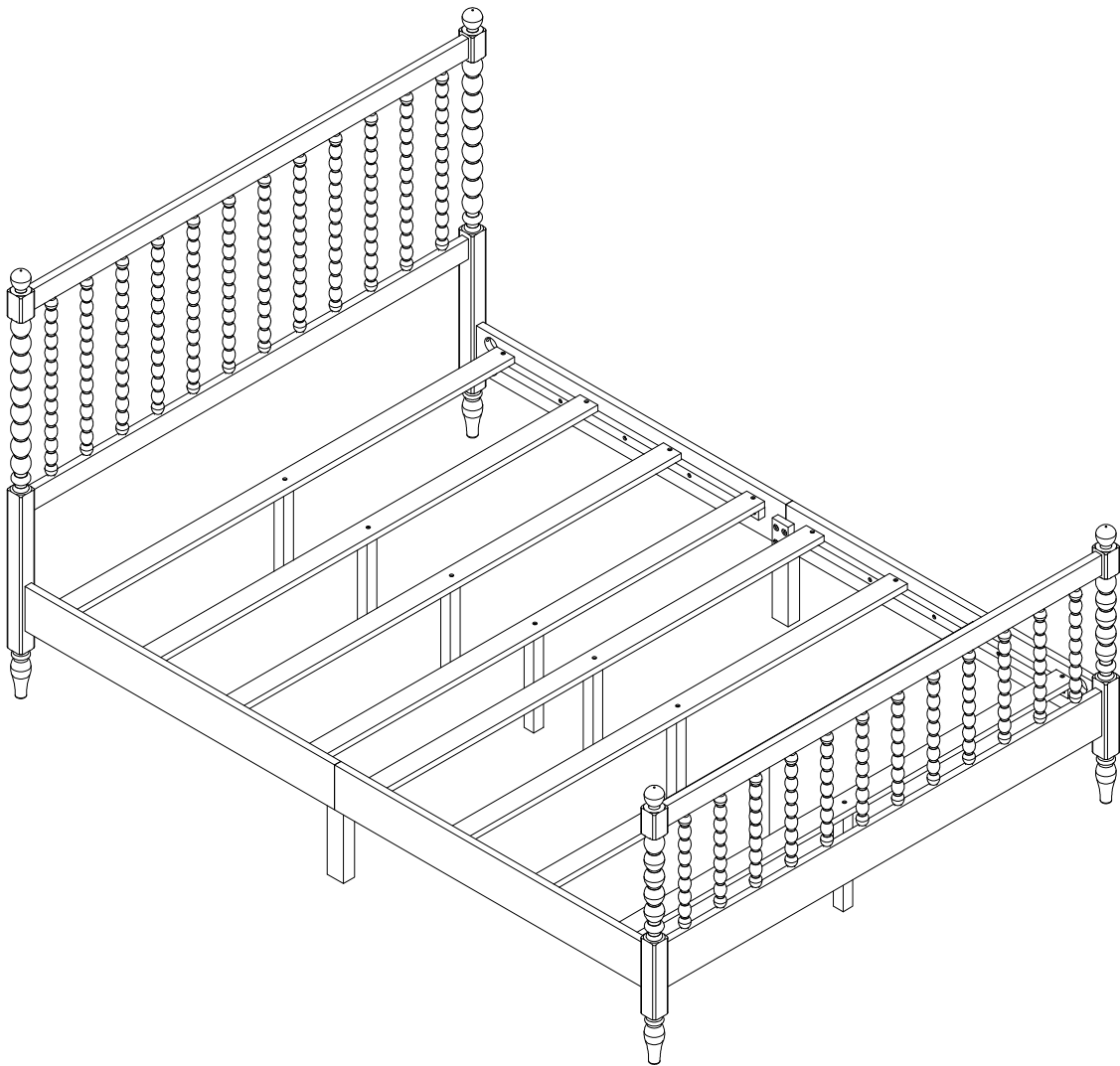


ASSEMBLY INSTRUCTIONS

FULL BED



This set is included 1 boxes if don't receive full 1 boxes please contact our customer service team.

WF315643

SAFETY WARNINGS AND GENERAL NOTES

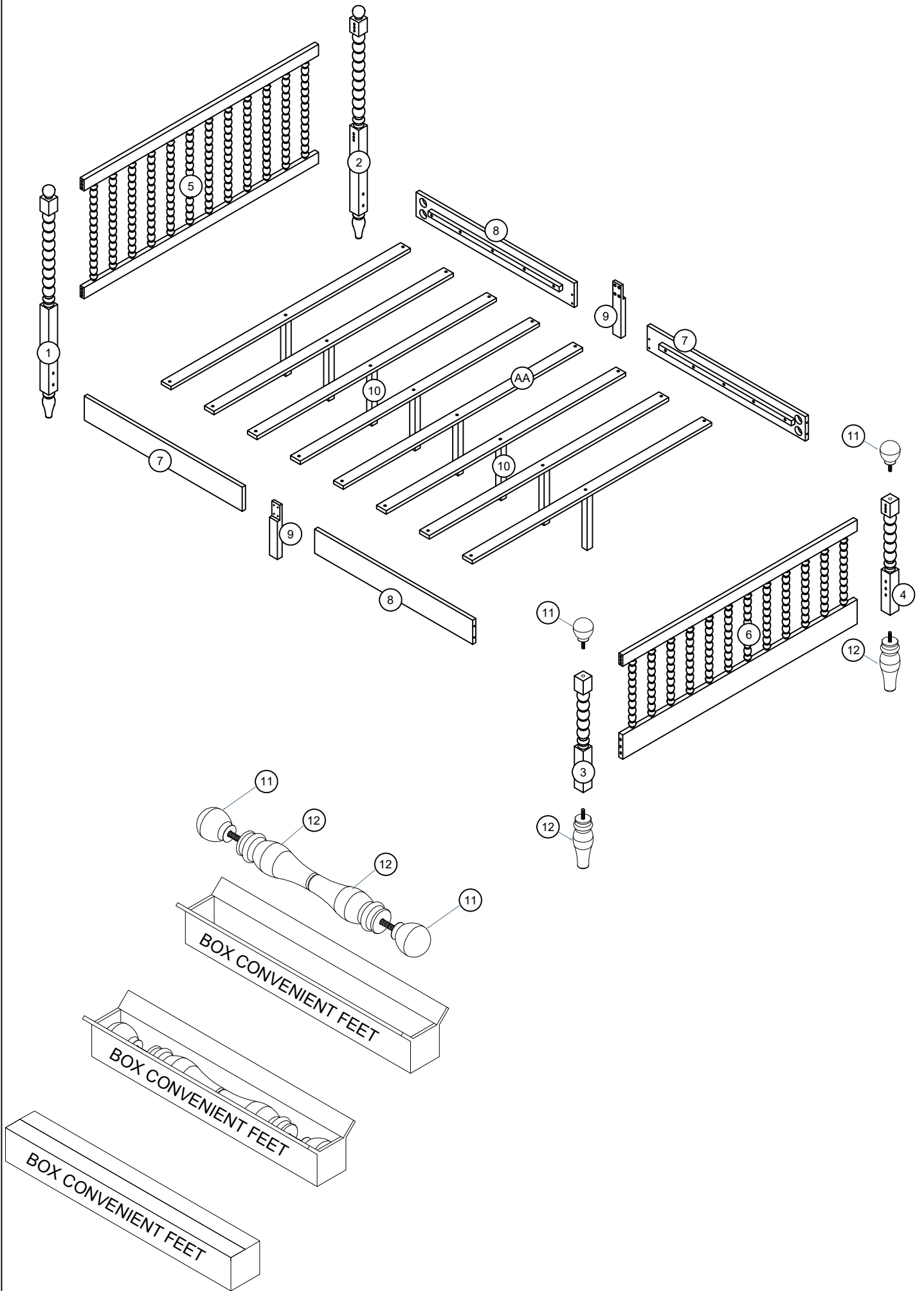
1. Follow the information on the warnings on the bunk bed end structure and on the carton. Do not remove the warning label from the bed
2. Always use the recommended size mattress on mattress support, or both, to help prevent the likelihood of entrapment or falls
3. Do not allow children under 6 years of age to use the upper bunk
4. Periodically check and ensure the guardrail, ladder and other components are in their proper position, free from damage, and all connectors are tight
5. Do not allow horseplay on or under beds.
6. Always prohibit jumping on the bed
7. Prohibit more than one person on upper bunk.
8. Always use the ladder for entering and leaving the upper bunk.
9. Do not use substitute parts. Contact the manufacturer or dealer for replacement parts.
10. Use of a night-light may provide added safety precaution for a child using the upper bunk.
11. Always use guardrails on both long sides of the upper bunk.
12. If the bunk bed will be placed next to a wall, the guardrail that runs the full length of the bed should be placed against the wall to prevent entrapment between the bed and the wall.
13. The use of water or sleep flotation mattresses is prohibited
14. STRANGULATION HAZARD- Never attach or hang items to any part of the bunk bed that are not designed for use with the bed.
15. Keep these instructions for future reference.
16. We recommend assembling your bunk bed on the shipping carton to protect your floor or carpet.
17. Be certain all staples are out of the box before beginning assembly on the shipping carton.
18. USE ONLY MATTRESSES WHICH ARE AS THE TABLE BELOW ON UPPER AND ON

Down bed

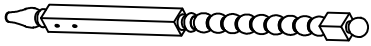
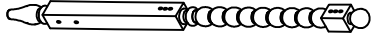


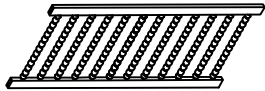
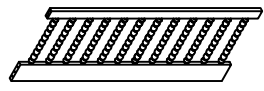


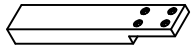
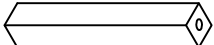


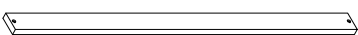
Bed type	Length	Width	Thickness
Twin Standard	74" – 75"	54 1/2 "	8" max

19. SURFACE OF MATTRESS MUST BE AT LEAST 5" (127MM) BELOW THE UPPER EDGE OF GUARDRAILS.
20. Replacement Parts, including additional guardrails, may be obtained from any of our CARBRO FLAVOR (U.S.A.), LLC dealers;







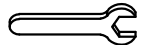


Detail View



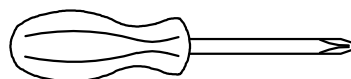
Part List :

1  Left leg of the head of the bed - 1pc	2  Right leg of the head of the bed -1pc	3  Left leg of the Foot of the bed - 1pc
4  Right leg of the Foot of the bed -1pc	5  Headboard Frame Assembly -1pc	6  Bed end frame -1pc
7  Shoulder Bed- 2pcs	8  Shoulder Bed- 2pcs	9  Middle Leg-2pcs
10  Center rail leg - 8pcs	11  Head and Feet Convenient- 2pcs	12  Lower Handle- 2pcs
AA  Slat- 8pcs		

Hardware List



A  Ø 8 x 30mm Wood dowel =16pcs	B  Ø1/4" x 60mm Hex-Head bolt =16pcs	C  Metal Crescent Washer=16pcs
D  Ø1/4" x 25mm Hex-Head bolt=16pcs	E  Nut washers=16pcs	F  Spring washers Ø10 =16pcs
G  Wrench=1pc	H  #4 x 30mm Screw=16pcs	I  K4mm Allen key (1pc)

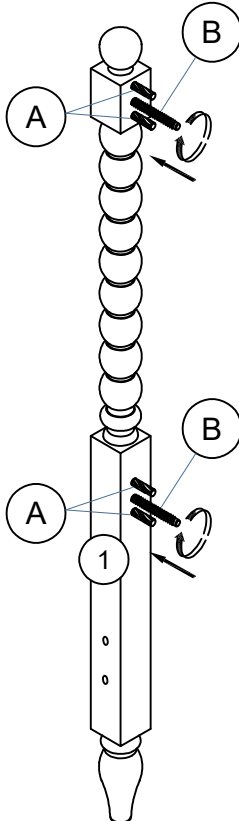
ASSEMBLY TOOLS REQUIRED (NOT INCLUDED)





PLEASE BE CAREFUL DO NOT DAMAGE THE HOLE POSITION WHEN YOU USE POWER TOOLS !

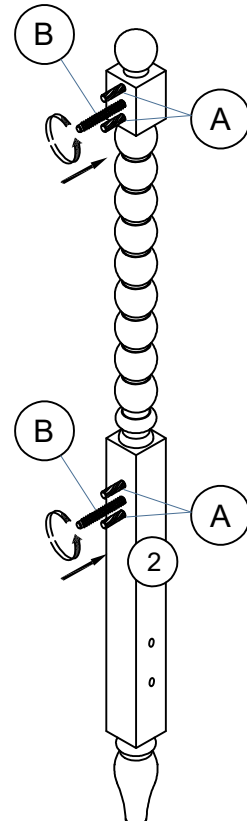
STEP 1:

A		B	
4PCS		2PCS	




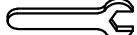


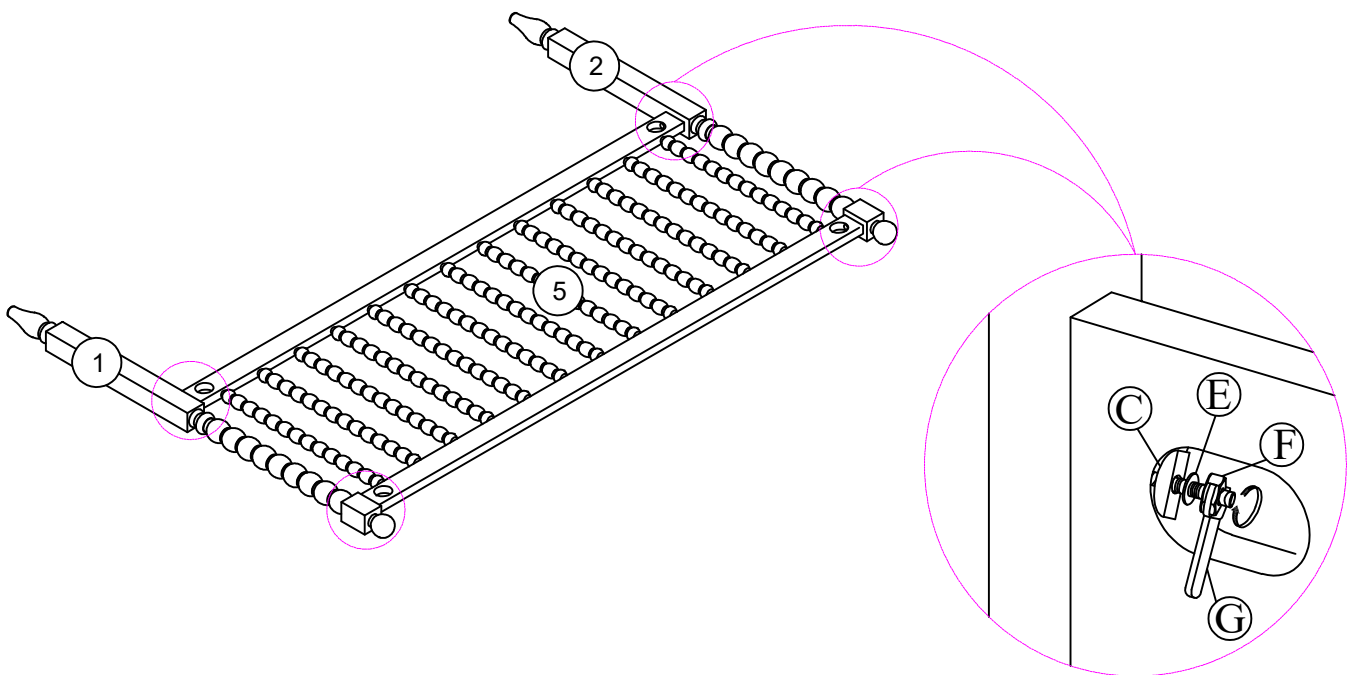
STEP 2:

A		B	
4PCS		2PCS	

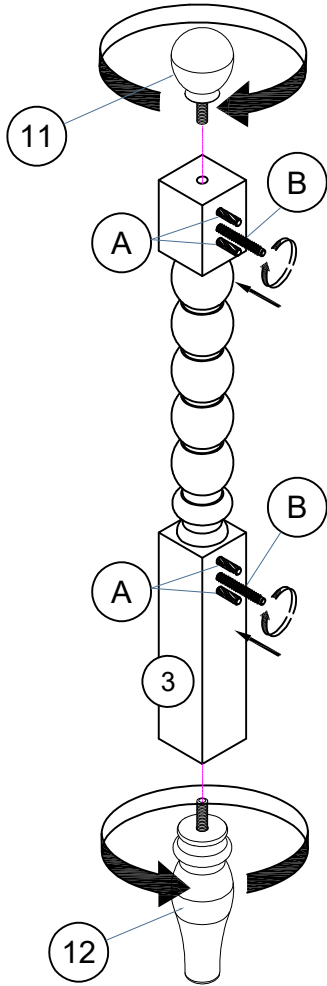


STEP 3:

C		E		F		G	
4PCS		4PCS		4PCS		1PC	



STEP 4:



A



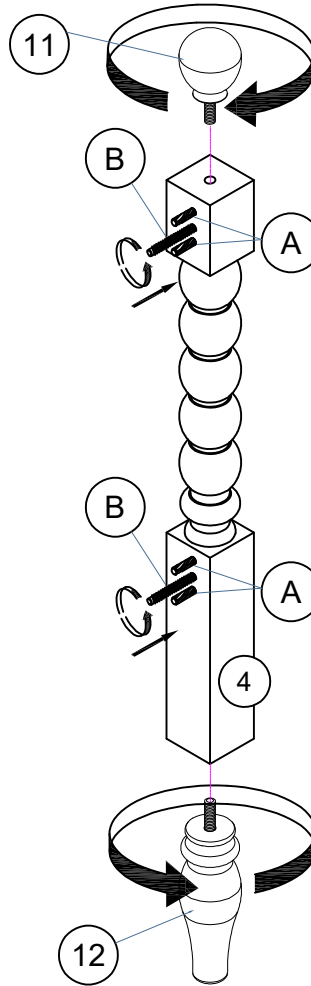
4PCS

B



2PCS

STEP 5:



A



4PCS

B



2PCS

STEP 6:

C



4PCS

E



4PCS

F

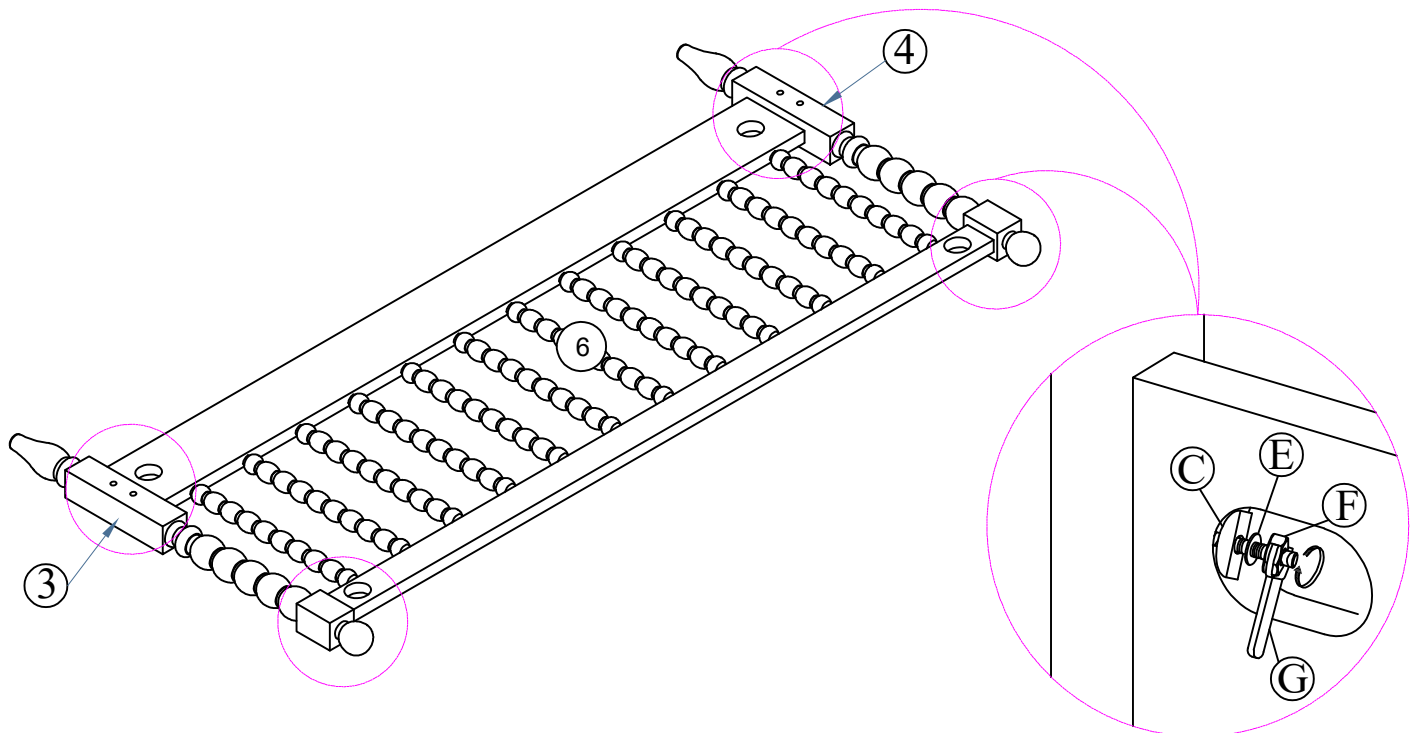


4PCS

G



1PC

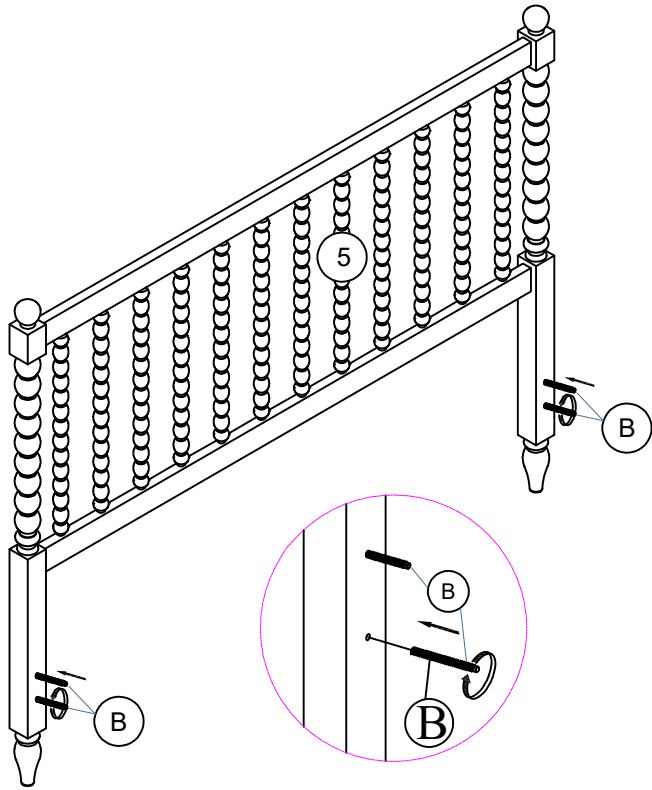


STEP 7:

B



4PCS

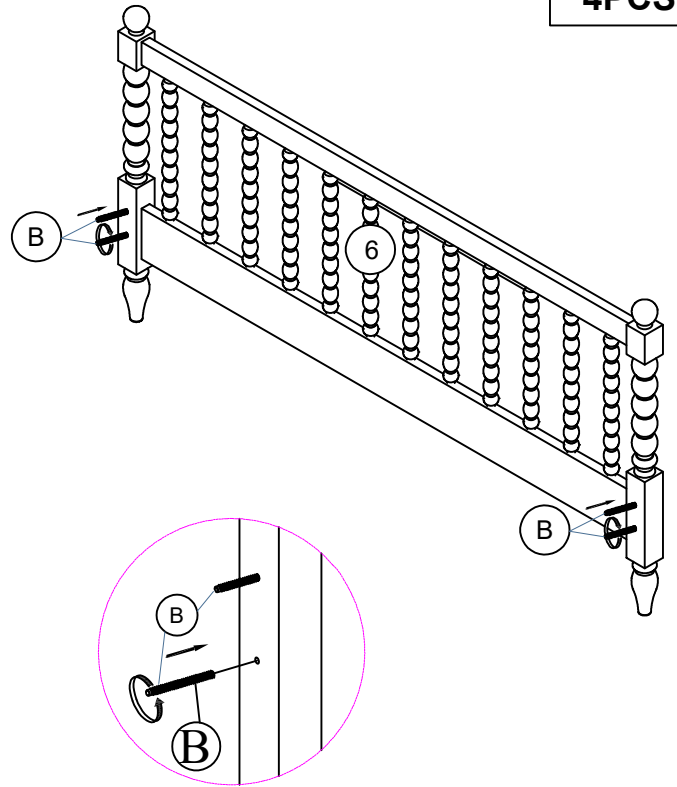


STEP 8:

B



4PCS



STEP 9:

I

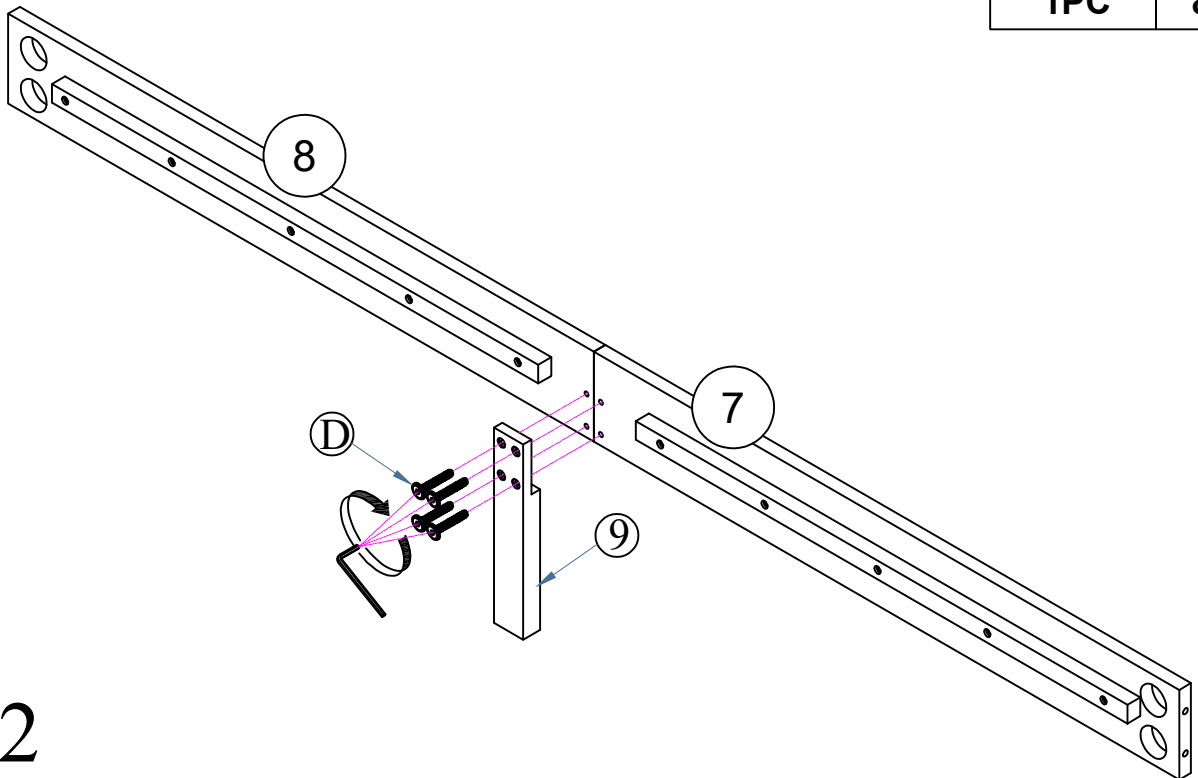


1PC

D

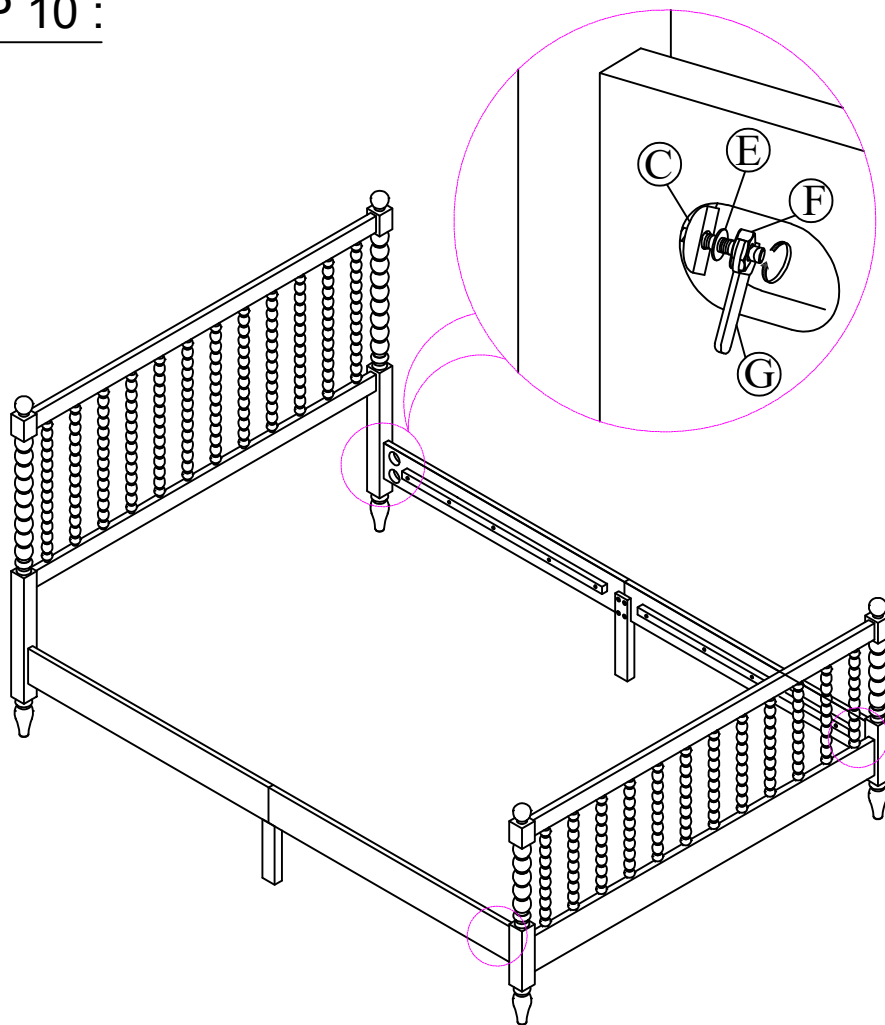



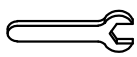
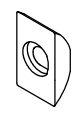

8PCS



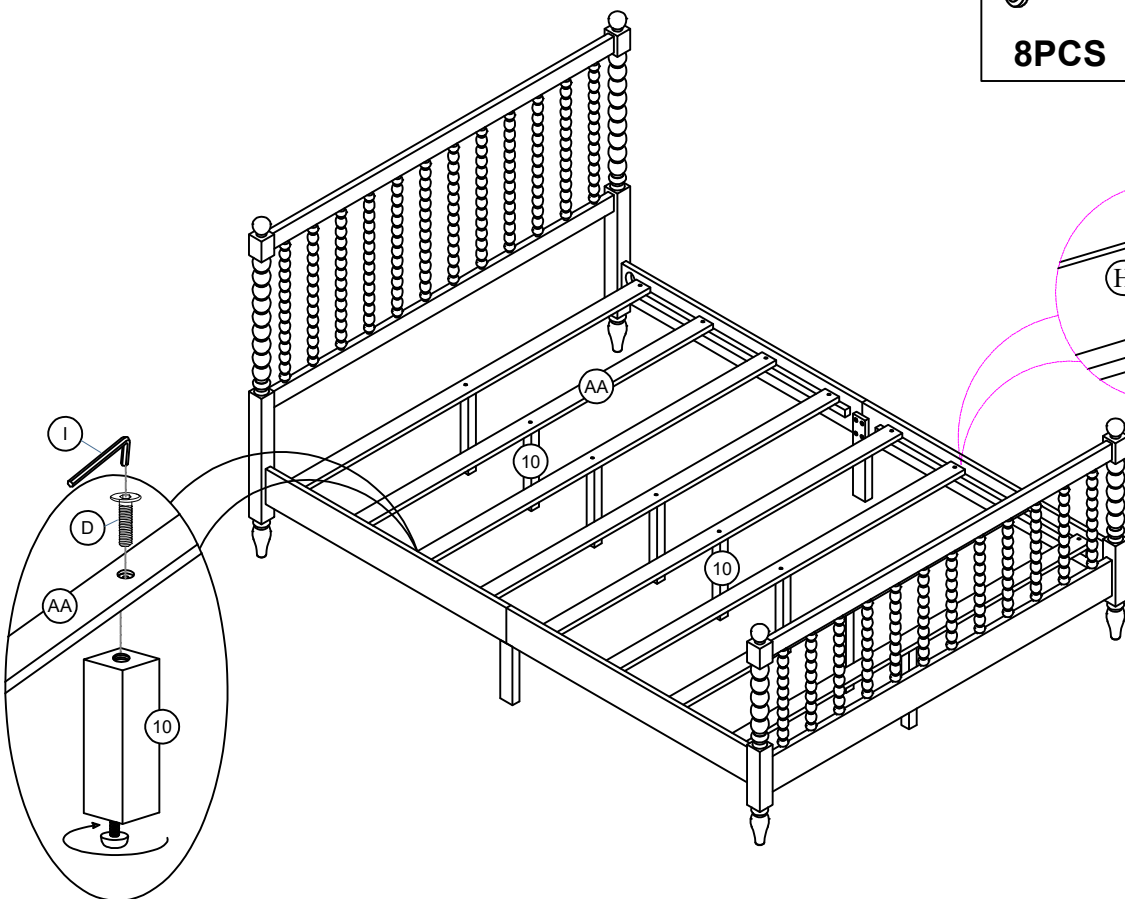
X2

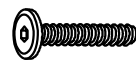


STEP 10 :



F  8PCS	G  1PC
C  8PCS	E  8PCS

STEP 12:



D  8PCS	H  16PCS	I  1PCS
---	--	---