

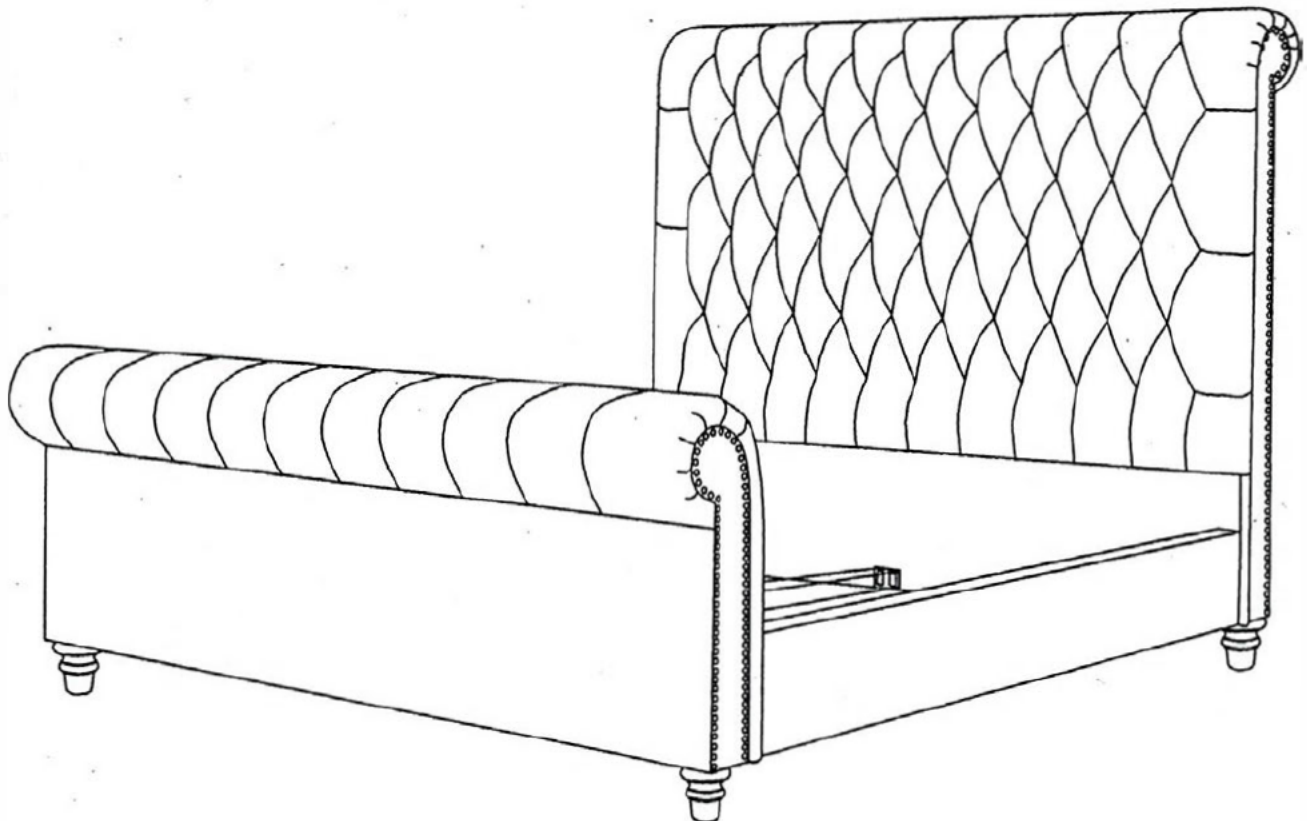
ASSEMBLY INSTRUCTION

IMPORTANT NOTE:

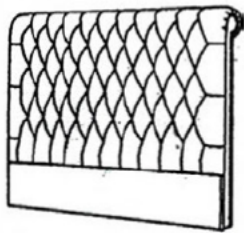
****PLACE ALL PARTS ON A CLEAN AND SMOOTH SURFACE SUCH AS A RUG OR CARPET TO AVOID THE PARTS FROM BEING SCRATCHED**

****BEFORE YOU BEGIN, KINDLY FOLLOW THE ASSEMBLY INSTRUCTIONS STEP BY STEP.**

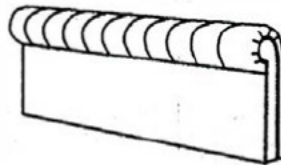
****DO NOT TIGHTEN ALL SCREWS UNTIL THE BED IS FULLY SET-UP.**



PARTS AND HARDWARE



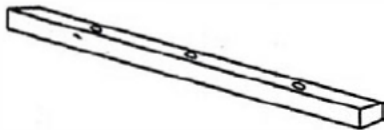
A-Head Board (1pc)



B-Foot Board (1pc)



C-Side Rails (2pcs)



D-Center Rail (1pc)



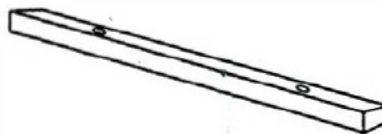
E - Centre Rail Support Leg (3pcs)



Q - Slat Support Leg (10pcs)



F-Legs (4pcs)



G-Slats (5pcs)



H-No Slip Mat (4pcs)



M8*35

I -Bolt (21pcs)



J-Allen Key (1pc)



K-Spring Washer (8pcs)



L-Flat Washer (21pcs)



8*1

M -Screw (4pcs)



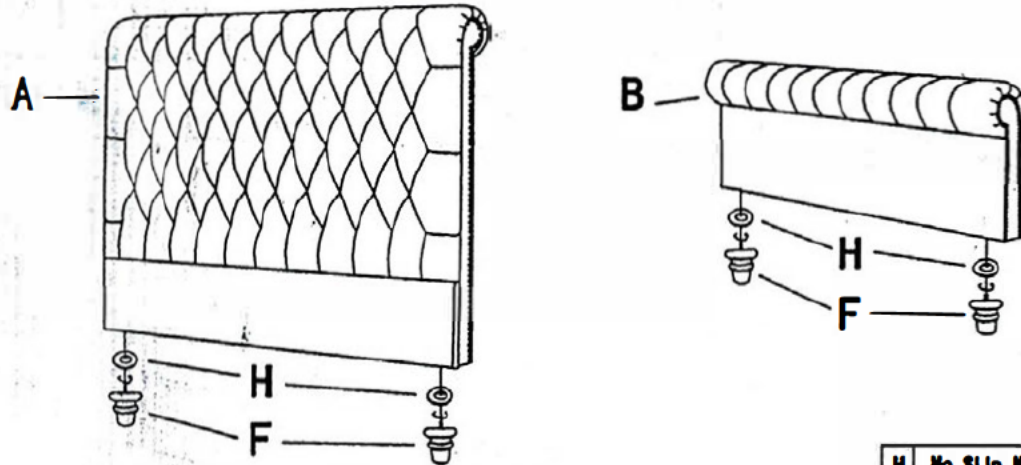
8*1-1/2

N-Screw (10pcs)

ASSEMBLY INSTRUCTIONS

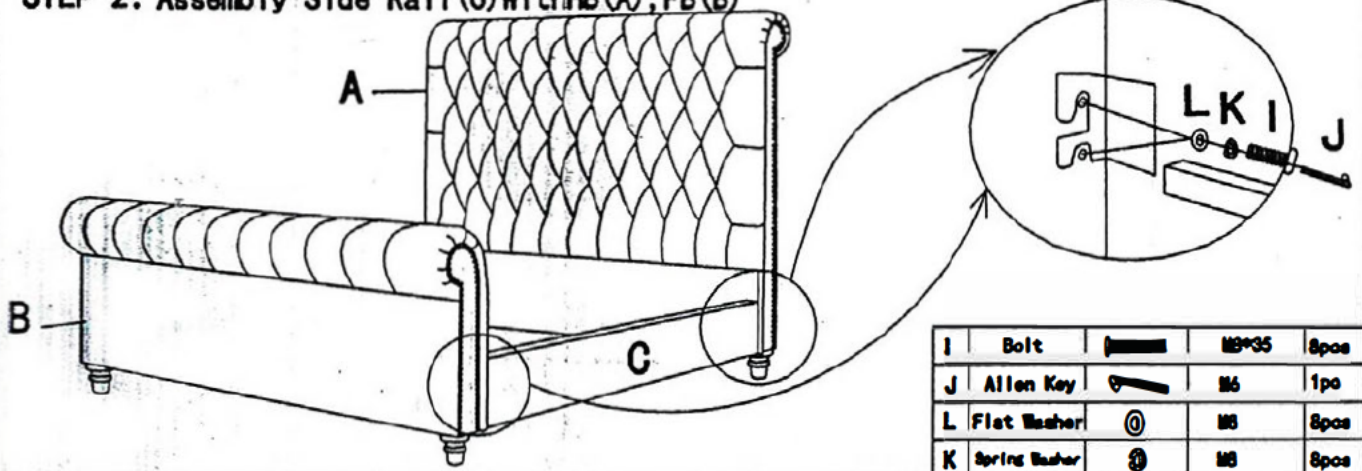
Item No: JC100/EK/CK

STEP 1: Assembly HB(A), FB(B) with Legs (F)



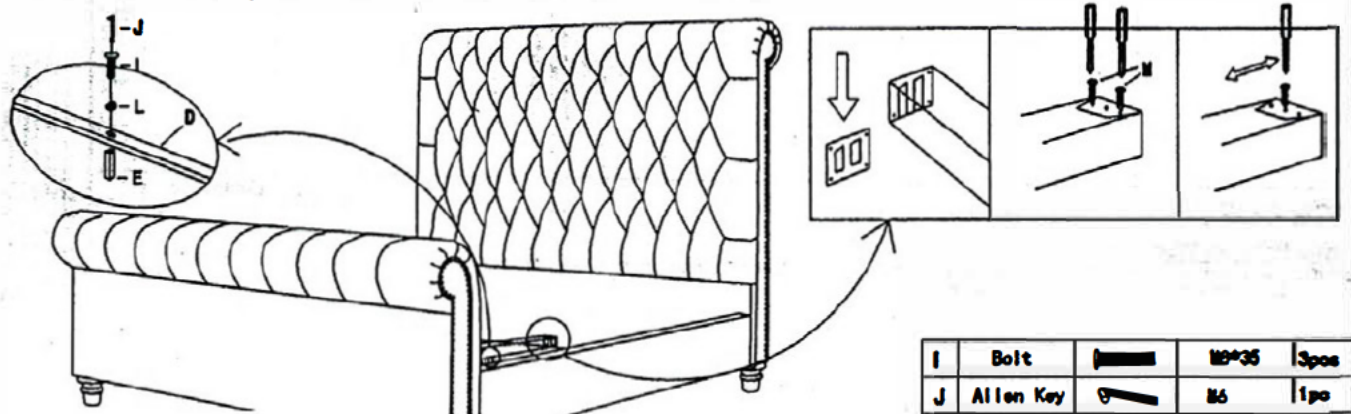
H	No Slip Nut	⊙	M35	4pcs
---	-------------	---	-----	------

STEP 2: Assembly Side Rail (C) with HB(A), FB(B)



I	Bolt		M3*35	8pcs
J	Allen Key		M6	1pc
L	Flat Washer	⊙	M6	8pcs
K	Spring Washer	⊙	M6	8pcs

STEP 3: Assembly Center Rail (C) with HB(A), FB(B)

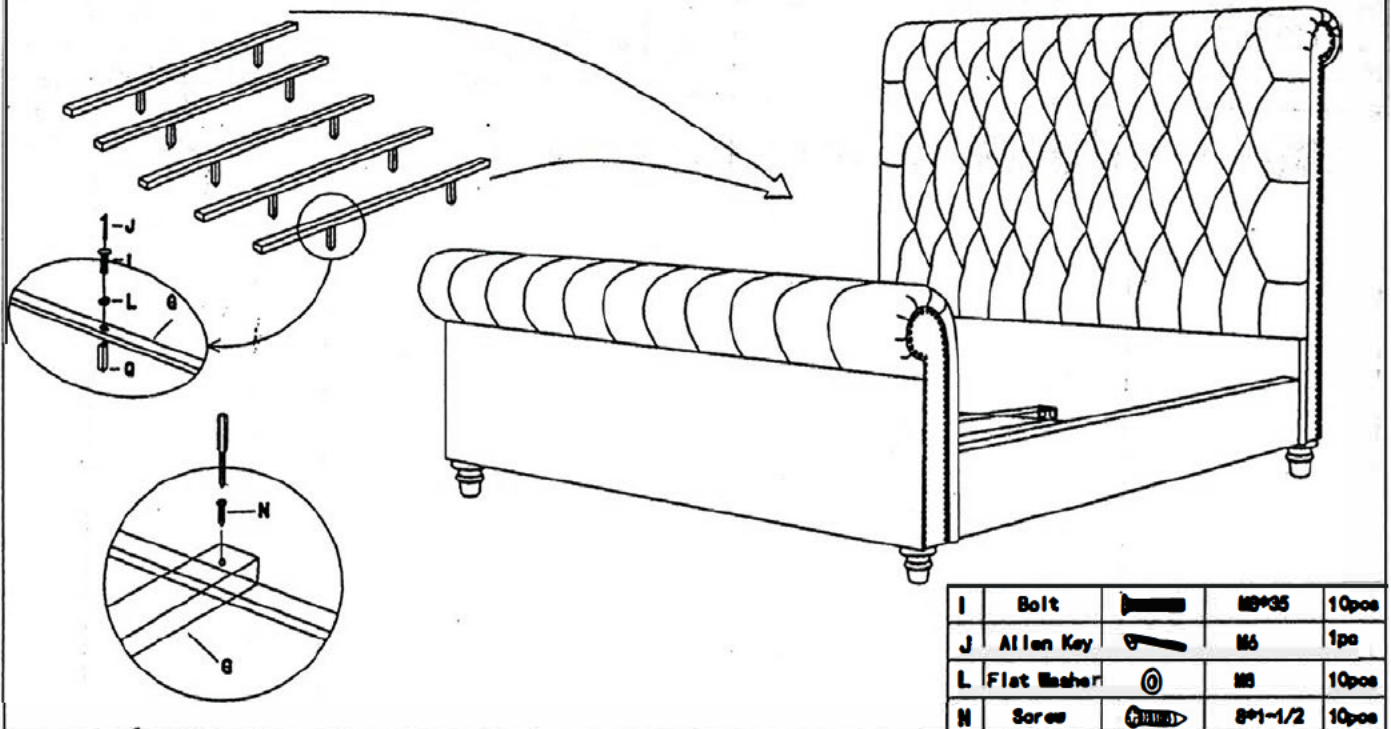


I	Bolt		M3*35	3pcs
J	Allen Key		M6	1pc

ASSEMBLY INSTRUCTIONS

Item No: JC100/EK/CK

STEP 4: Assembly Slat (G) With Side Rail (C)



STEP 5: Completed assembly for a regular bed

