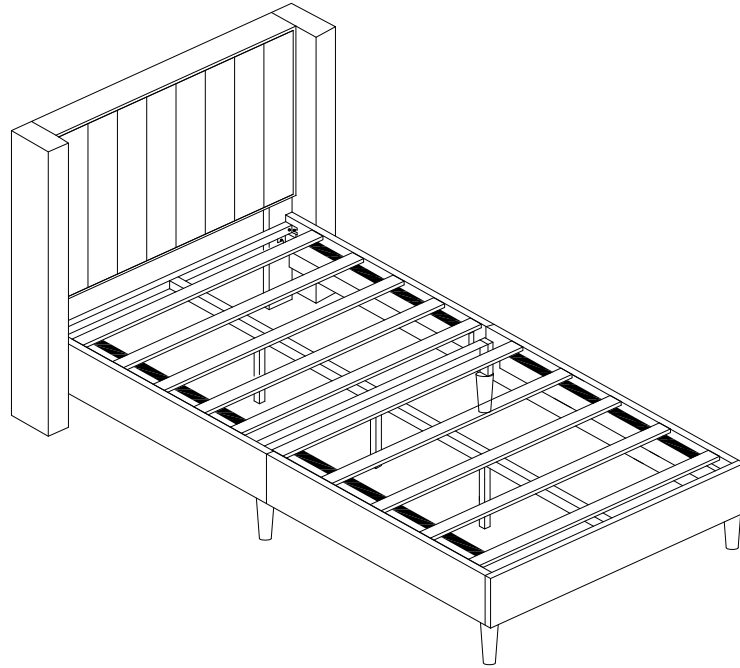
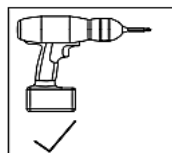


# STANDARD BED



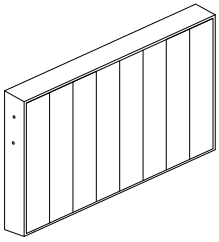
## IMPORTANT NOTE

1. PLEASE CHECK THAT ALL PARTS ARE PRESENT BEFORE YOU START THE ASSEMBLY OF YOUR FURNITURE.
2. FOR THE PROTECTION OF YOUR FURNITURE, PLACE ALL PARTS ON A CLEAN AND SMOOTH SURFACE TO PREVENT ANY DAMAGE.
3. DO NOT USE POWER TOOLS TO ASSEMBLE THE BED.
4. PLEASE PERIODICALLY CHECK ALL FITTINGS AND RE-TIGHTEN AS NECESSARY.
5. DO NOT USE THE BED UNLESS ALL BOLTS AND SCREWS ARE FIRMLY SECURED.
6. NEED PARTS OR ASSISTANCE? EMAIL US
7. YOU CAN ASSEMBLE IT WITH OUR PACKAGING TOOLS OR WITH A HOME ELECTRIC DRILL, AS SHOWN BELOW.

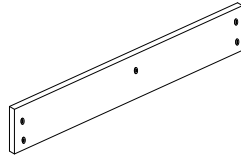


# PART LIST

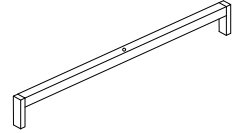
(1) Headboard Pane  
x 1pc



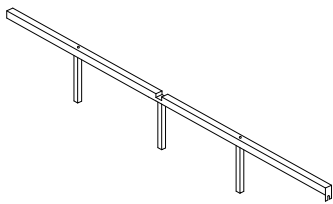
(2) Footboard x 1pc



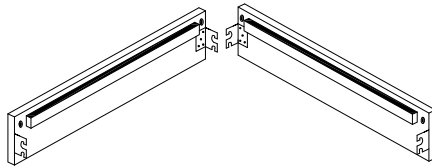
(3) Transverse center support rod x 1pc



(4) Centre Support Bar  
x 1pcs



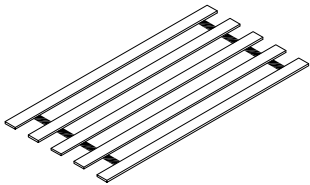
(5) Side Rail I x 4pcs



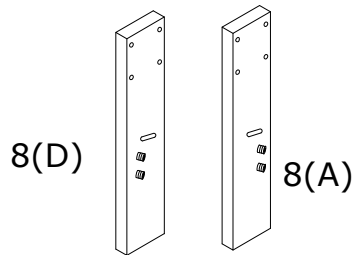
(6) Leg x 4pcs



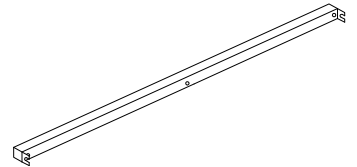
(7) Slat x 2pcs



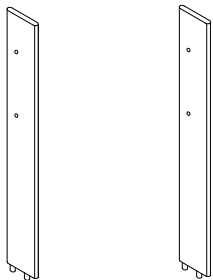
(8) Headboard support



(9) Headstock bar x 1pc

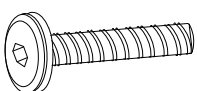


(10) Bed stack  
x 2pcs

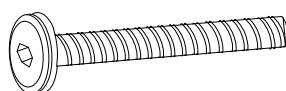


# HARDWARE LIST

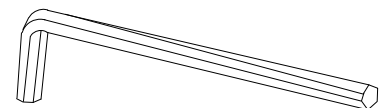
(H1) Bolt M8 x 35mm  
x 8pcs



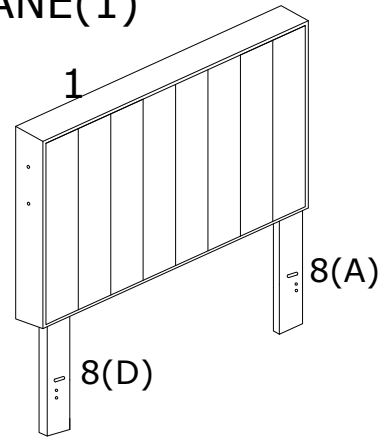
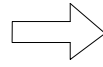
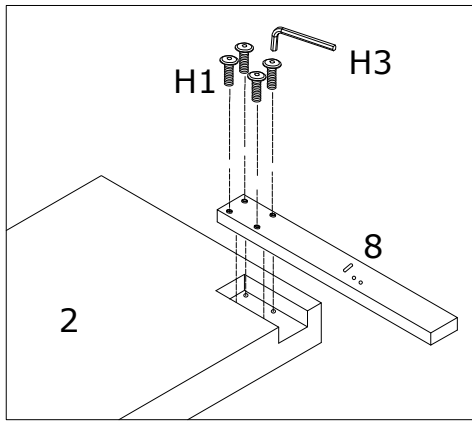
(H2) Bolt M8 x 45mm  
x 6pcs



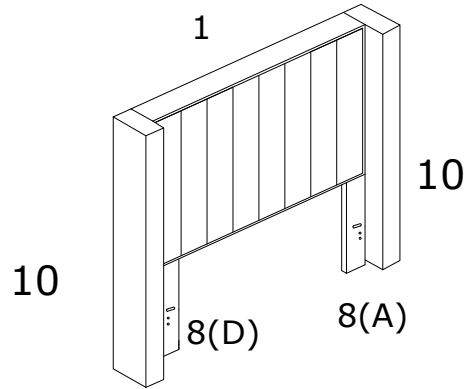
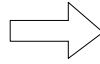
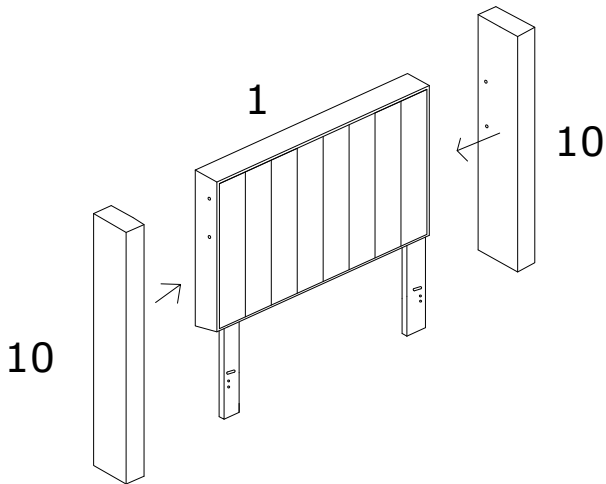
(H3) Allen Key M5 x 1pc  
(Installation tool)



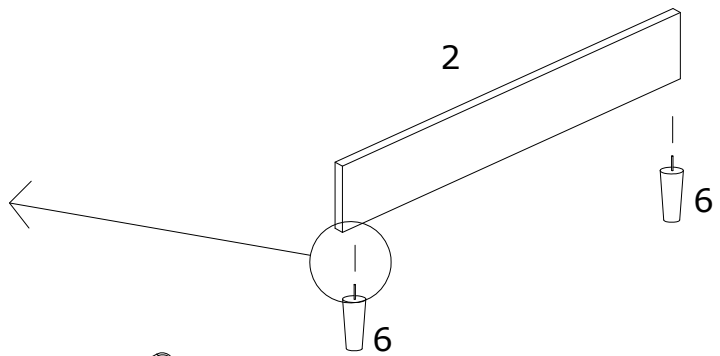
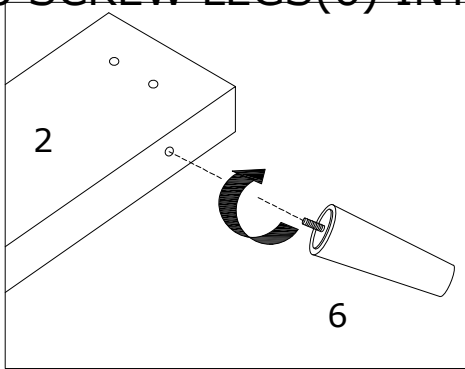
# STEP 1 SCREW LEGS(8) INTO HEADBOARD PANE(1)



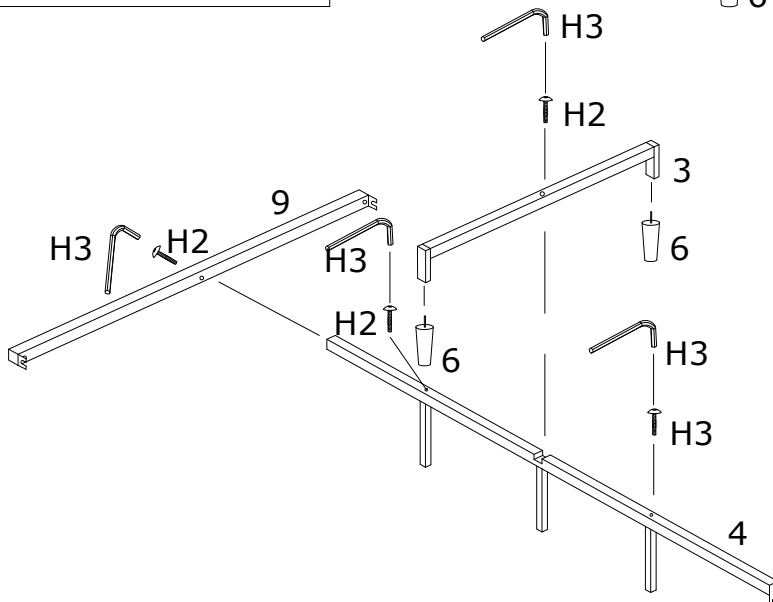
# STEP 2 Screw the bed stack (10) into both sides (1) of the headboard



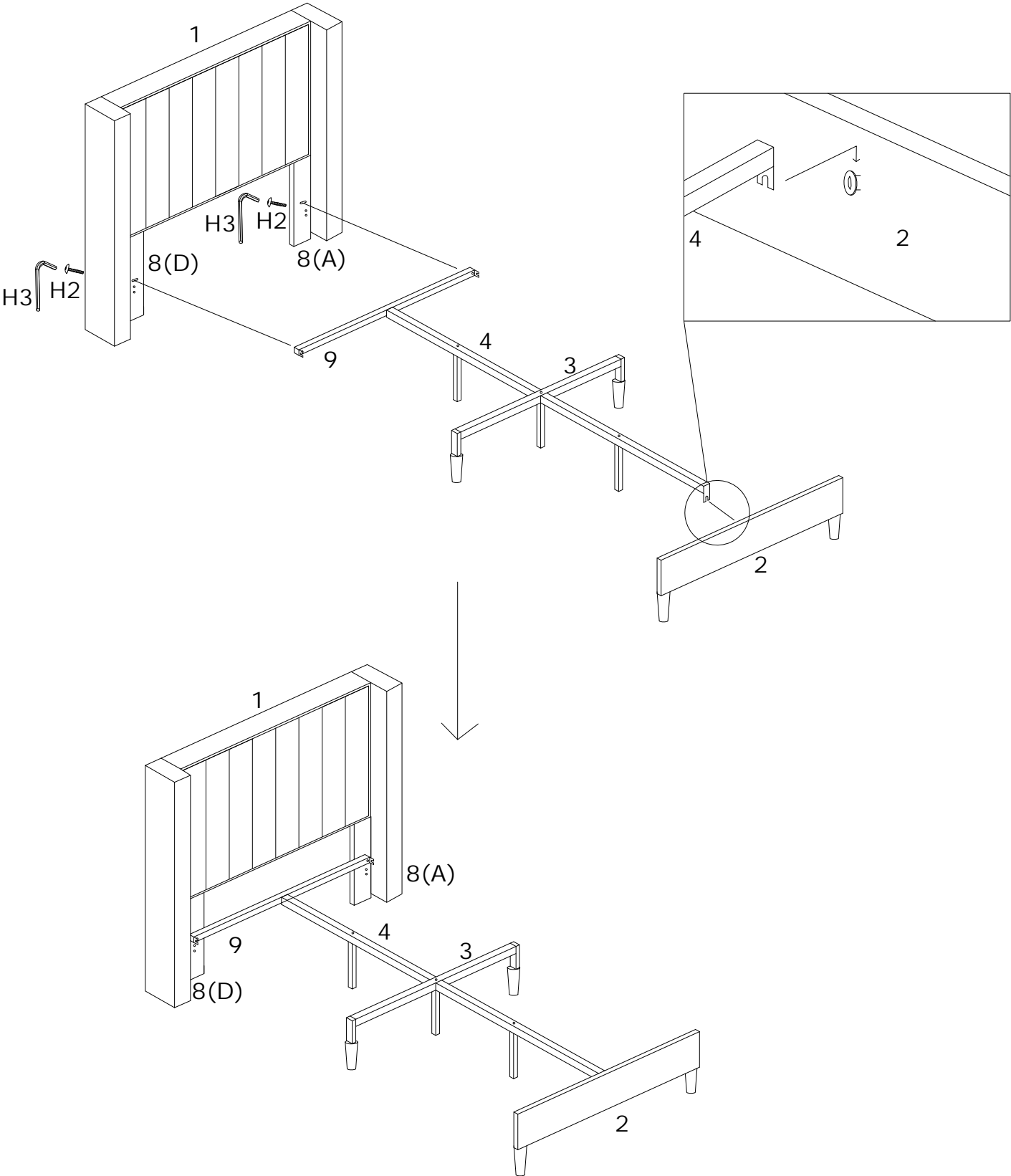
# STEP 3 SCREW LEGS(6) INTO FOOTBOARD(2)



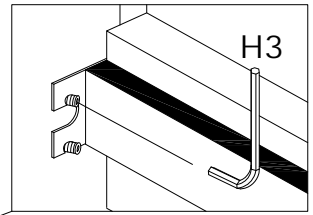
# STEP 4



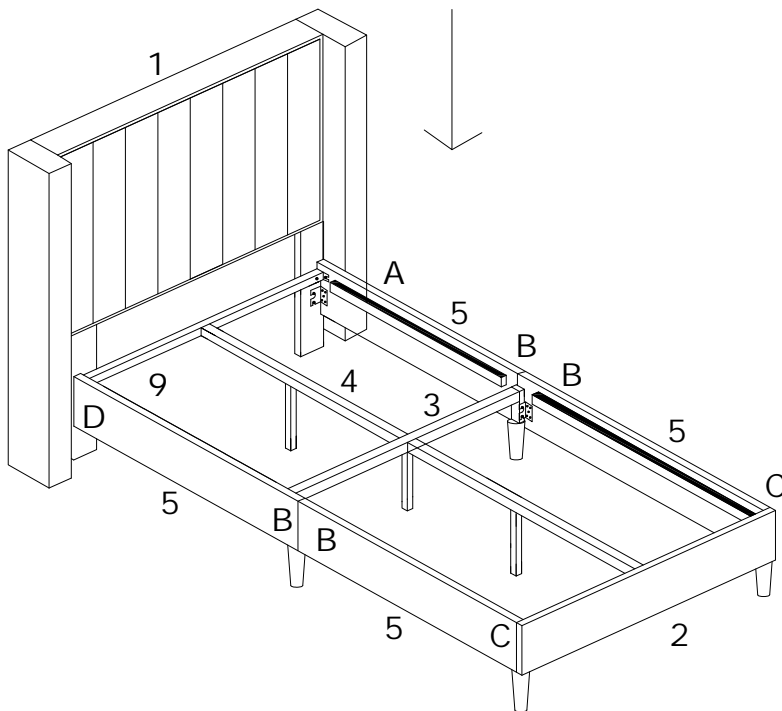
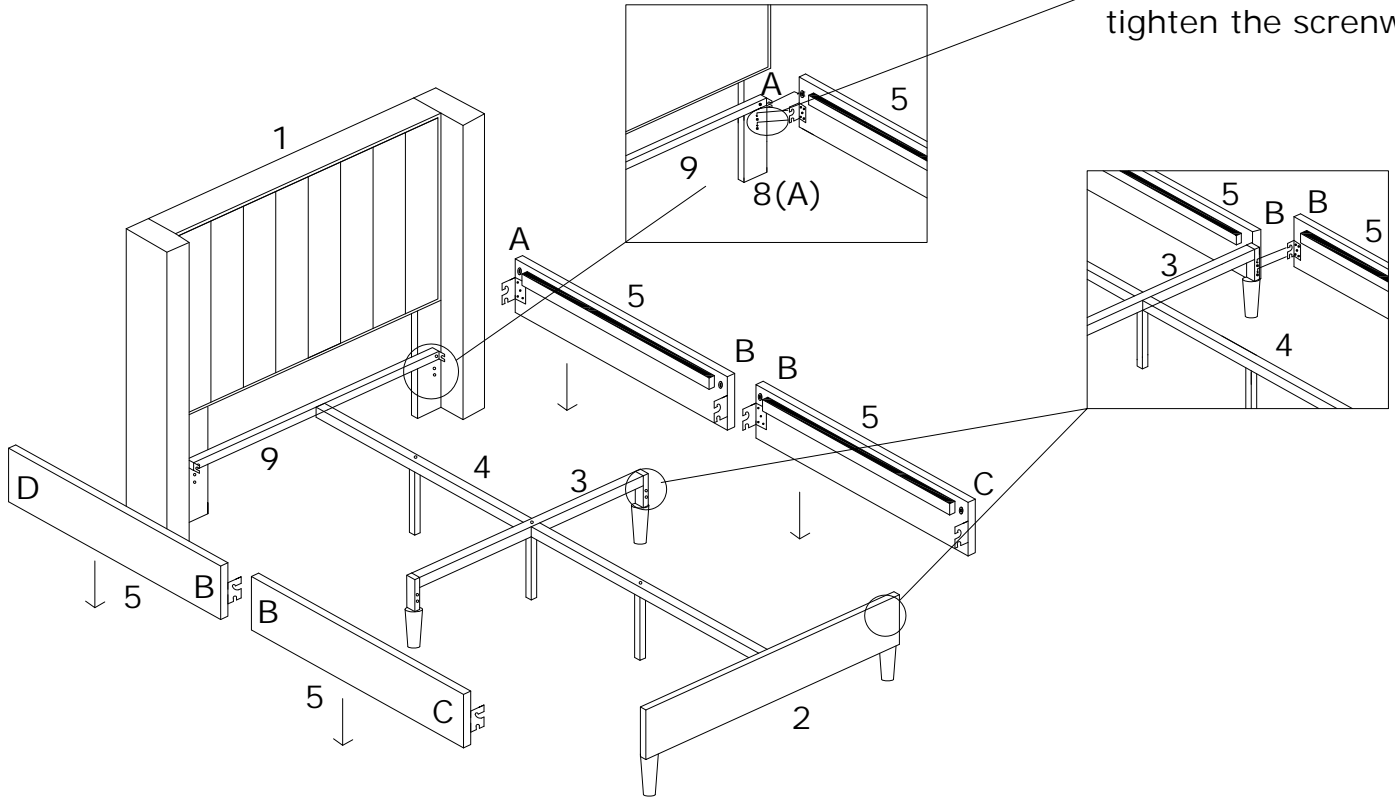
# STEP 5



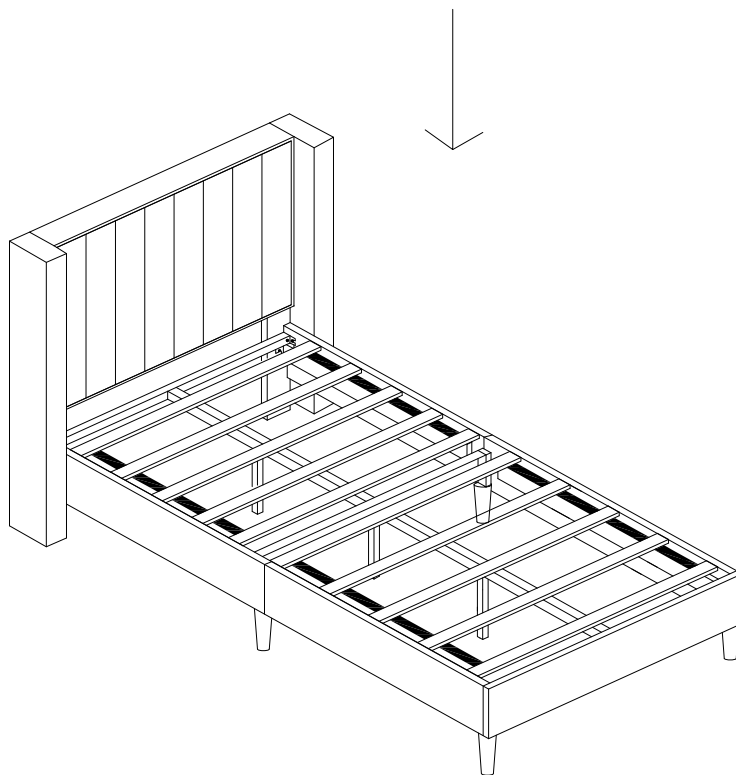
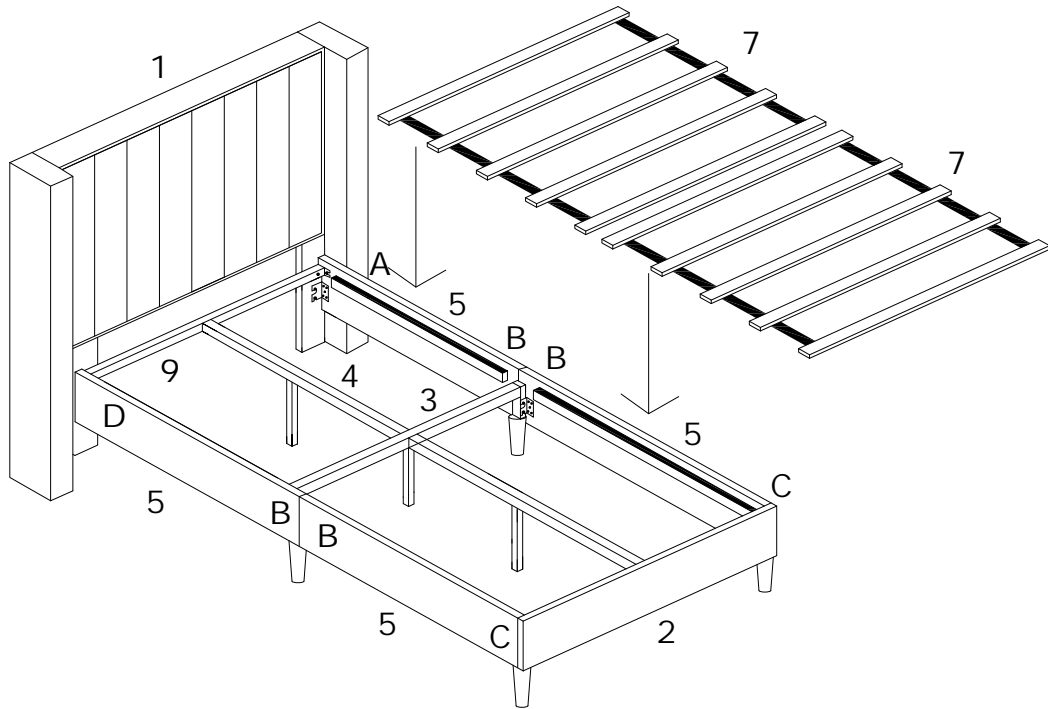
STEP 6 THE (A) AND (D) SURFACES OF THE SIDE RAILS SHALL BE CONNECTED WITH THE HEADSTOCK(1), AND THE (C) SURFACES OF THE SIDE RAILS SHALL BE CONNECTED WITH THE TAIL OF THE BED(2).



tighten the screws



# STEP 7



***Job Complete !***

*In the interest of our environment please dispose of all packaging thoughtfully.*