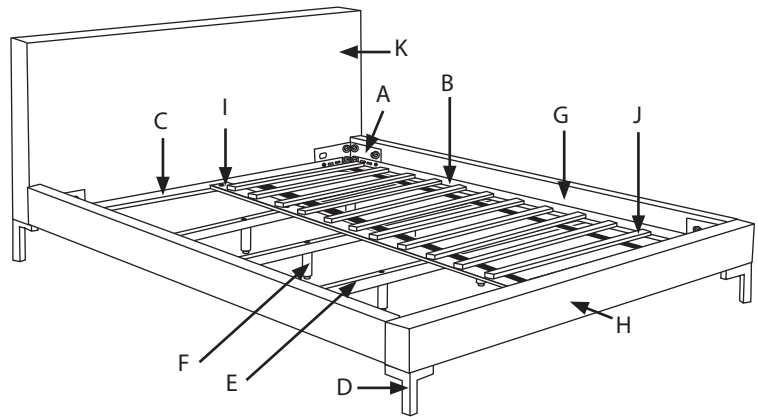












KING/ CALIFORNIA KING PLATFORM BED ASSEMBLY

Components

ITEM	DESCRIPTION	QTY
A	Metal Corners	4
B	Metal Side Rail	2
C	Metal End Rail	2
D	Corner Leg	4
E	Center Support Rail	3
F	Center Support Leg	6
G	Upholstered Side Rail	2
H	Upholstered Foot Rail	1
I	Verticle Support Rail	1
J	Wooden slat roll- not shown (located in headboard box)	2
K	Headboard	1



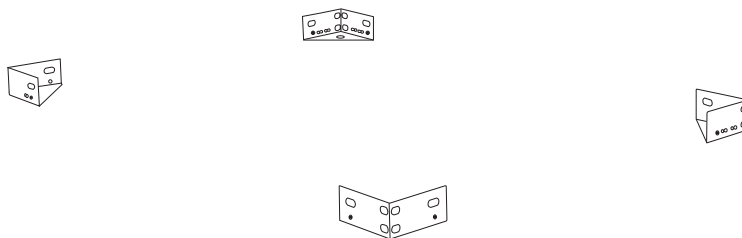
HARDWARE Please note: actual product may look different than illustration.

(H1) x 14	— 1/4" bolt		(H16) x 16	— 5/8" x 5/16" bolt	
(H2) x 27	— 1/4" nut		Please note: assembly is recommended with two people. You will need a flat head and phillips head screwdriver to assemble your bed frame.		
(H5) x 19	— 1" x 1/4" bolt				
(H6) x 11	— 3/4" washer smaller hole				
(H8) x 22	— 1 1/4" washer				
(H9) x 1	— smaller L wrench				
(H11) x 1	— wrench				
(H14) x 4	— 3" x 5/16" bolt				
(H15) x 18	— 2" x 5/16" bolt				

Step 1

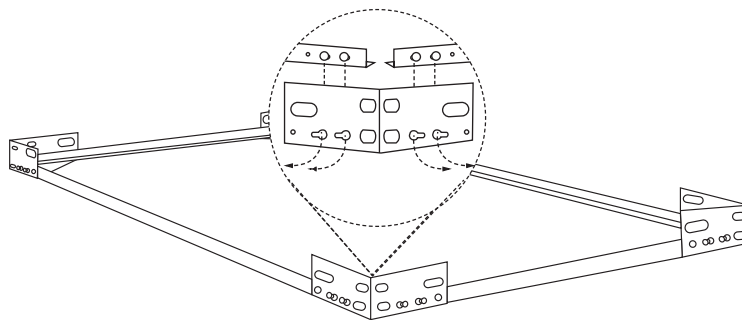
1.1

Place (A) metal corners in a rectangular shape roughly the size of your mattress.



1.2

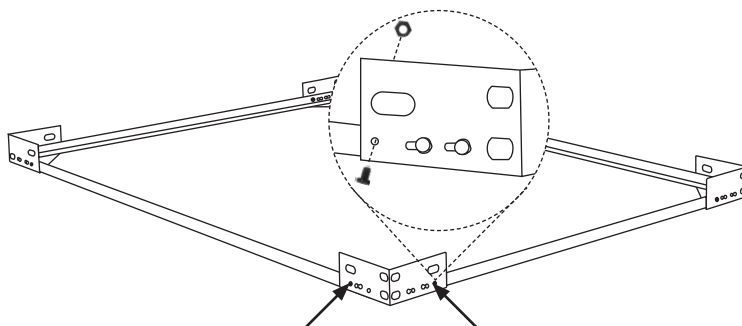
Lay (B) and (C) metal rails into (A) metal corners to create the shape of your bed frame. Snap into place.



1.3

Secure (B, C) metal rails to (A) metal corners using (H1) bolts and (H2) nuts. Tighten using (H9) L wrench and (H11) wrench.

Please note: (H2) nuts should be on the inside of the frame.

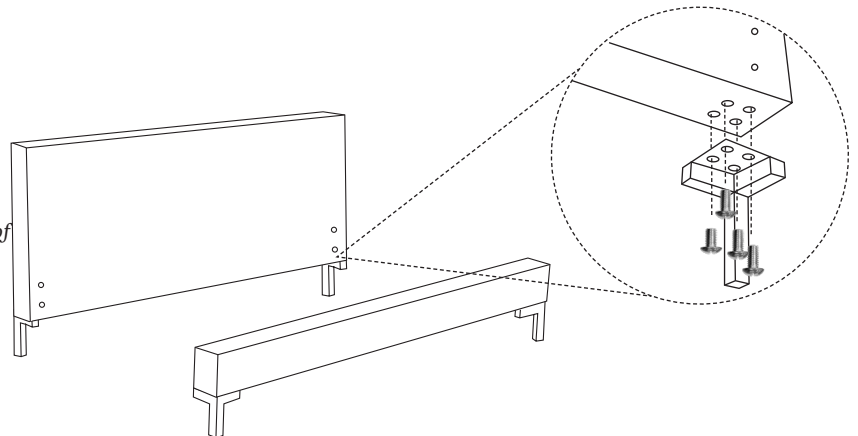


Step 2

2.1

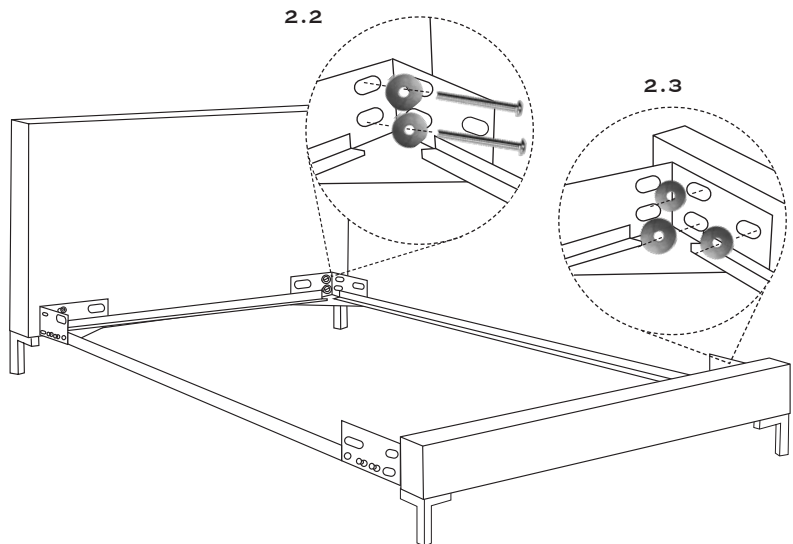
Attach (D) metal legs to (K) headboard and (H) upholstered foot rail using (H16) bolts and a flat head screwdriver.

Please note: The vertical part of the (D) metal legs should face the outside corner of (K, H). The outside of (K, H) does not have holes.



2.2

Loosely attach (K) headboard to the metal bed frame using (H14) bolts, (H8) washers and a flat head screwdriver.



2.3

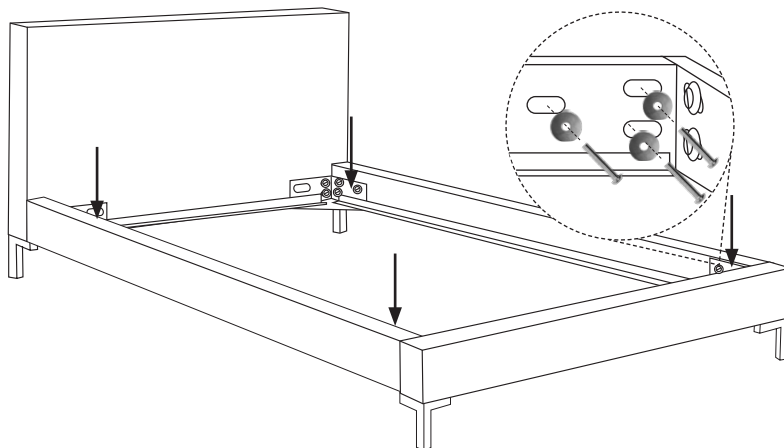
Loosely attach (H) upholstered foot rail to the metal bed frame using (H15) bolts, (H8) washers and a flat head screwdriver.

Please note: we recommend one person hold the frame and upholstered pieces in place while a second person attaches the hardware.

2.4

Loosely attach (G) upholstered side rails to the metal bed frame using (H15) bolts, (H8) washers and a flat head screwdriver.

Please note: do not tighten bolts until after both side rails have been attached.

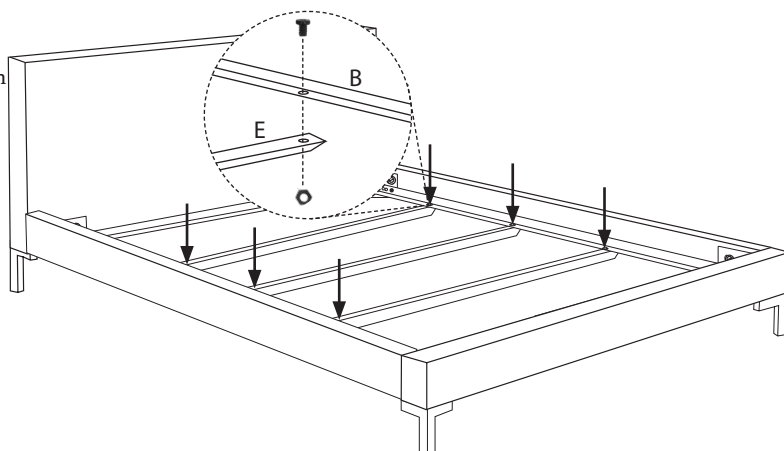


Step 3

3.1

Align holes of (E) center support rail with holes on (B) metal side rails. Attach using (H1) bolts and (H2) nut. Tighten using (H9, H11) wrenches.

Please note: (E) center support rail attaches underneath (B) metal side rails.

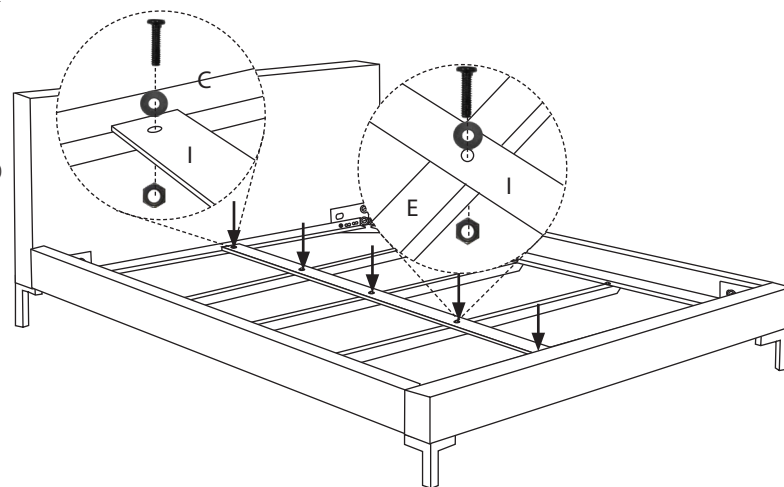


3.2

Align hole of (I) vertical support rail with holes on (C) metal end rail. Attach using (H5) bolts, (H6) washers and (H2) nuts. Tighten using (H9, H11) wrenches.

Attach (I) vertical support rail to (E) center support rails using (H5) bolts, (H6) washers and (H2) nuts. Tighten using (H9, H11) wrenches.

Please note: (I) vertical support rail attaches above (E) center support rail.

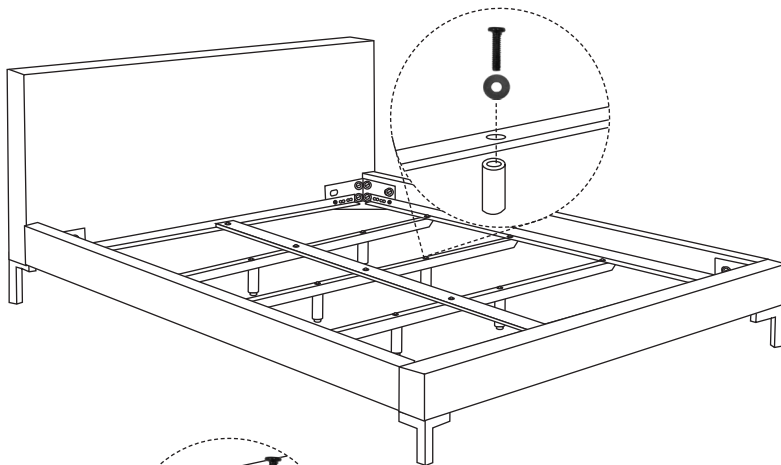


KING/ CALIFORNIA KING PLATFORM BED ASSEMBLY

3.3

Attach (F) center support legs to (E,I) support rails using (H5) bolts and (H6) washers. Tighten using (H9) L wrench.

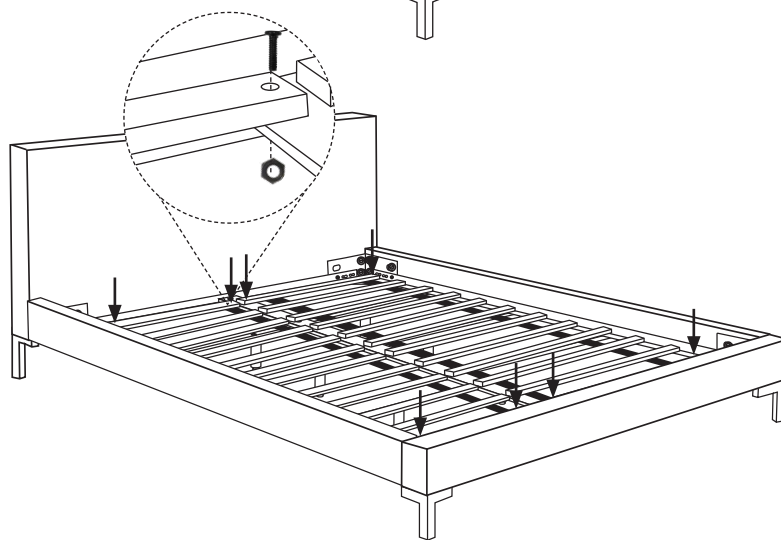
Please note: (F) center support legs can be adjusted in height by twisting the foot at the bottom of the leg.



3.4

Carefully place the (J) wooden slat rolls onto the bed frame. Attach using (H5) bolts and (H2) nuts. Tighten with (H9, H11) wrenches.

Please note: The black band that holds the slats together should face the floor.



Warranty

LIMITED WARRANTY

WE guarantees its upholstered furniture against defects in construction for a period of one (1) year. When a structural defect is brought to our attention, we will repair or replace it at our option at no charge to the customer (includes parts and labor, not transportation costs). Fabric wearability for upholstered furniture is not covered by the warranty. Vacuum for regular cleaning.

Please dispose of plastic bag(s) and carton(s) responsibly.