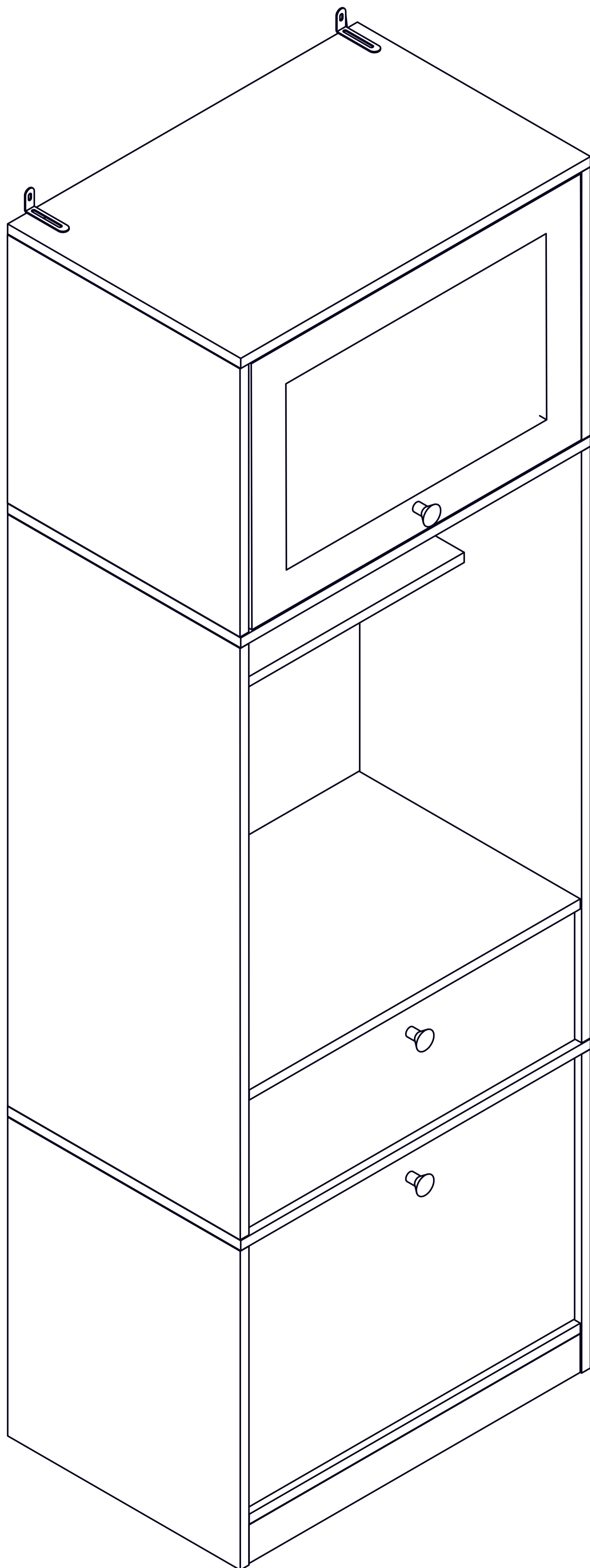
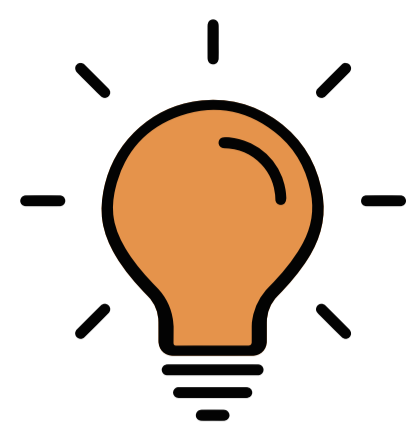


OMCHOM

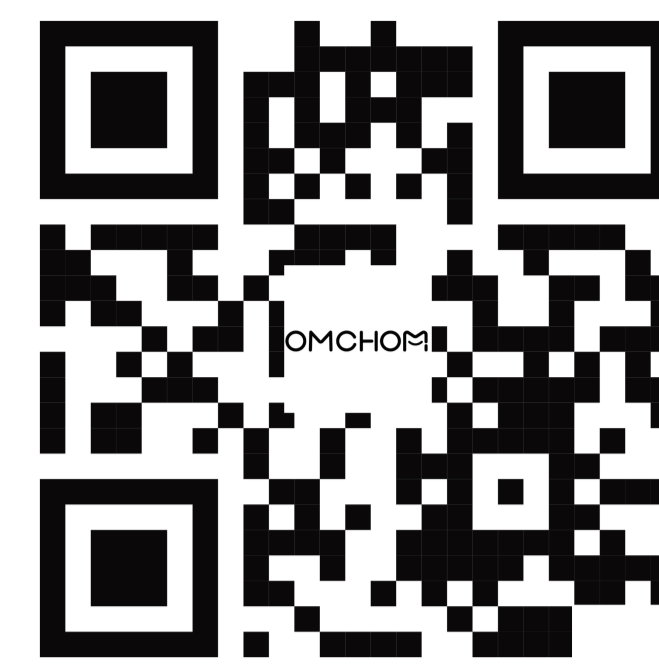
User Manual



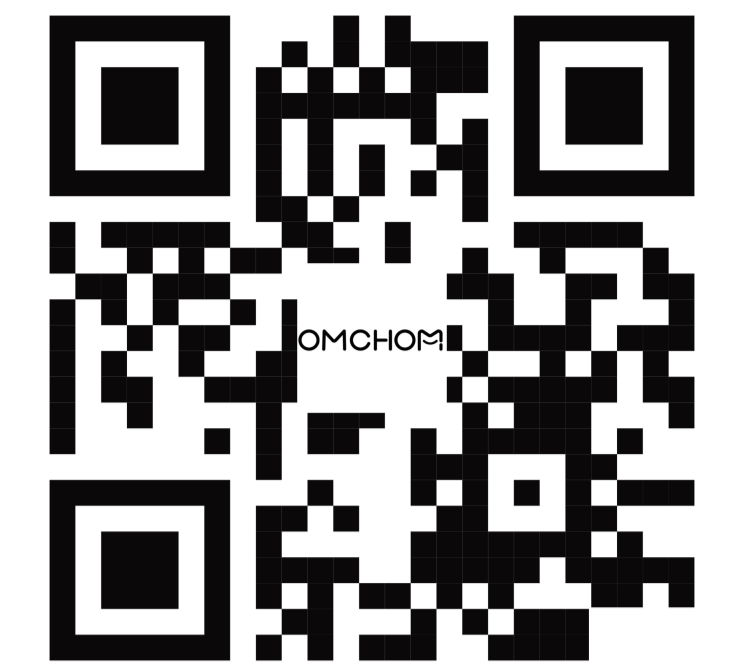
OMC25S102



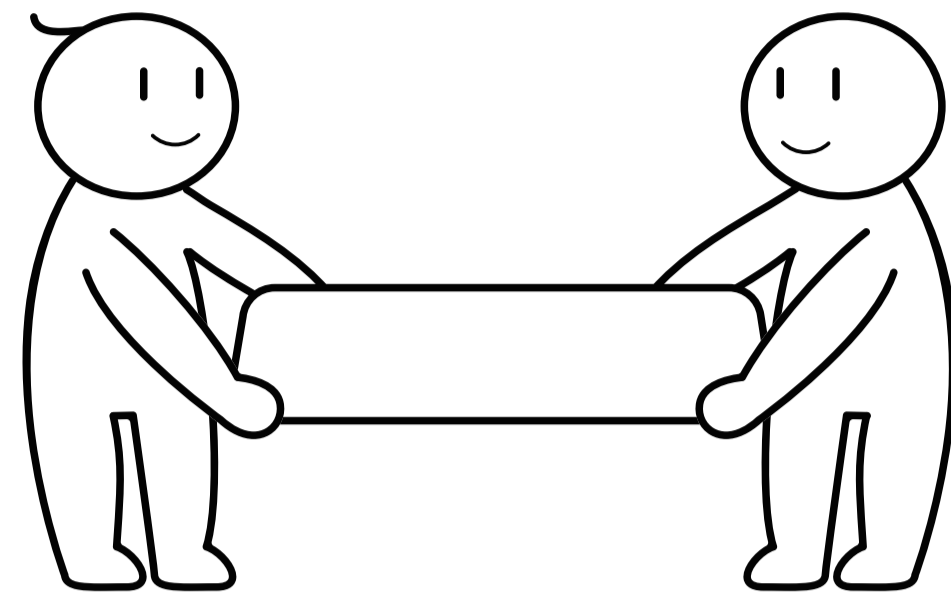
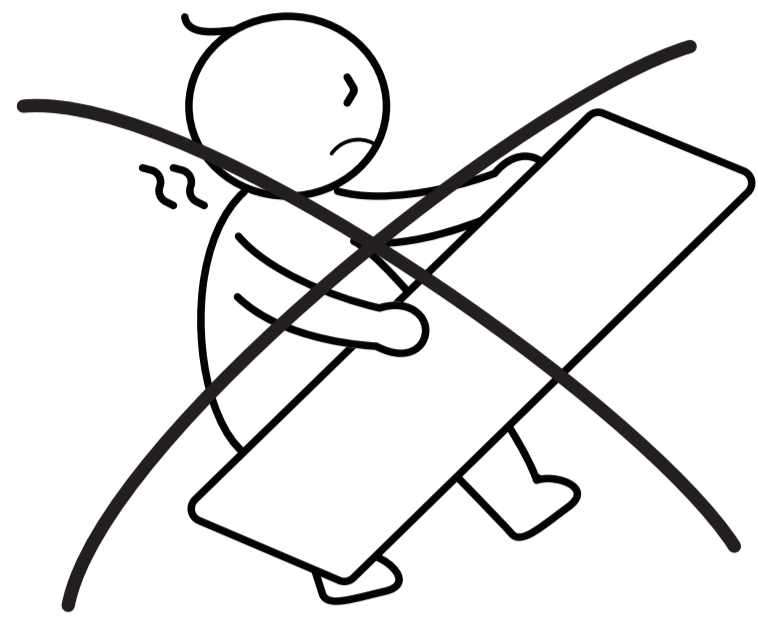
Please read the instruction manual before assembly. Scan the QR code on the right to view the installation video and electronic manual.
Please keep the manual safe and transfer it with the product.



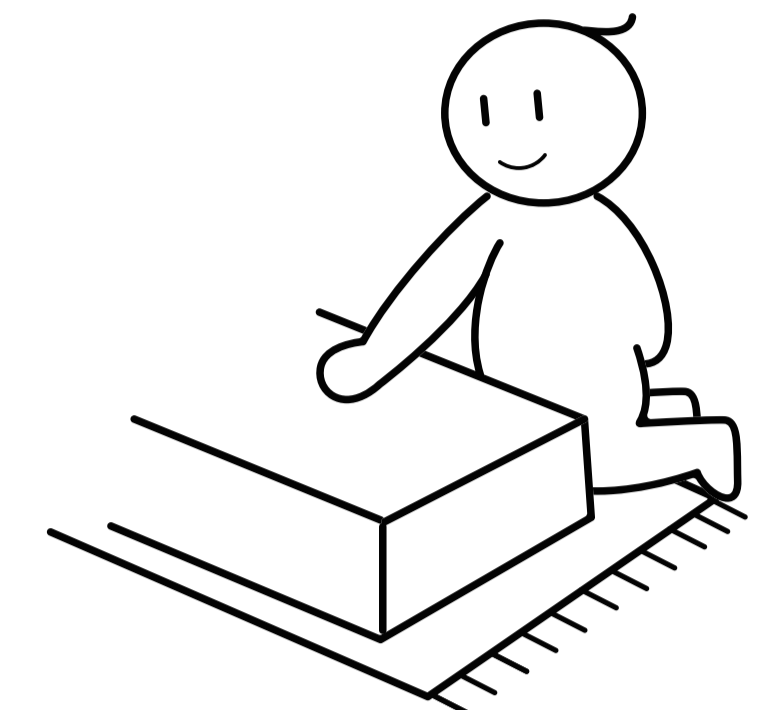
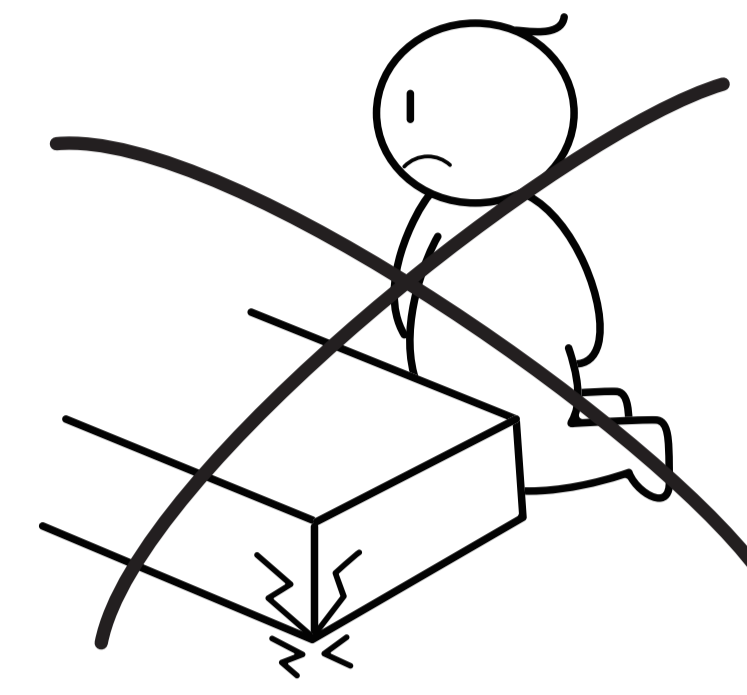
Scan for the e-manual



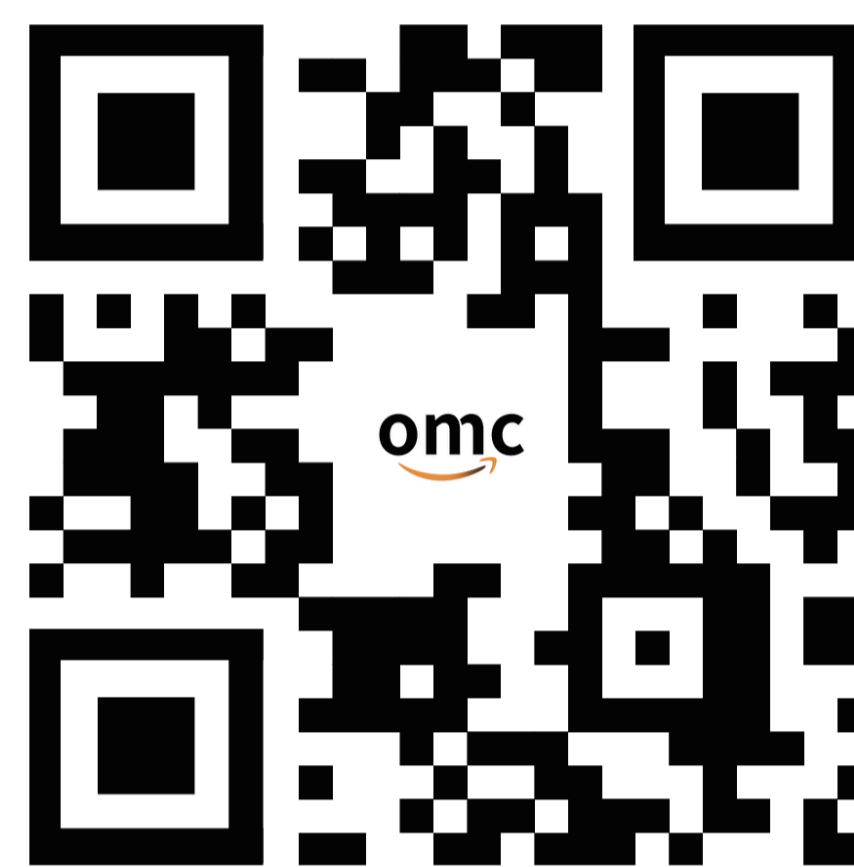
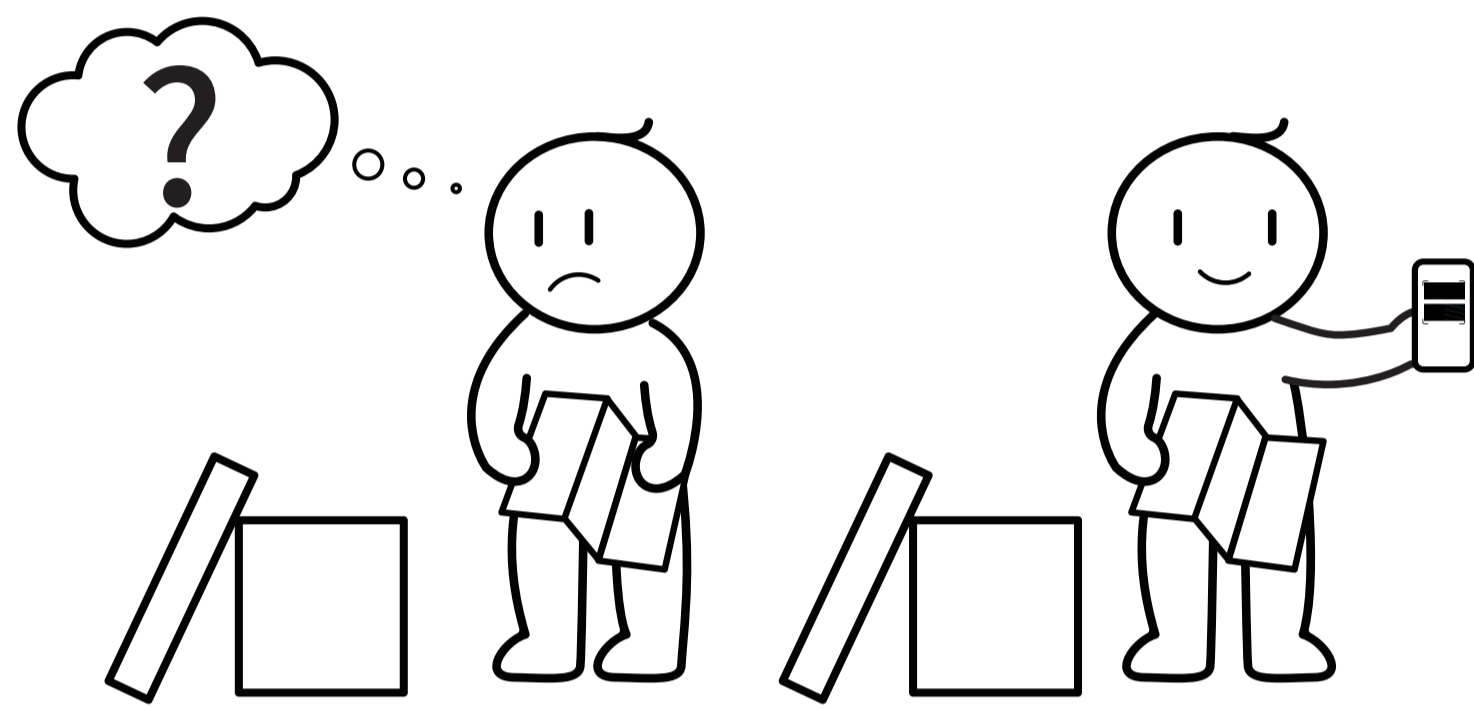
Scan for the installation video



1. Please keep this manual in a safe place and pass it on if you transfer the product to someone else.



2. Choose a clean, flat and spacious area for assembly, and avoid hard surfaces that could damage the product.



Scan the QR code to access.

1. Official after-sales support service
2. Product installation video
3. Warranty activation service

! If you encounter any problems during the installation process, please scan the QR code to contact us for assistance.

! Anti-tipping warning **!**

Furniture tip-over can cause serious or fatal injuries.

To prevent such incidents, please follow the recommendations below:



- Install the supplied tip-over restraint kit as instructed.
- Keep children from climbing on or leaning against the product.
- Do not place a TV or other heavy items on it unless it is designed to support them.
- If this product includes drawers:
 - Store heavier items in the bottom drawer.
 - Open only one drawer at a time to avoid instability.
 - Do not remove or tamper with drawers.

Note: The included anti-tip device reduces— but does not fully eliminate — the risk of tip-over. Please use this product with caution.

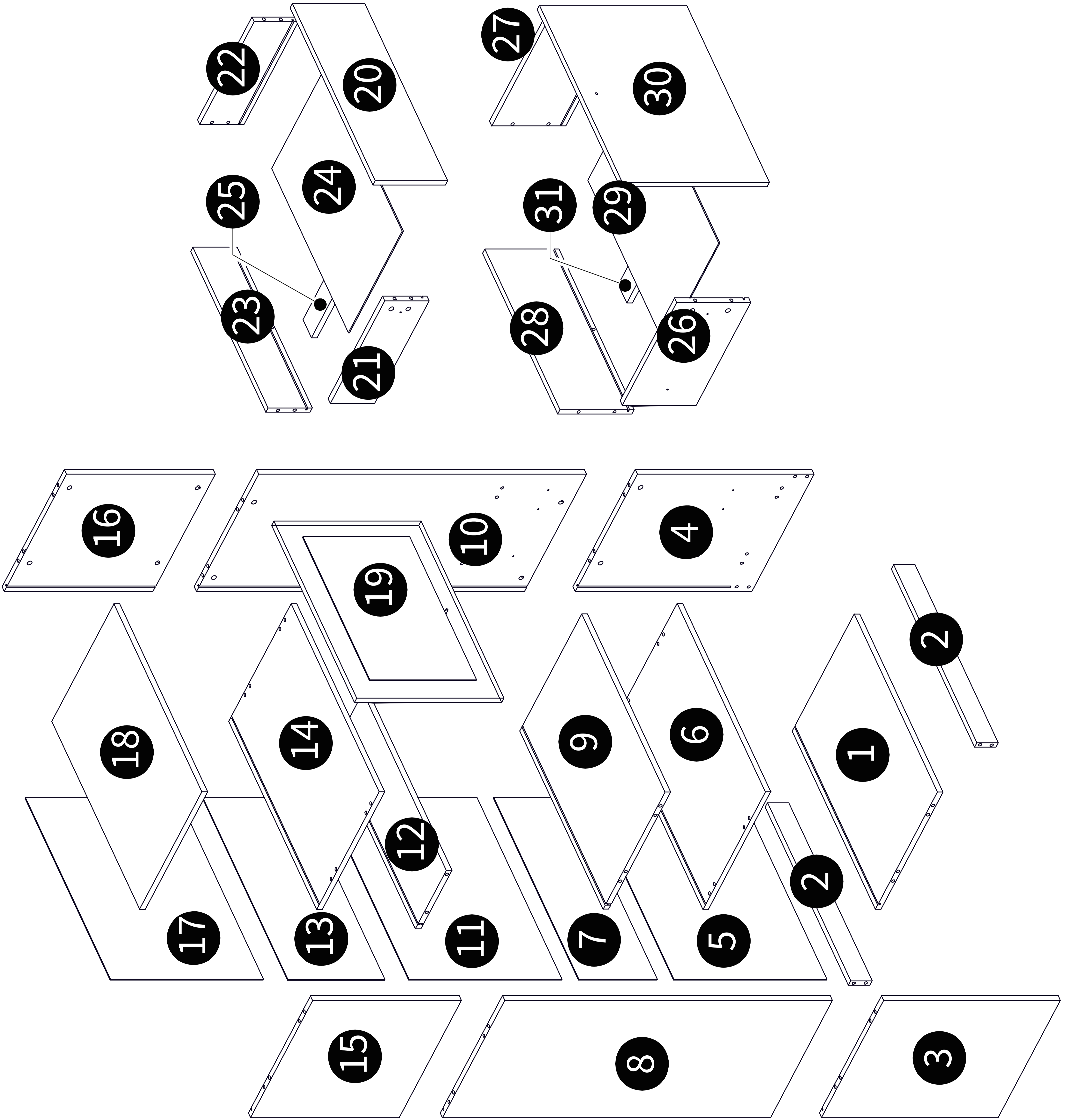
Warning

- This product is for indoor use only. Using the product outside of its intended purpose and/or modifying it beyond its original design may result in personal injury and/or product damage.
- This product must be assembled and used according to the instructions.
- The seller assumes no responsibility or liability for any damage caused by improper assembly or misuse.
- Children must not assemble this product. Keep small parts out of children's reach during assembly, as swallowing or inhaling them may be fatal.
- Children must not climb or stand on this product to avoid tipping and potential injury.
- Do not use this product if there are defects and/or missing parts, as this may cause damage or injury.
- If this product is equipped with an anti-tip device, be sure to install it to prevent the product from tipping over and causing unnecessary injury.
- If this product involves electrical components, keep it away from water or damp environments to avoid electric leakage or short circuits that may cause injury.
- If the product does not have wheels at the bottom, it cannot be moved. Do not drag it, as doing so may loosen or damage the product.

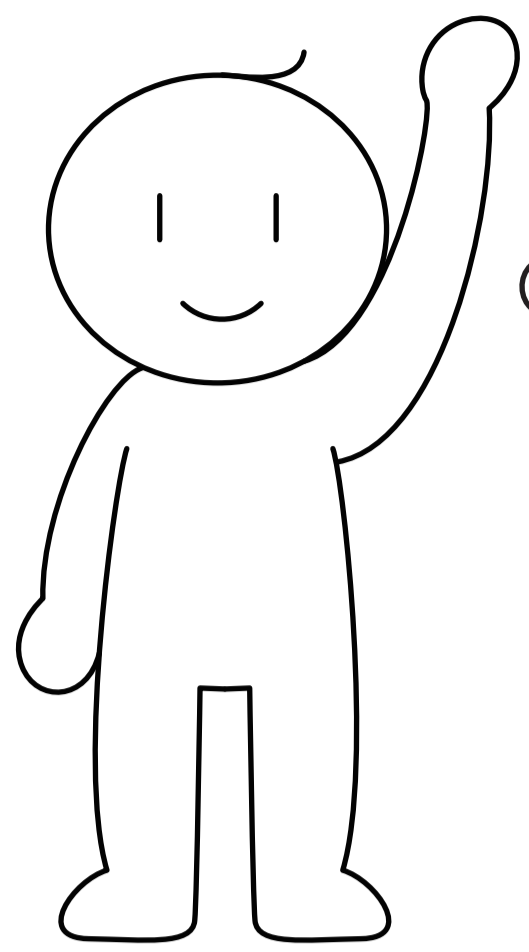
Maintenance Tips

- Place the product on a flat, stable surface to avoid uneven stress and potential damage.
- Periodically check the tightness of all screws during use. Retighten them if necessary to ensure structural integrity.
- Use heat-resistant pads for hot items. Keep the product away from air-conditioning vents or radiators by at least 1.5 meters. Do not place it in any high-temperature area to ensure longevity.
- Wipe off any water on the furniture surface promptly. Avoid exposing the product to long-term humidity to prevent mold.
- Do not place any corrosive substances (including alcohol, aromatherapy oils, nail polish remover, etc.) on the surface.

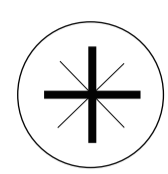
Accessory List-01



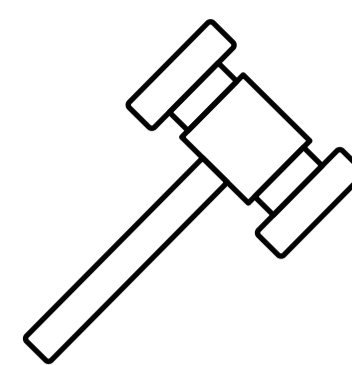
Accessory List-02



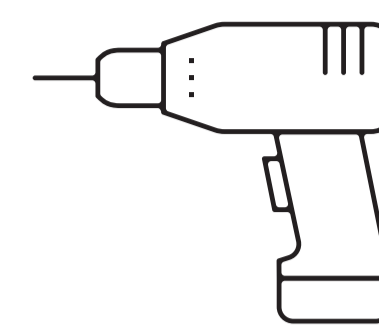
Prepare the required tools.



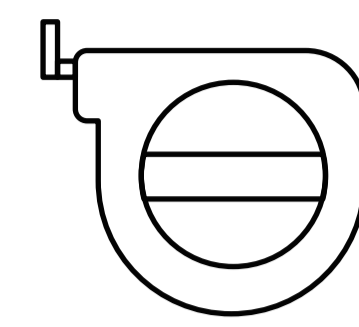
screwdriver



hammer



electric drill



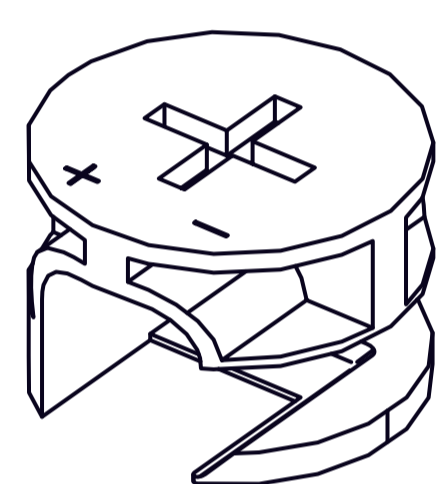
tape measure



Before installation, check that all boards and parts match the manual and distinguish similar parts by size. If anything is missing, scan the QR code to contact us.

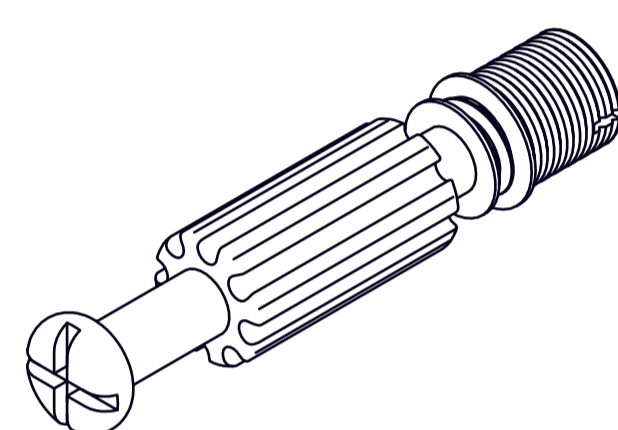
Note: The product ships in a complete package.

A*56



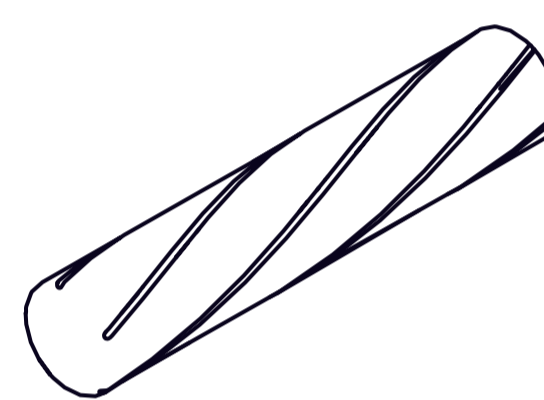
Cam wheel

B*56



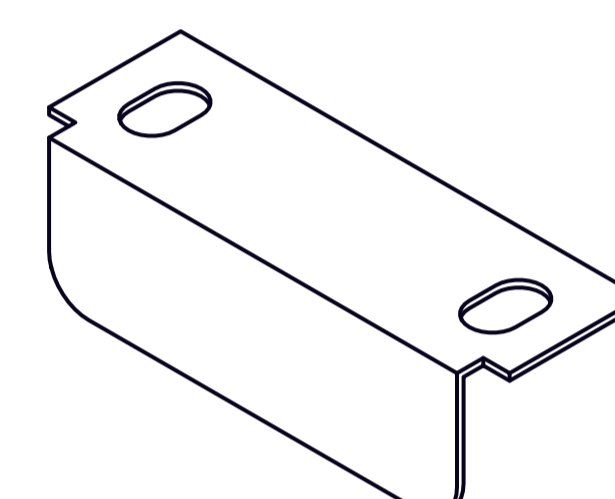
cam bolt

C*32



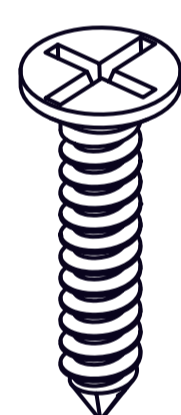
wooden dowel

D*1



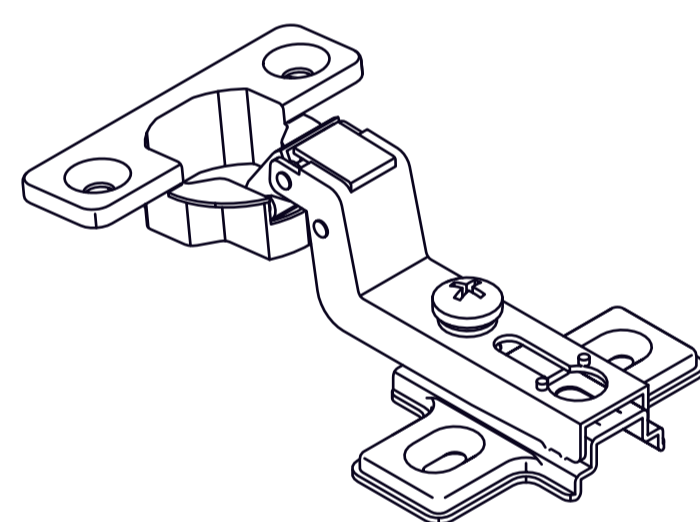
door stopper

E*56



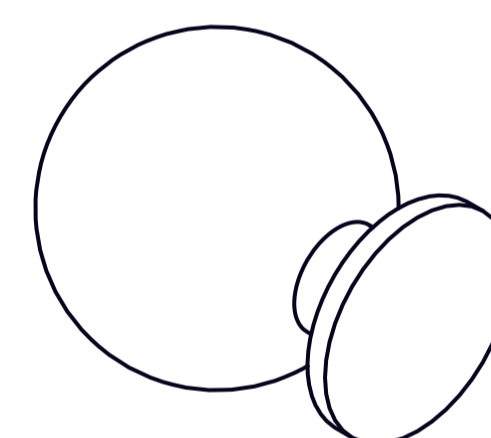
short screw

G*2



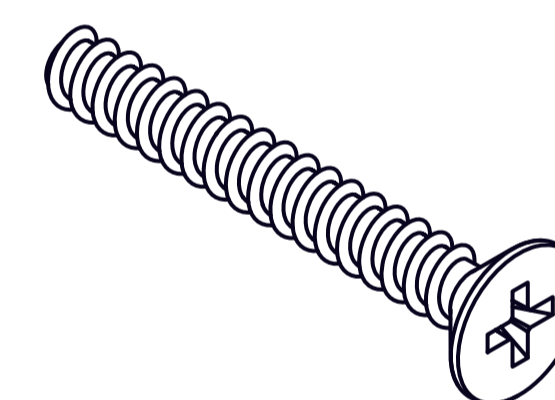
hinge

I*3



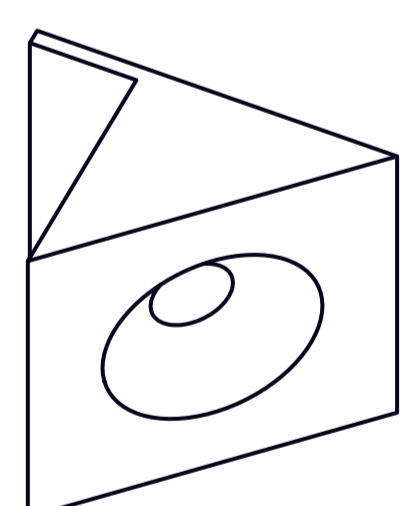
handle

J*3



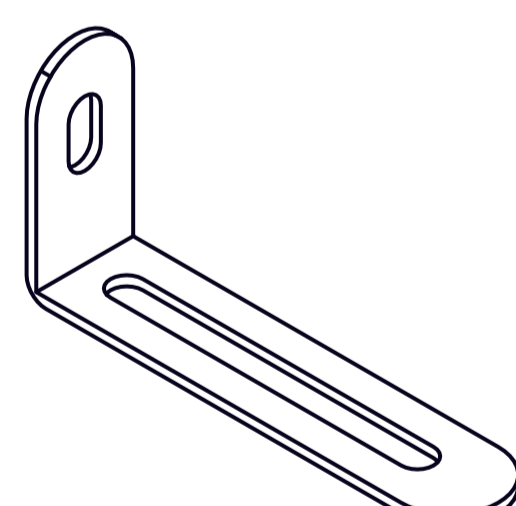
flat-head screw

K*20



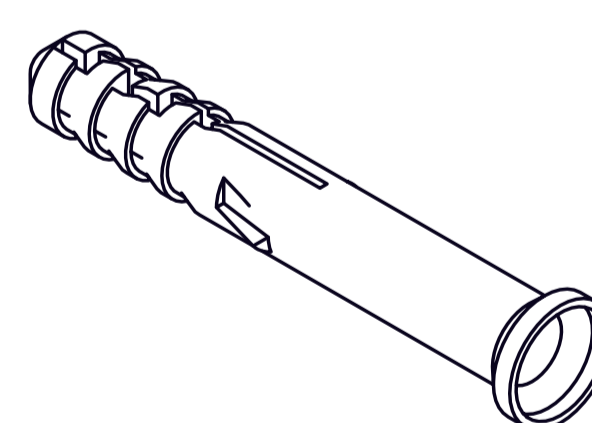
back panel fastener

L*2



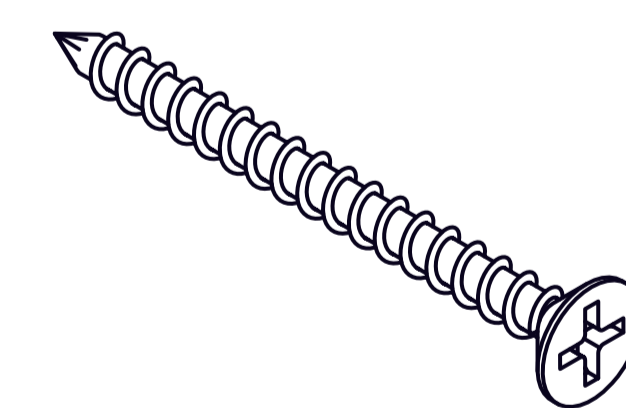
anti-tip device

M*2



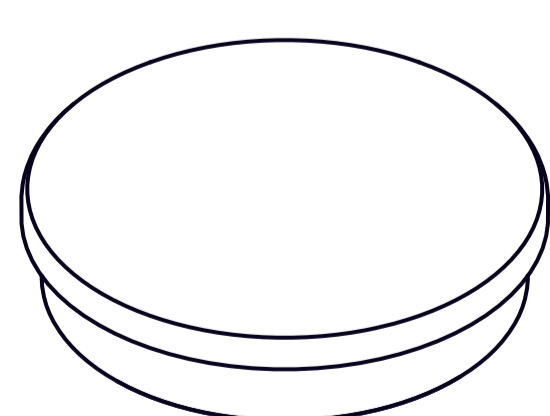
wall plug

N*2



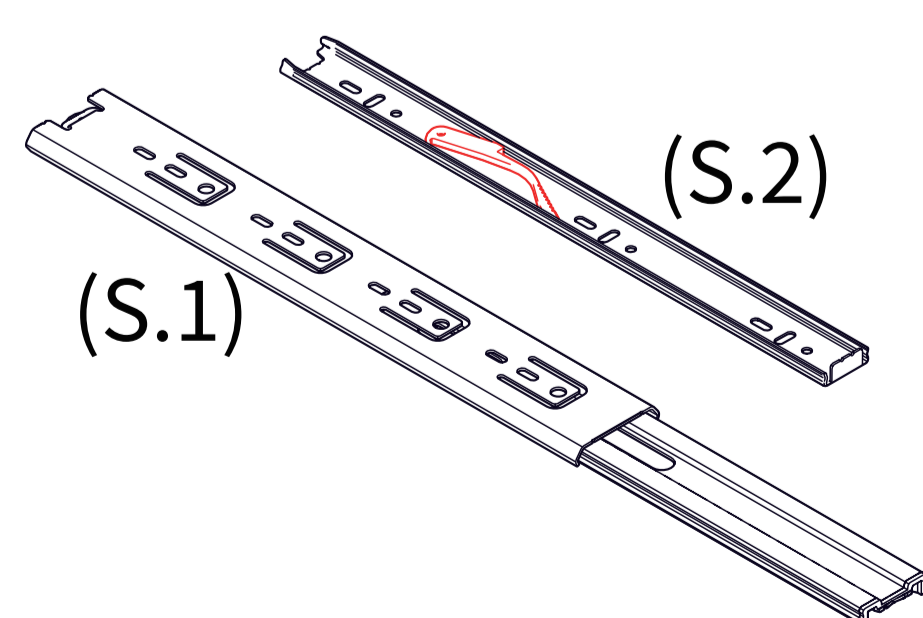
long screw

P*56



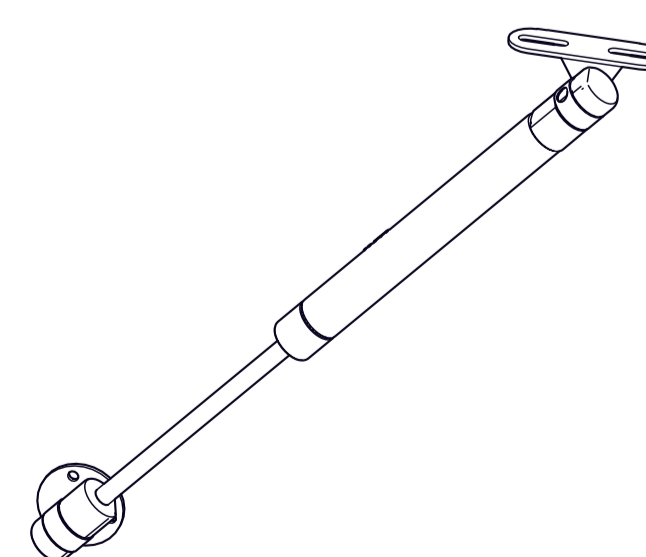
cover cap

S*4



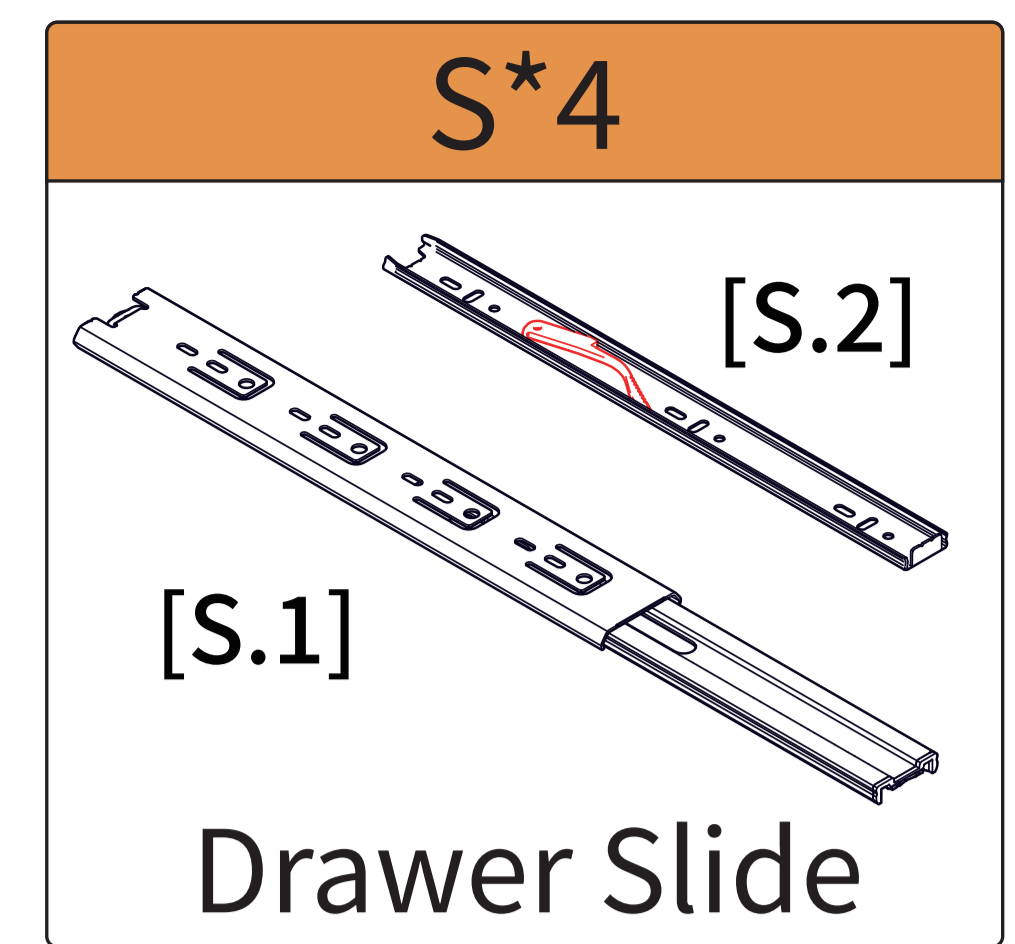
Drawer Slide

R*1

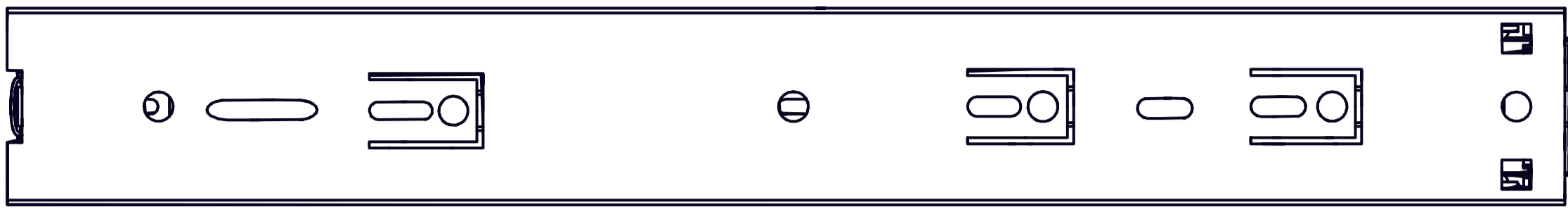


Gas Spring

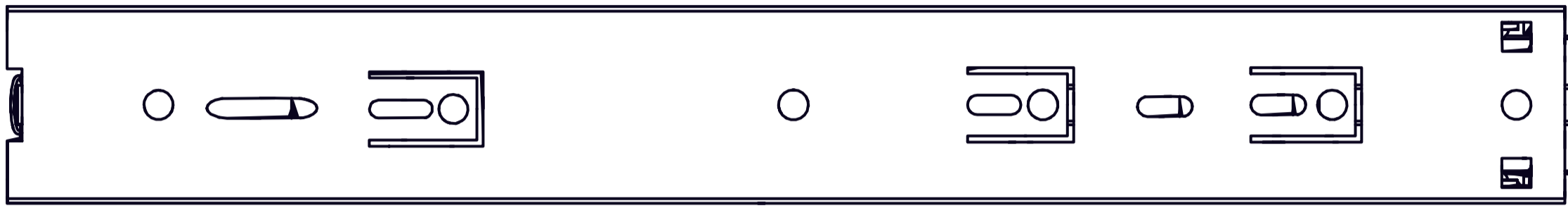
Drawer Slide Disassembly Steps



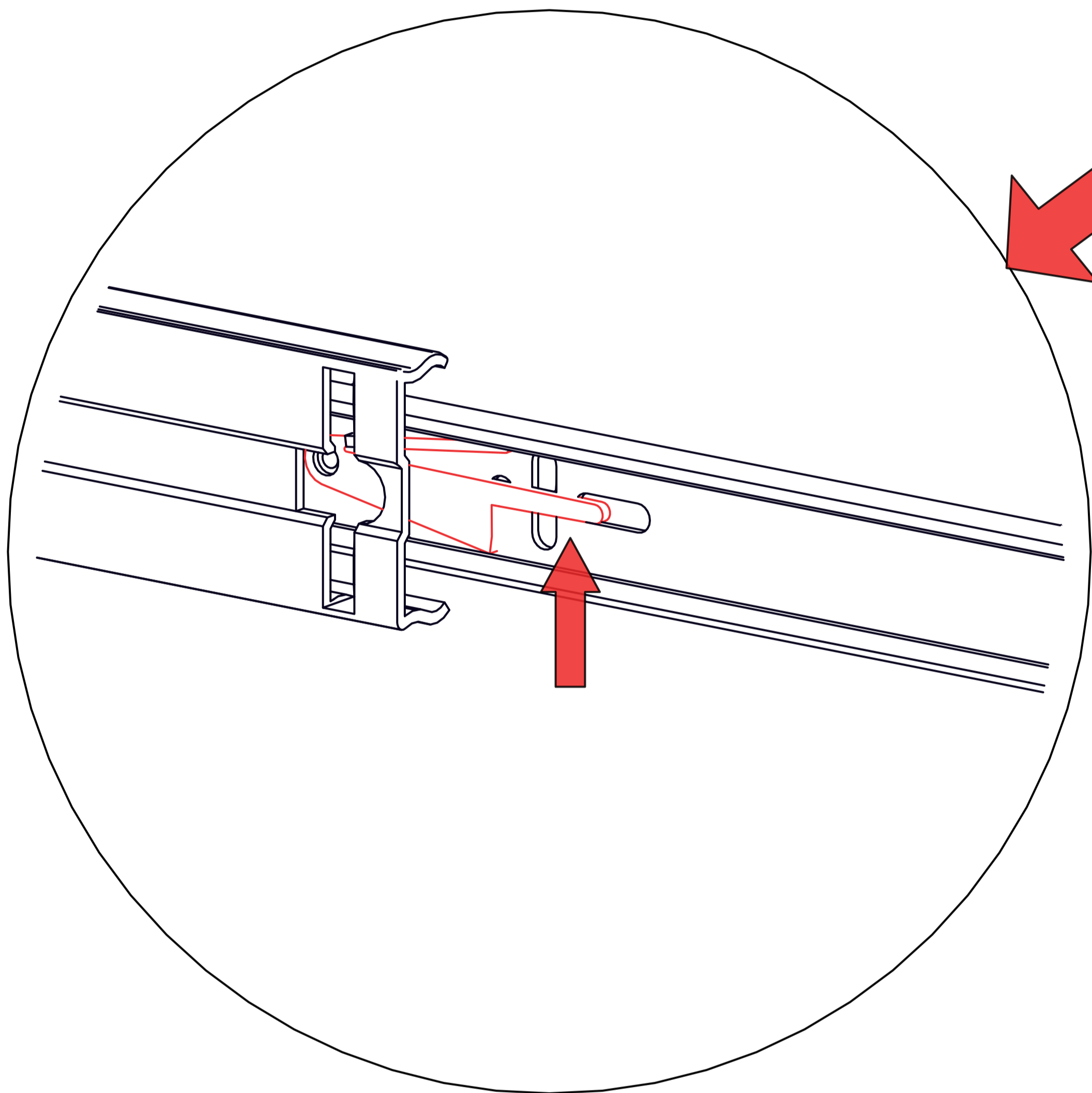
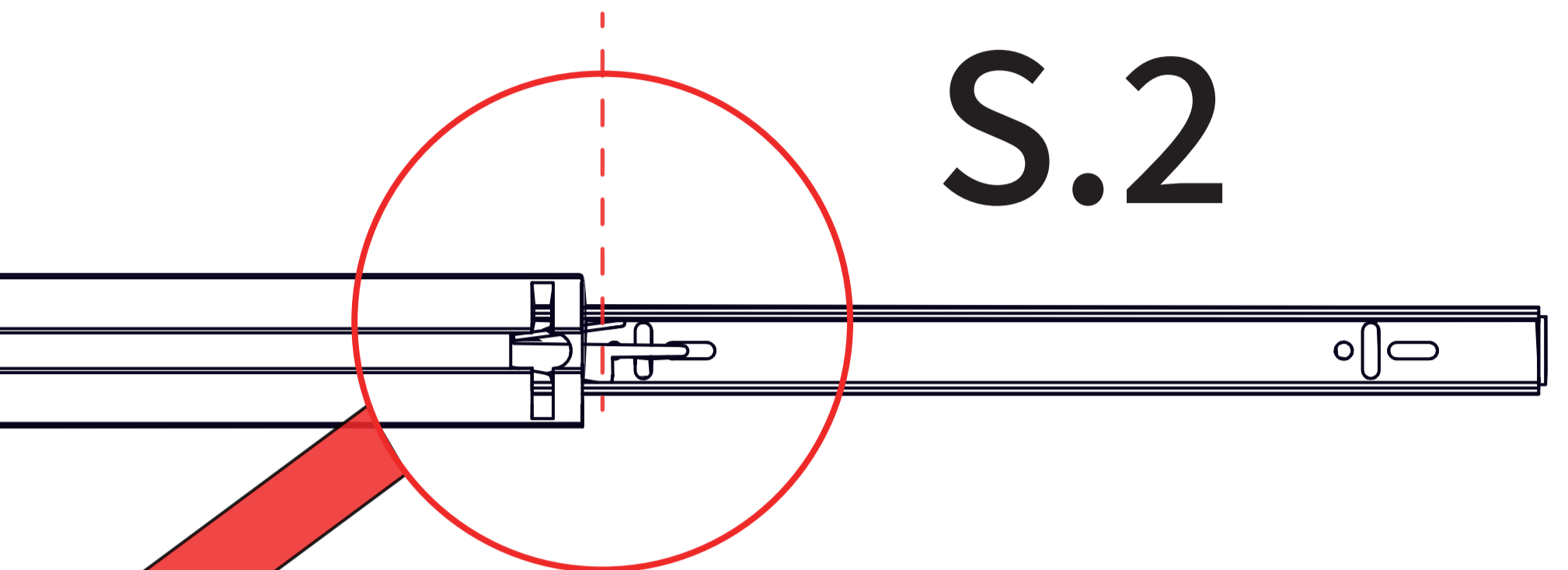
S



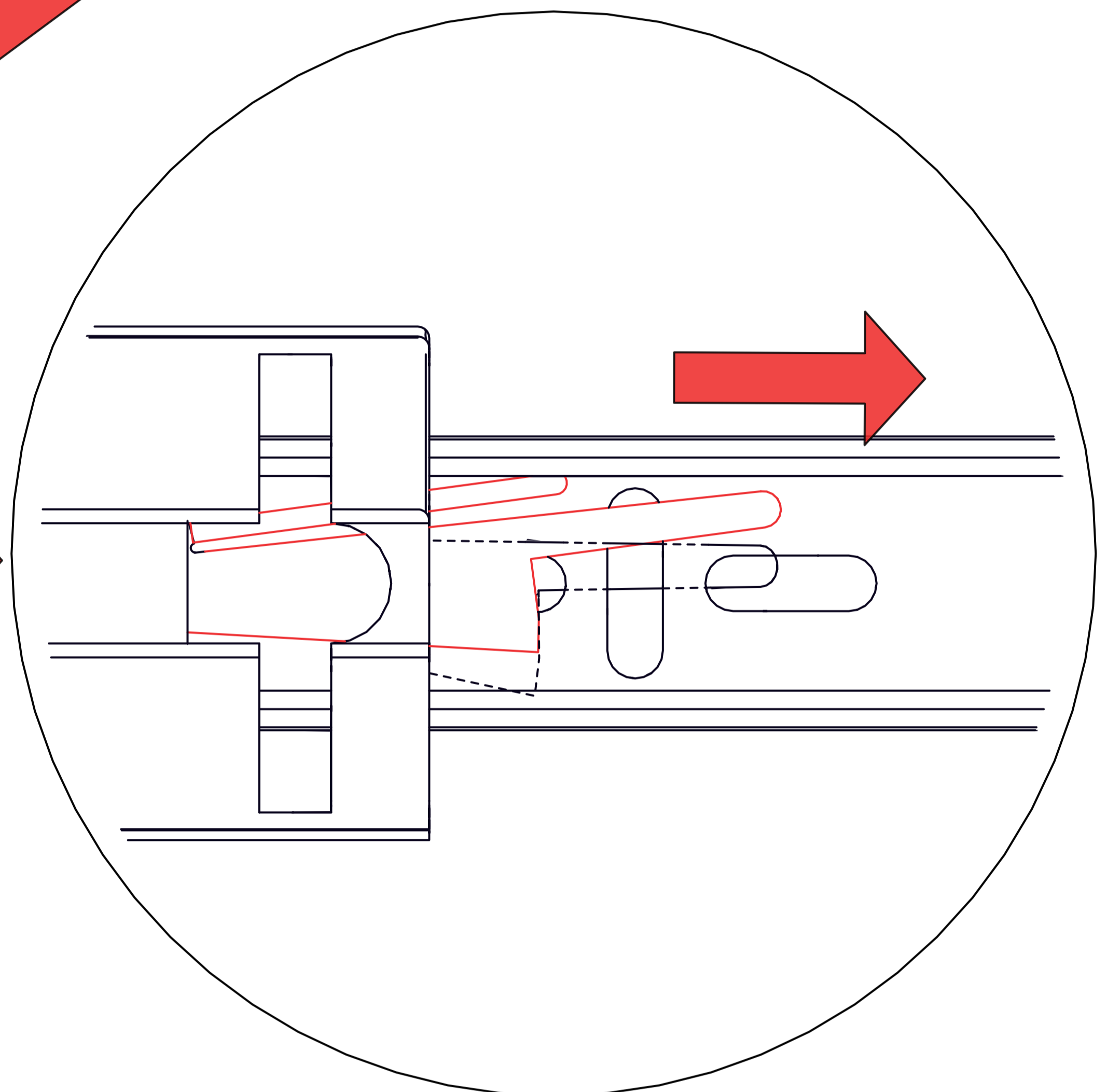
S.1



S.2



1. First, push the black lever upward.

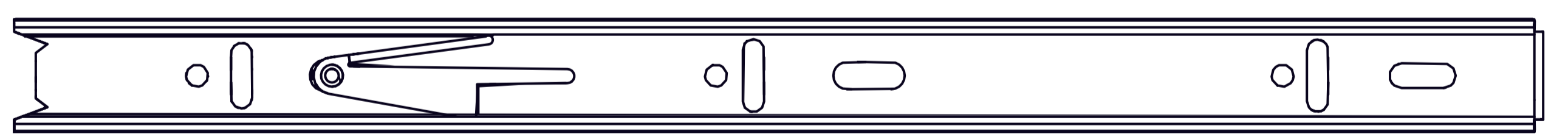


2. Then, pull it out to the right (XB.2)

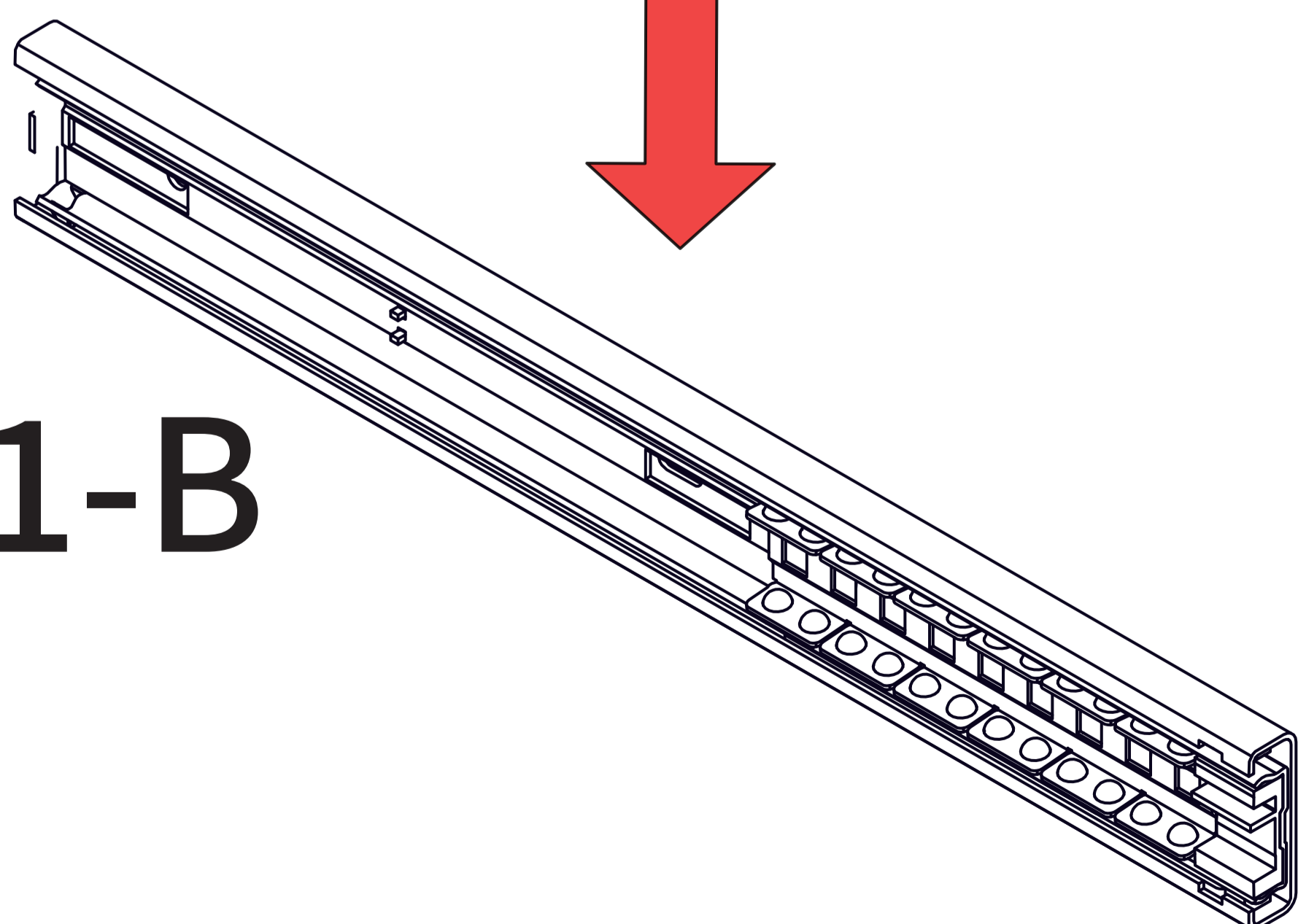
S.1-F



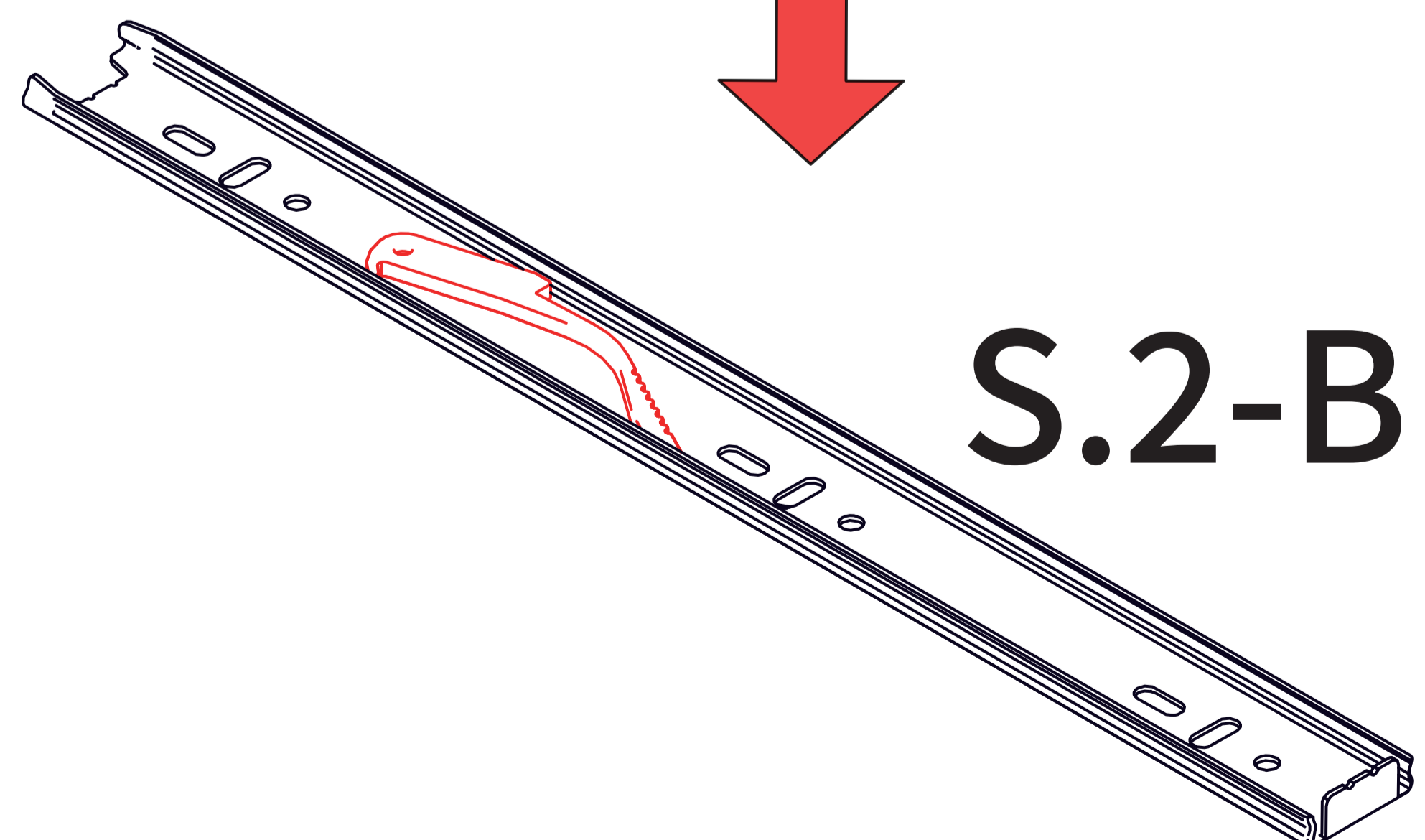
S.2-F



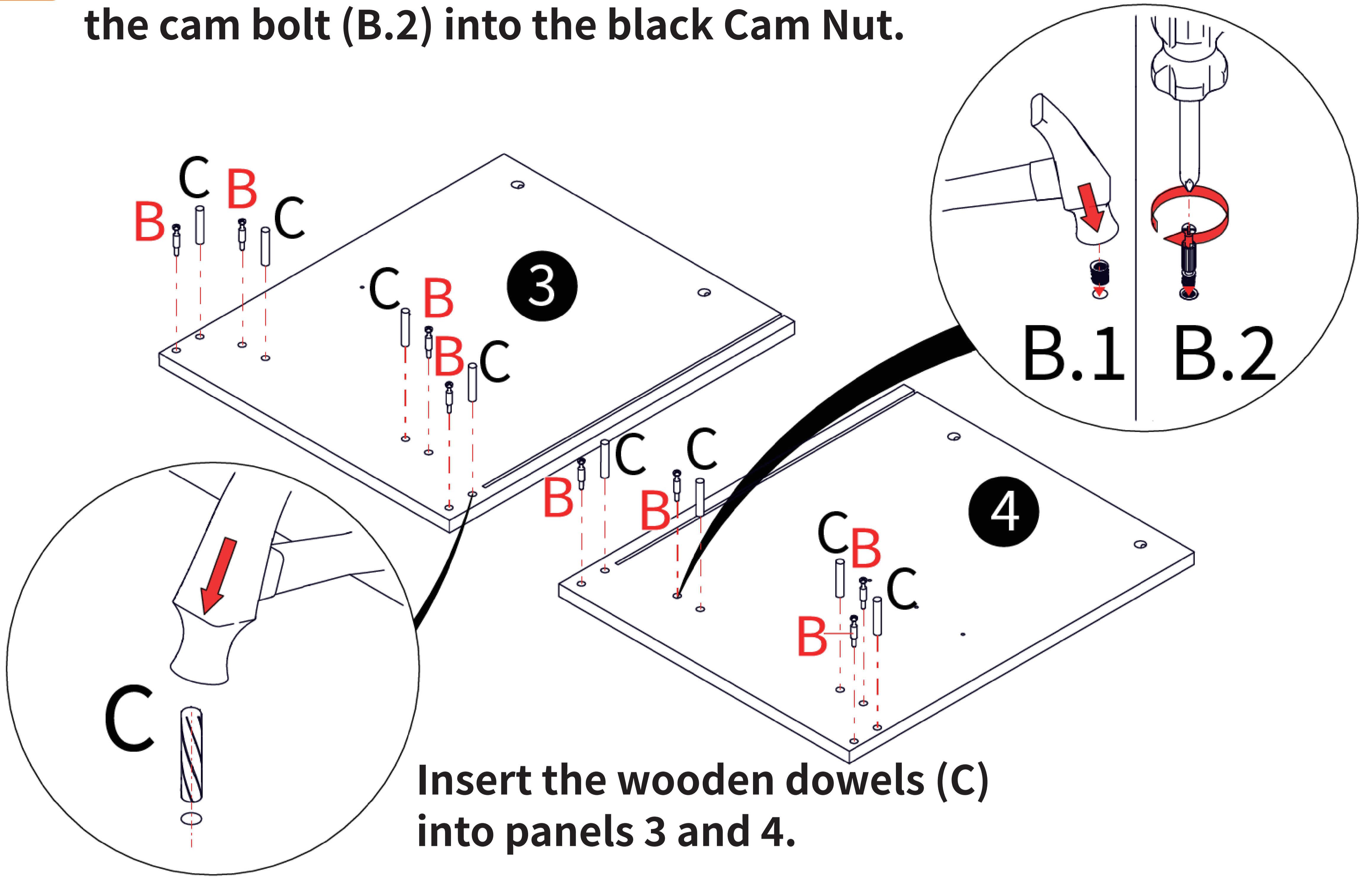
S.1-B



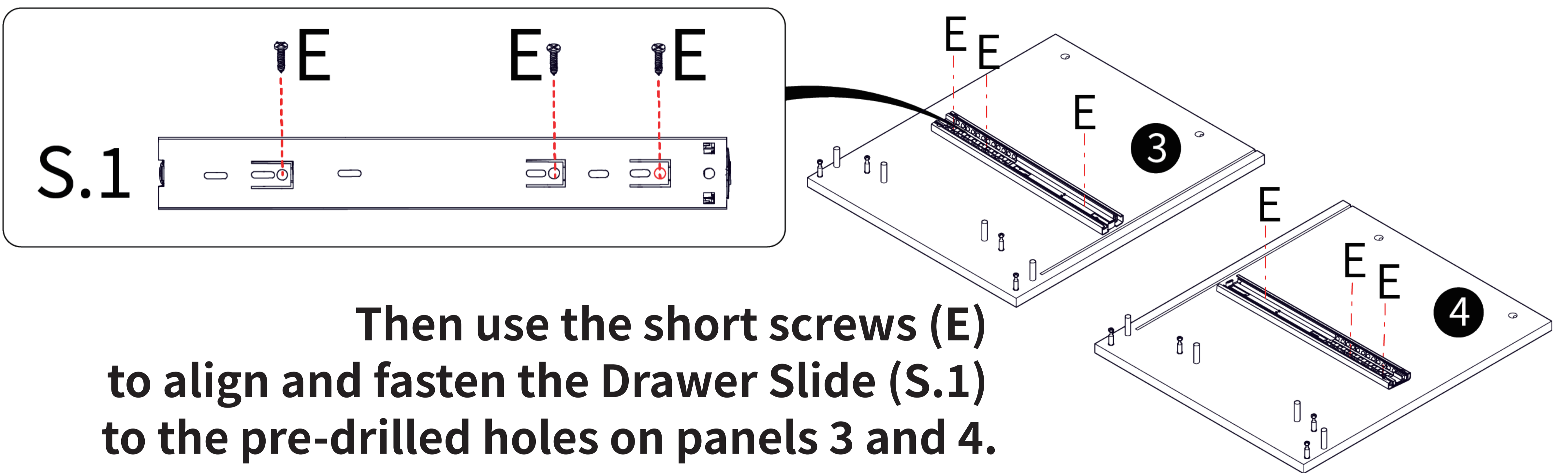
S.2-B



1 As shown in the figure, hammer the black Cam Nut (B.1) into panels 3 and 4 first, then use a screwdriver to screw the cam bolt (B.2) into the black Cam Nut.



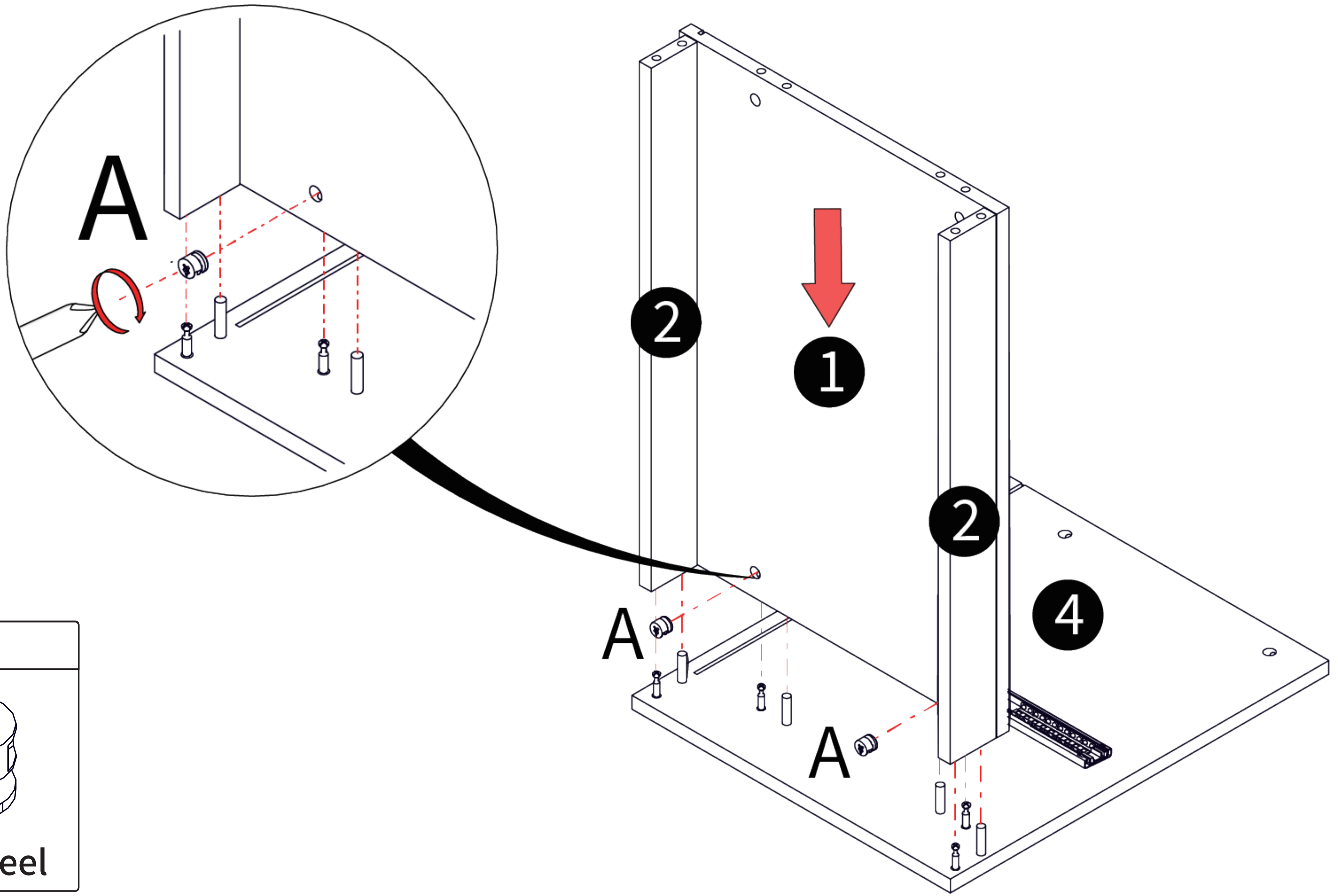
Insert the wooden dowels (C) into panels 3 and 4.



Then use the short screws (E) to align and fasten the Drawer Slide (S.1) to the pre-drilled holes on panels 3 and 4.

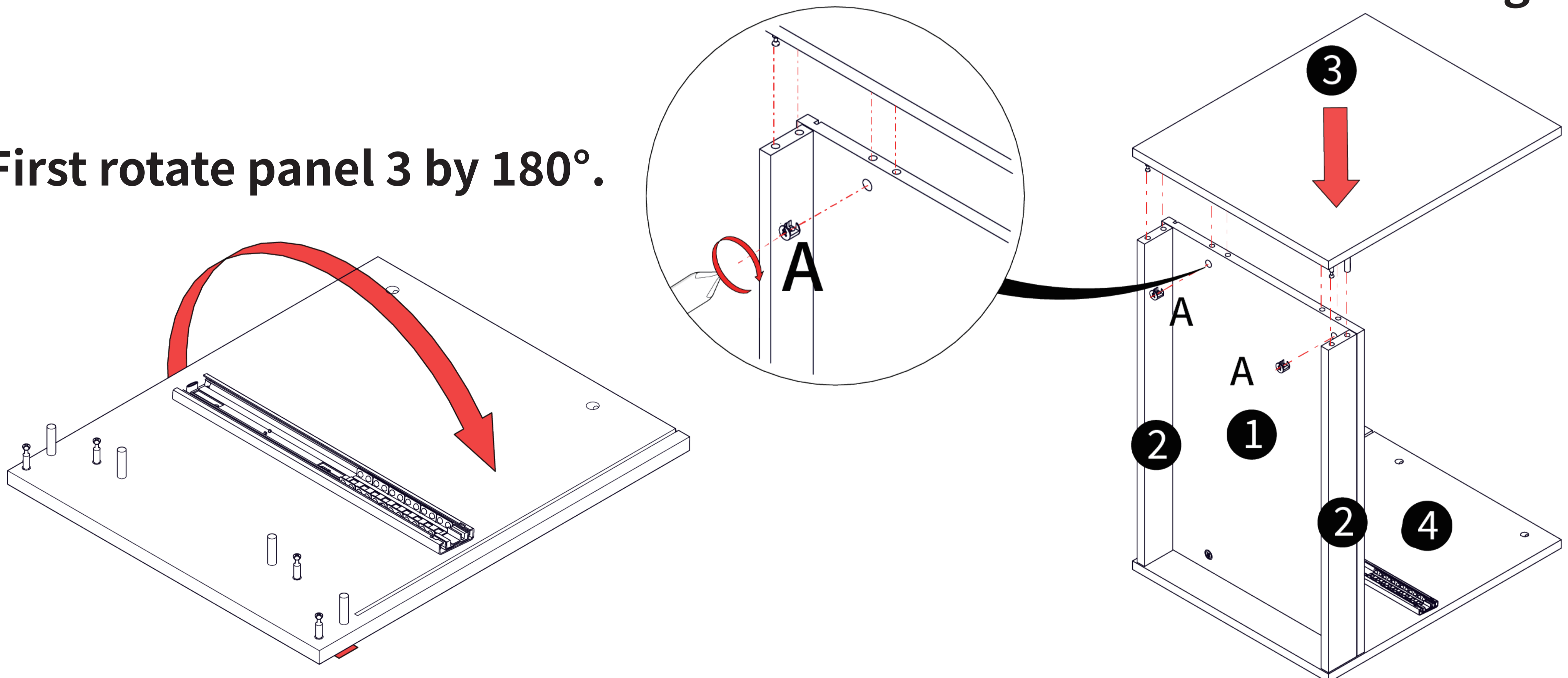
<p>Wooden dowel Diagram</p>			<p>C*8</p> <p>wooden dowel</p>	<p>B*8</p> <p>Cam bolt</p>
<p>Cam bolt Diagram</p>	<p>Unscrew the Cam Nut</p>	<p>Hammer into the hole</p>	<p>Screw in the Cam Dowel</p>	
<p>S.1*2</p> <p>Drawer Slide</p>		<p>E*6</p> <p>short screw</p>		

2 As shown in the figure, connect panel 4 to panels 1 and 2, and press the Cam wheel (A) into panels 1 and 2. Then rotate to tighten.

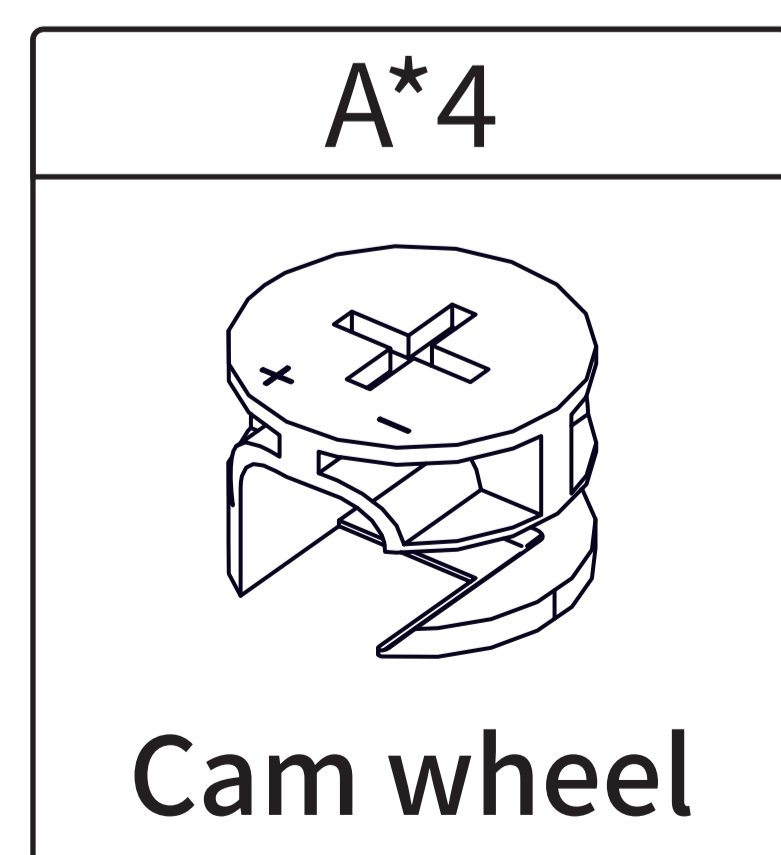
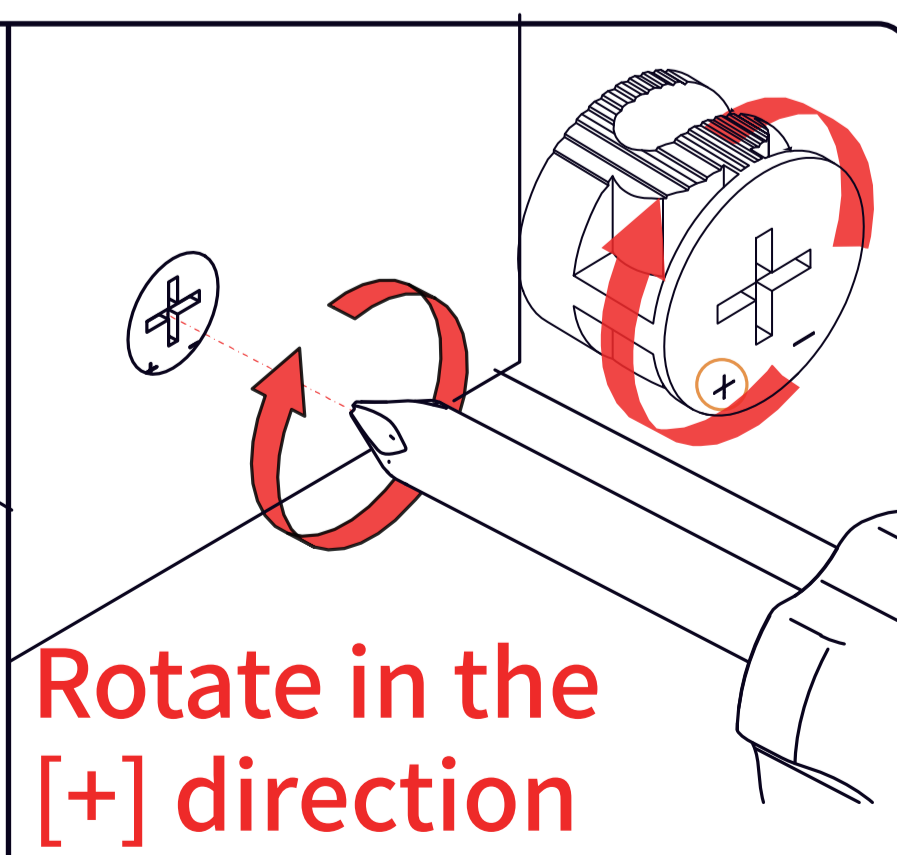
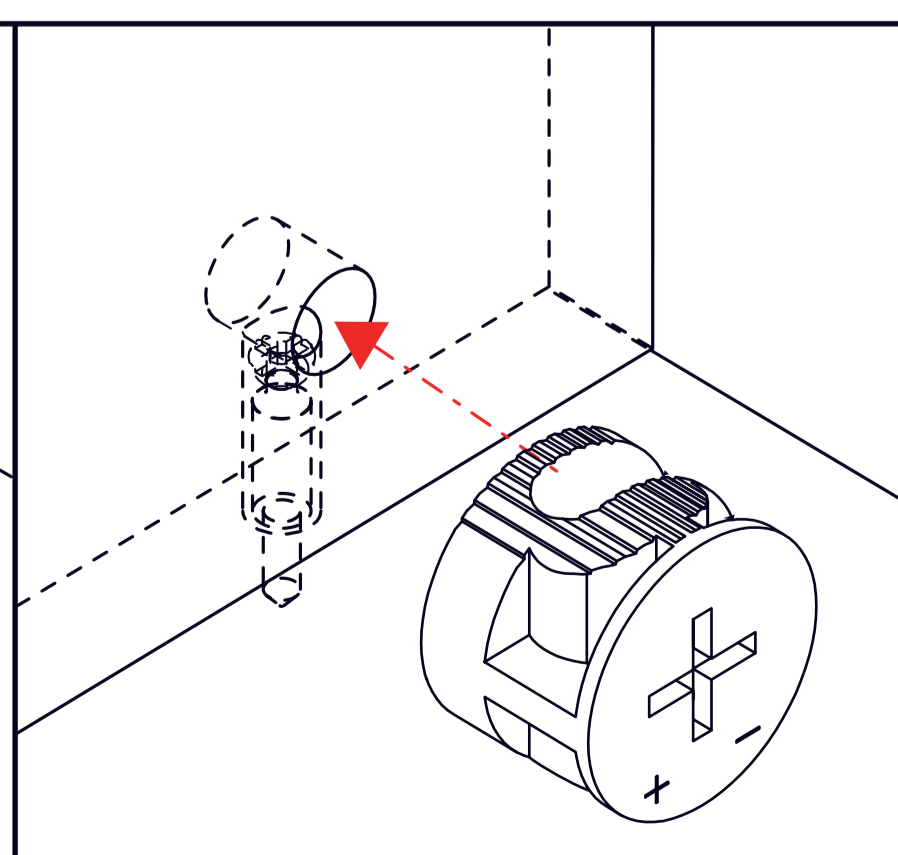
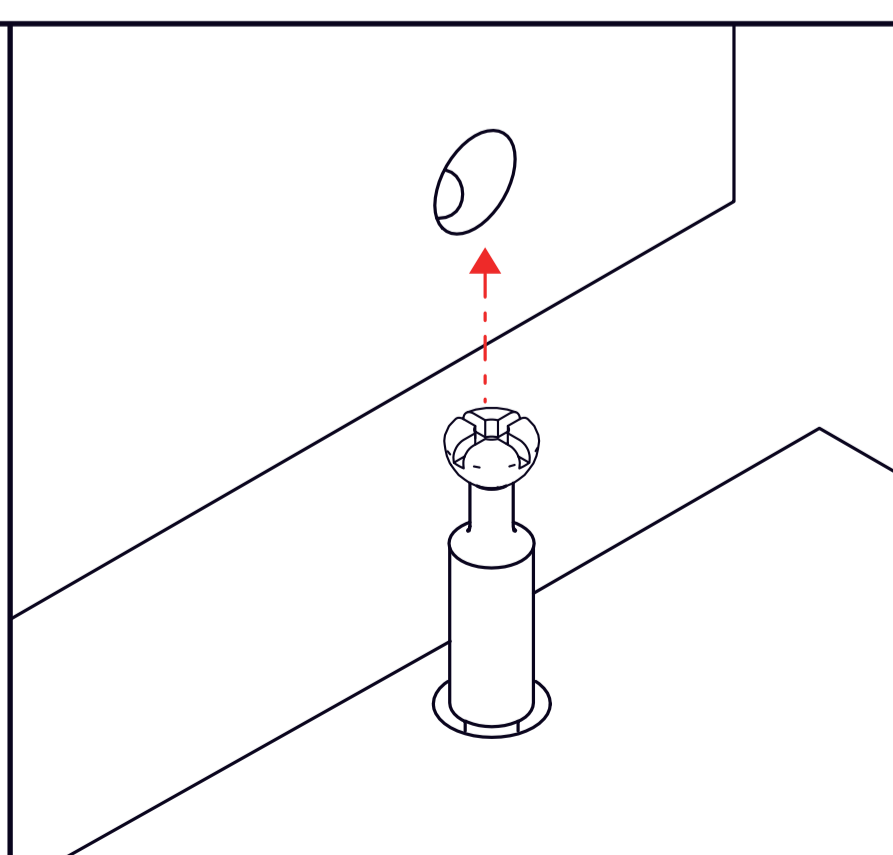


3 Then connect panel 3 to panels 1 and 2, and press the Cam wheel (A) into panels 1 and 2. Then rotate to tighten.

First rotate panel 3 by 180°.



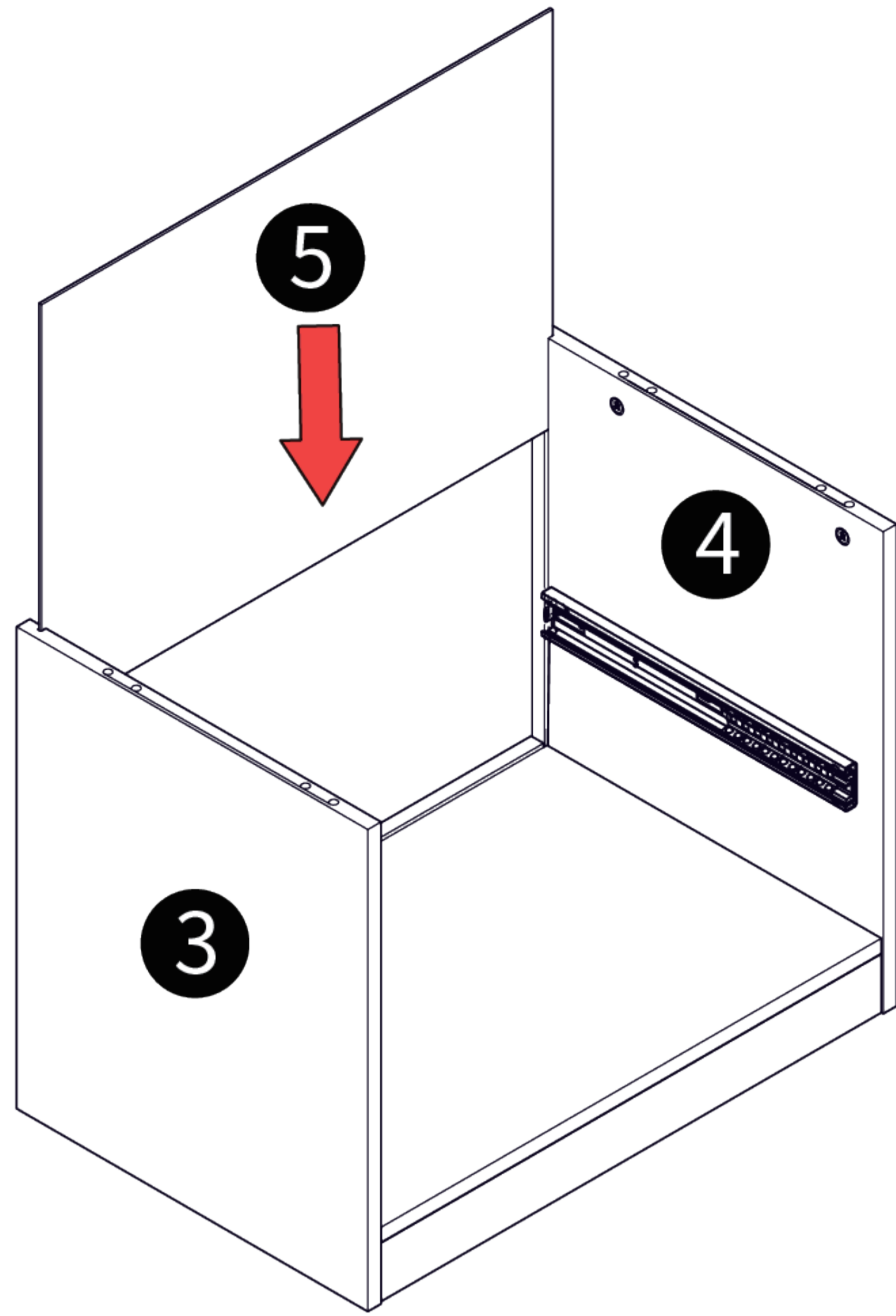
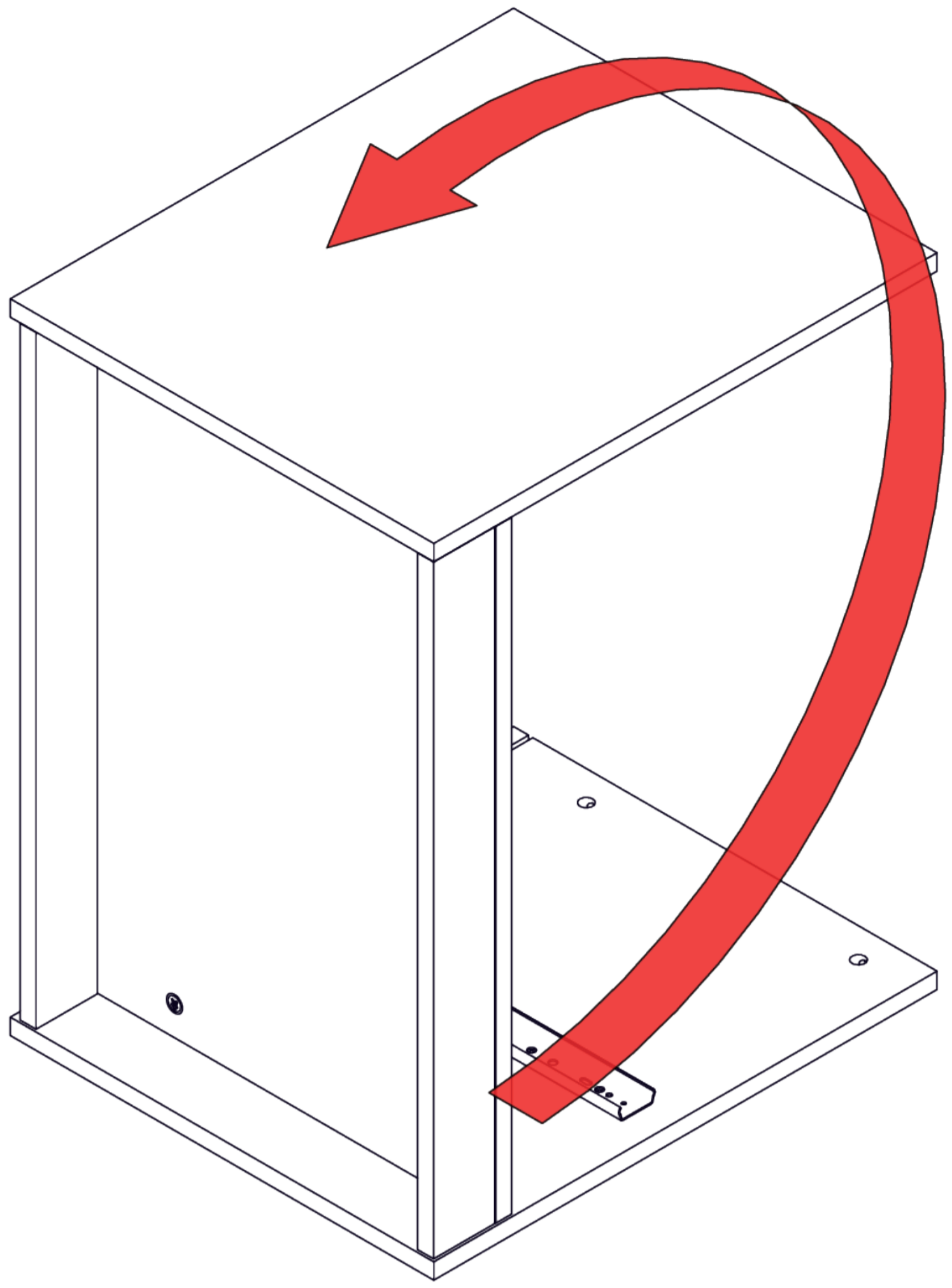
Cam wheel Diagram



4

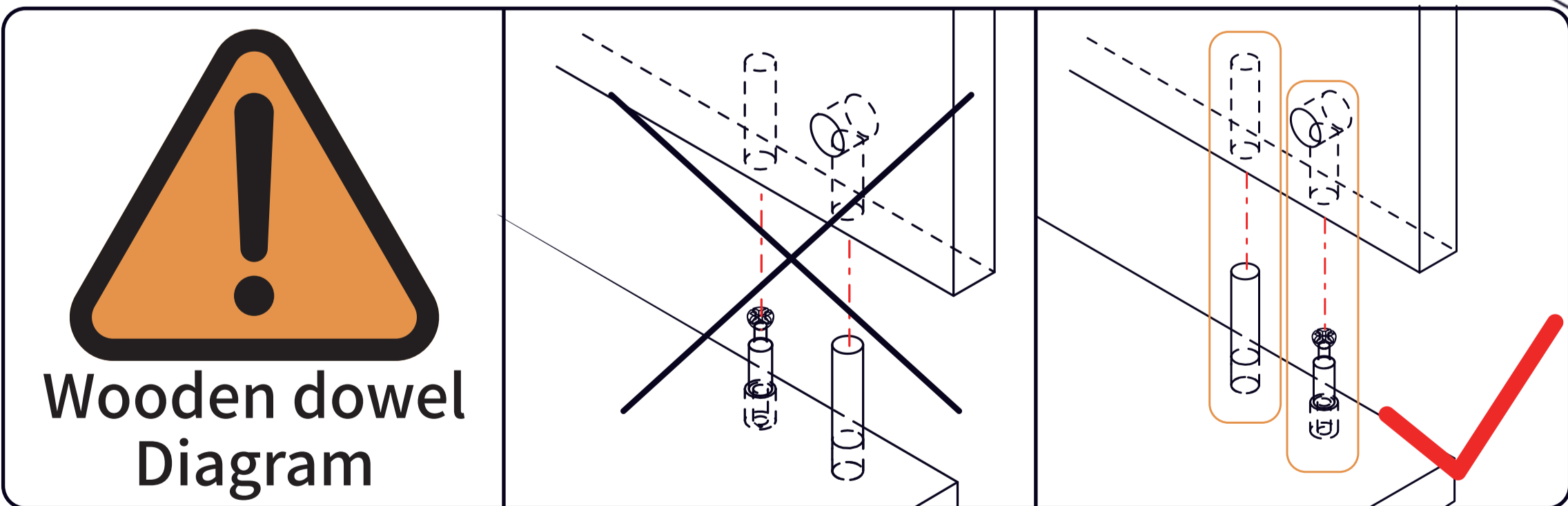
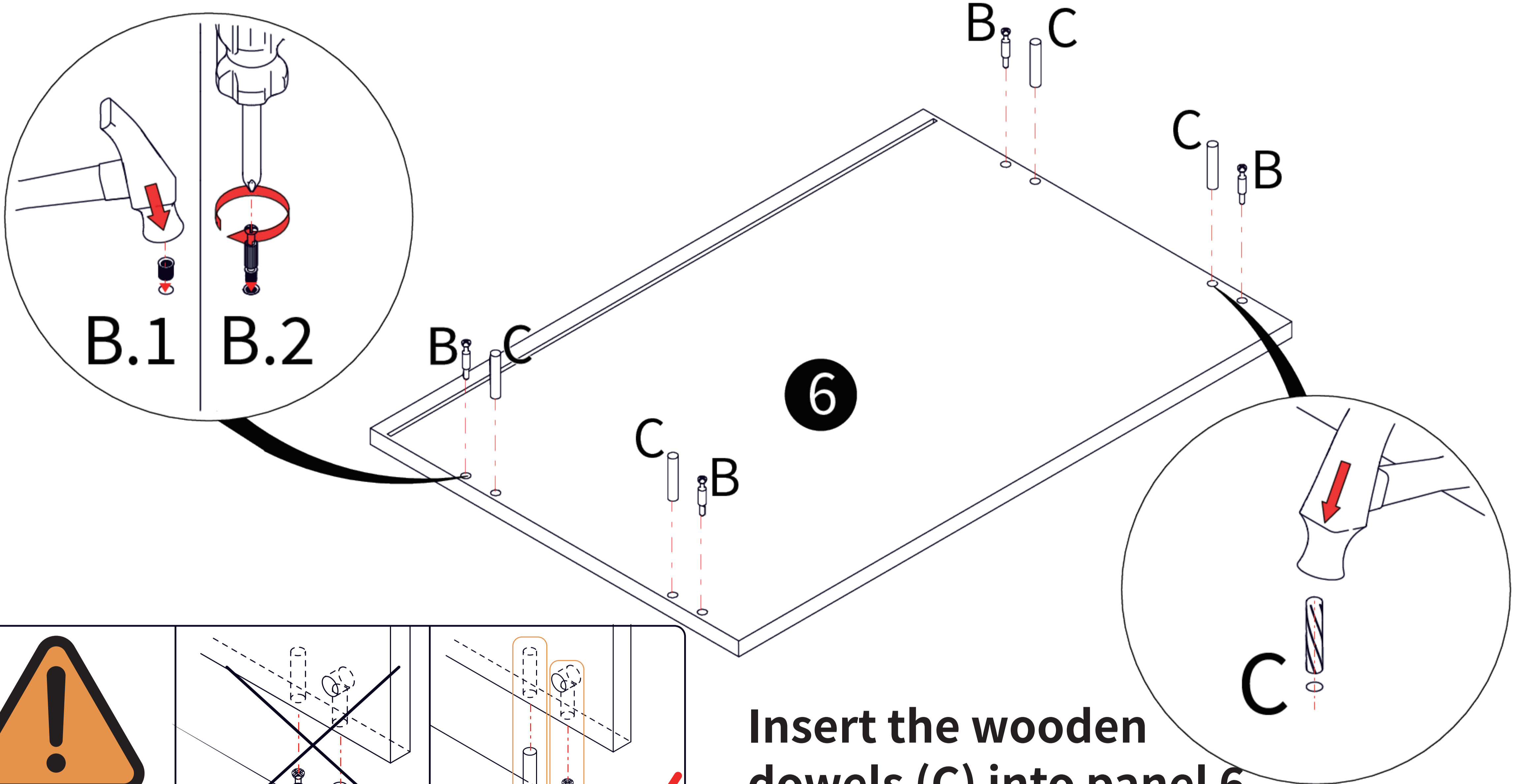
then slide back panel 5 into the grooves.

First rotate the cabinet by 90°.

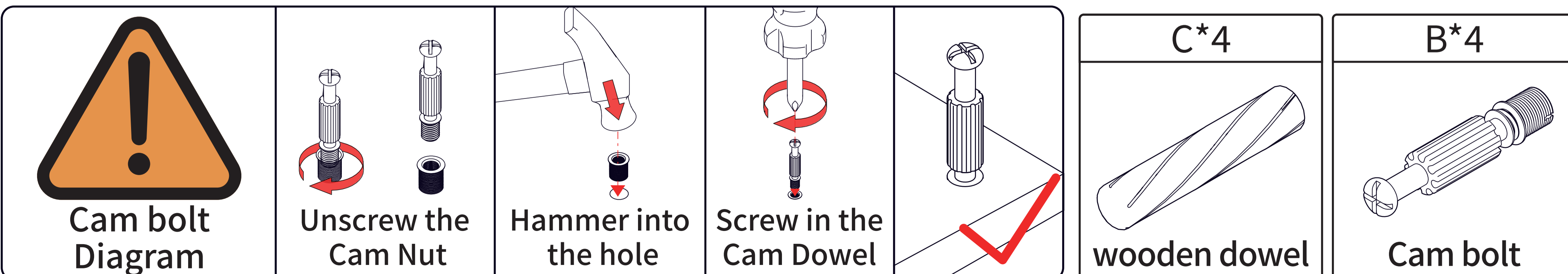


5

As shown in the figure, hammer the black Cam Nut (B.1) into panel 6 first, then use a screwdriver to screw the cam bolt (B.2) into the black Cam Nut.



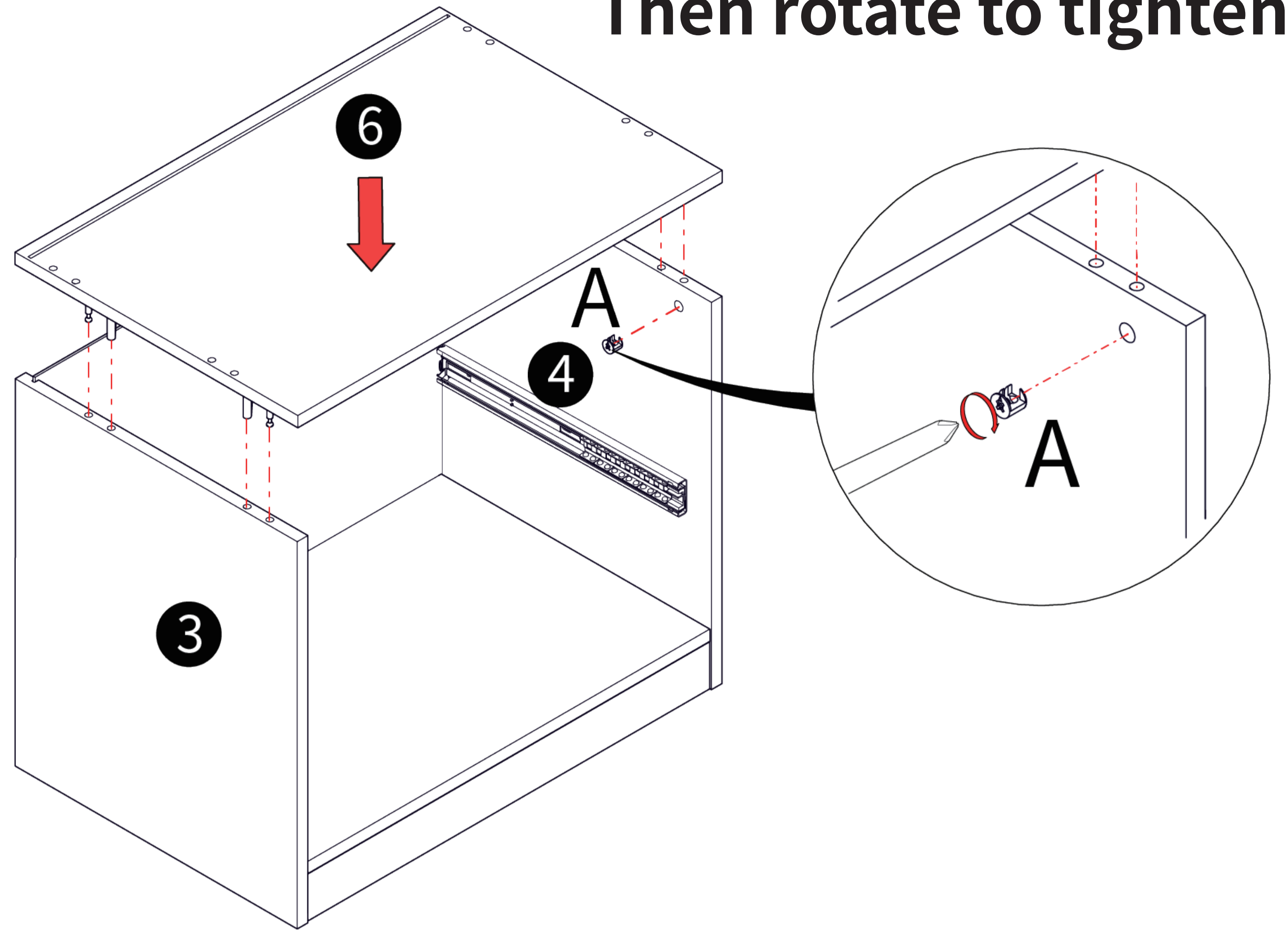
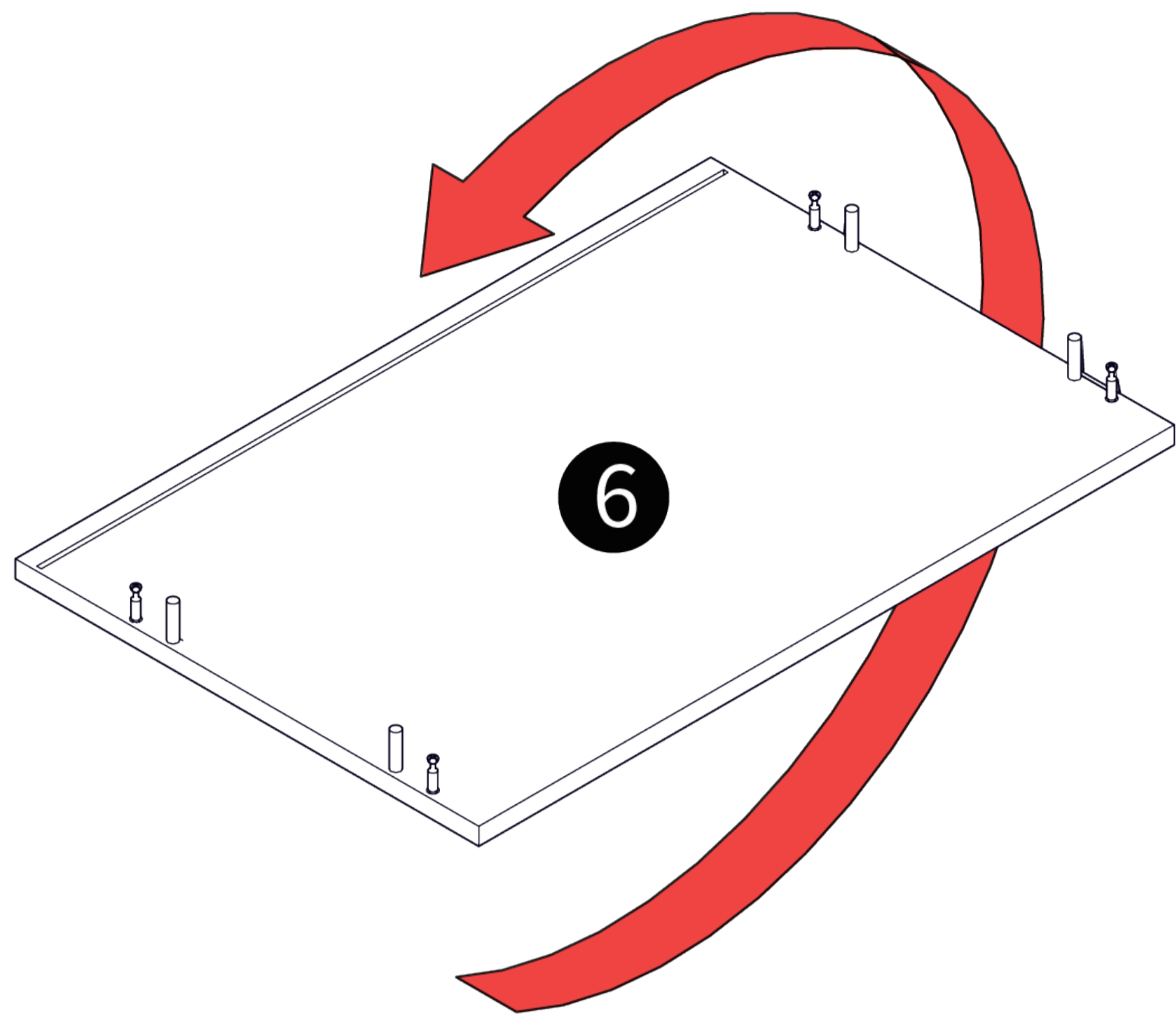
Insert the wooden dowels (C) into panel 6.



6

Then connect panel 6 to panels 3, 4, and 5, and press the Cam wheel (A) into panels 3 and 4. Then rotate to tighten.

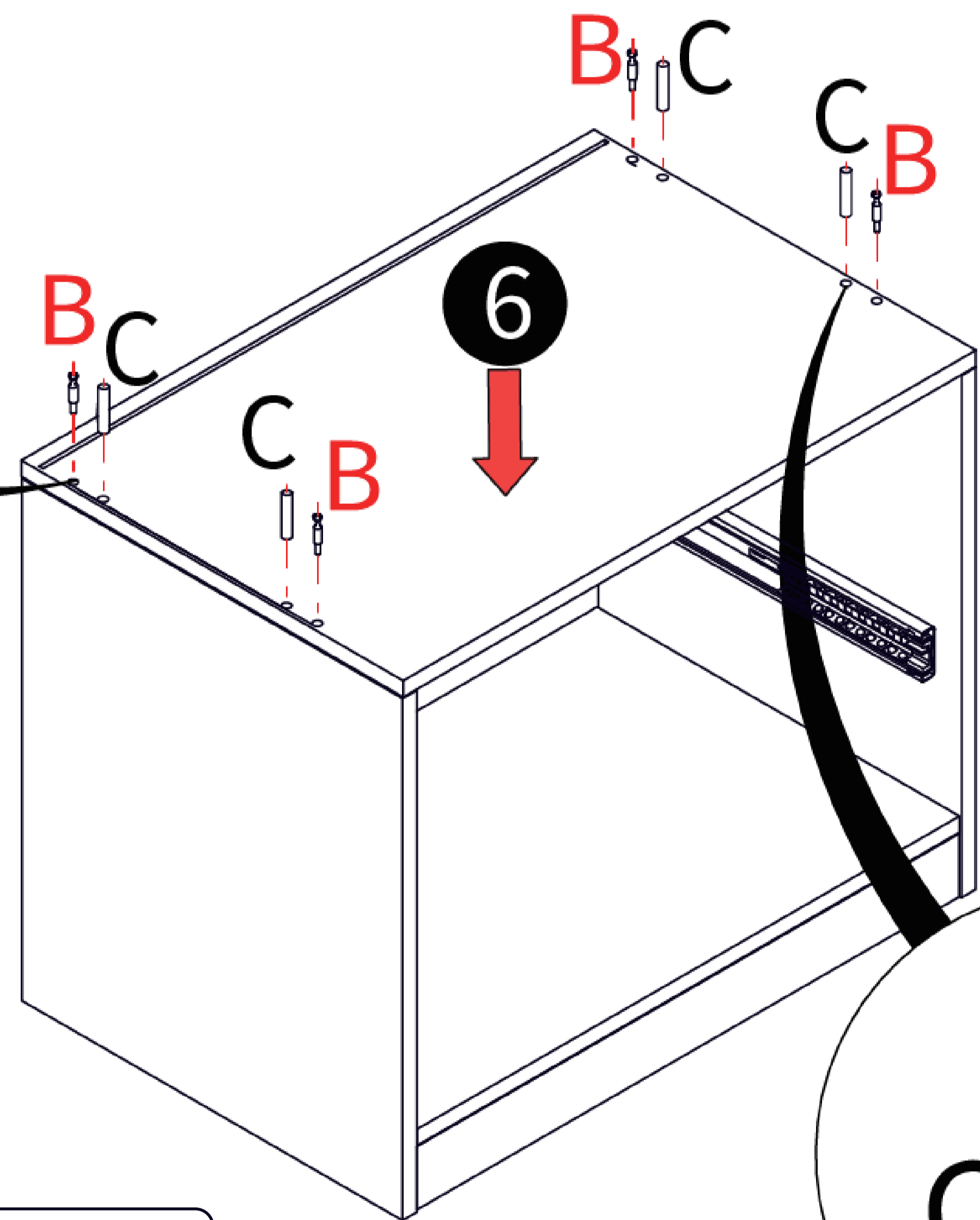
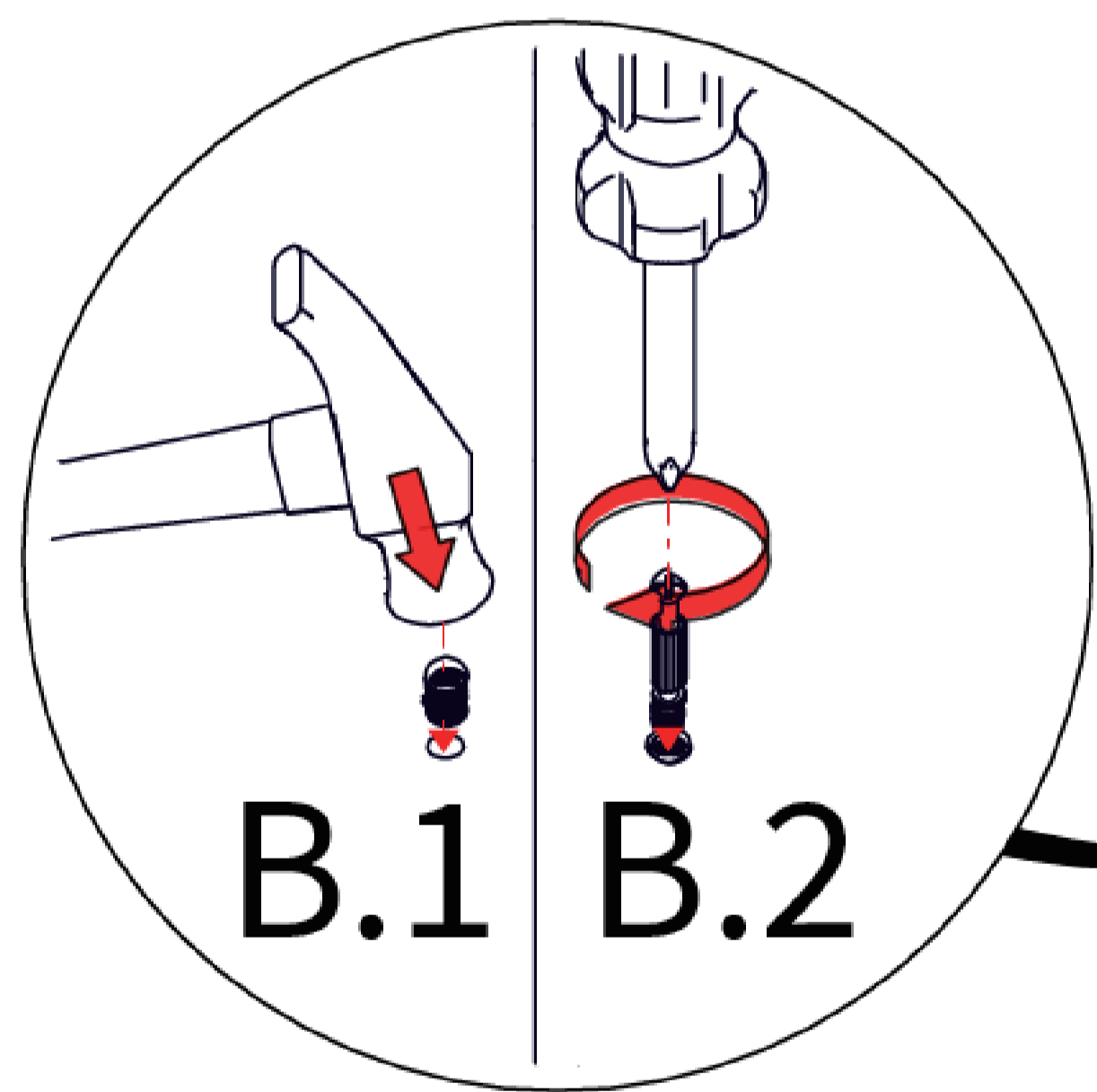
Rotate panel 6 by 180° first.



 Cam wheel Diagram			 Rotate in the [+] direction	A*4 Cam wheel
------------------------------	--	--	------------------------------------	-----------------------------

7 As shown in the figure, hammer the black Cam Nut (B.1) into panel 6 again, then screw the cam bolt (B.2) into the black Cam Nut.

C*4 wooden dowel	B*4 Cam bolt
--------------------------------	----------------------------

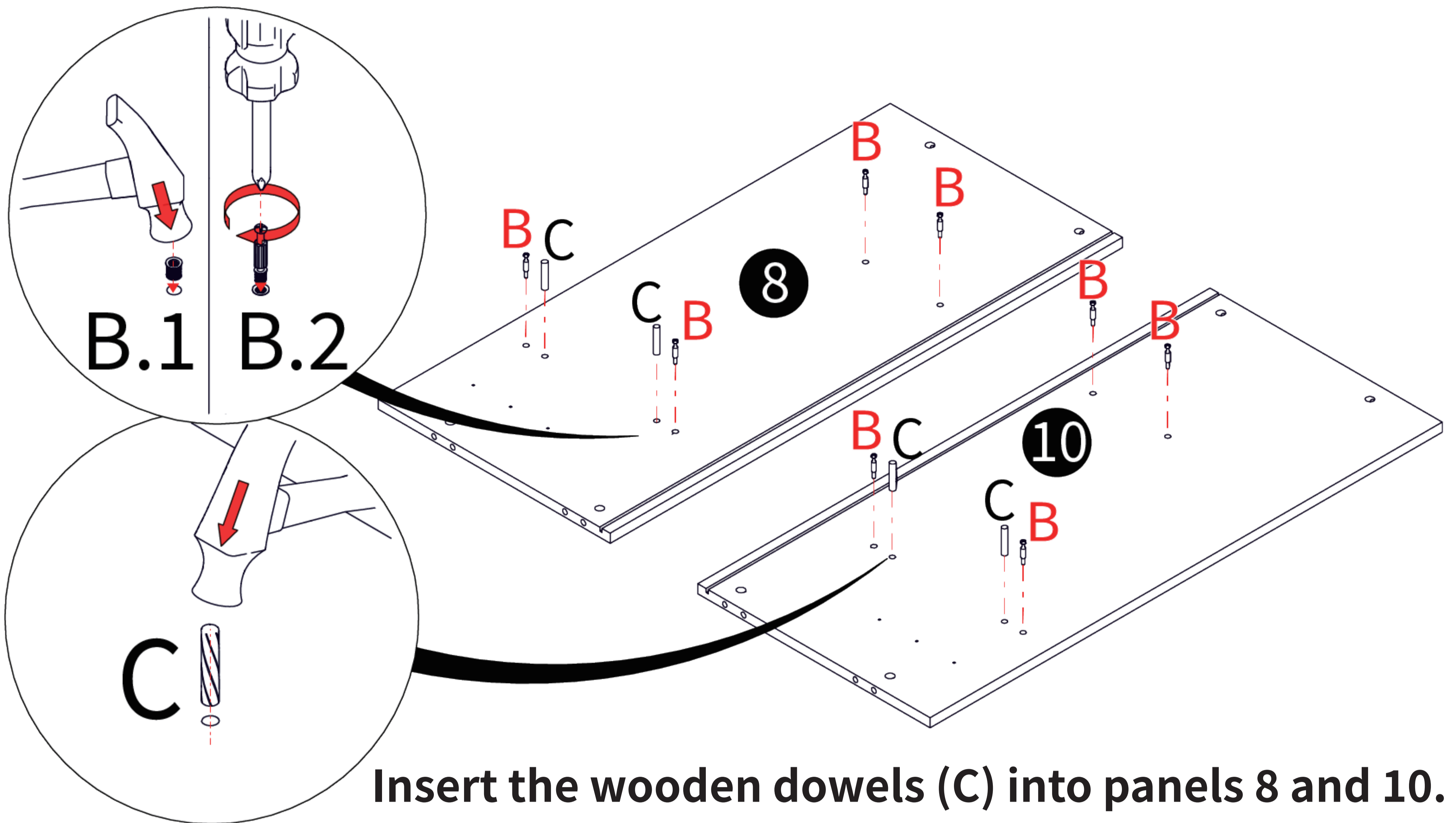


 Wooden dowel Diagram		
---------------------------------	--	--

 Cam bolt Diagram	 Unscrew the Cam Nut	 Hammer into the hole	 Screw in the Cam Dowel	
-----------------------------	-------------------------	--------------------------	----------------------------	--

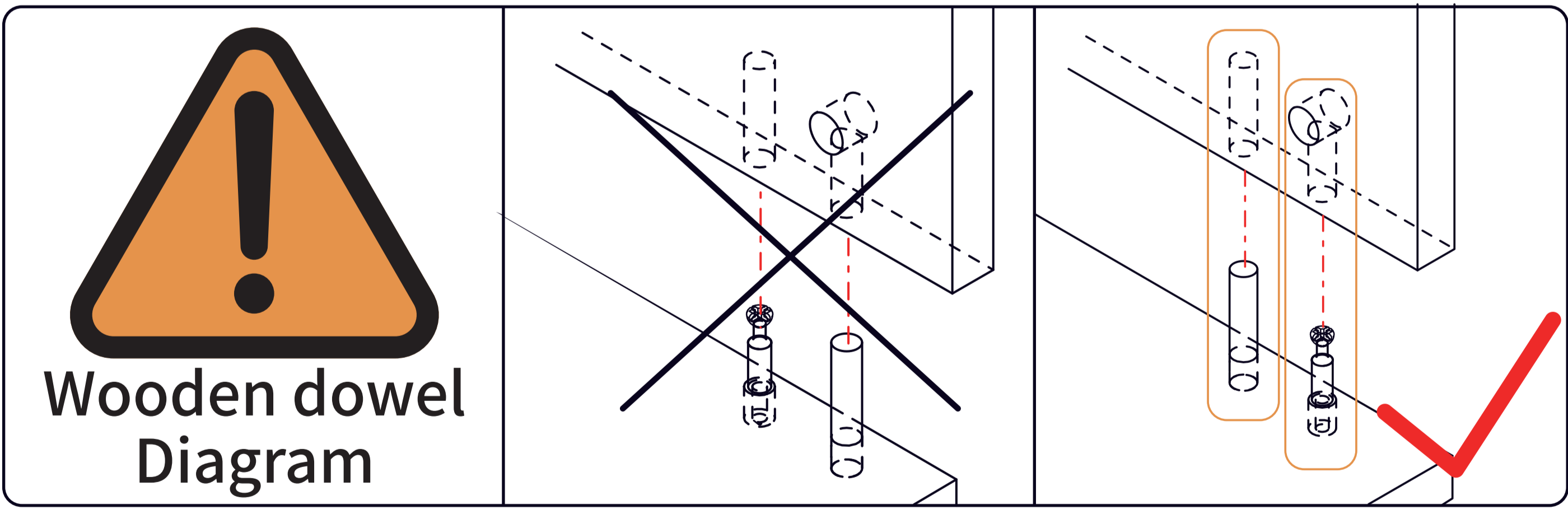
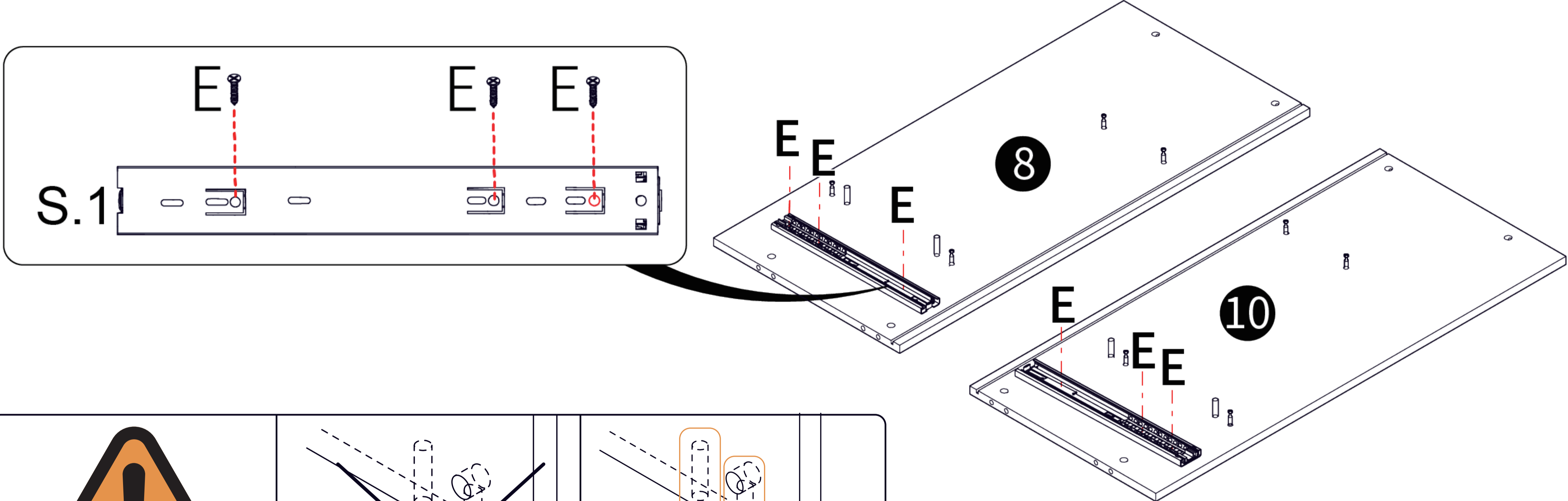
Insert the wooden dowels (C) into panel 6.

8 First, tap the black Cam Nut (B.1) into panels 8 and 10. Then use a screwdriver to screw the cam bolt (B.2) into the black Cam Nut.

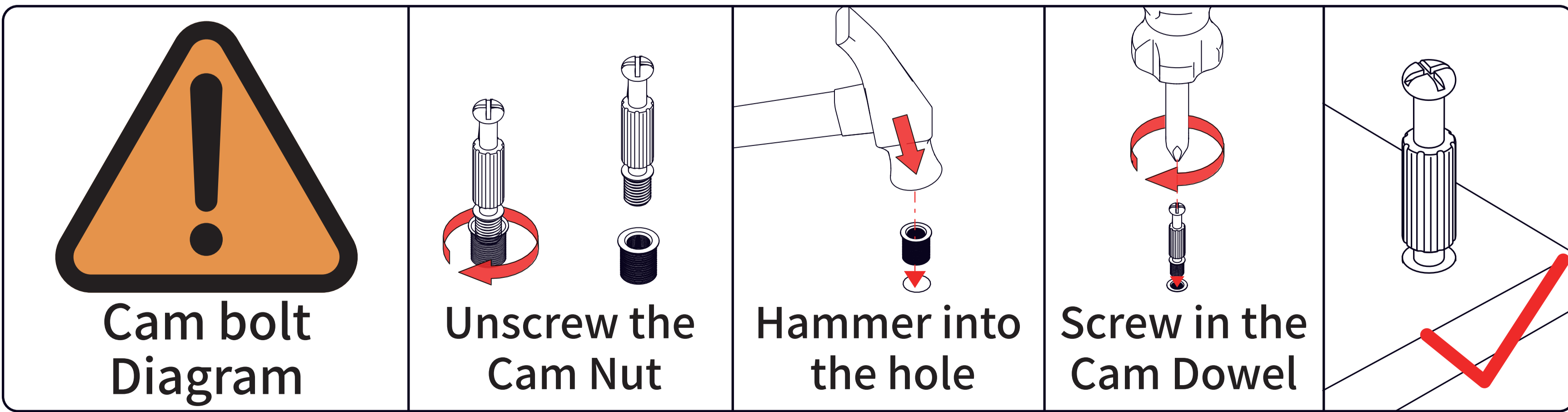


Insert the wooden dowels (C) into panels 8 and 10.

Next, use the short screws (E) to align and fasten the drawer slide (S.1) to the pre-drilled holes on panels 8 and 10.



Wooden dowel Diagram

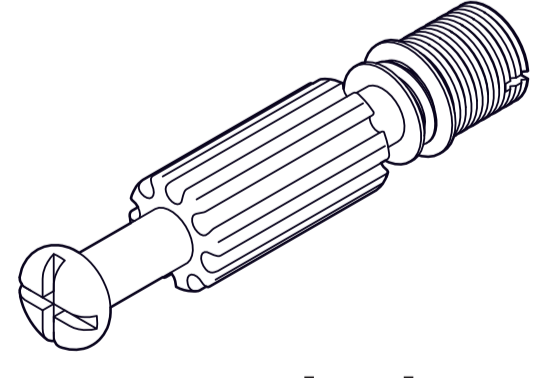
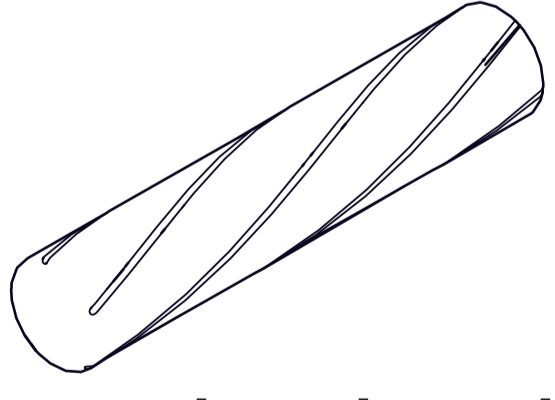
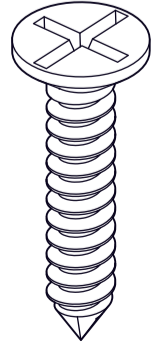
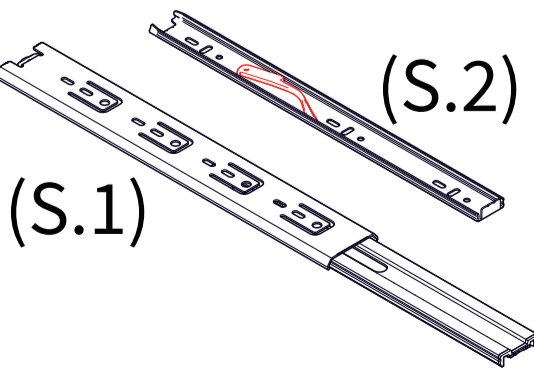


Cam bolt Diagram

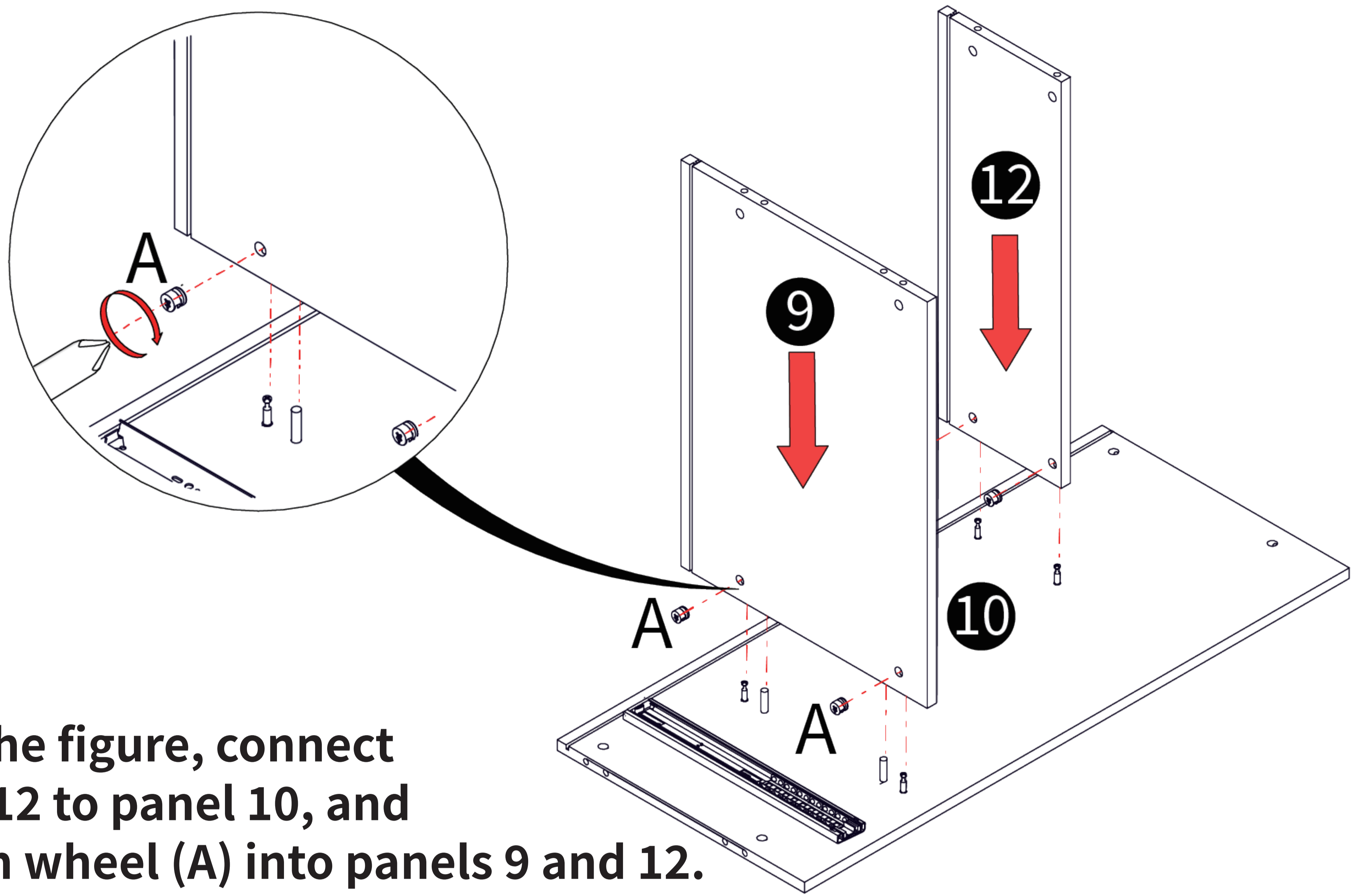
Unscrew the Cam Nut

Hammer into the hole

Screw in the Cam Dowel

B*8  Cam bolt	C*4  wooden dowel
E*6  short screw	S.1*2  Drawer Slid

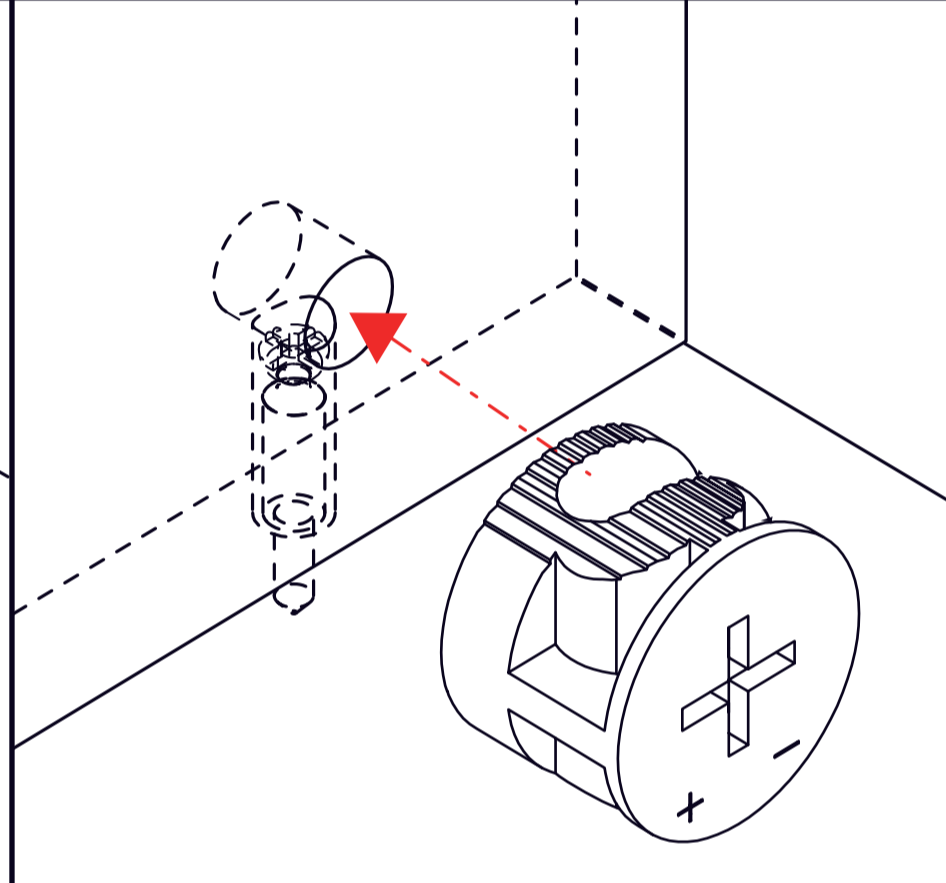
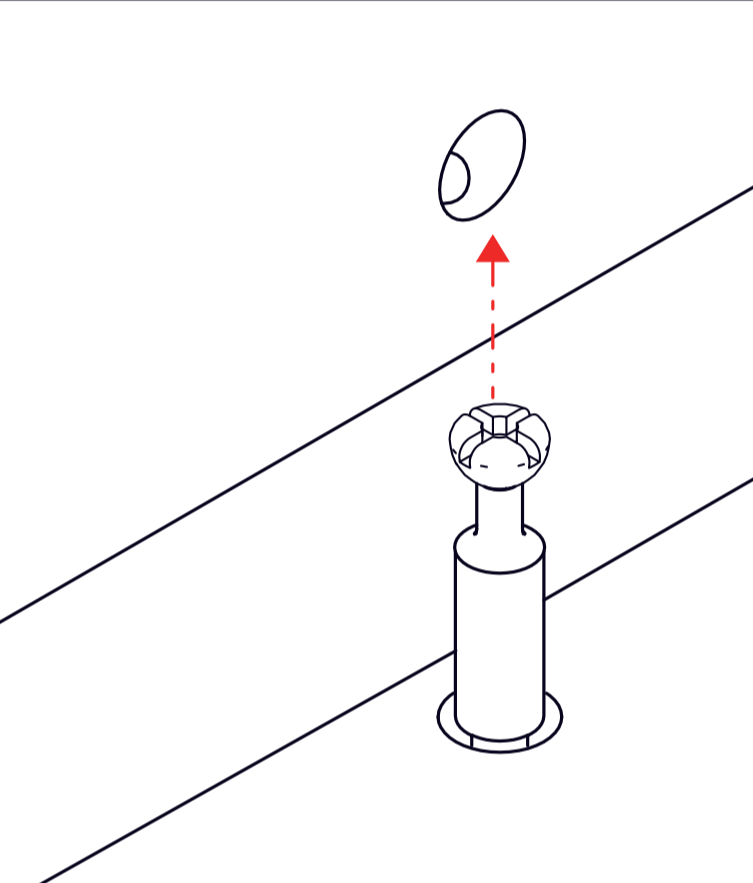
9



As shown in the figure, connect panels 9 and 12 to panel 10, and press the Cam wheel (A) into panels 9 and 12. Then rotate to tighten.

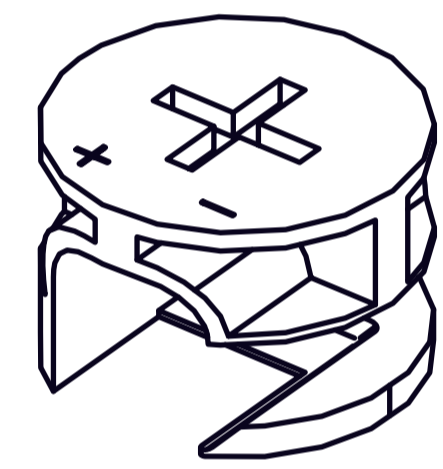


Cam wheel Diagram



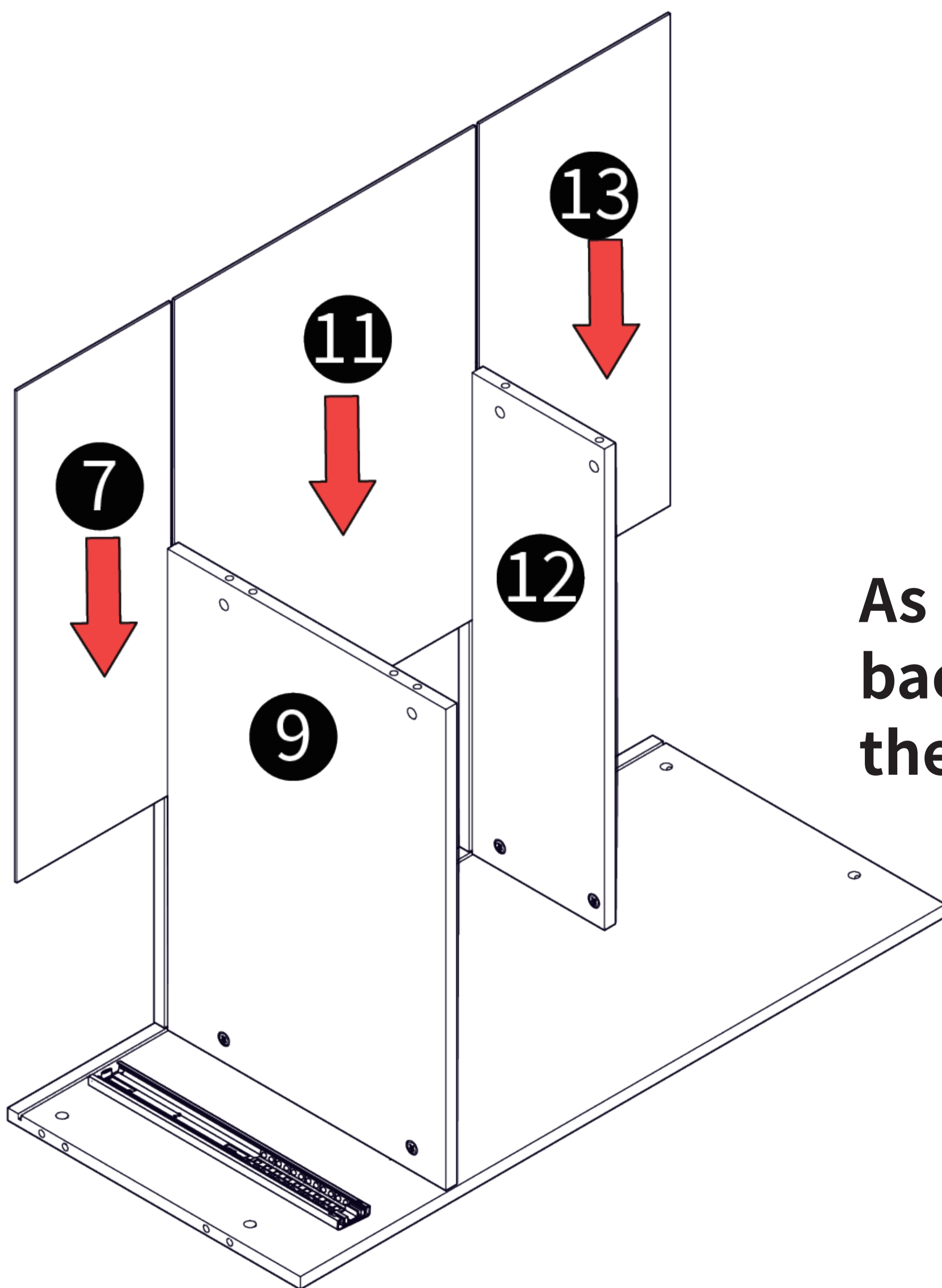
Rotate in the [+]
direction

A*4



Cam wheel

10

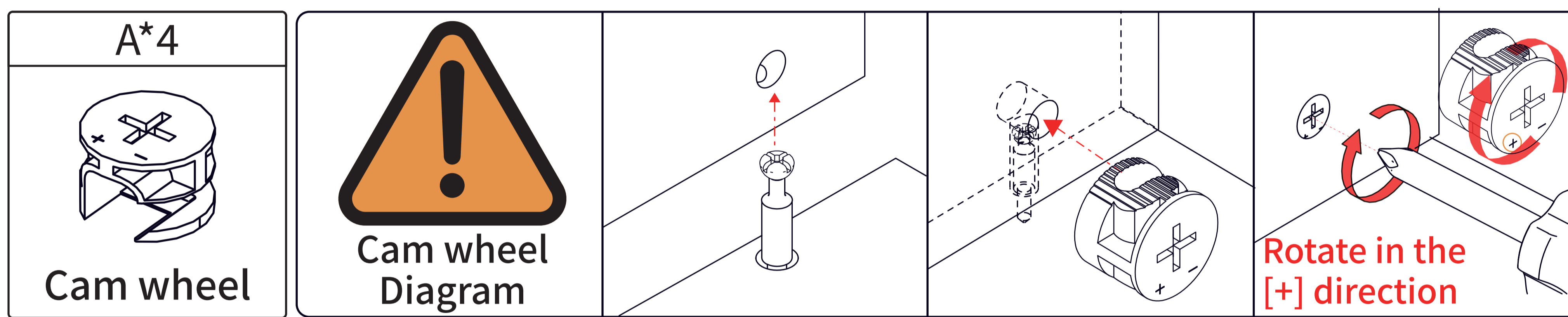
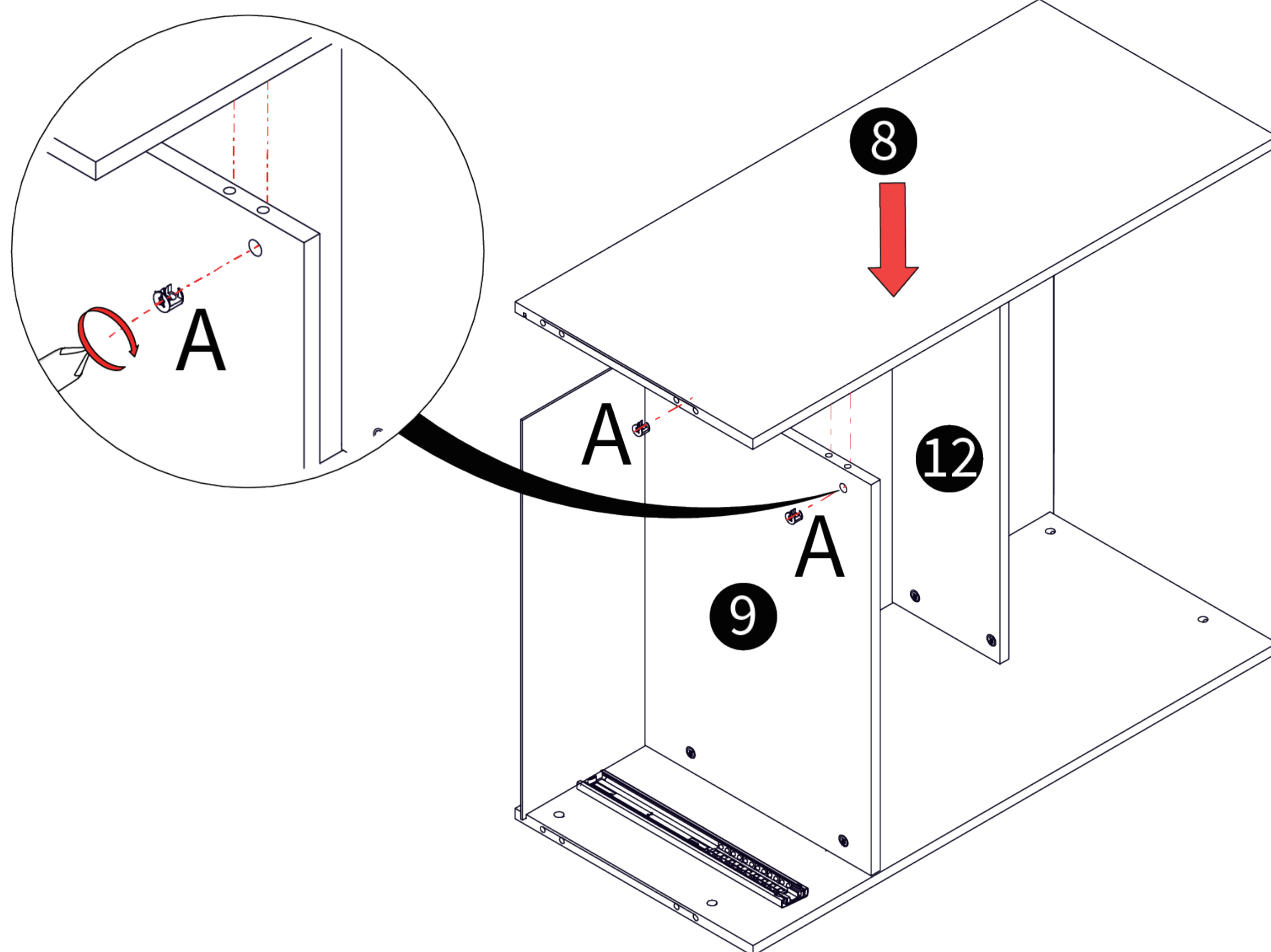
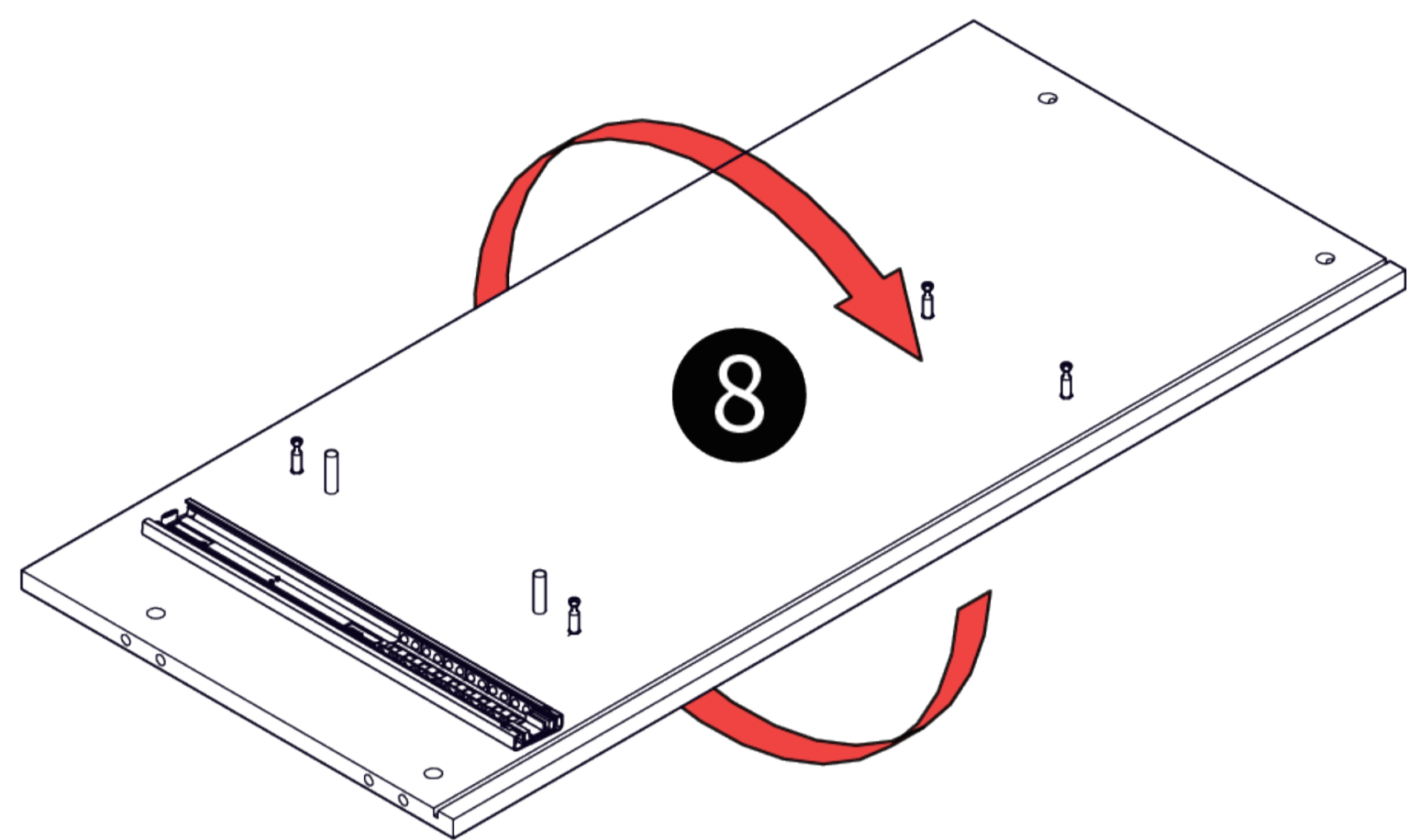


As shown in the figure, slide back panels 7, 11, and 13 along the grooves.

11

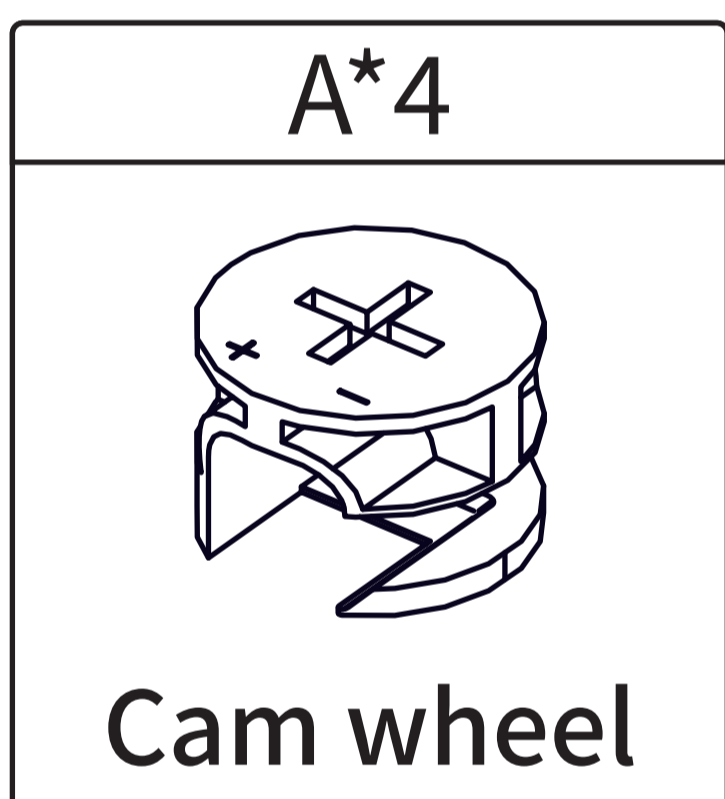
then connect panel 8 to panels 9 and 12.
Press the Cam wheel (A) into panels 9 and 12.
Then rotate to tighten.

Rotate panel 8 by 180° first.

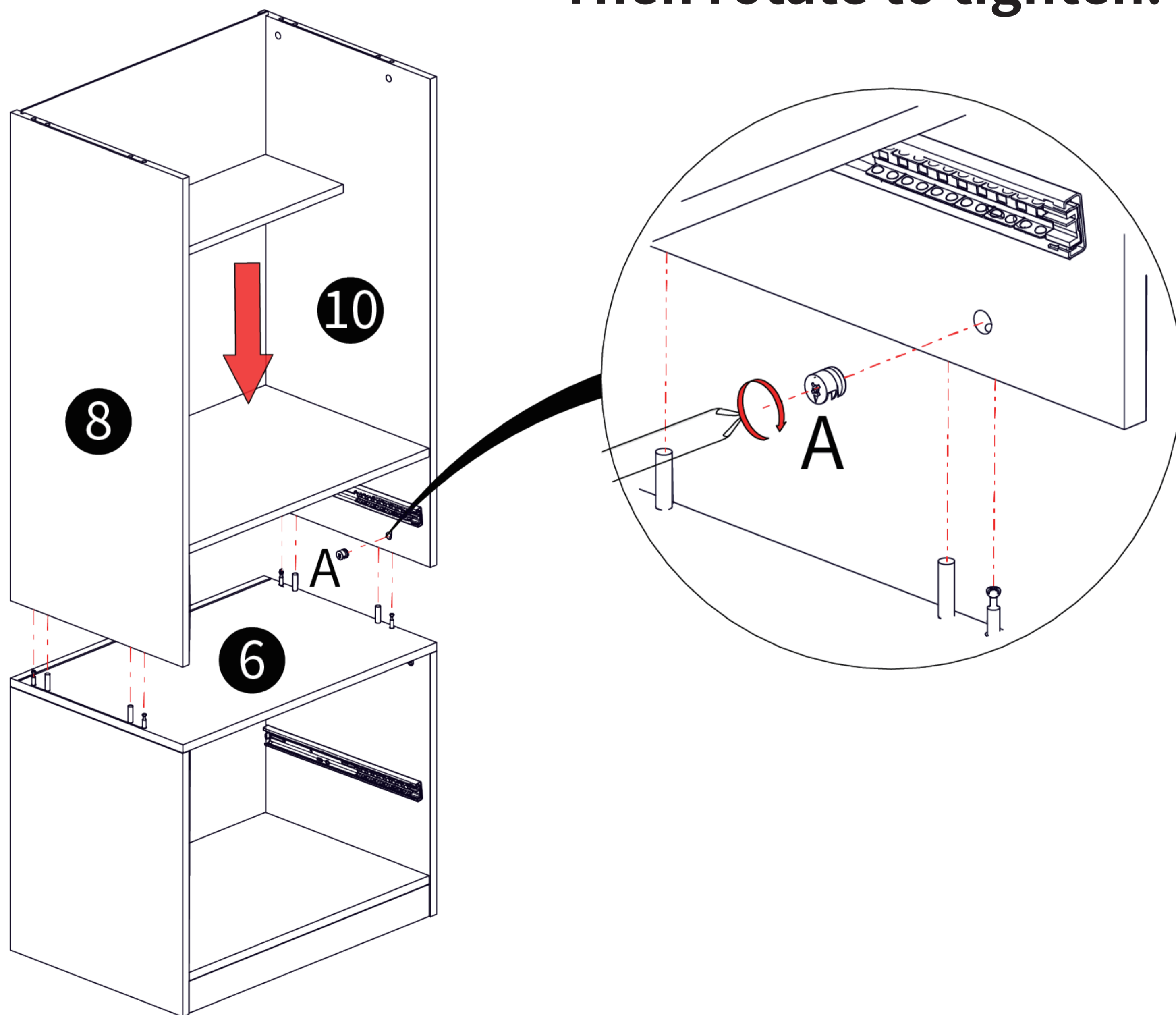
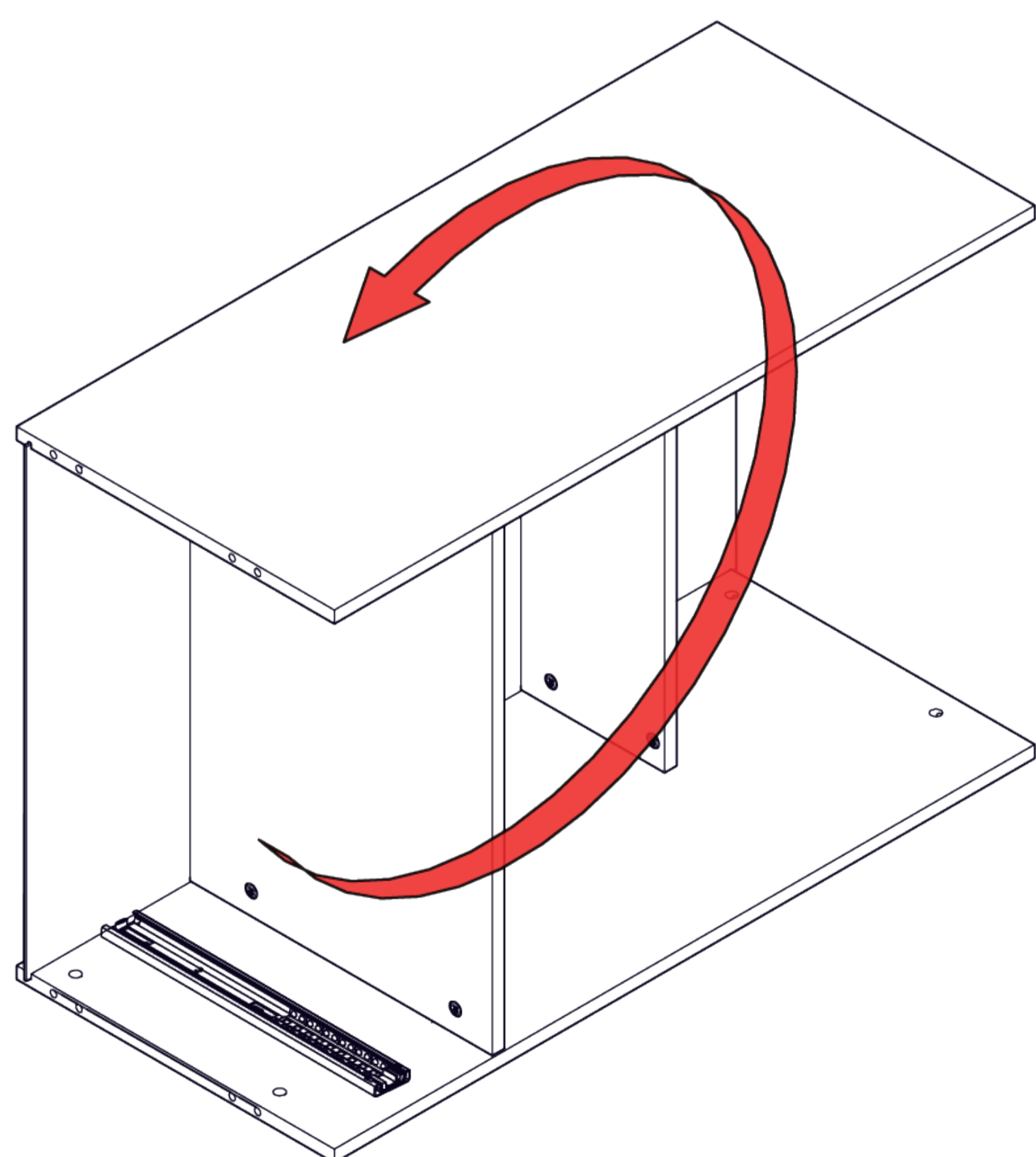


12

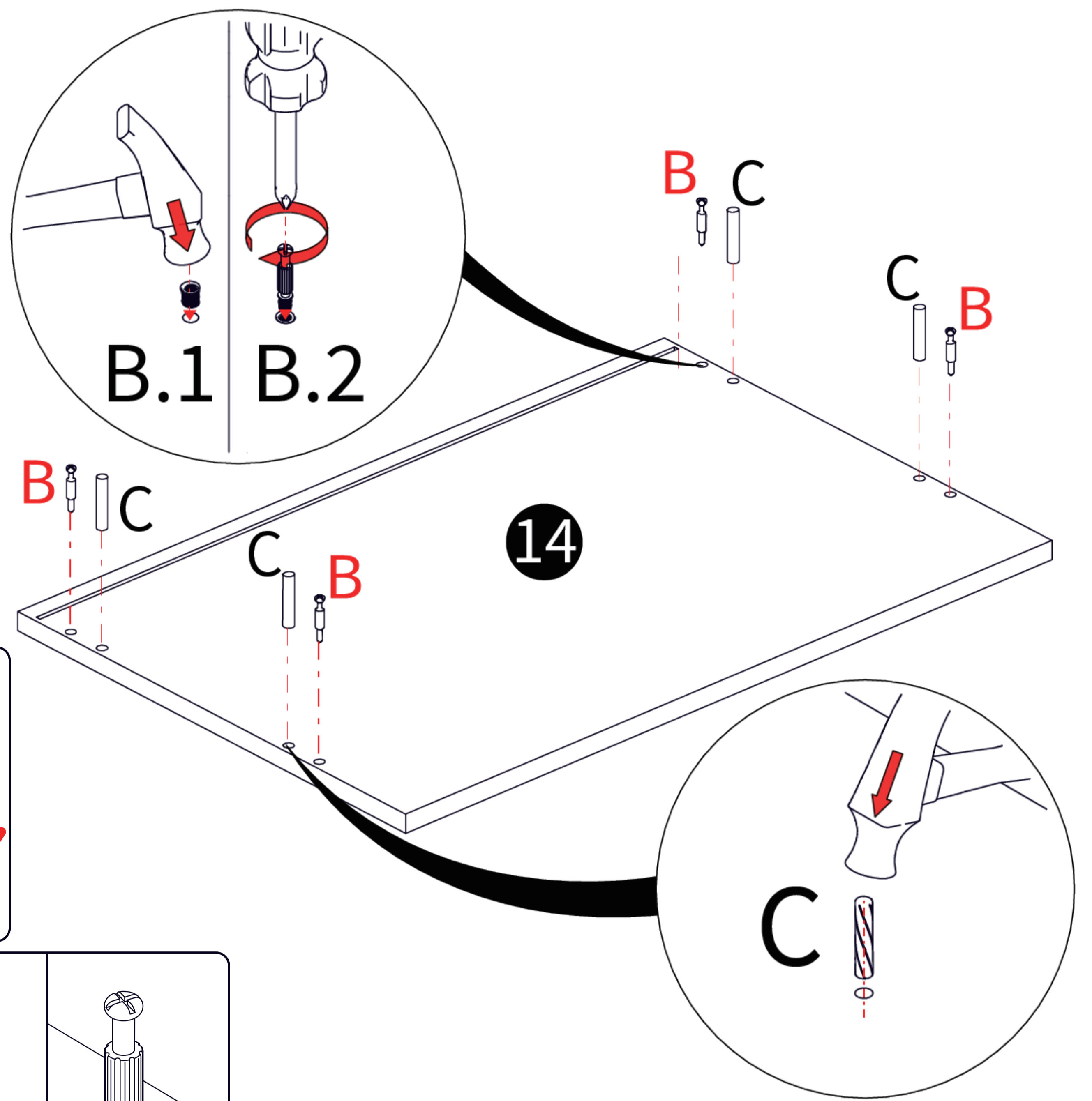
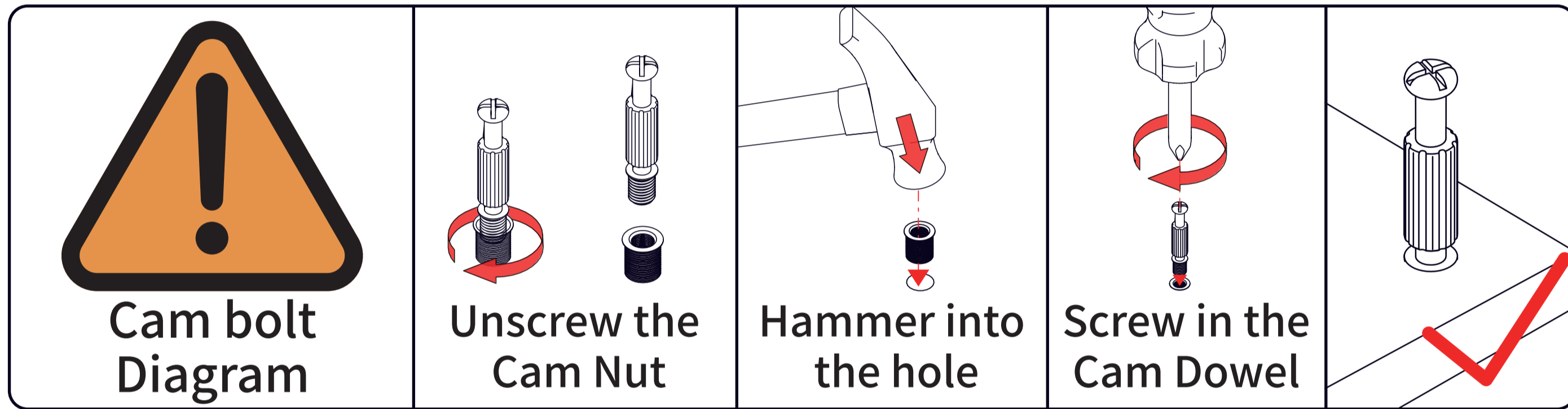
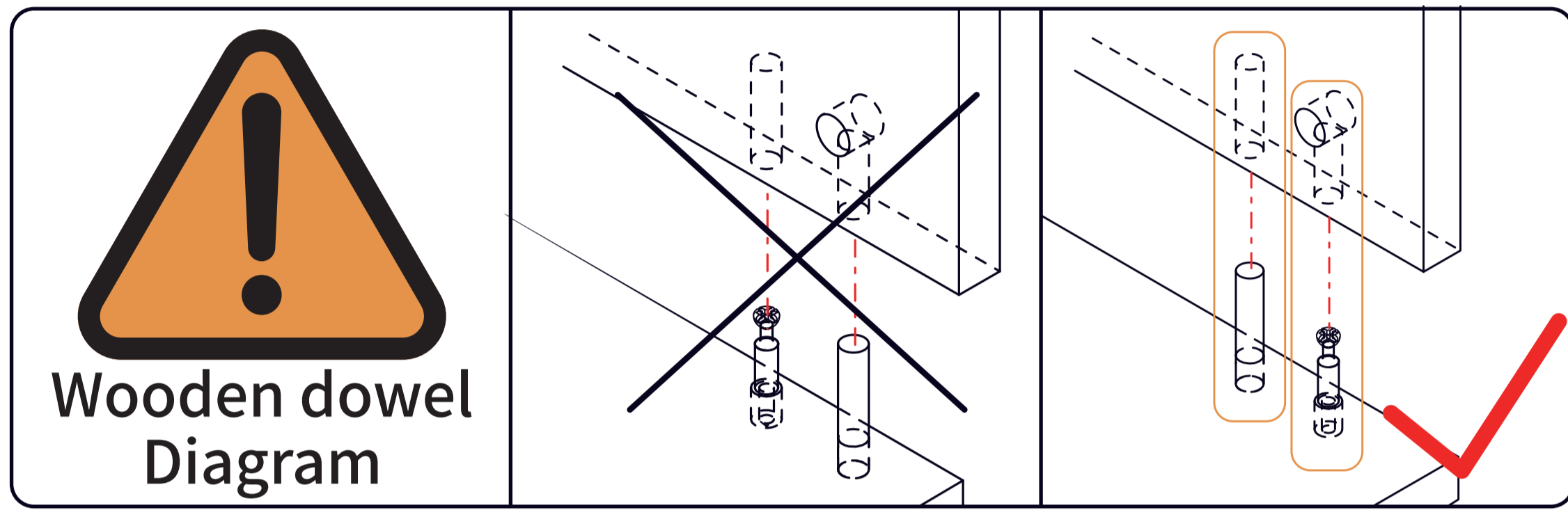
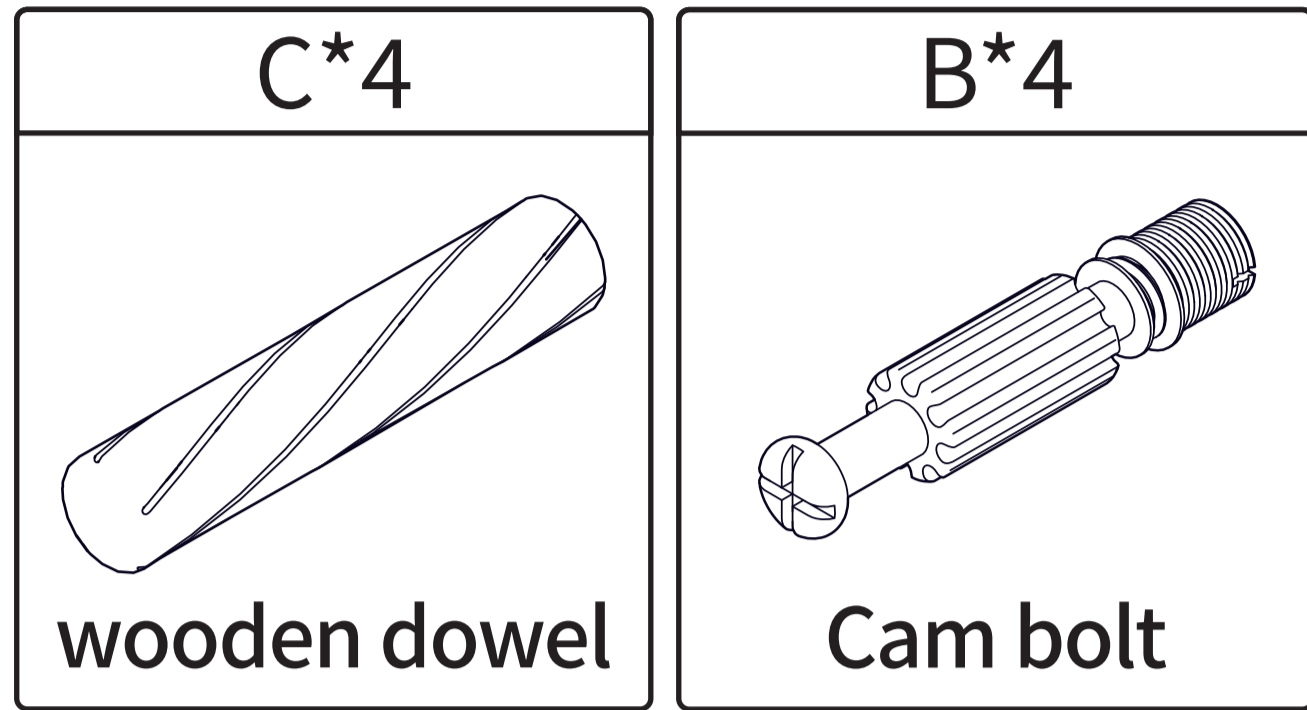
then connect panels 8 and 10 to panel 6.
Press the Cam wheel (A) into panels 8 and 10.
Then rotate to tighten.



Rotate the cabinet by 90° first.



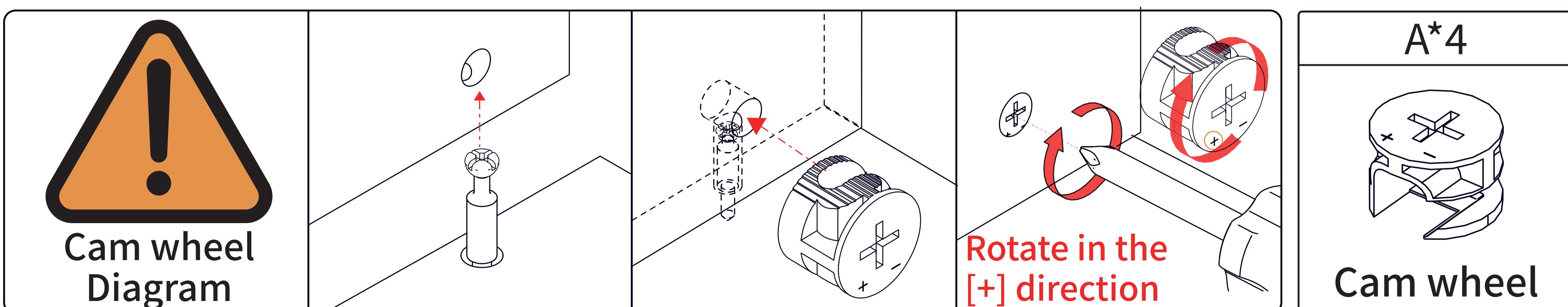
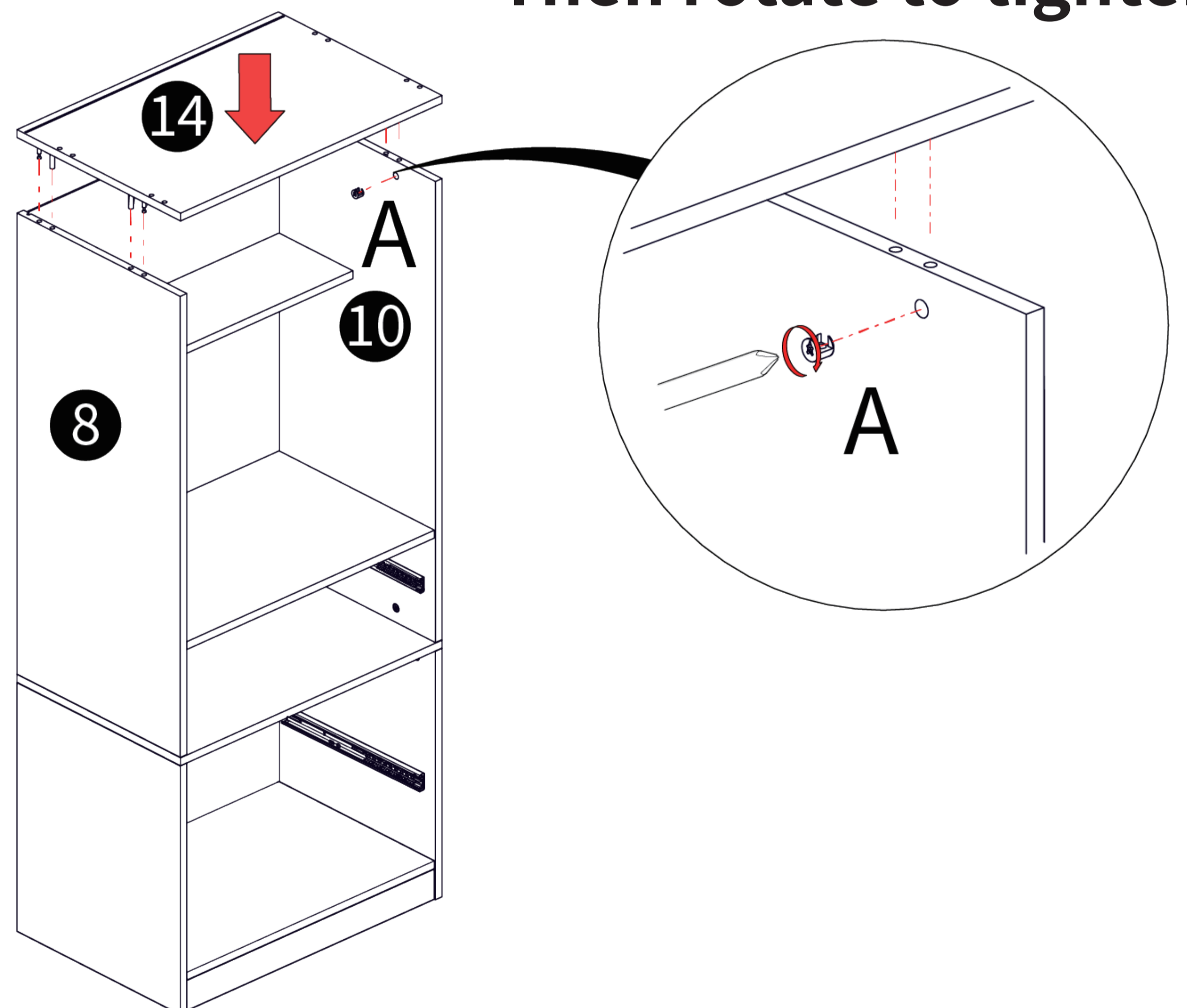
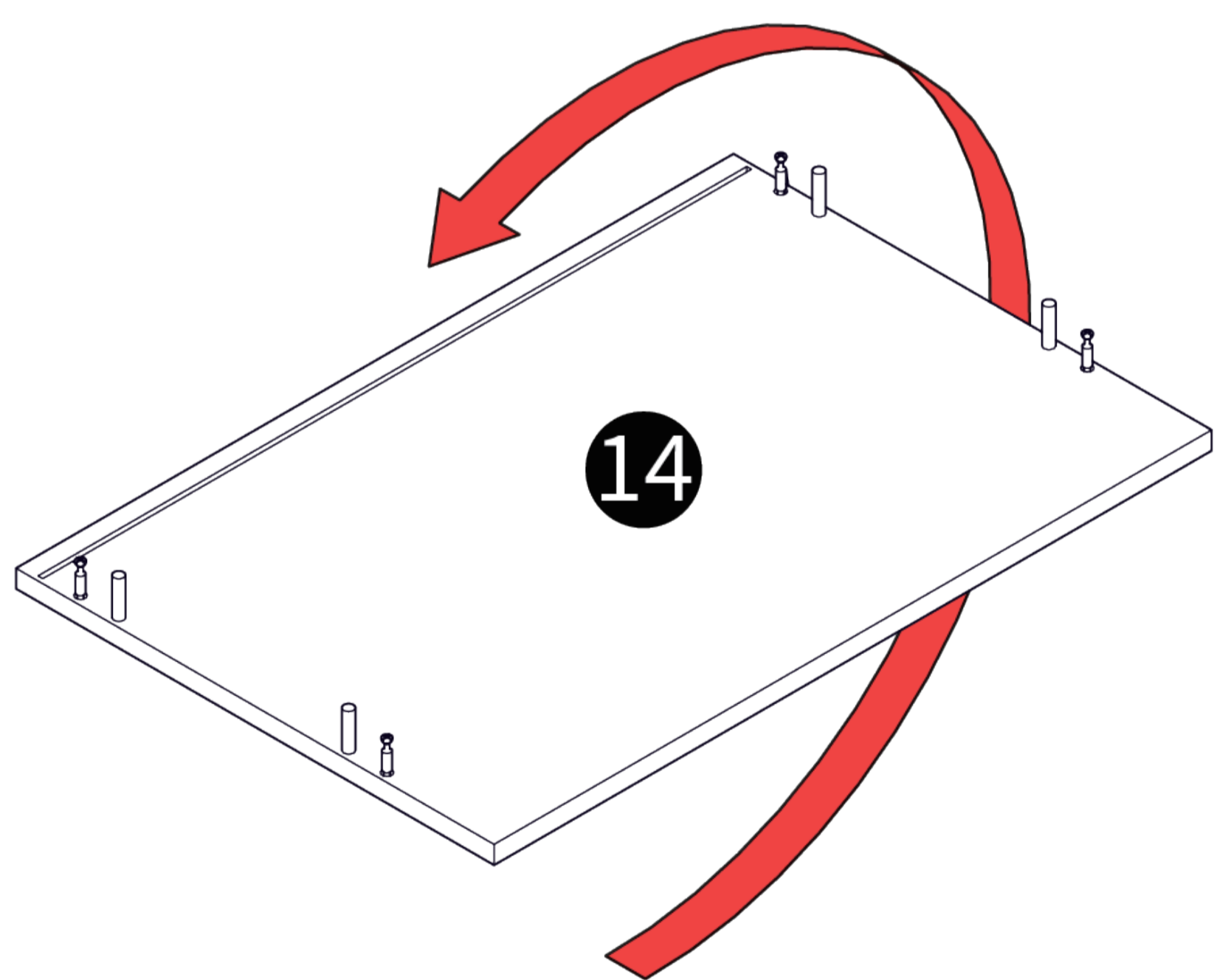
13 As shown in the figure, hammer the black Cam Nut (B.1) into panel 14 first, then use a screwdriver to screw the cam bolt (B.2) into the black Cam Nut.



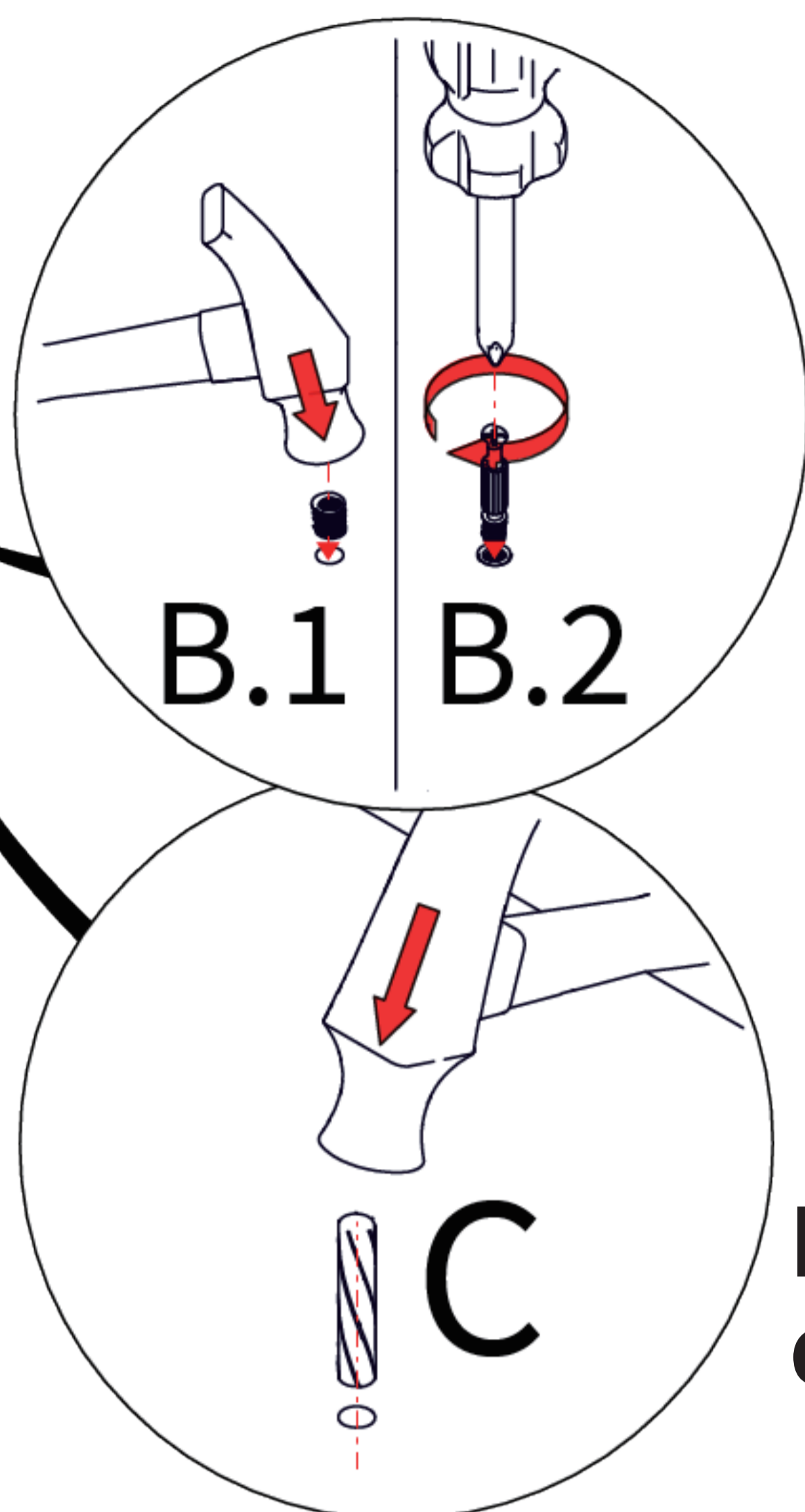
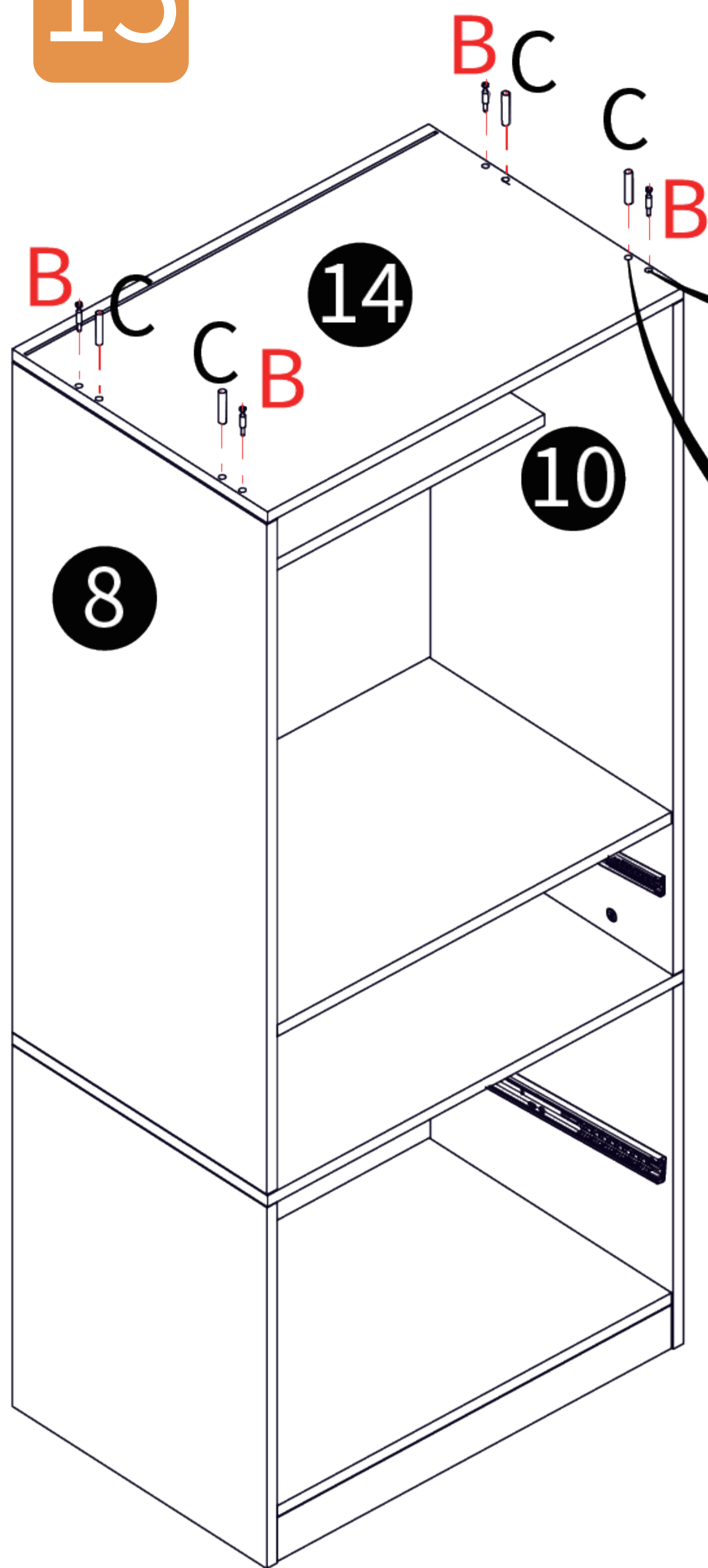
Insert the wooden dowels (C) into panel 14.

14 As shown in the figure, connect panel 14 to panels 8 and 10, and press the Cam wheel (A) into panels 8 and 10. Then rotate to tighten.

Rotate panel 14 by 180° first.

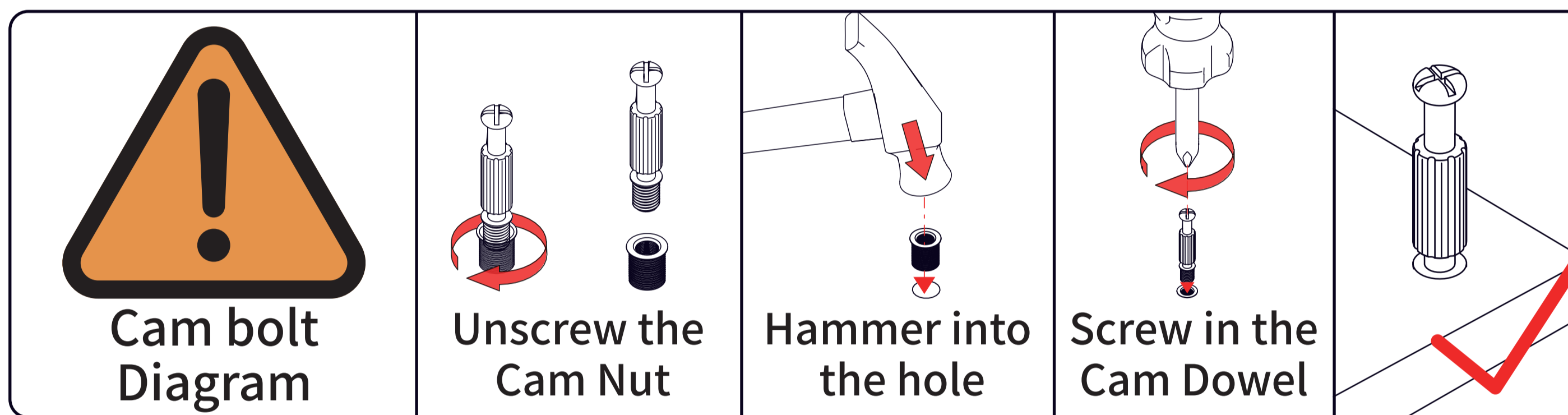
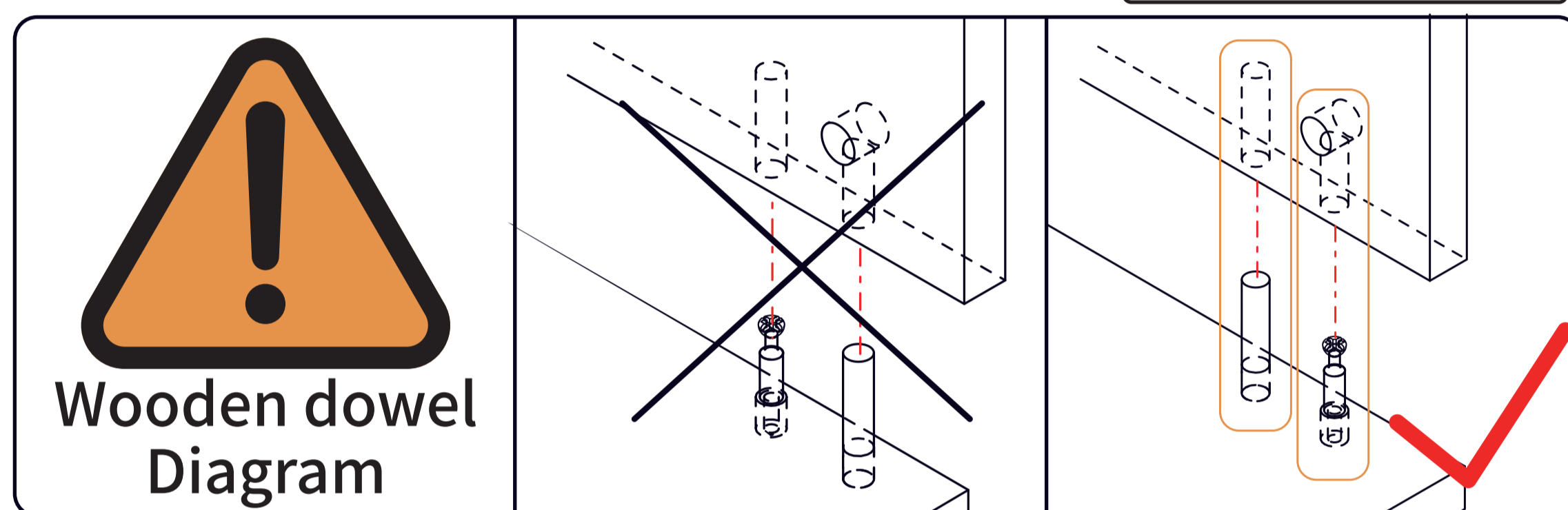
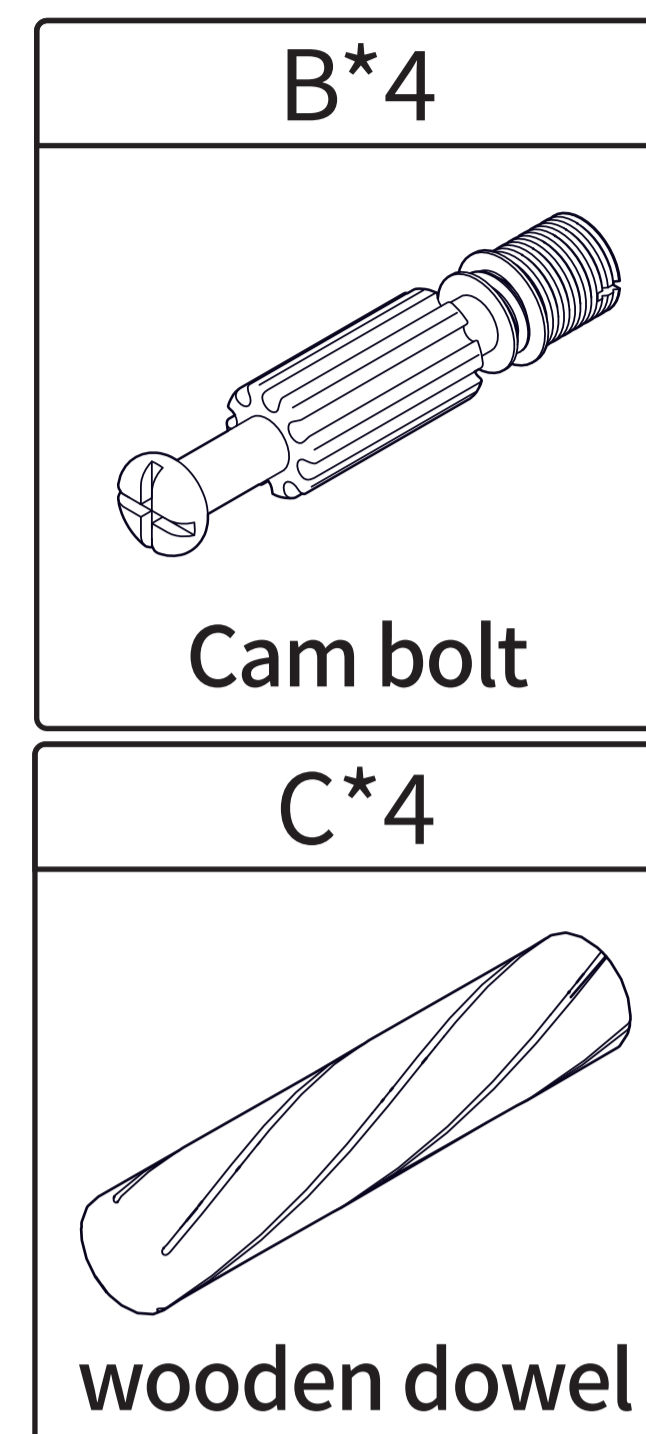


15



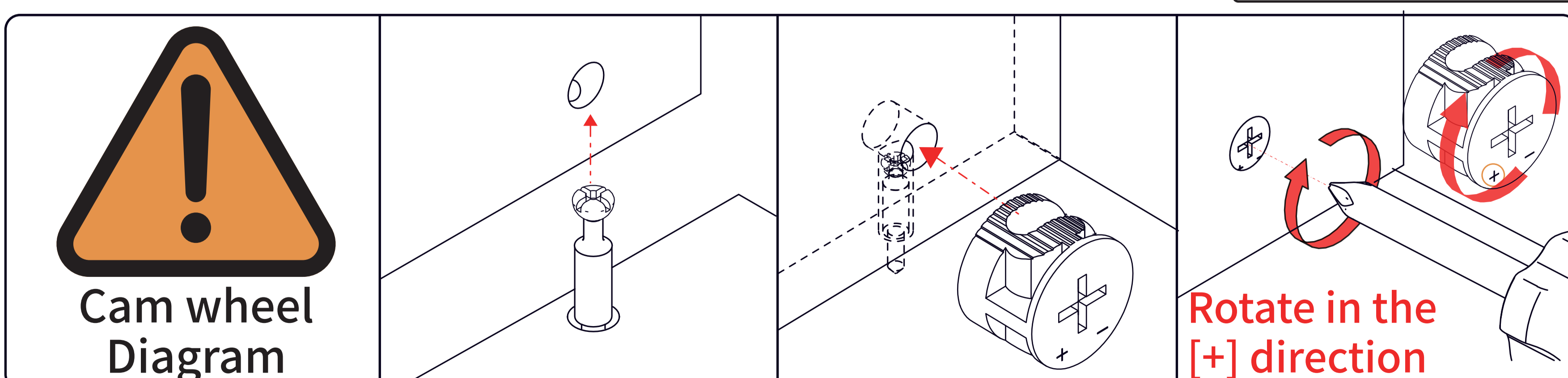
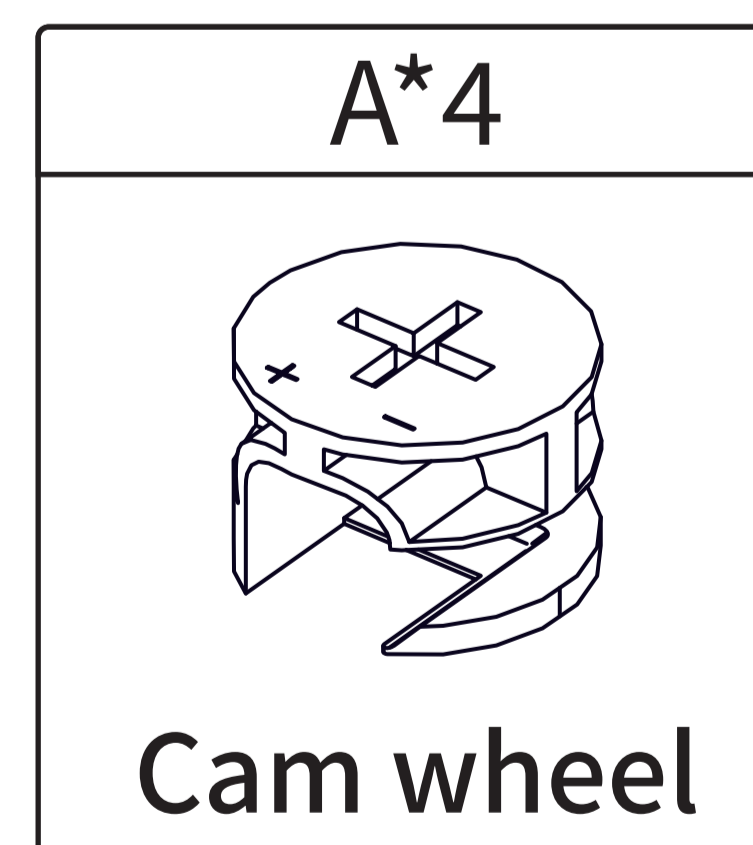
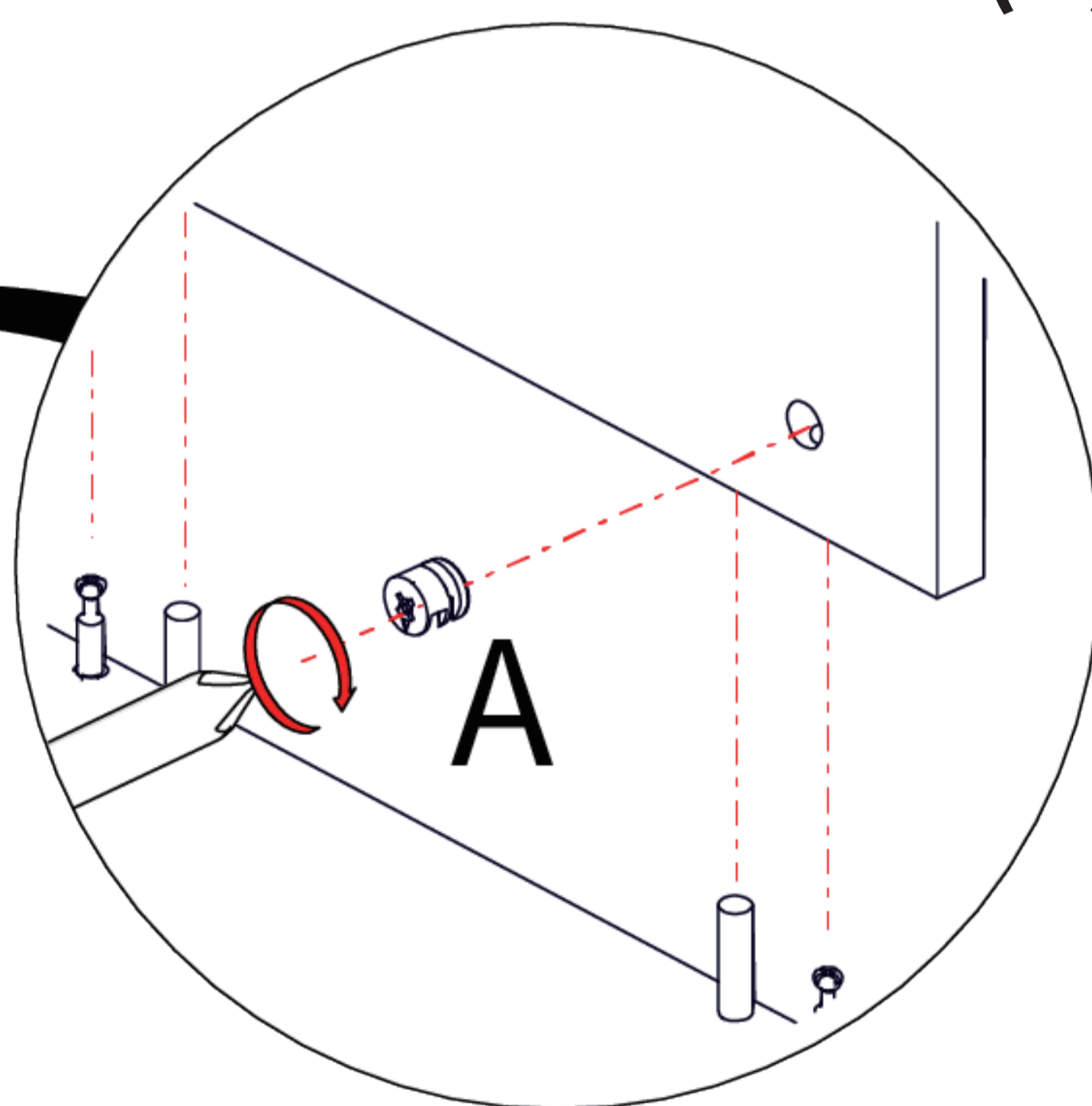
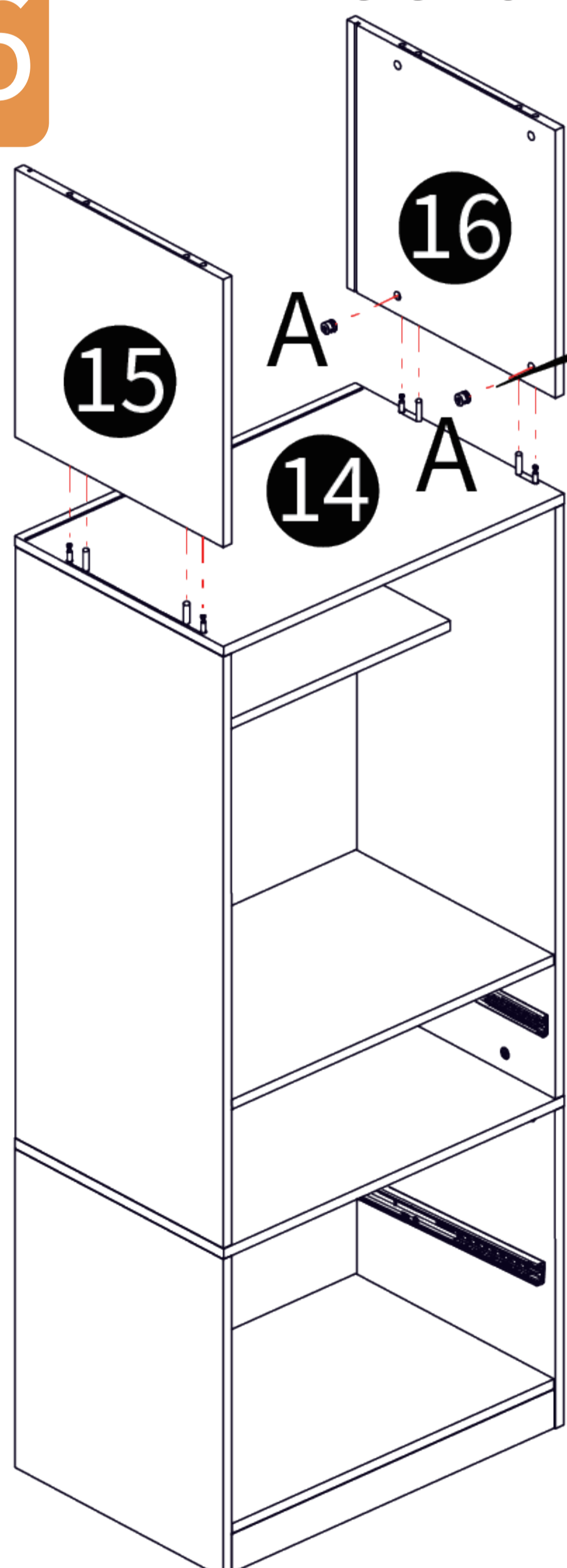
As shown in the figure, hammer the black Cam Nut (B.1) into panel 14 again, then screw the cam bolt (B.2) into the black Cam Nut.

Insert the wooden dowels (C) into panel 14.

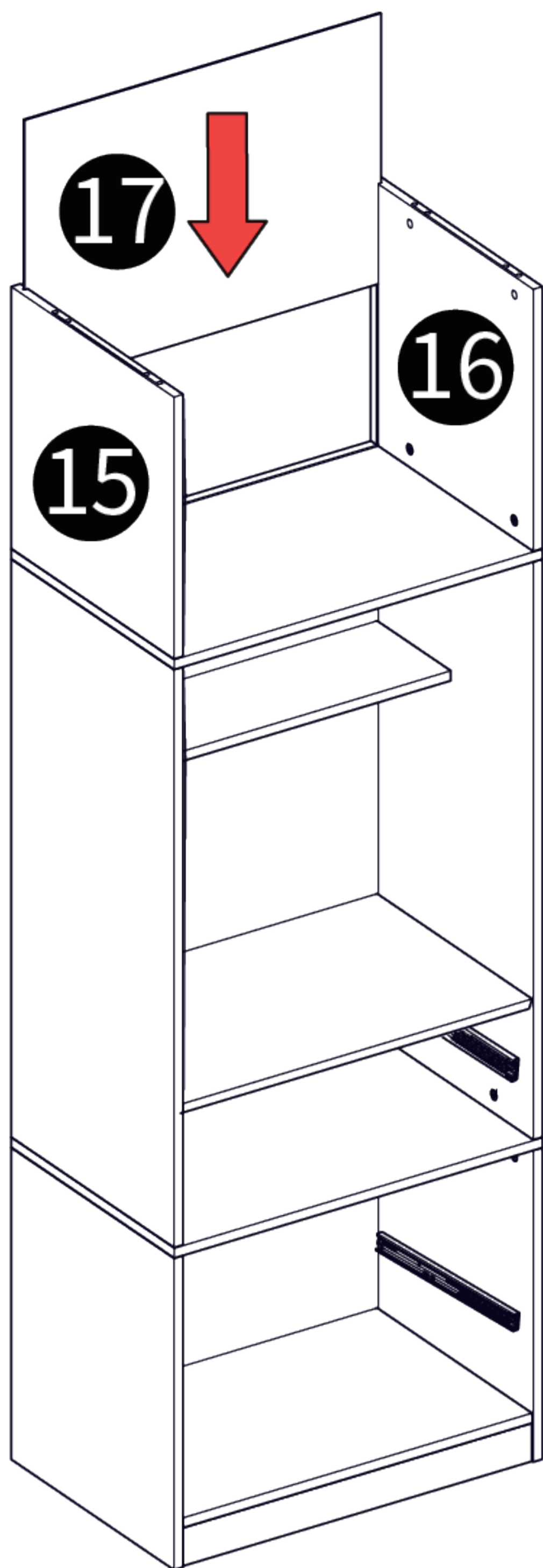


16

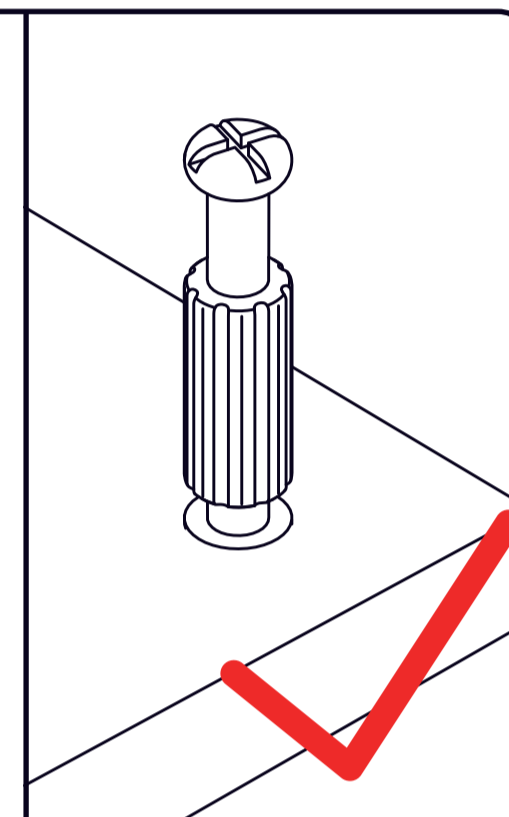
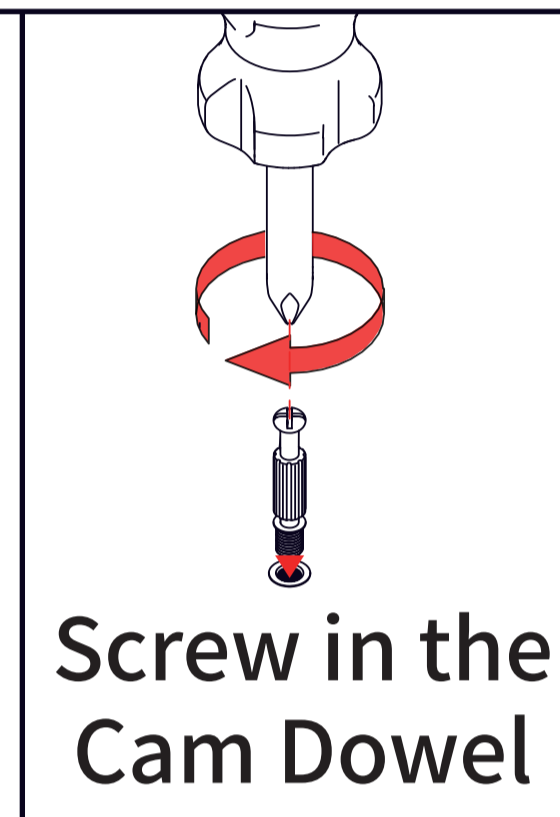
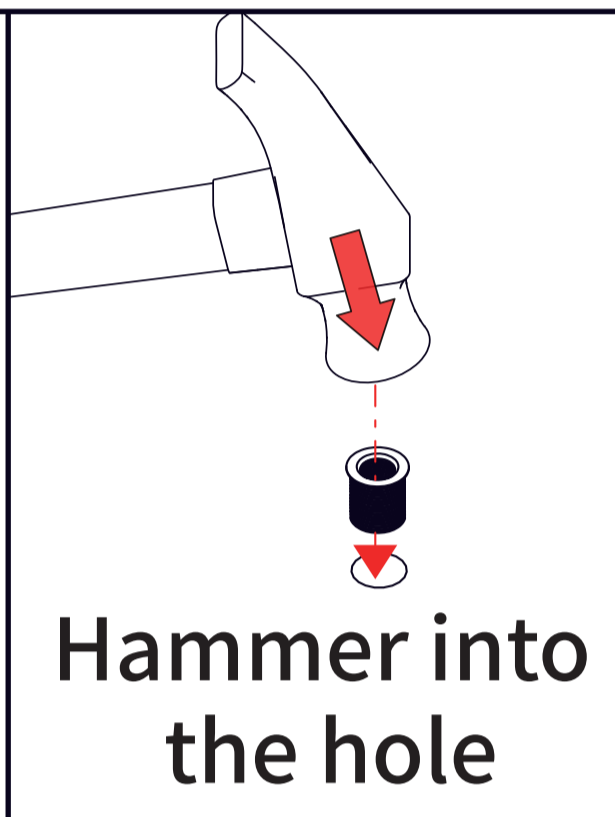
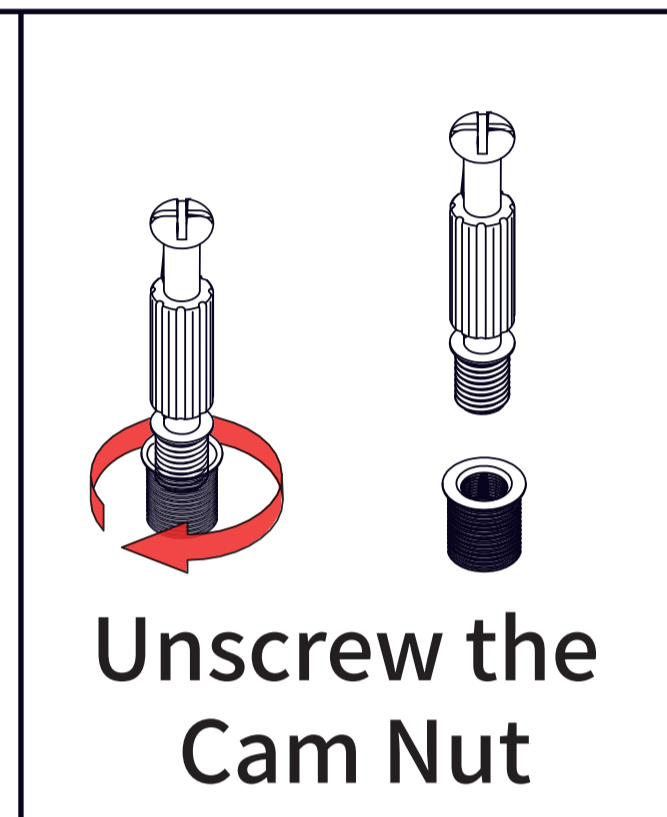
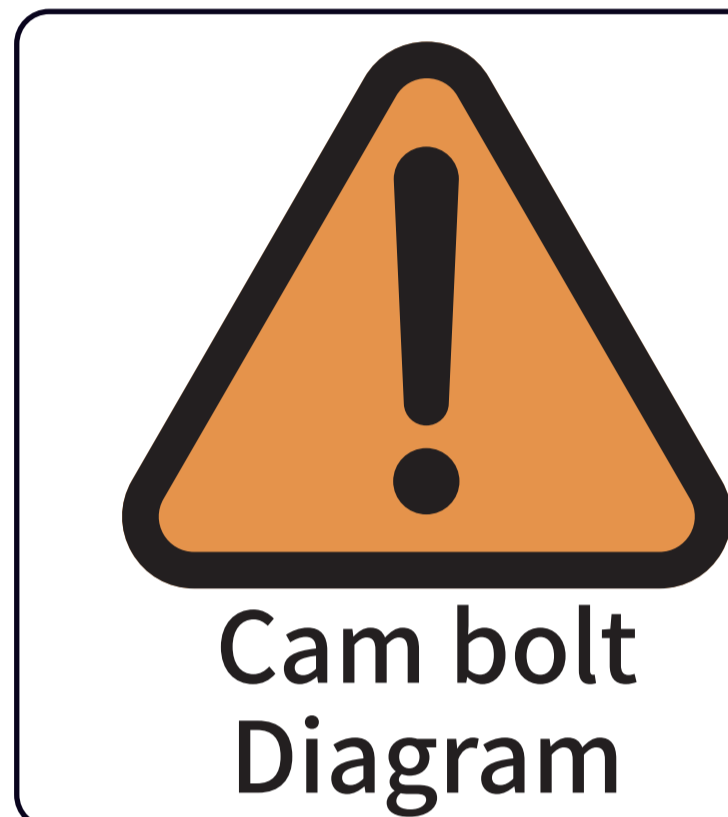
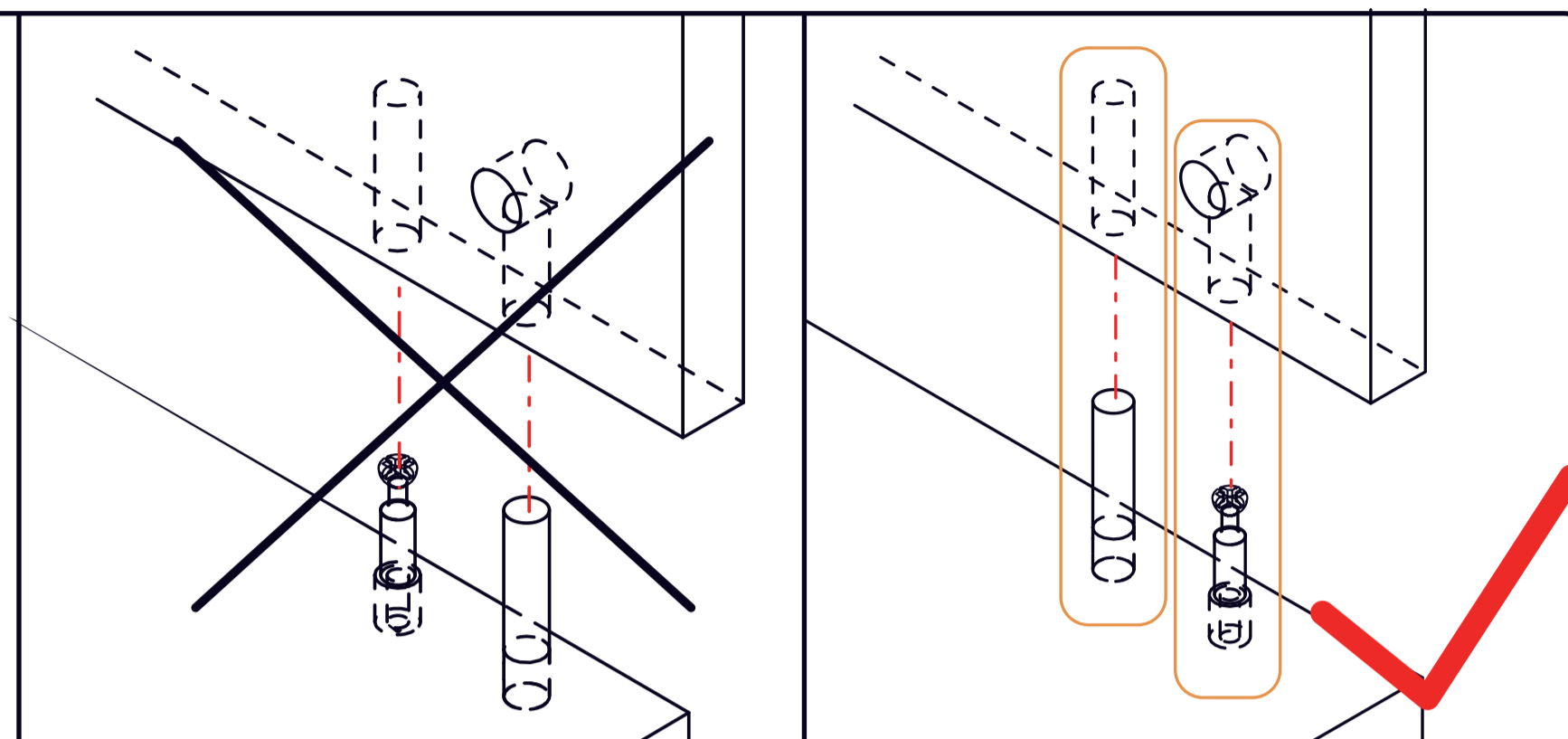
As shown in the figure, connect panels 15 and 16 to panel 14, and press the Cam wheel (A) into panels 15 and 16. Then rotate to tighten.



17

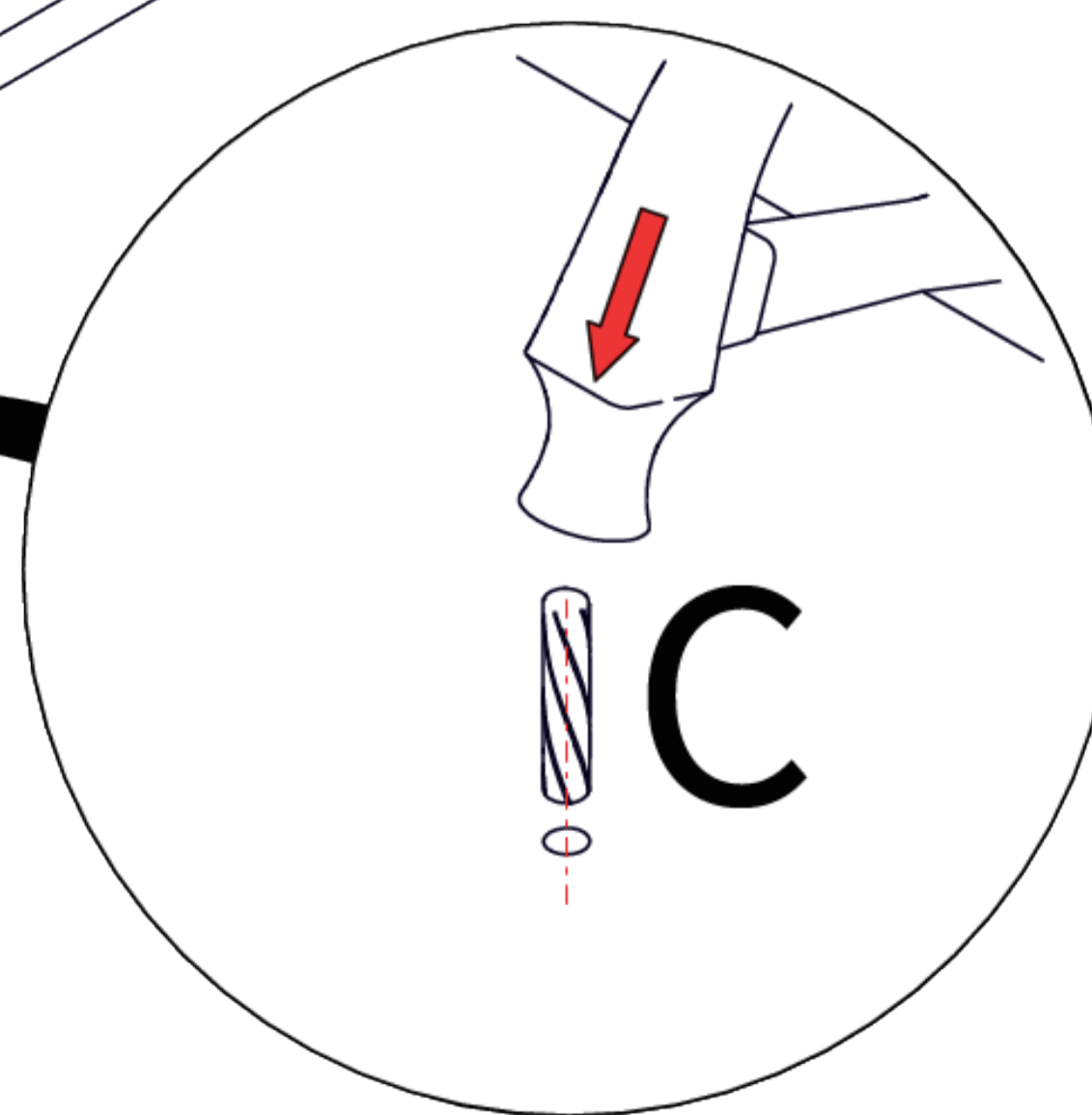
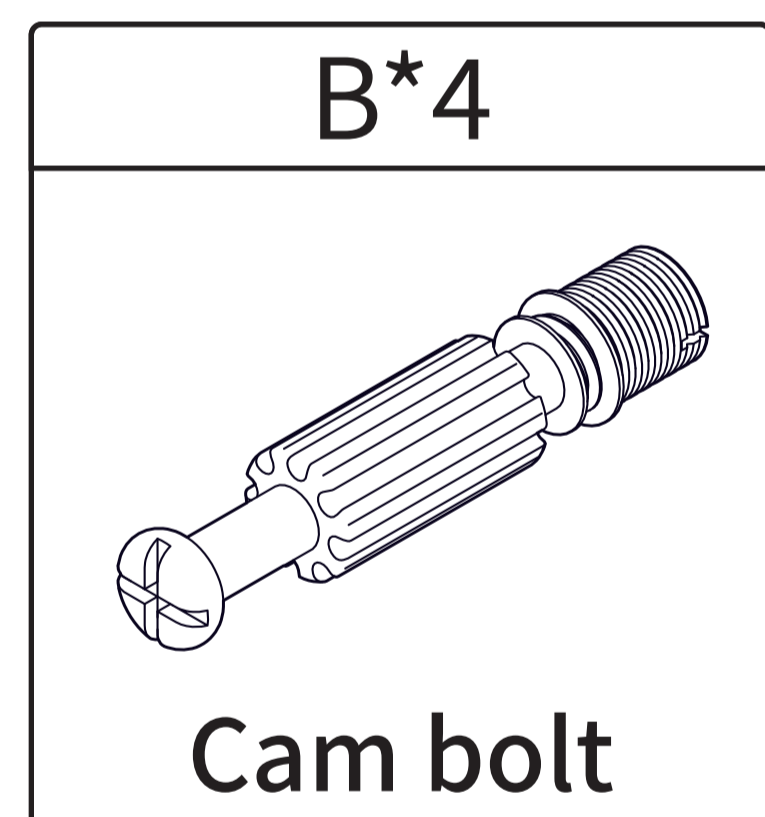
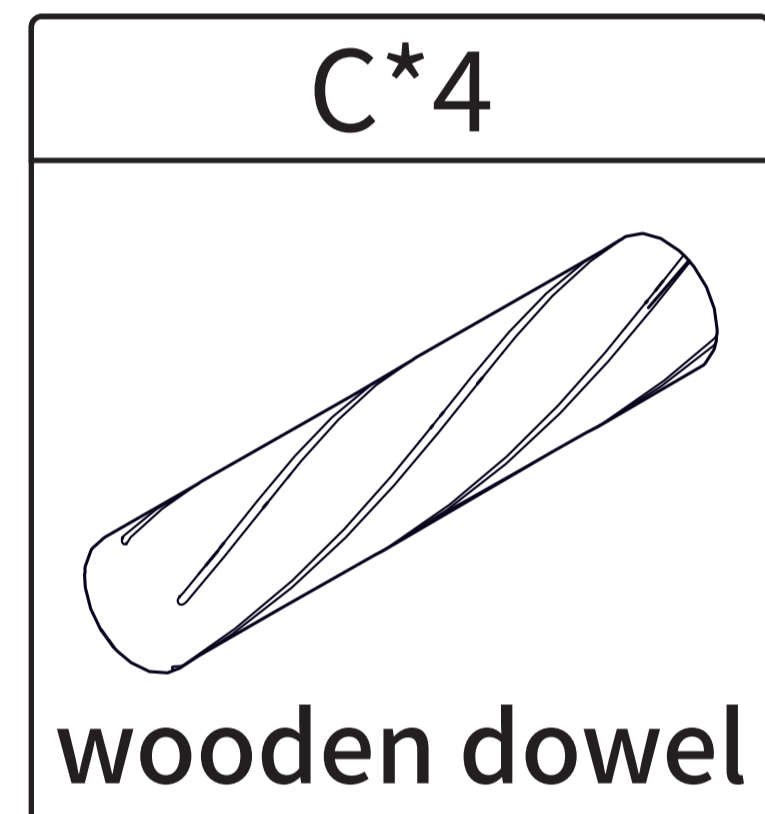
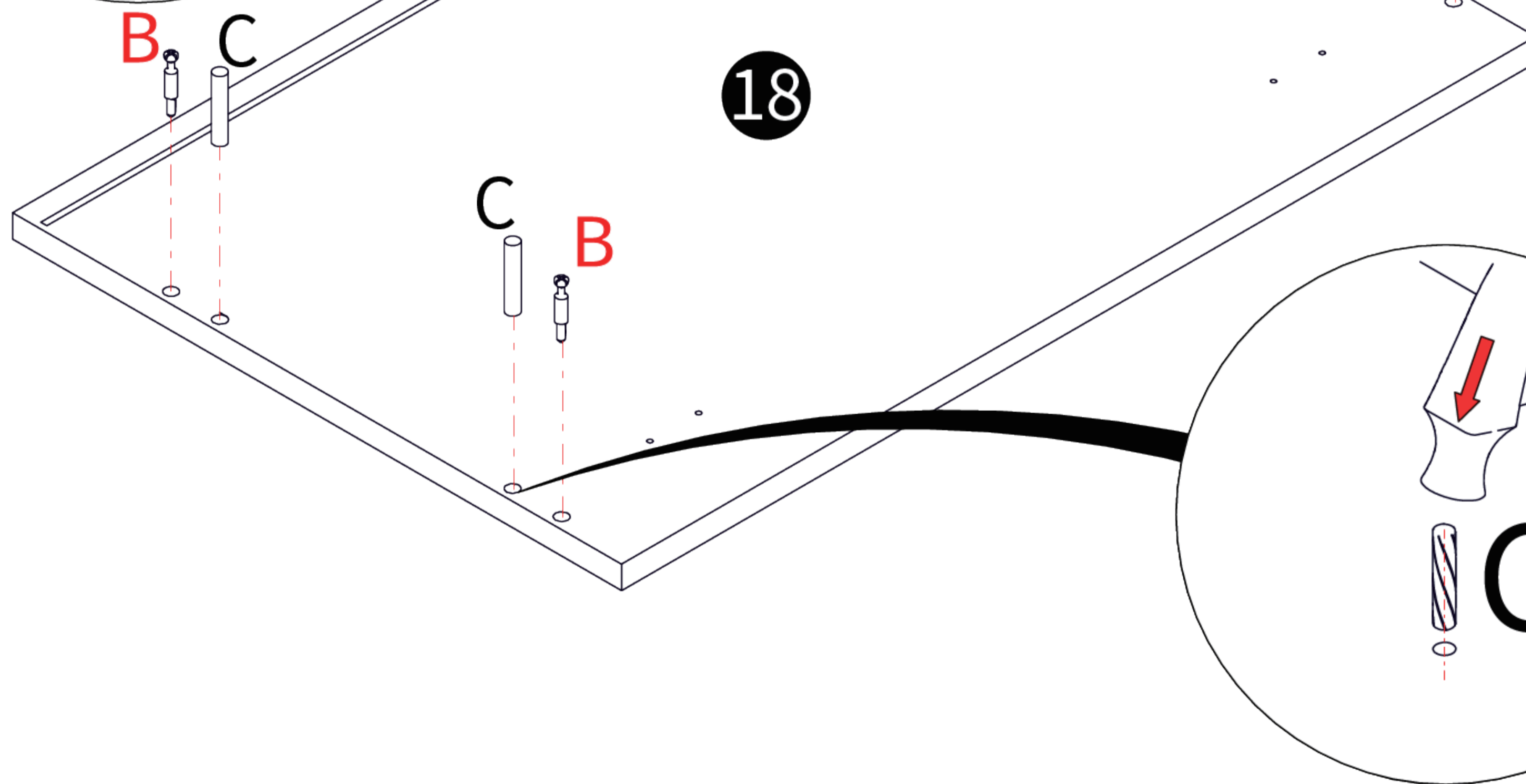
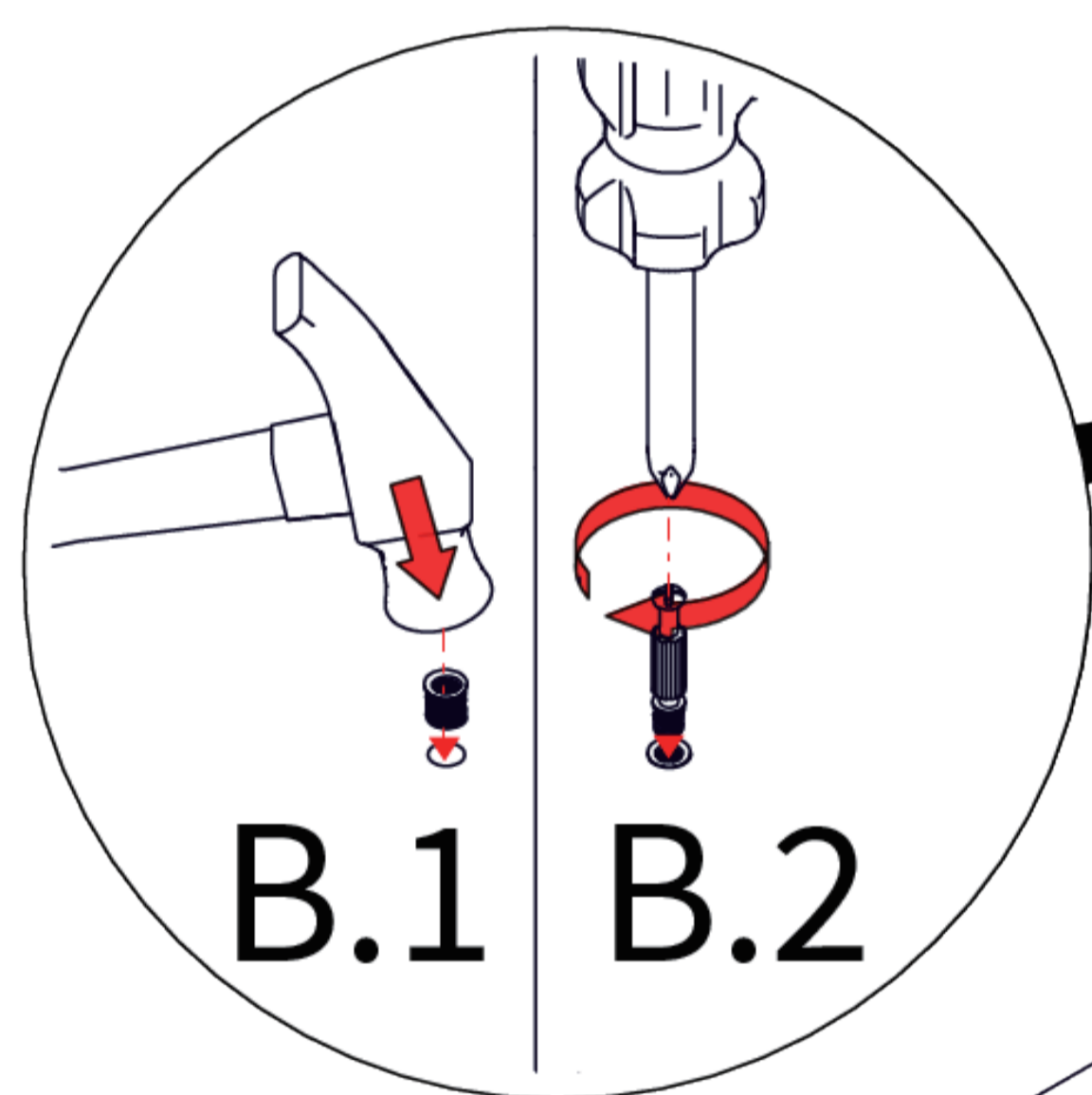


As shown in the figure, slide back panel 17 along the groove.



18

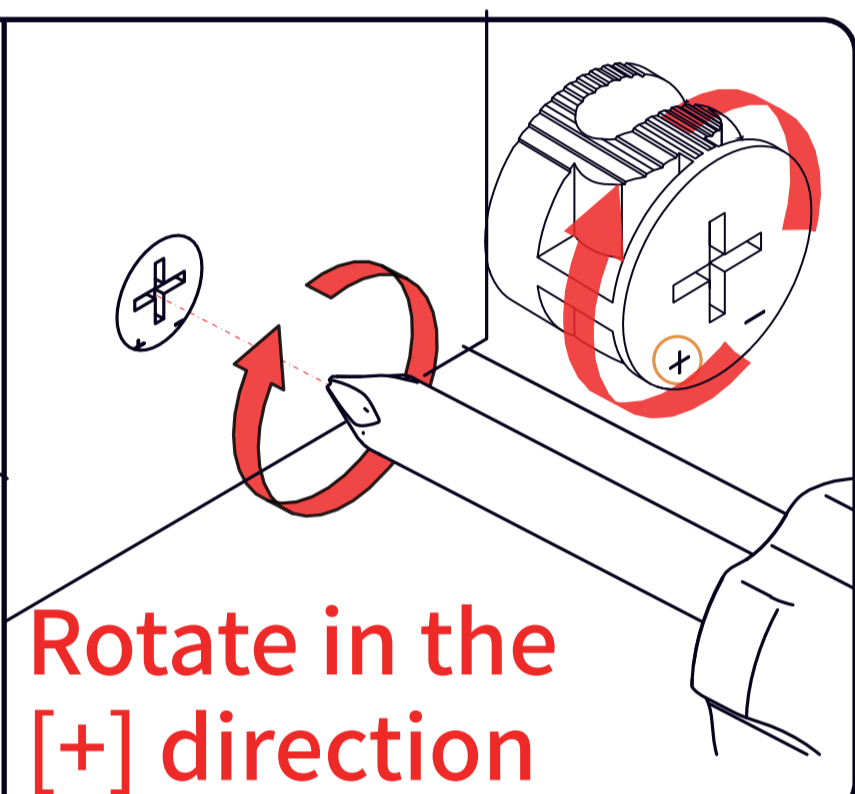
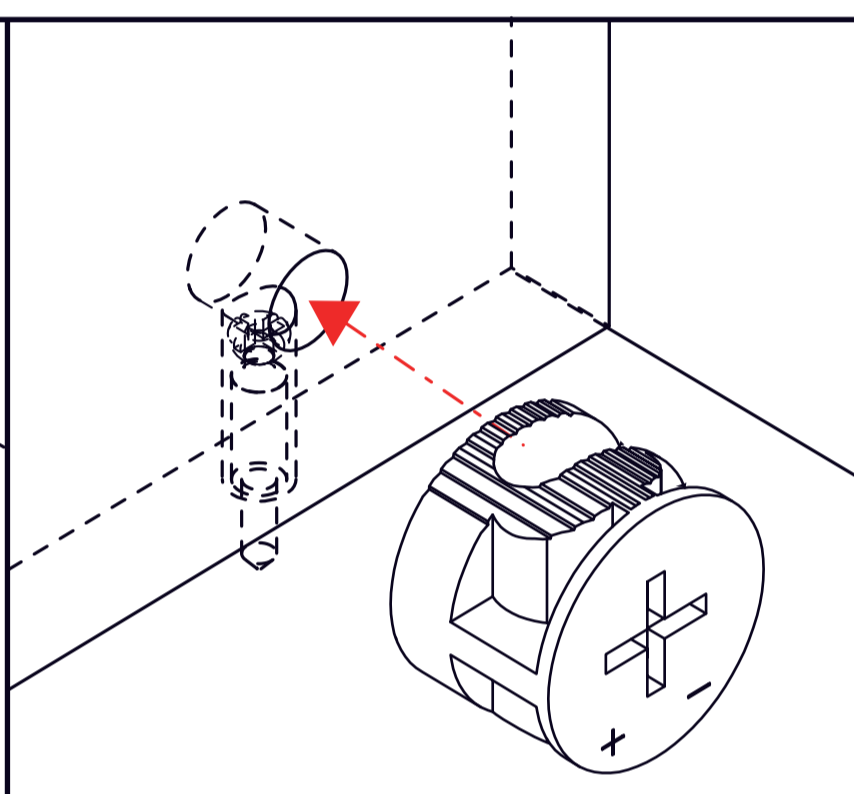
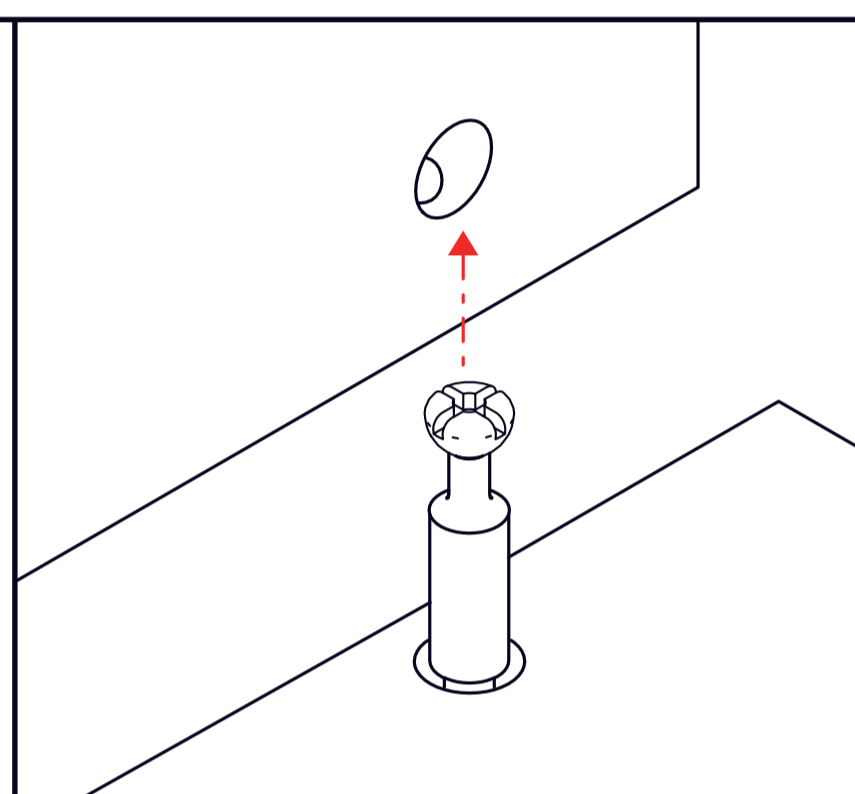
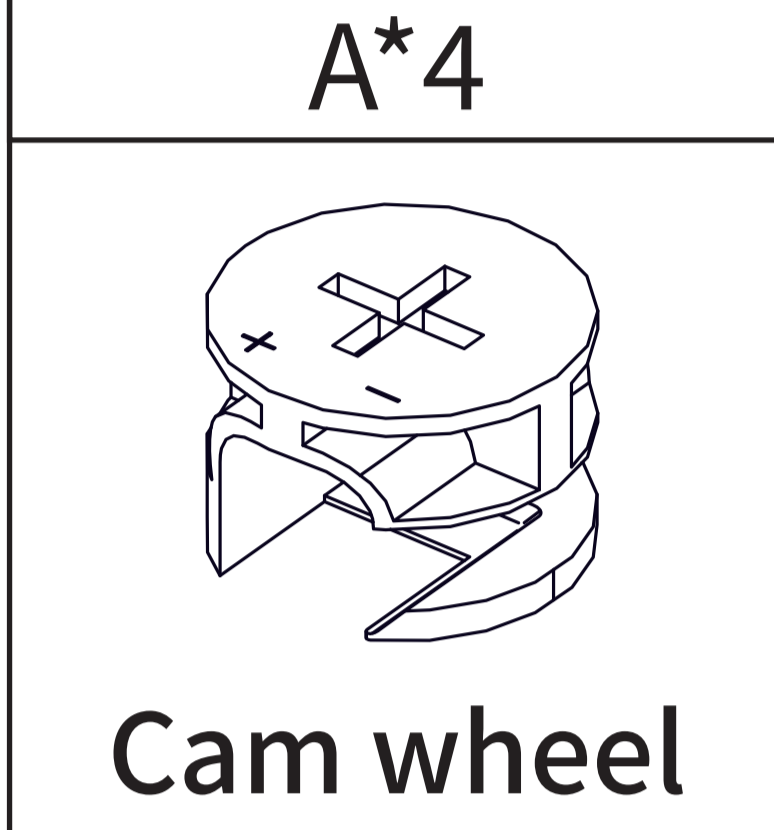
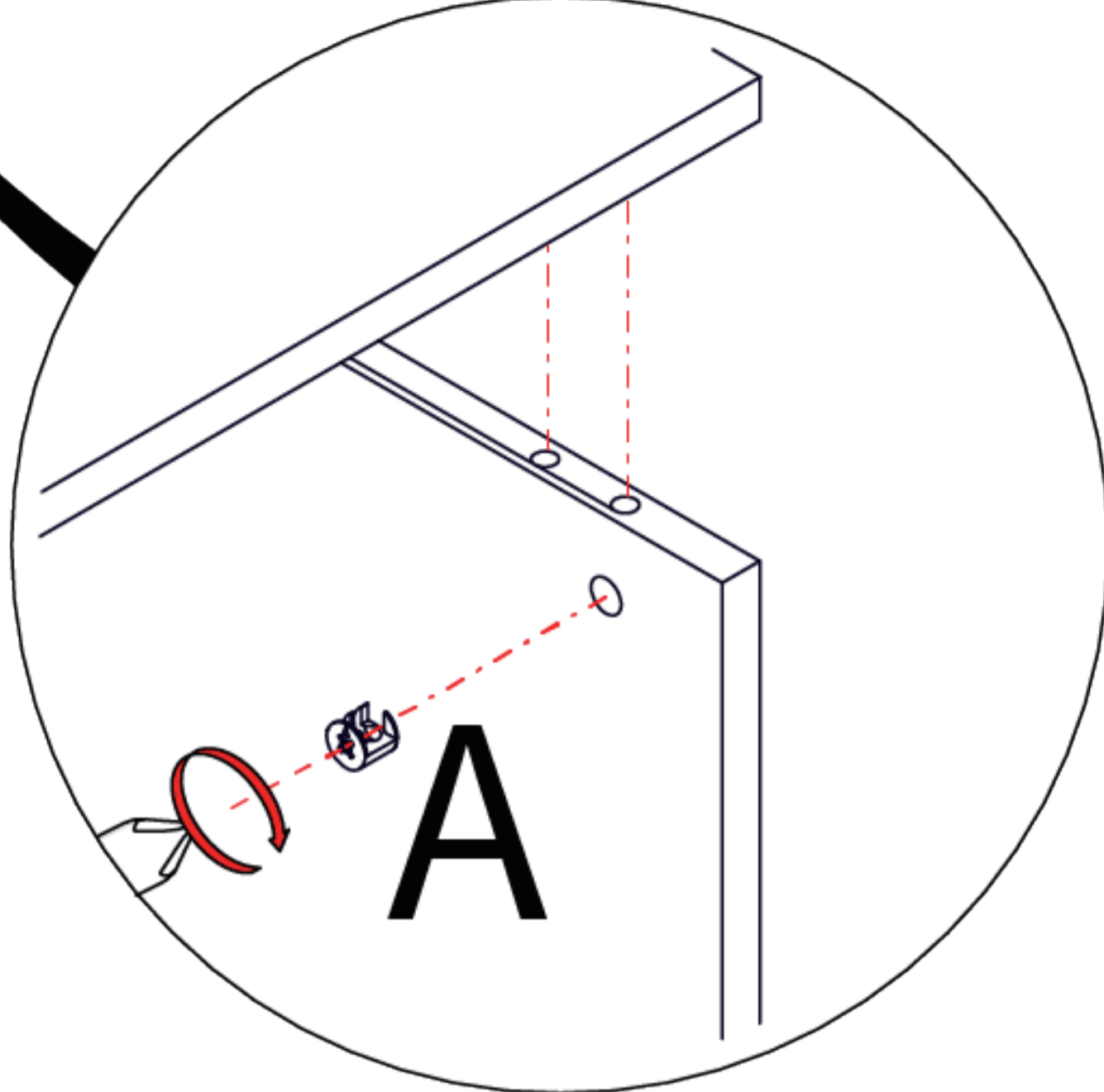
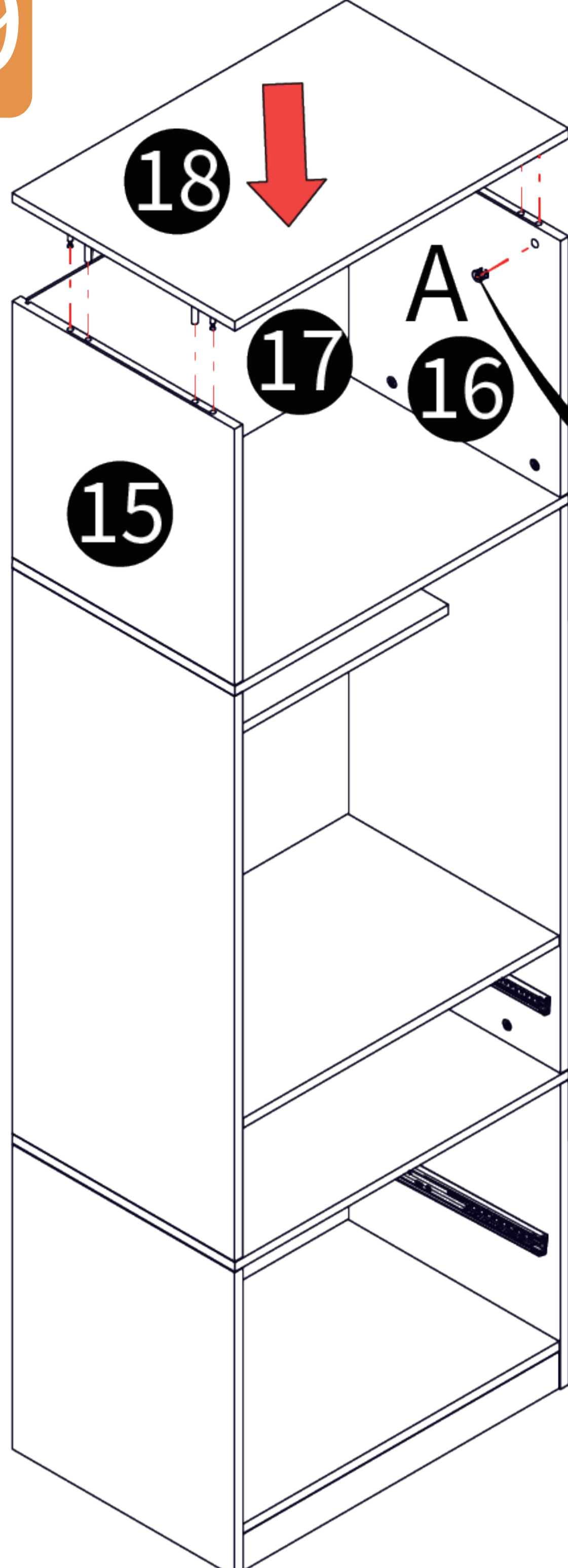
As shown in the figure, hammer the black Cam Nut (B.1) into panel 18 first, then screw the cam bolt (B.2) into the black Cam Nut.



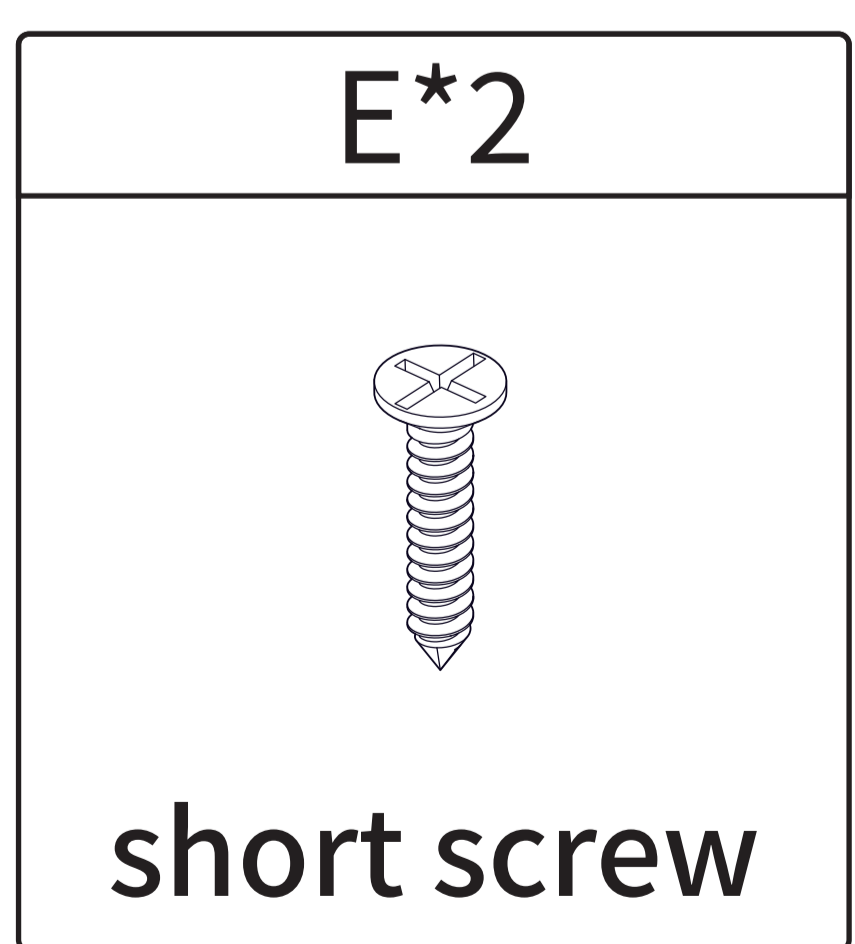
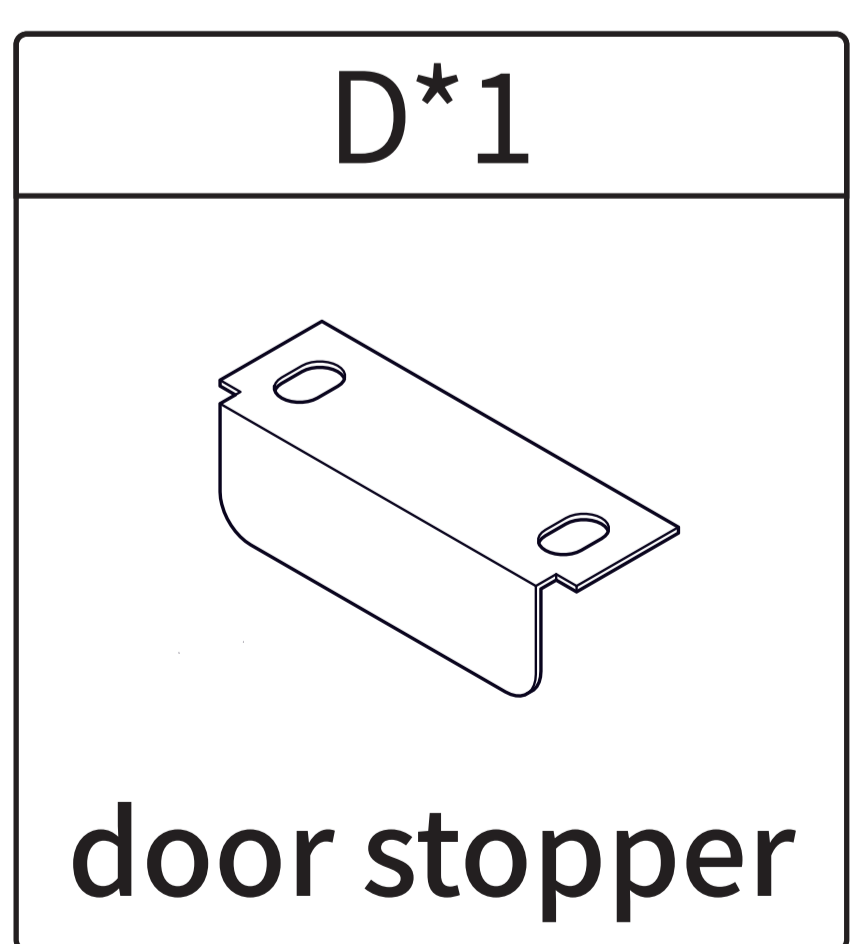
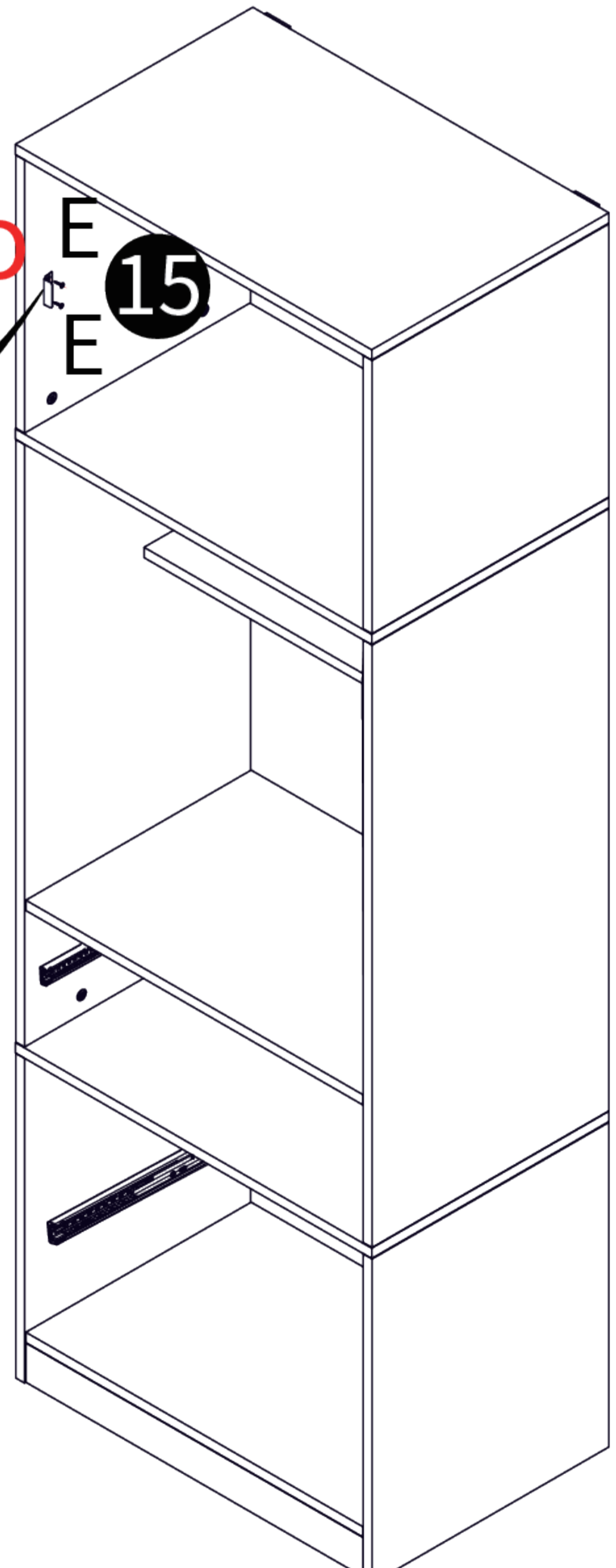
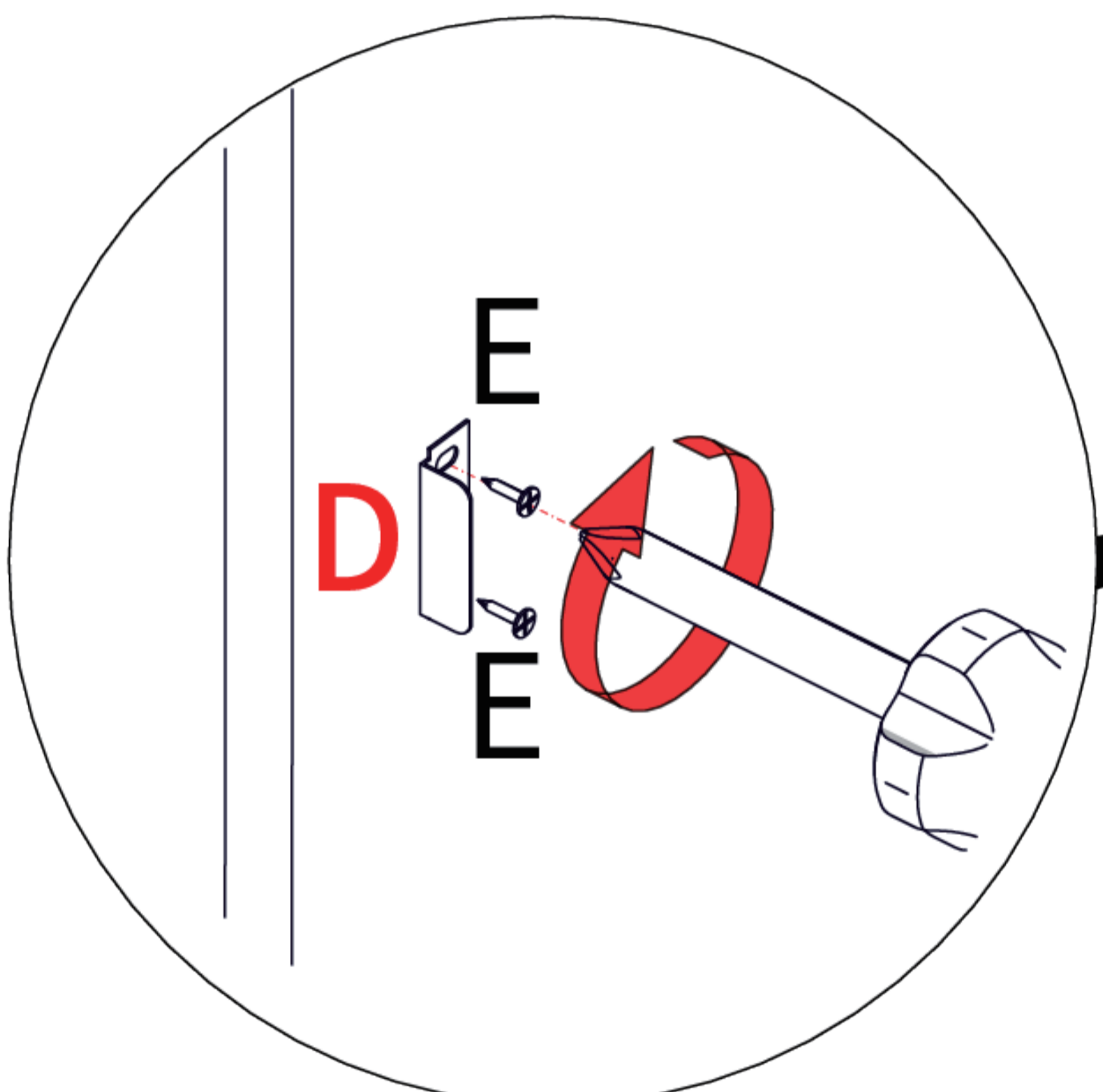
Insert the wooden dowels (C) into panel 18.

19

As shown in the figure, connect panel 18 to panels 15, 16, and 17, and press the Cam wheel (A) into panels 15 and 16. Then rotate to tighten.



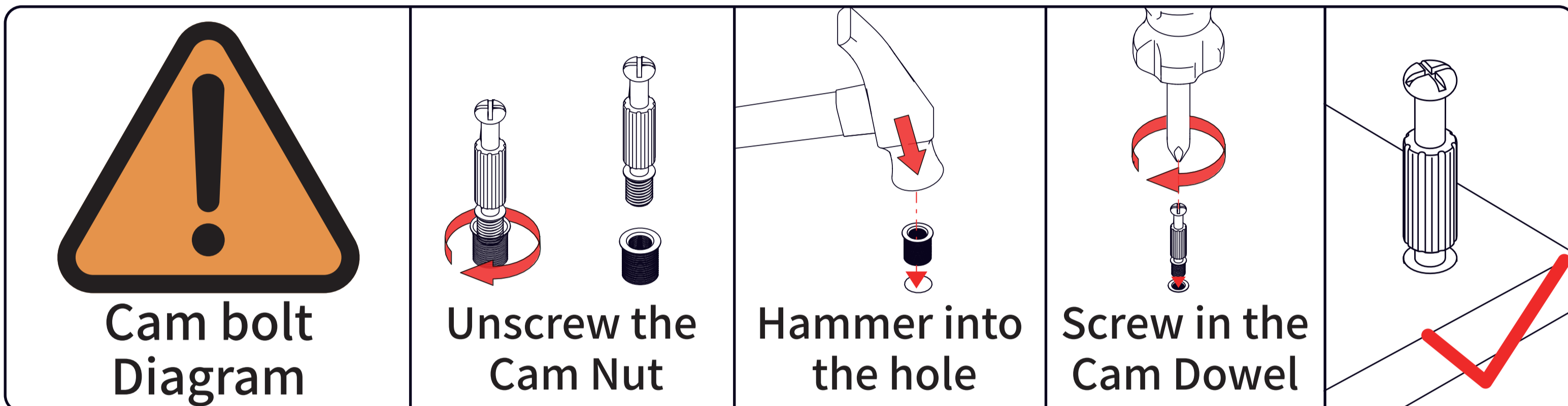
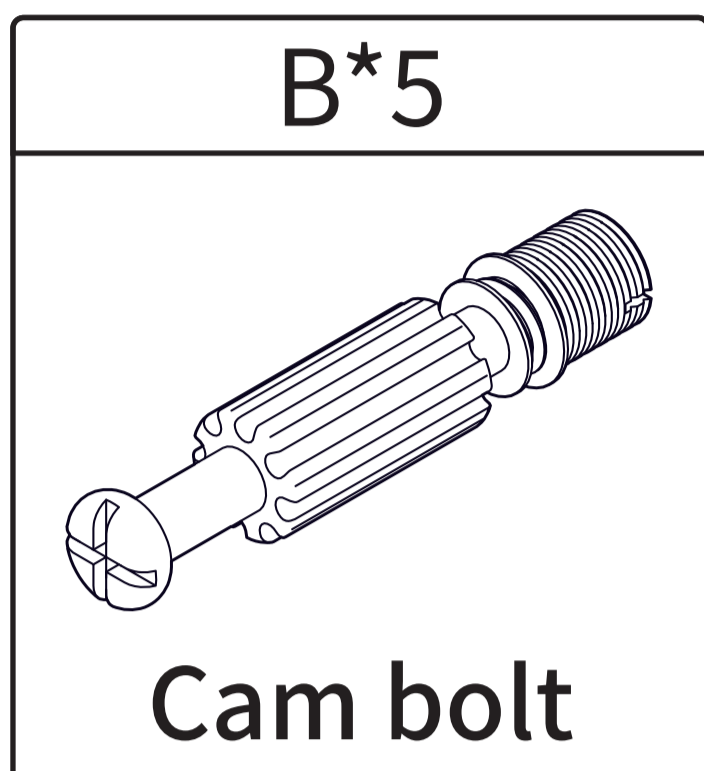
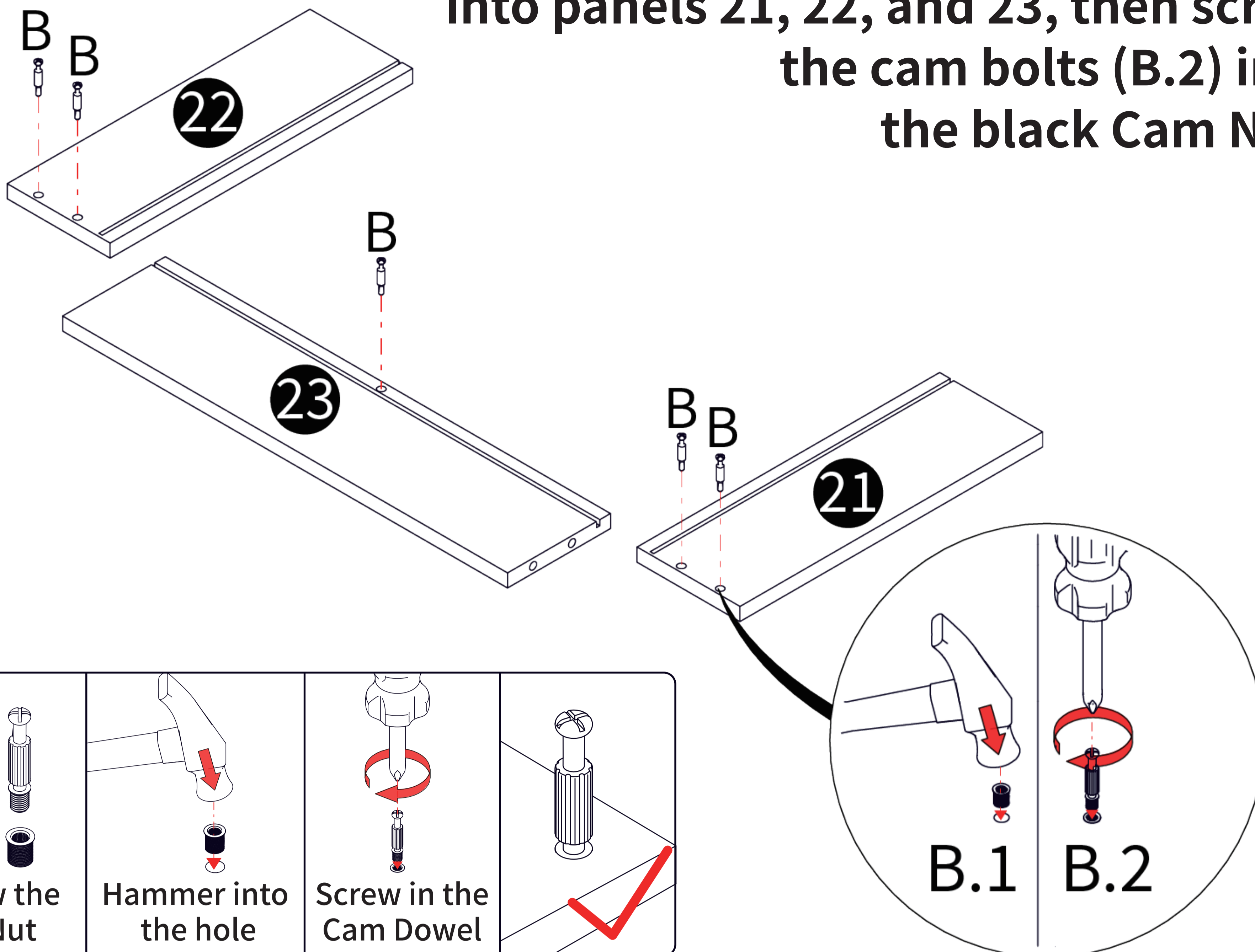
20



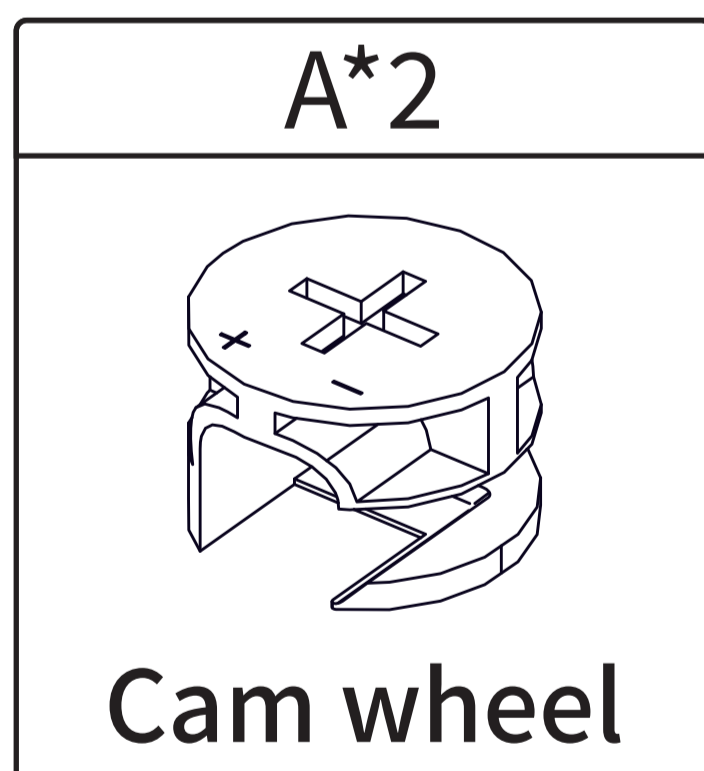
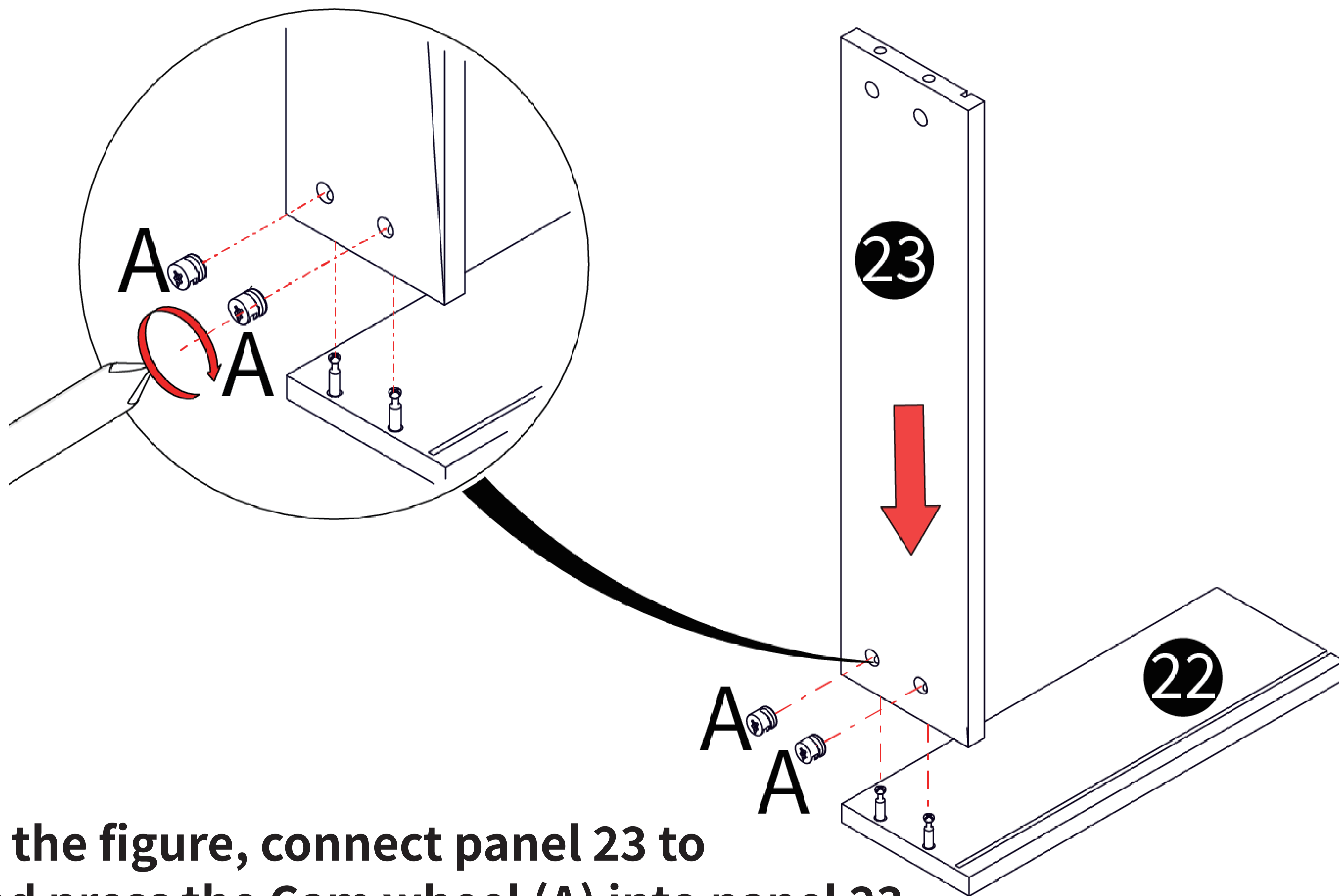
As shown in the figure, fasten the door stopper (D) onto the panel using short screws (E).

21

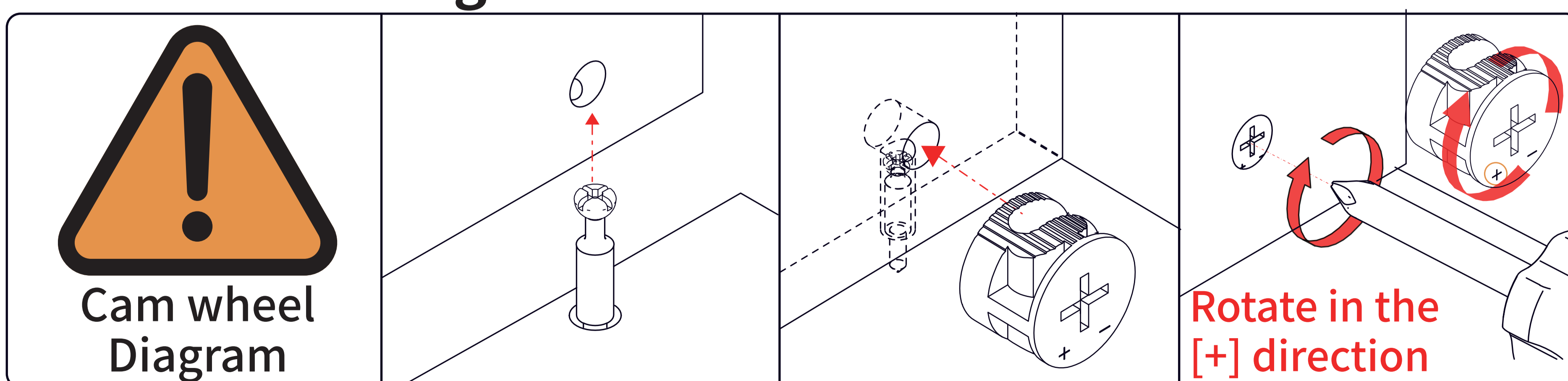
As shown in the figure, hammer the black Cam Nut (B.1) into panels 21, 22, and 23, then screw the cam bolts (B.2) into the black Cam Nut.



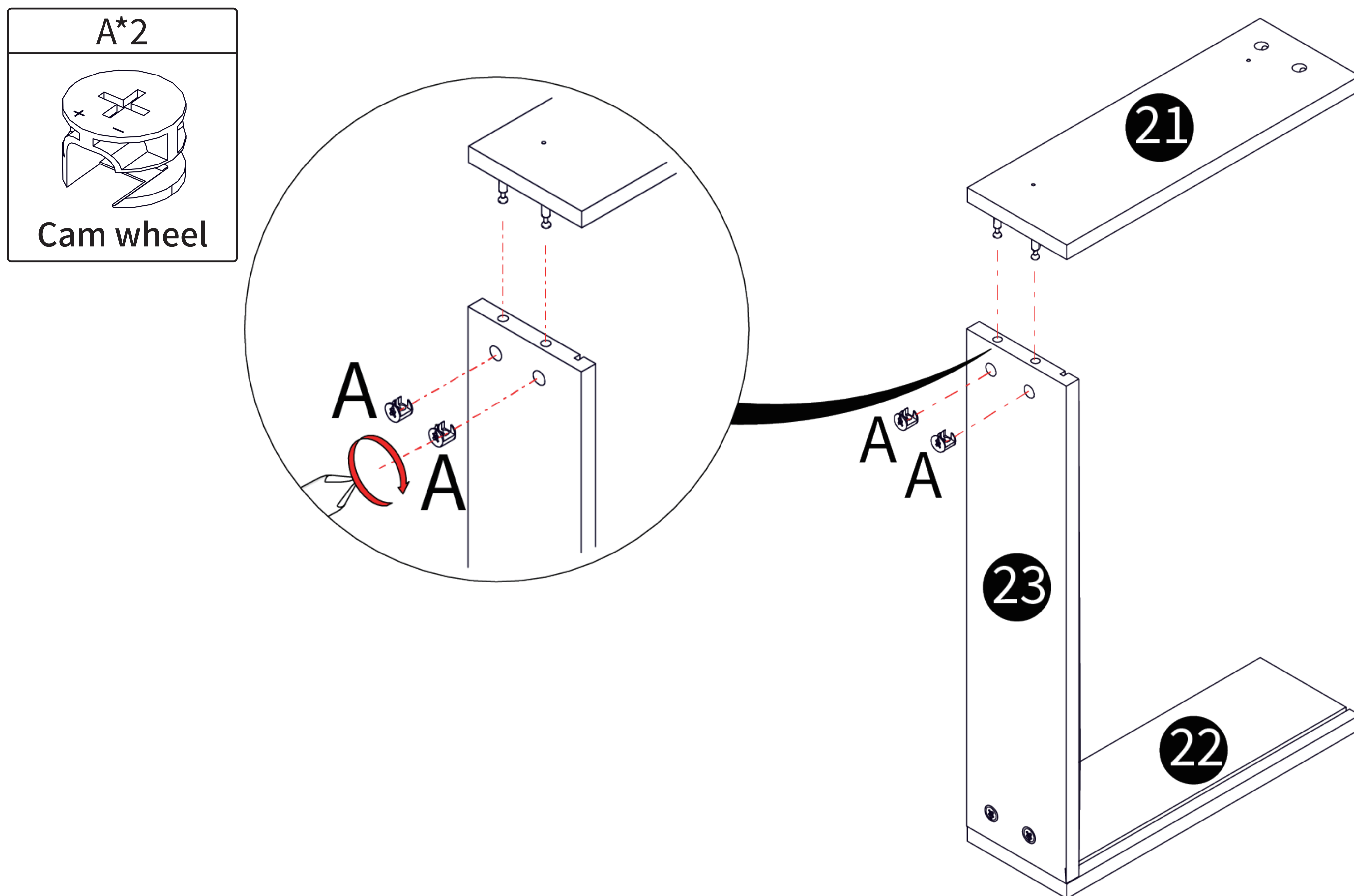
22



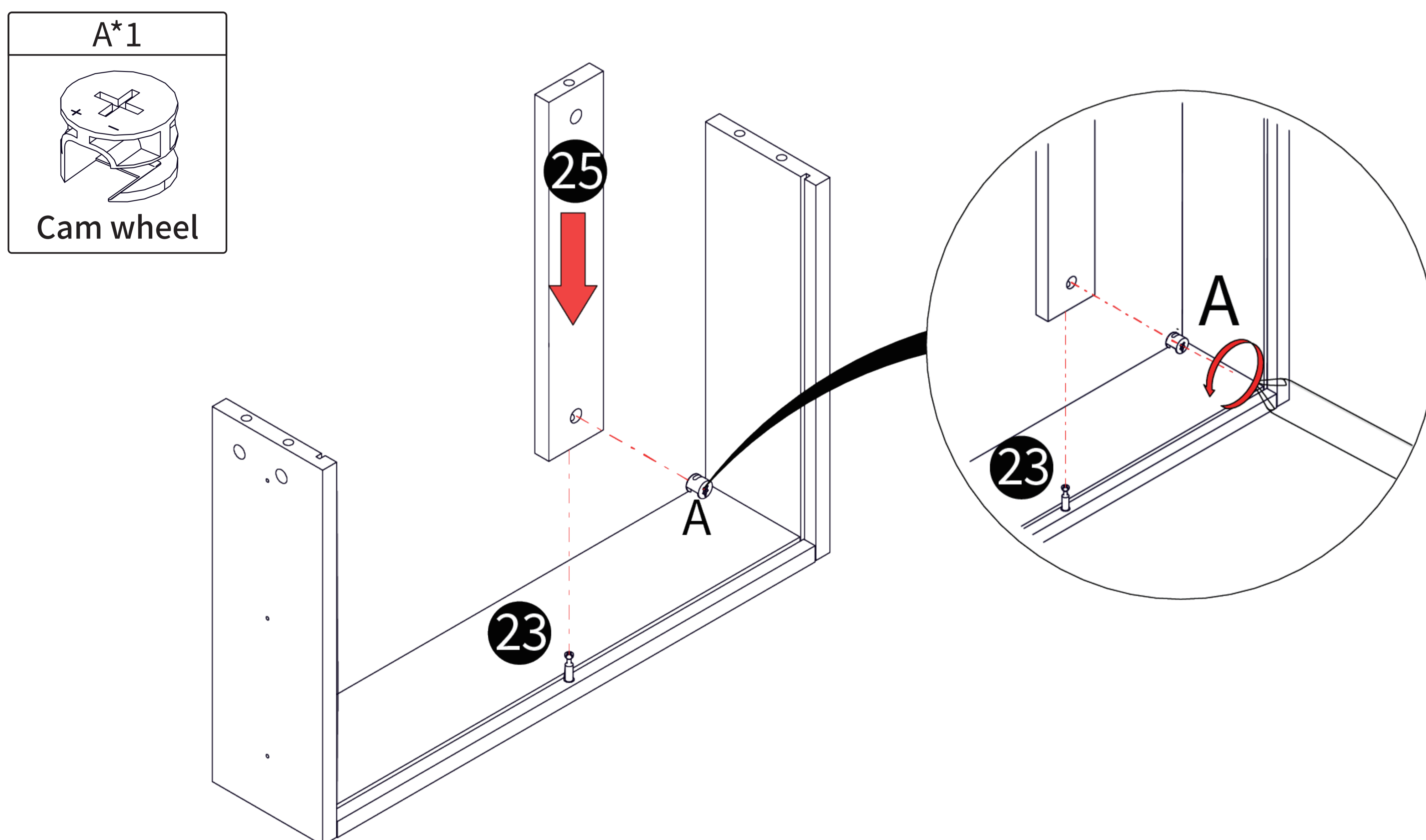
As shown in the figure, connect panel 23 to panel 22, and press the Cam wheel (A) into panel 23. Then rotate to tighten.



23 As shown in the figure, connect panel 21 to panel 23, and press the Cam wheel (A) into panel 23. Then rotate to tighten.

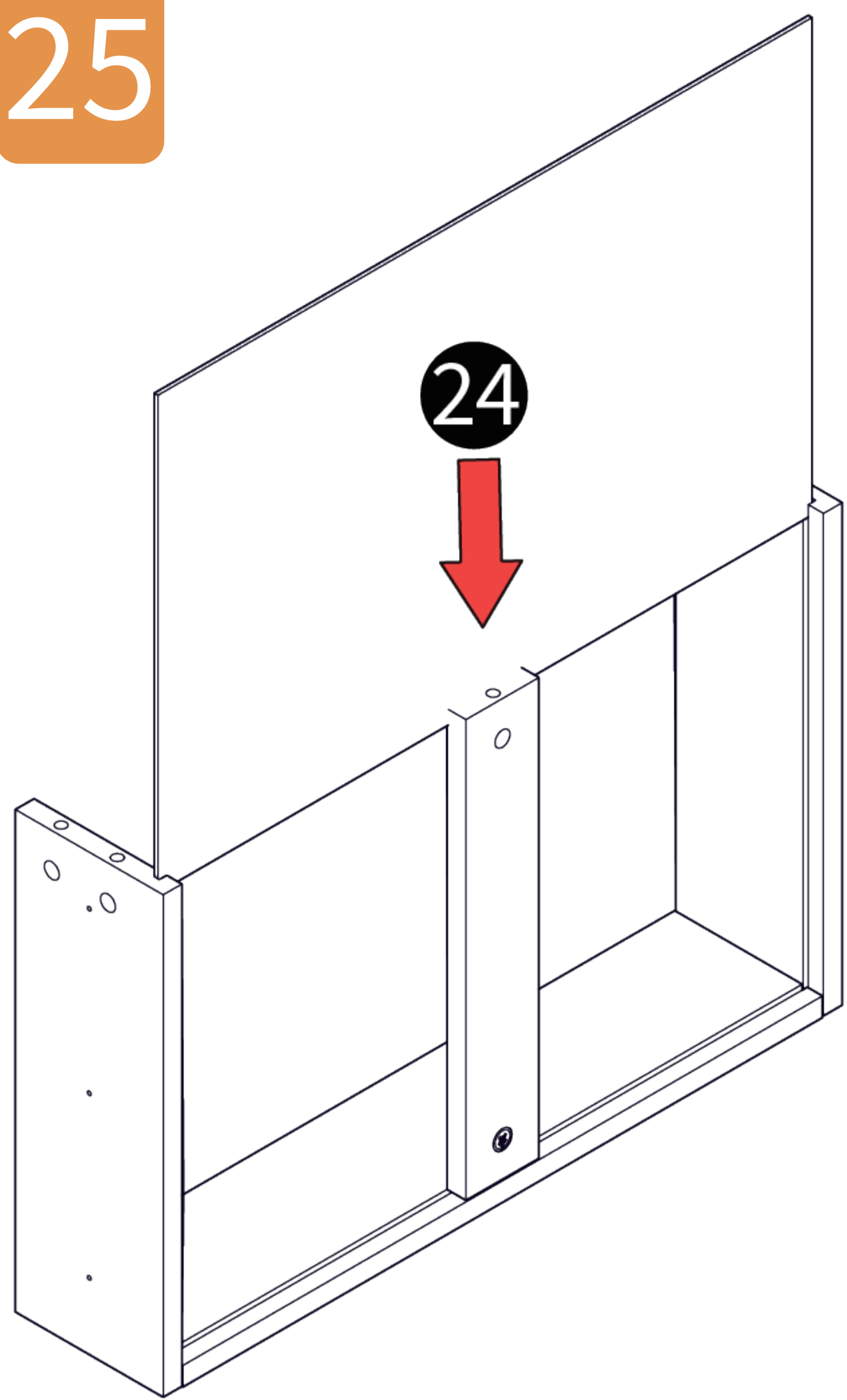


24 As shown in the figure, connect panel 25 to panel 23, and press the Cam wheel (A) into panel 25. Then rotate to tighten.



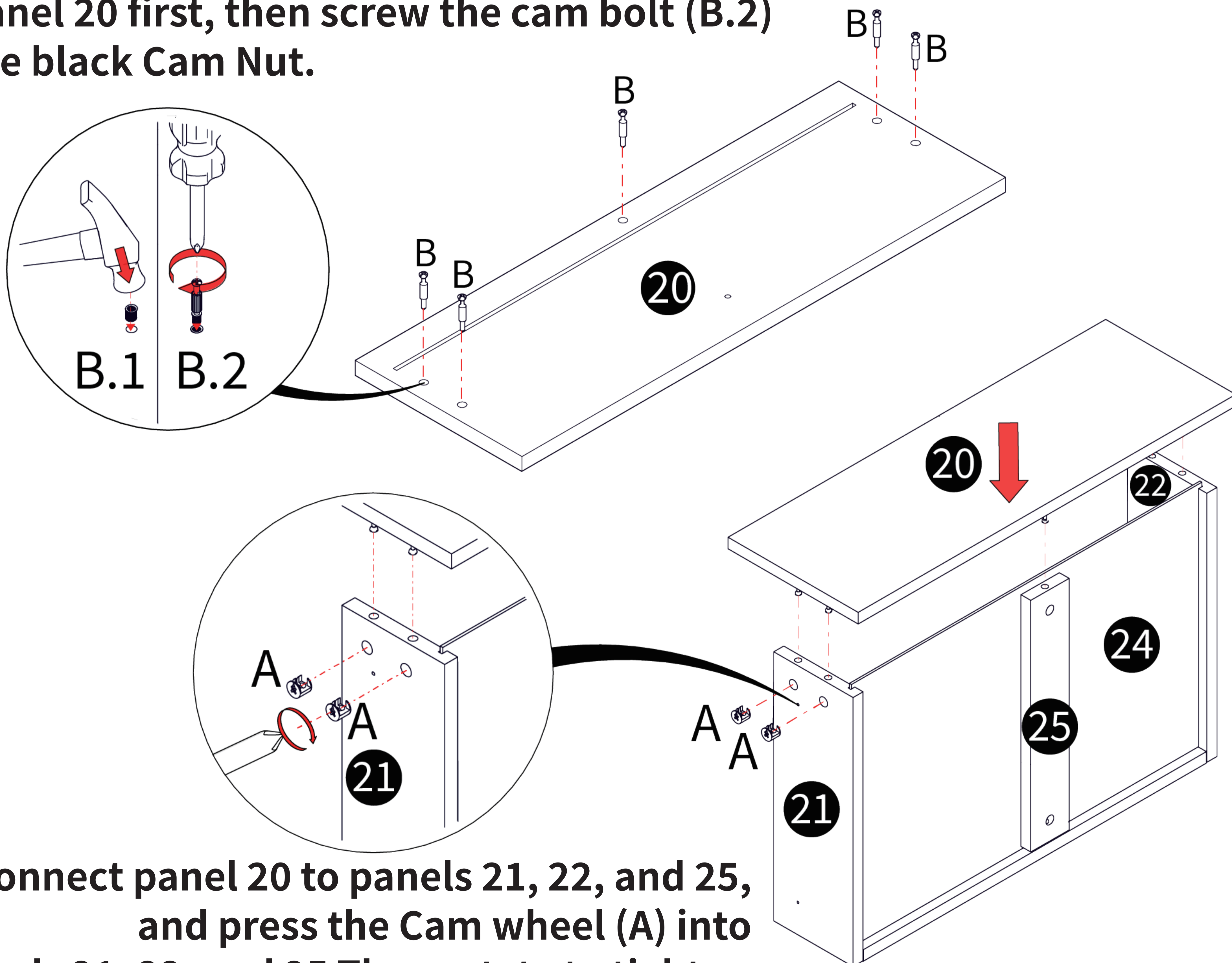
25

As shown in the figure, slide back panel 24 along the groove.



 Cam bolt Diagram	 Unscrew the Cam Nut	 Hammer into the hole	 Screw in the Cam Dowel	
 Cam wheel Diagram			 Rotate in the [+] direction	
<p>26</p>	<p>B*5</p> Cam bolt	<p>A*5</p> Cam wheel		

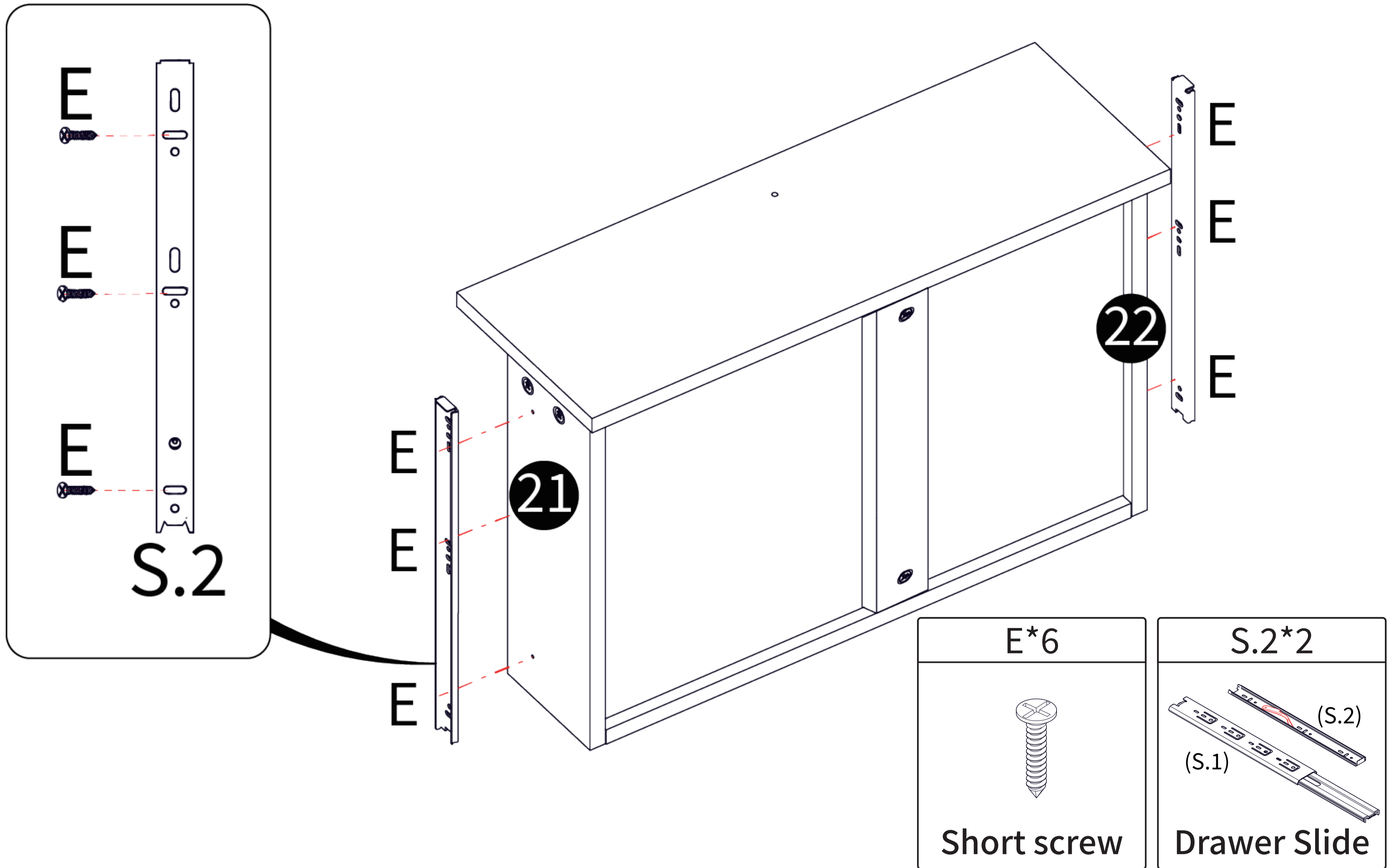
As shown in the figure, hammer the black Cam Nut (B.1) into panel 20 first, then screw the cam bolt (B.2) into the black Cam Nut.



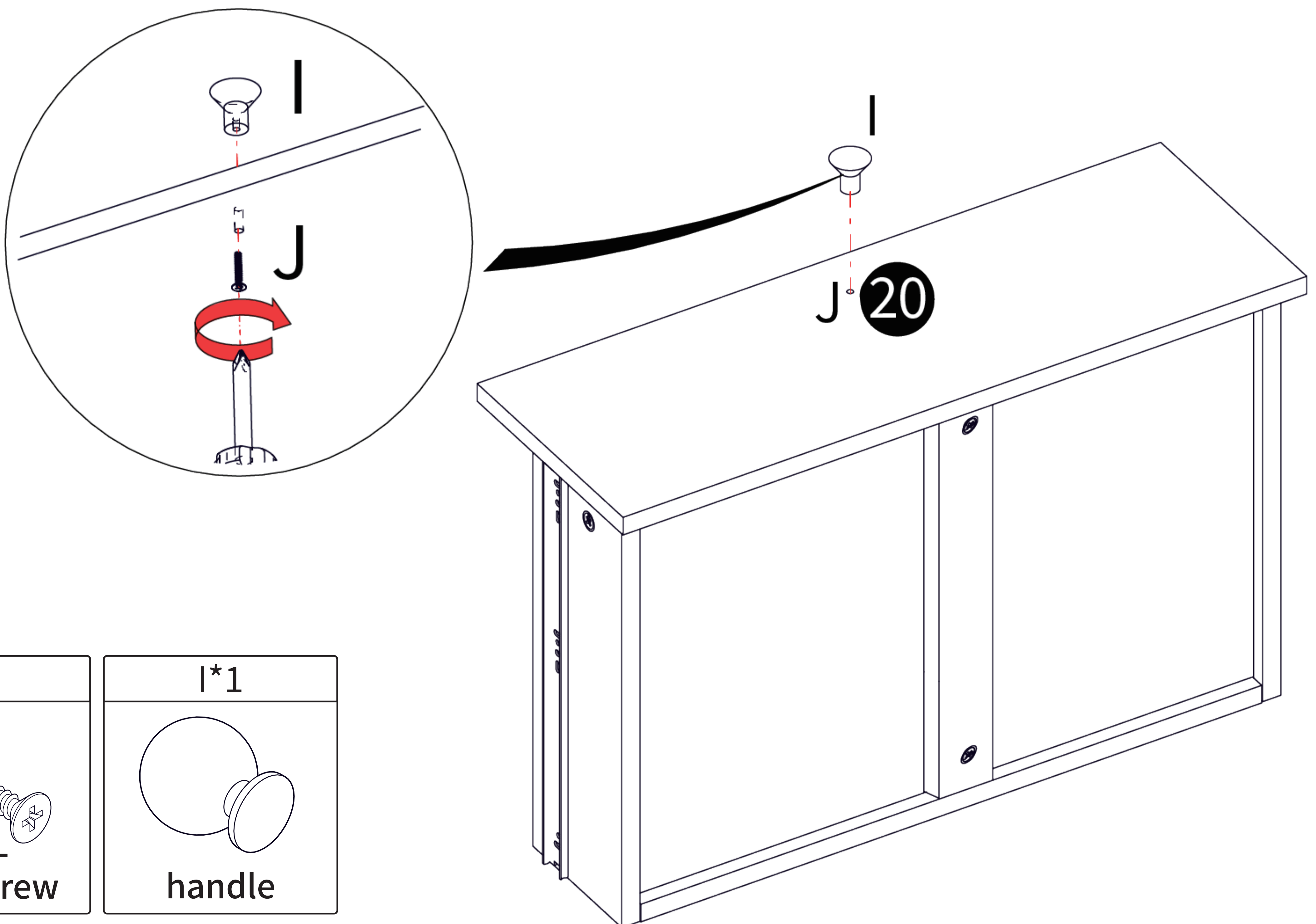
Then connect panel 20 to panels 21, 22, and 25, and press the Cam wheel (A) into panels 21, 22, and 25. Then rotate to tighten.

27

As shown in the figure, use short screws (E) to fasten the Drawer Slide (S.2) to the pre-drilled holes on panels 21 and 22.

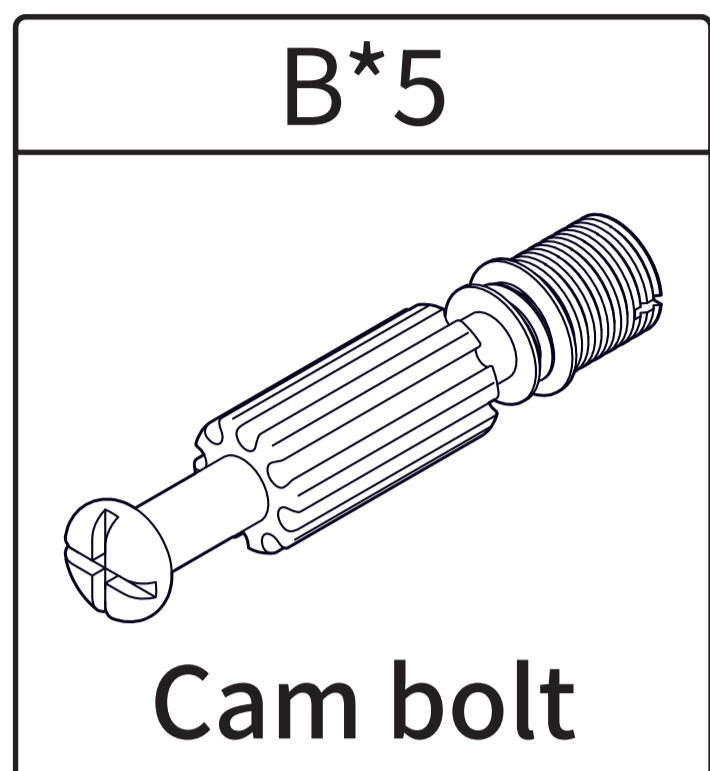
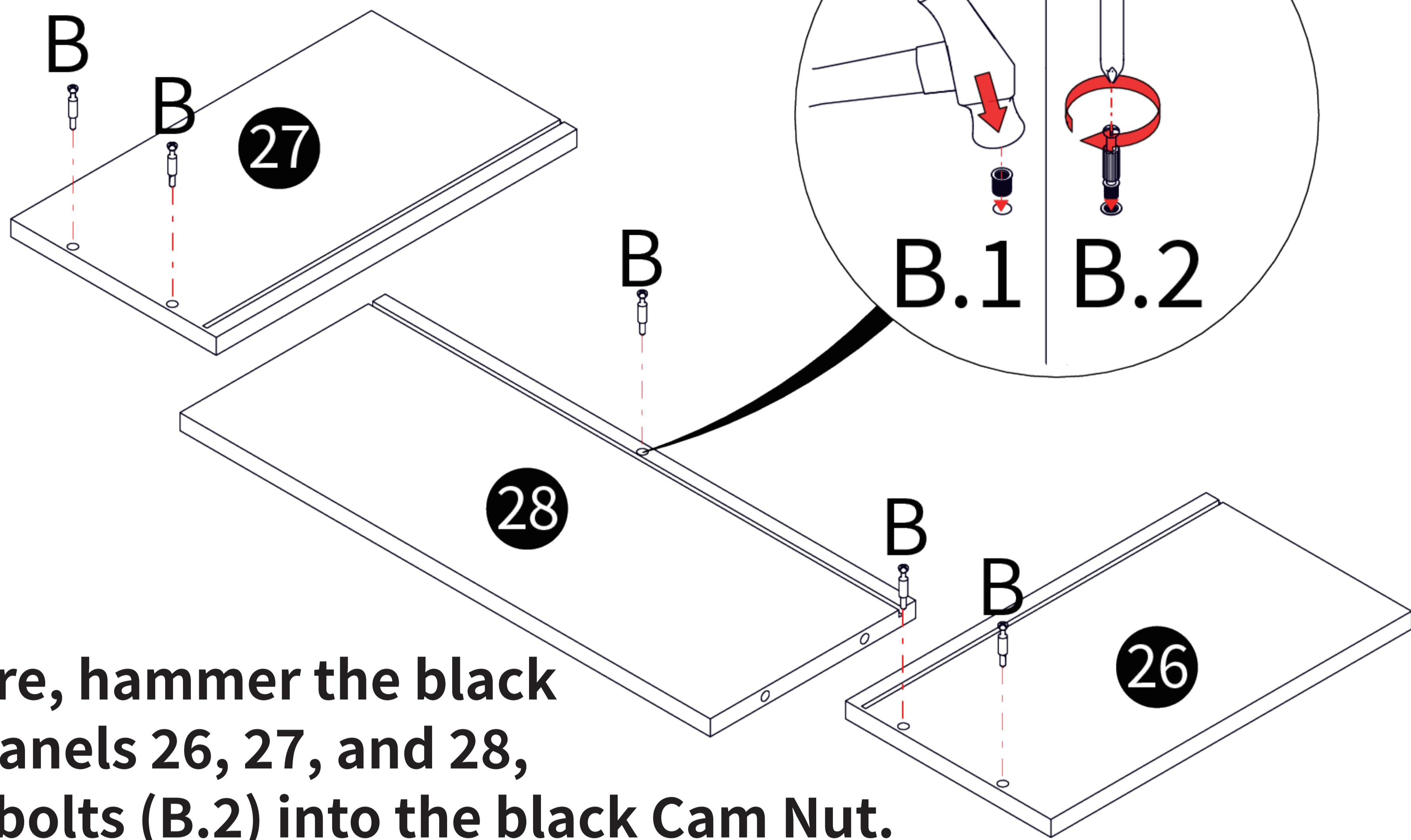


28



As shown in the figure, use flat-head screws (J) to install the handle (I) on panel 20.

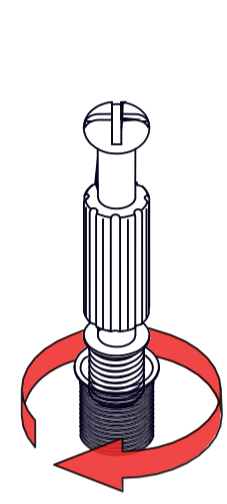
29



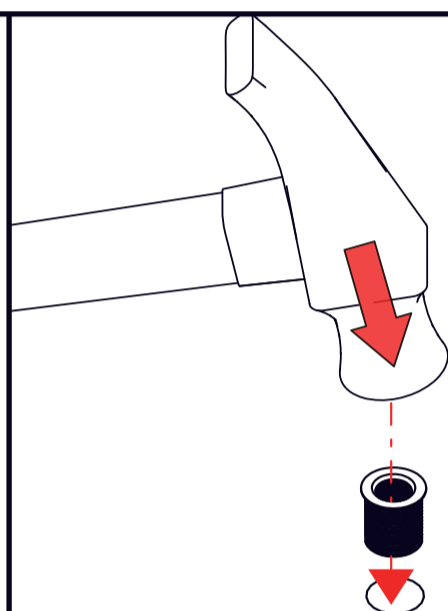
As shown in the figure, hammer the black Cam Nut (B.1) into panels 26, 27, and 28, then screw the cam bolts (B.2) into the black Cam Nut.



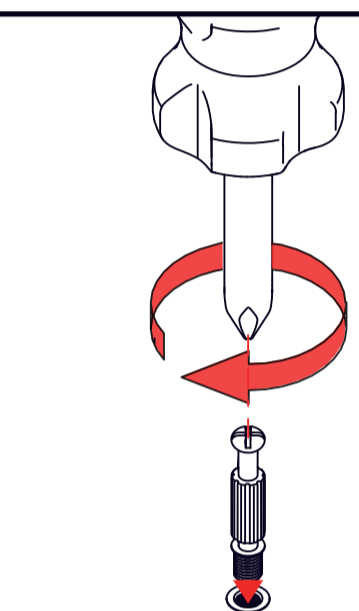
Cam bolt Diagram



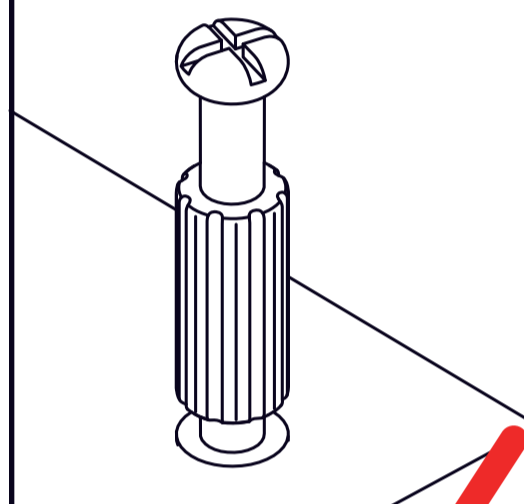
Unscrew the Cam Nut



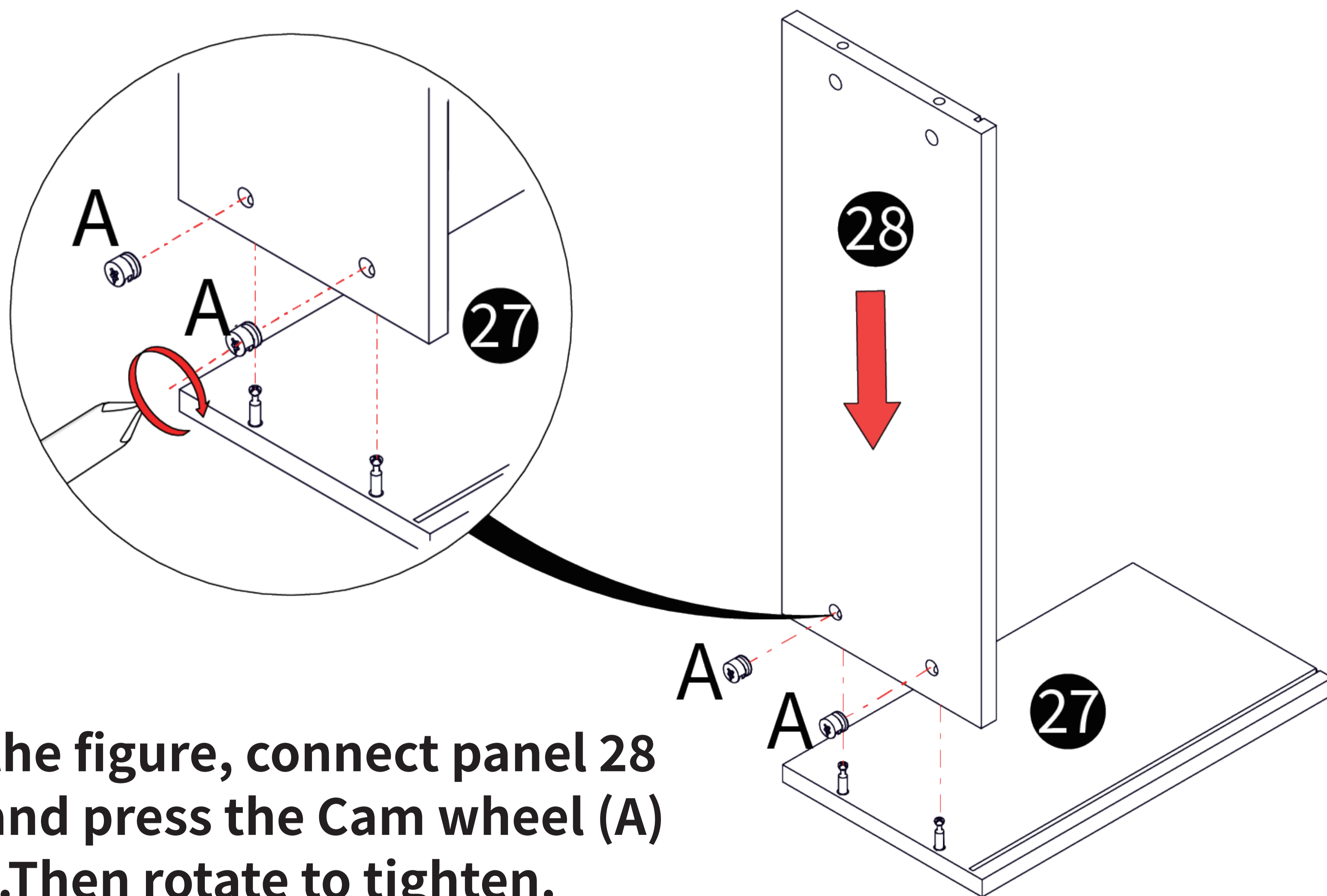
Hammer into the hole



Screw in the Cam Dowel



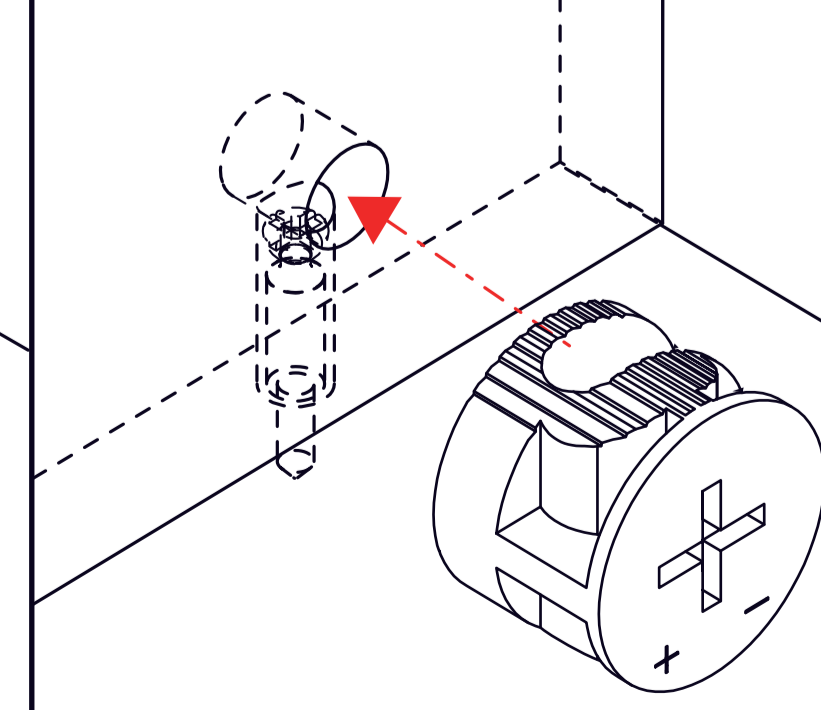
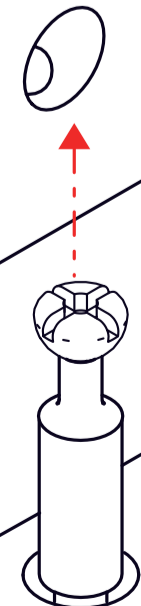
30



As shown in the figure, connect panel 28 to panel 27, and press the Cam wheel (A) into panel 28. Then rotate to tighten.

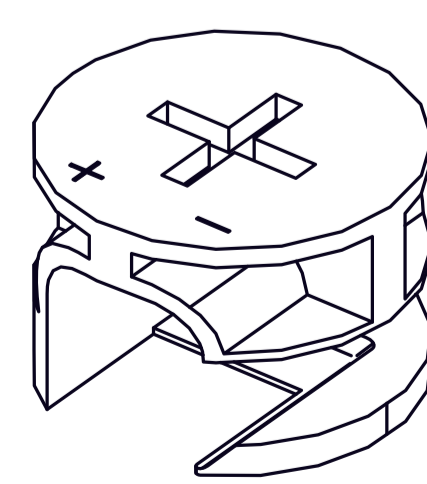


Cam wheel Diagram



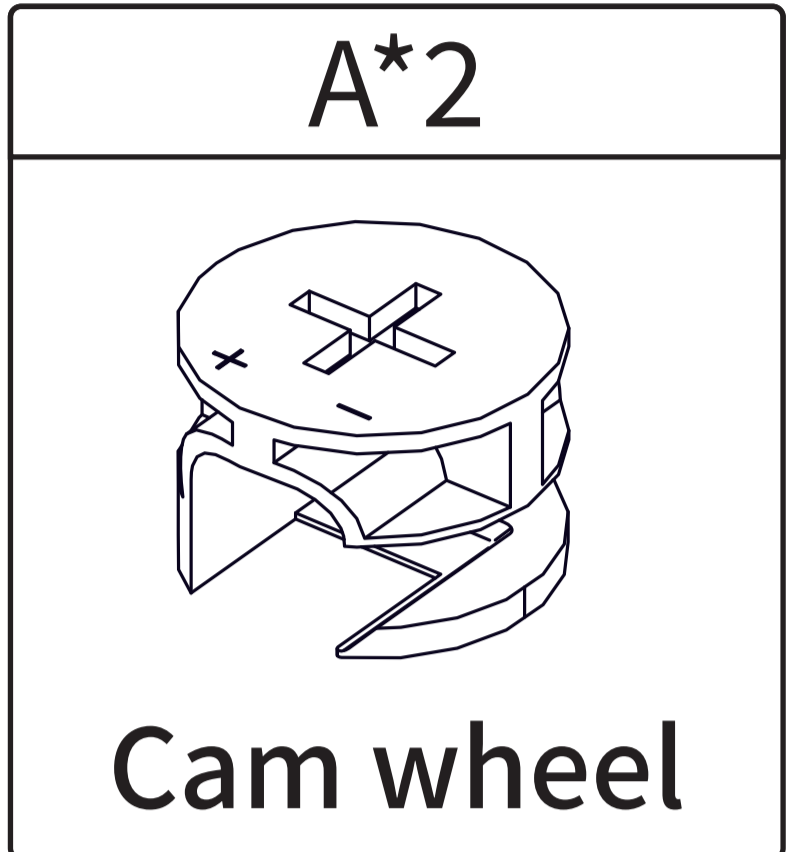
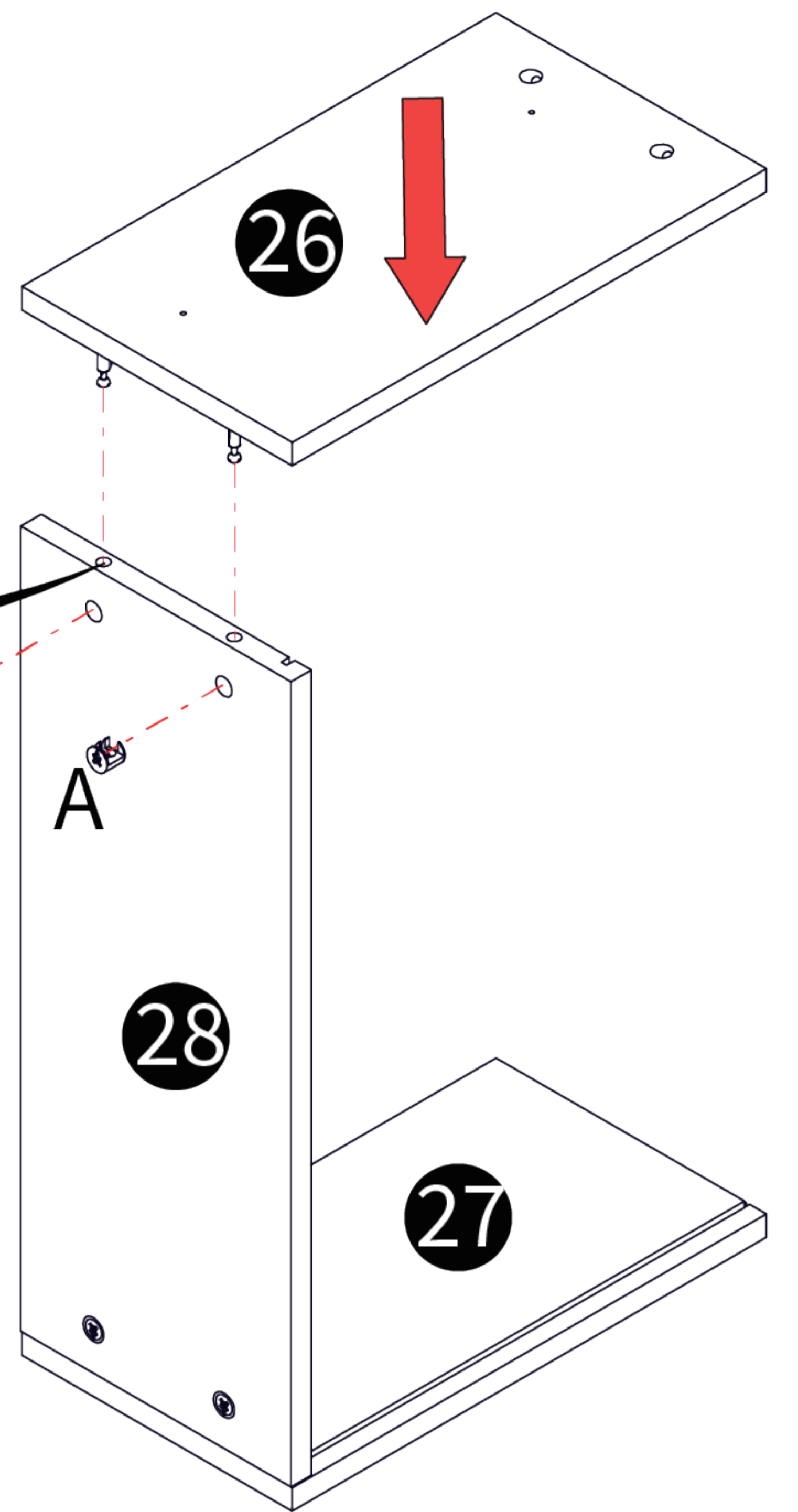
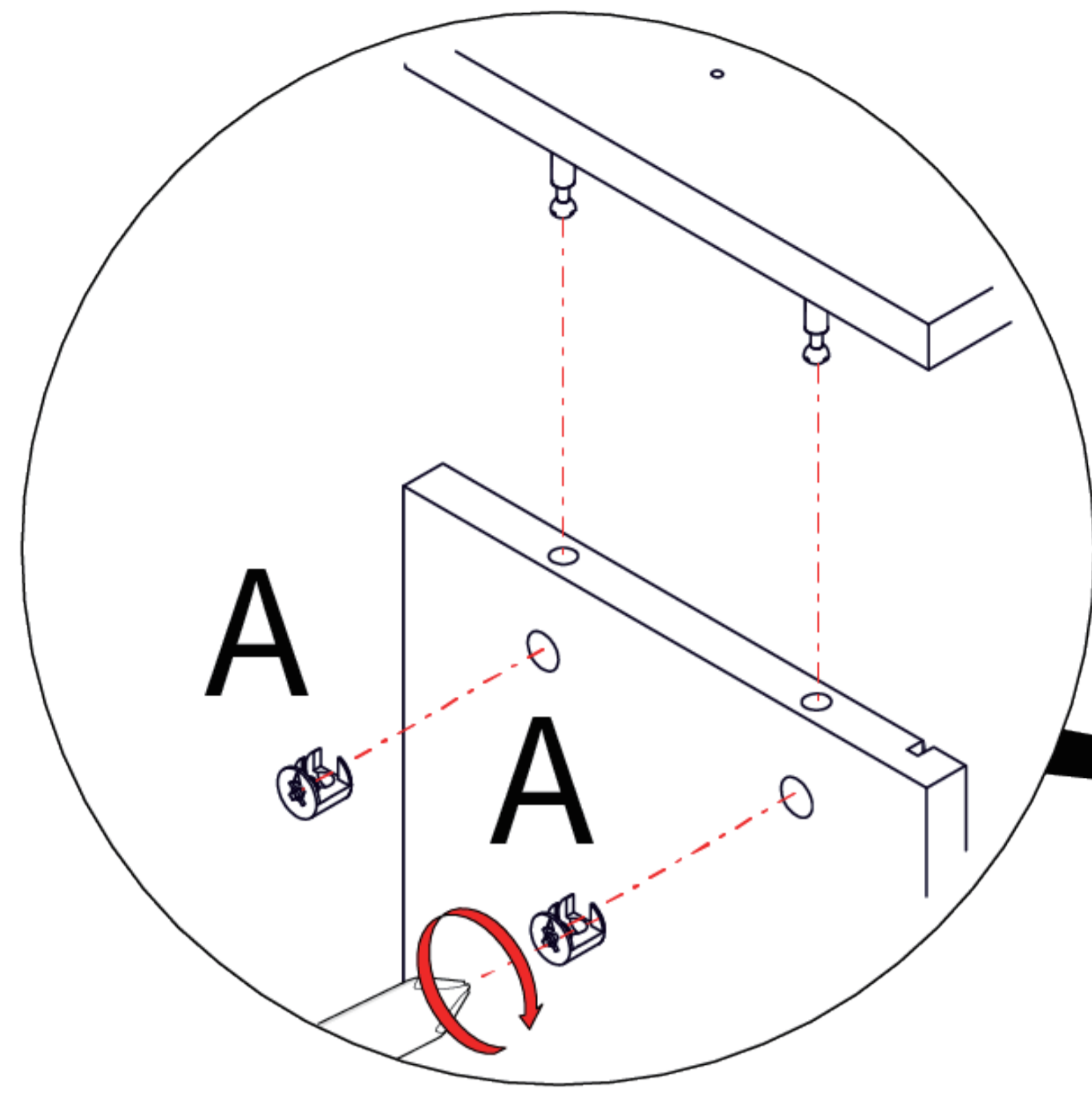
Rotate in the [+]
direction

A*2

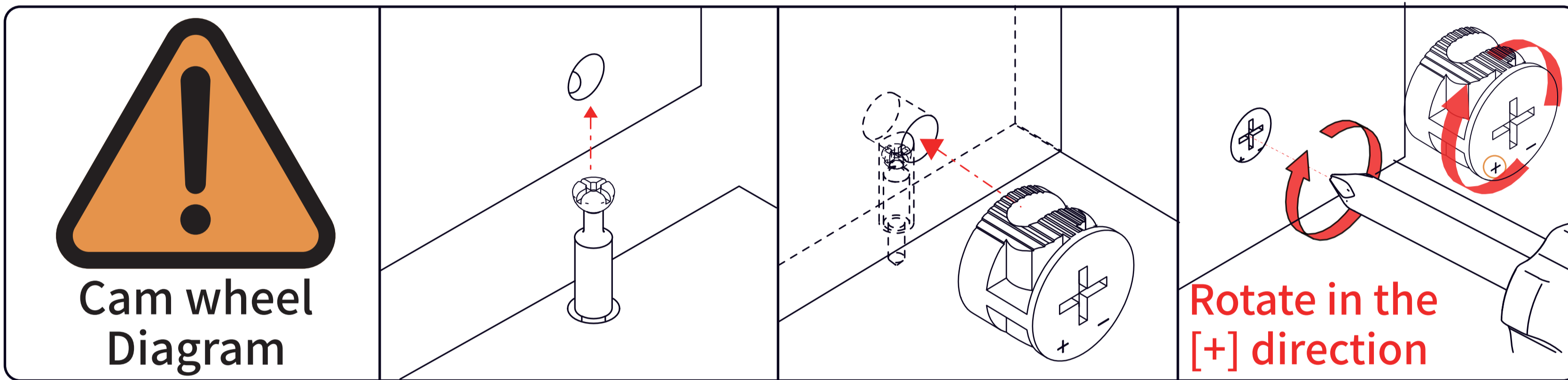


Cam wheel

31

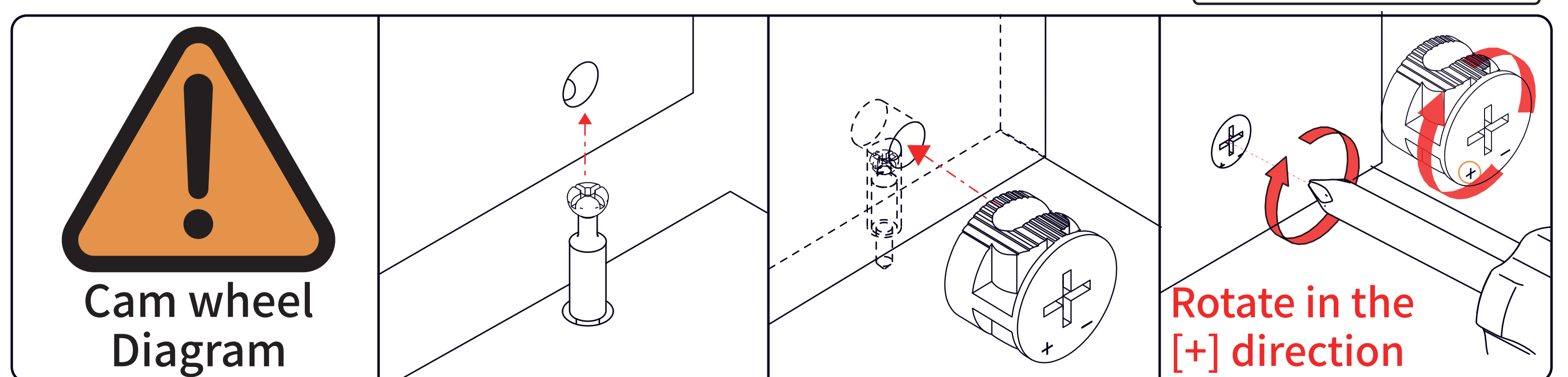
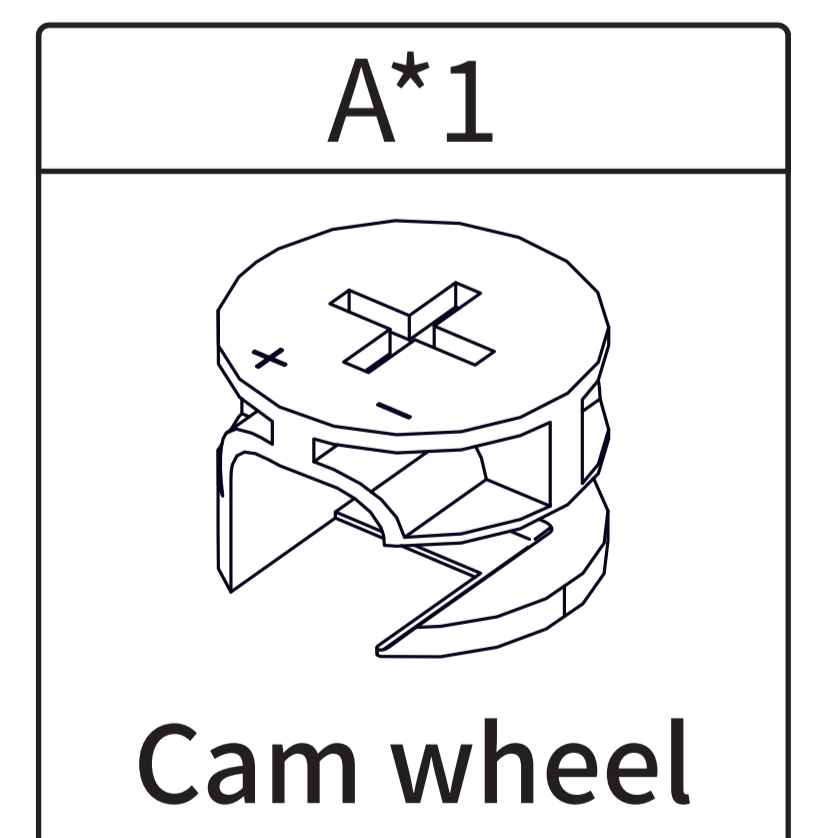
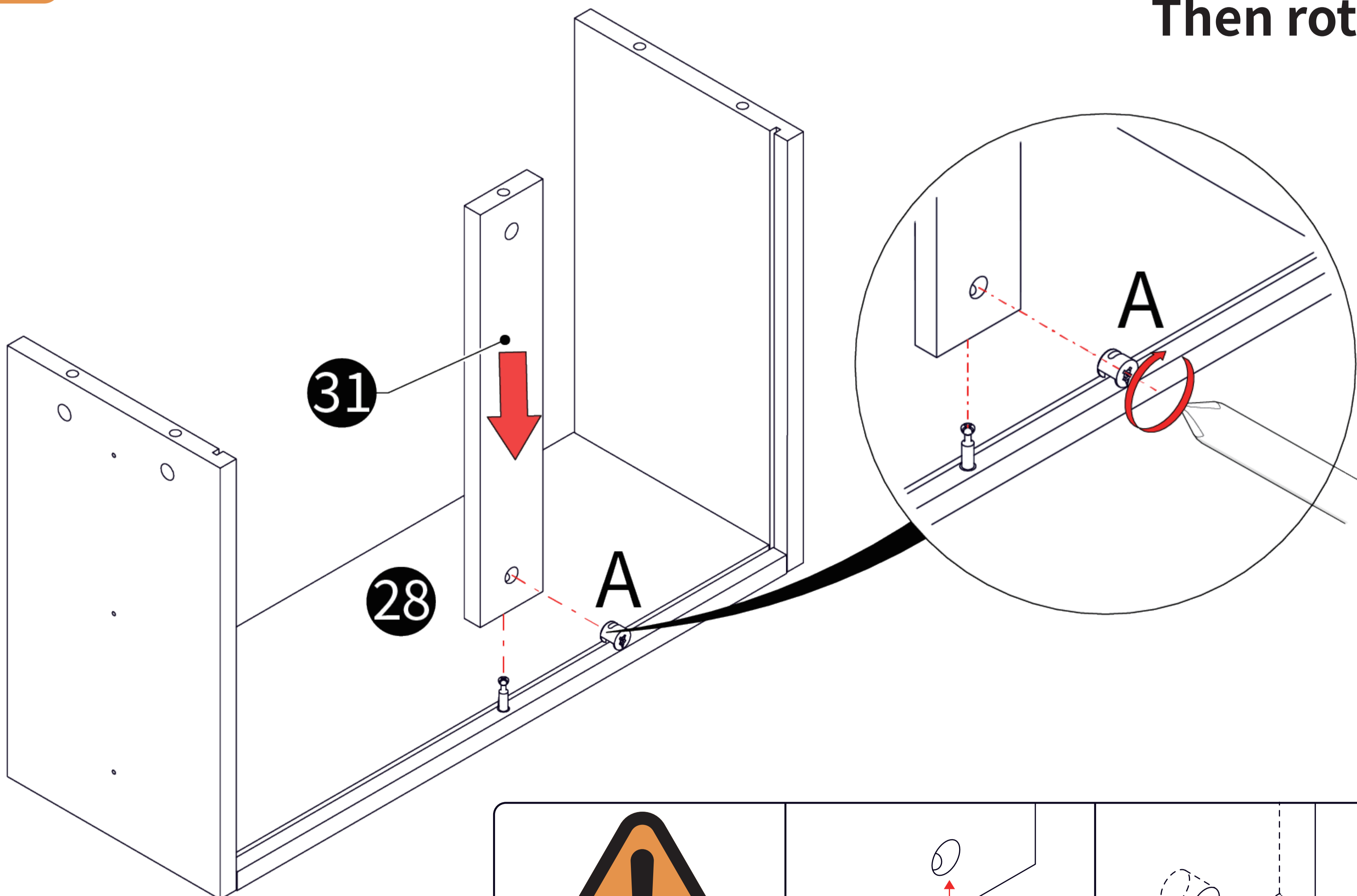


As shown in the figure, connect panel 26 to panel 28, and press the Cam wheel (A) into panel 28. Then rotate to tighten.

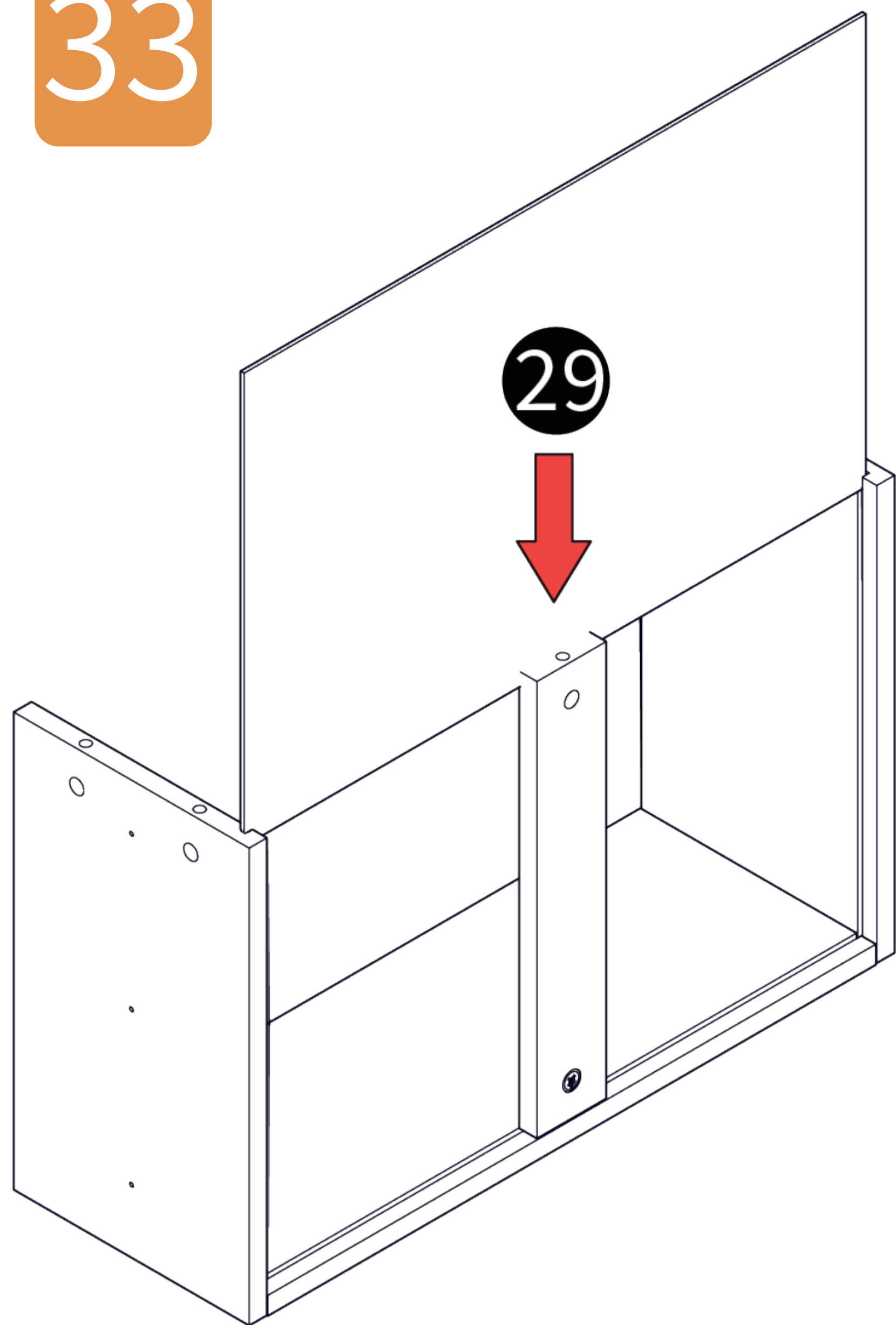


32

As shown in the figure, connect panel 31 to panel 28, and press the Cam wheel (A) into panel 31. Then rotate to tighten.



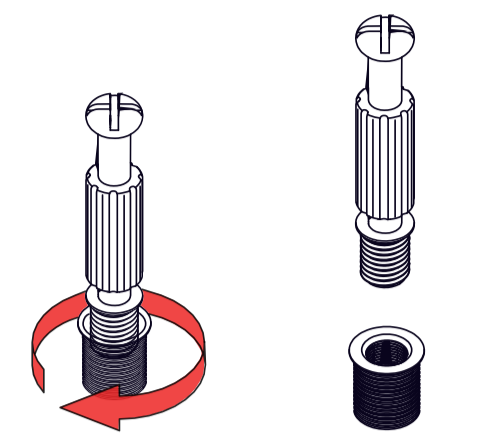
33



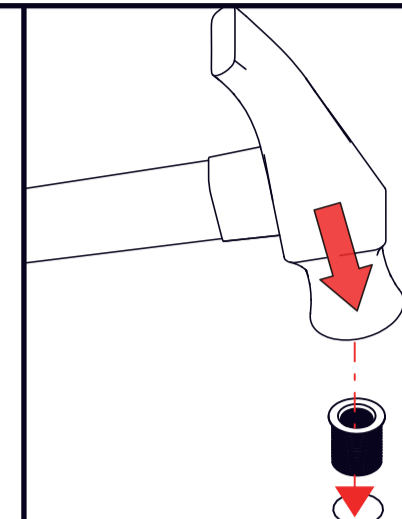
As shown in the figure, slide back panel 29 along the groove.



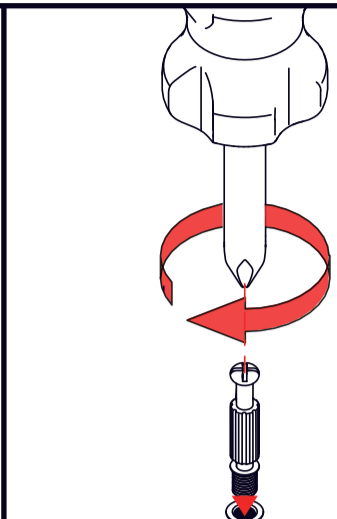
Cam bolt Diagram



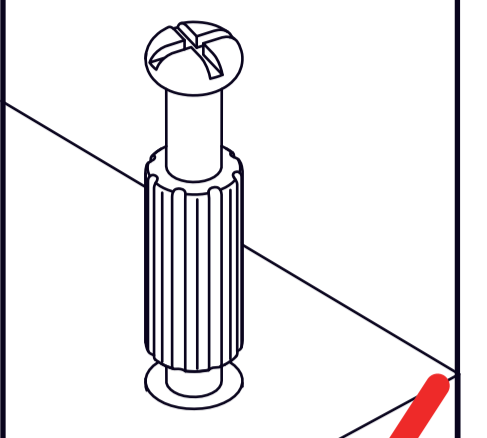
Unscrew the Cam Nut



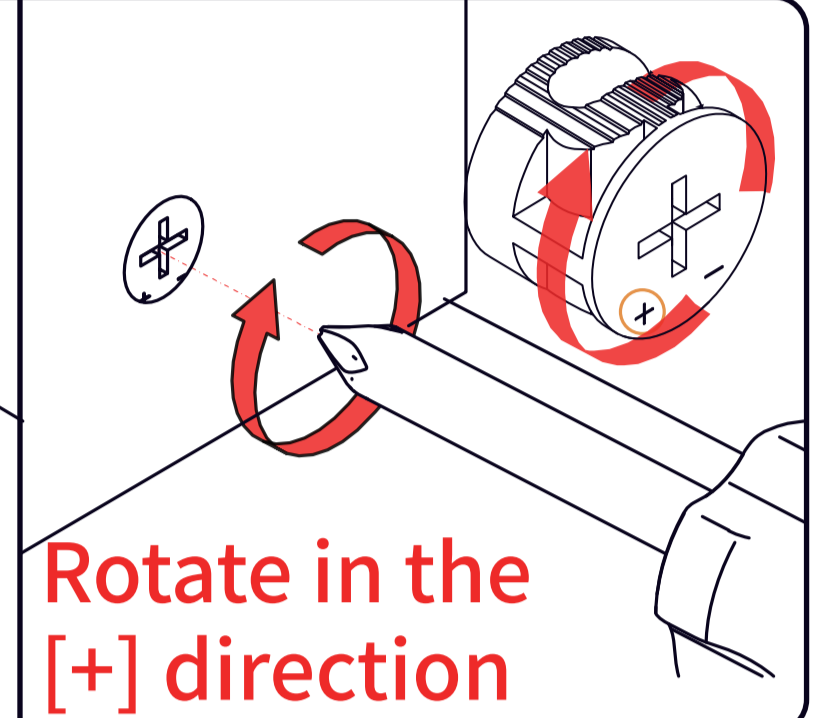
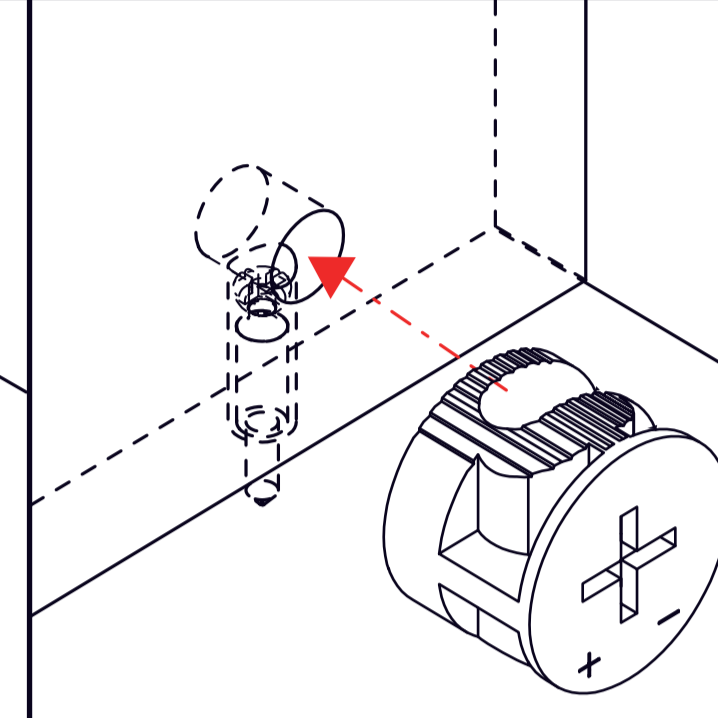
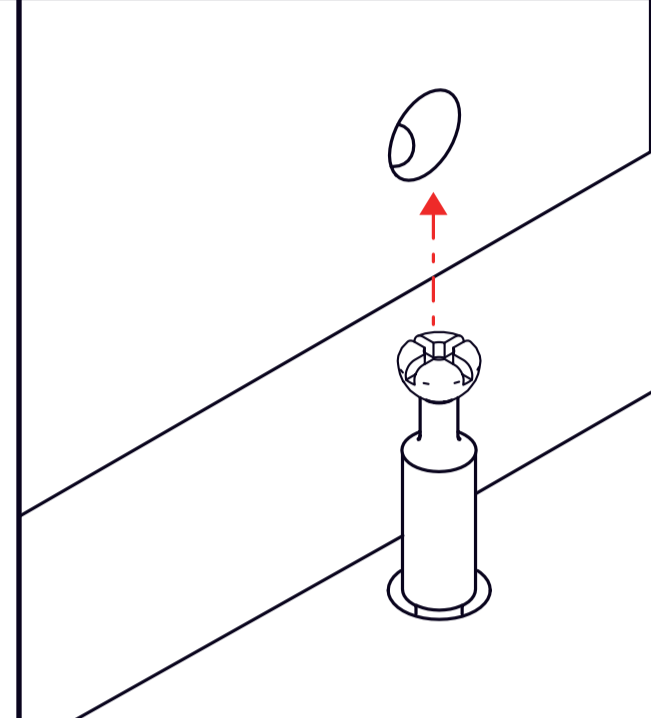
Hammer into the hole



Screw in the Cam Dowel



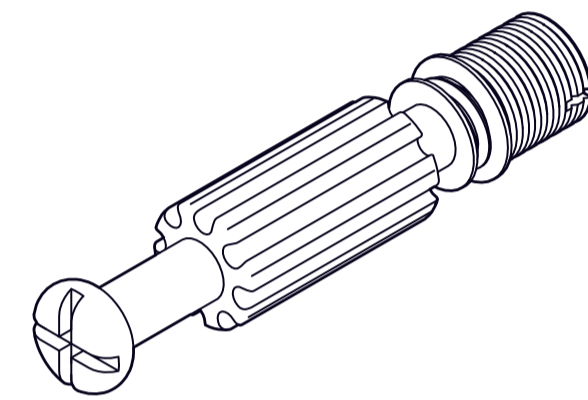
Cam wheel Diagram



Rotate in the [+] direction

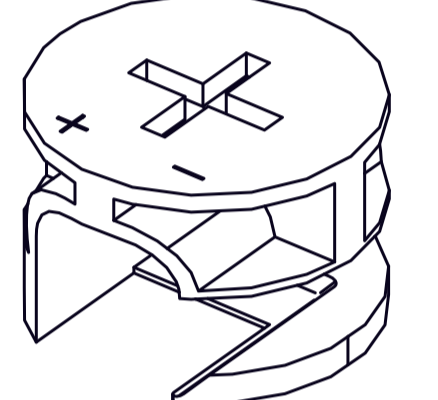
34

B*5

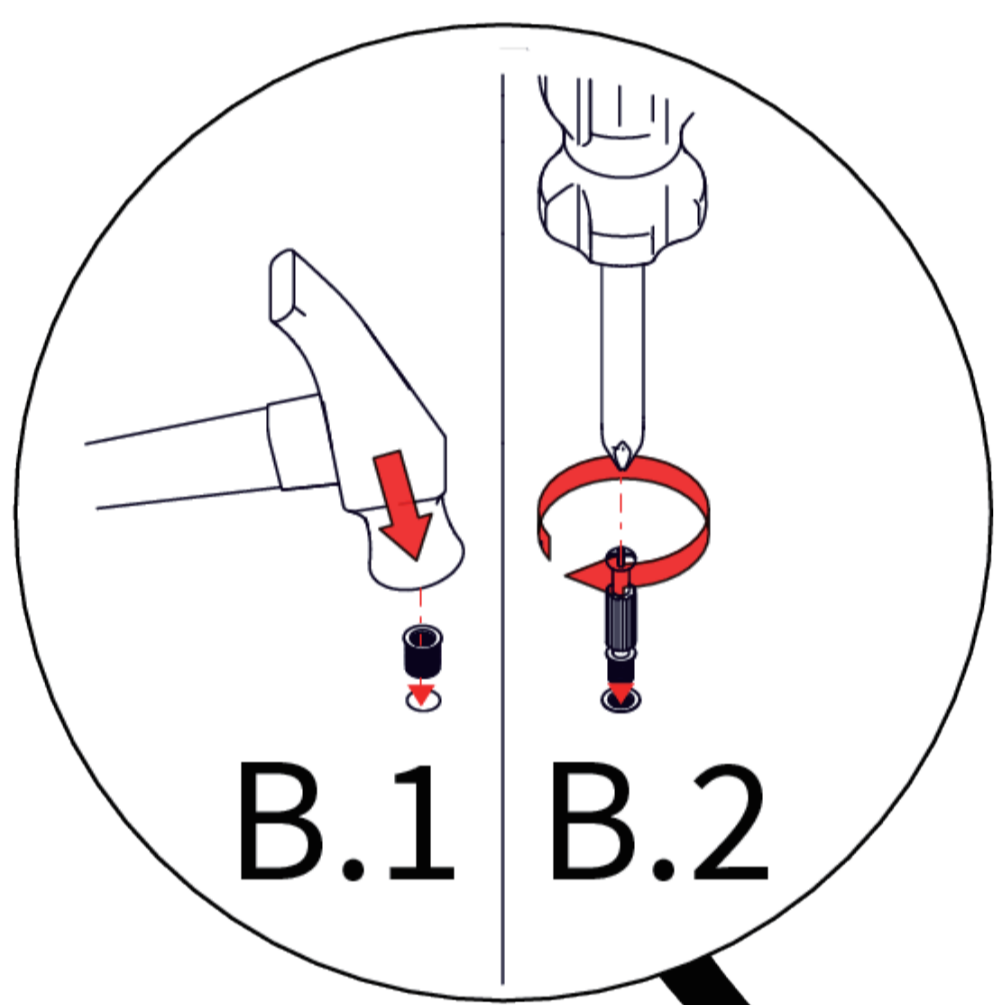


Cam bolt

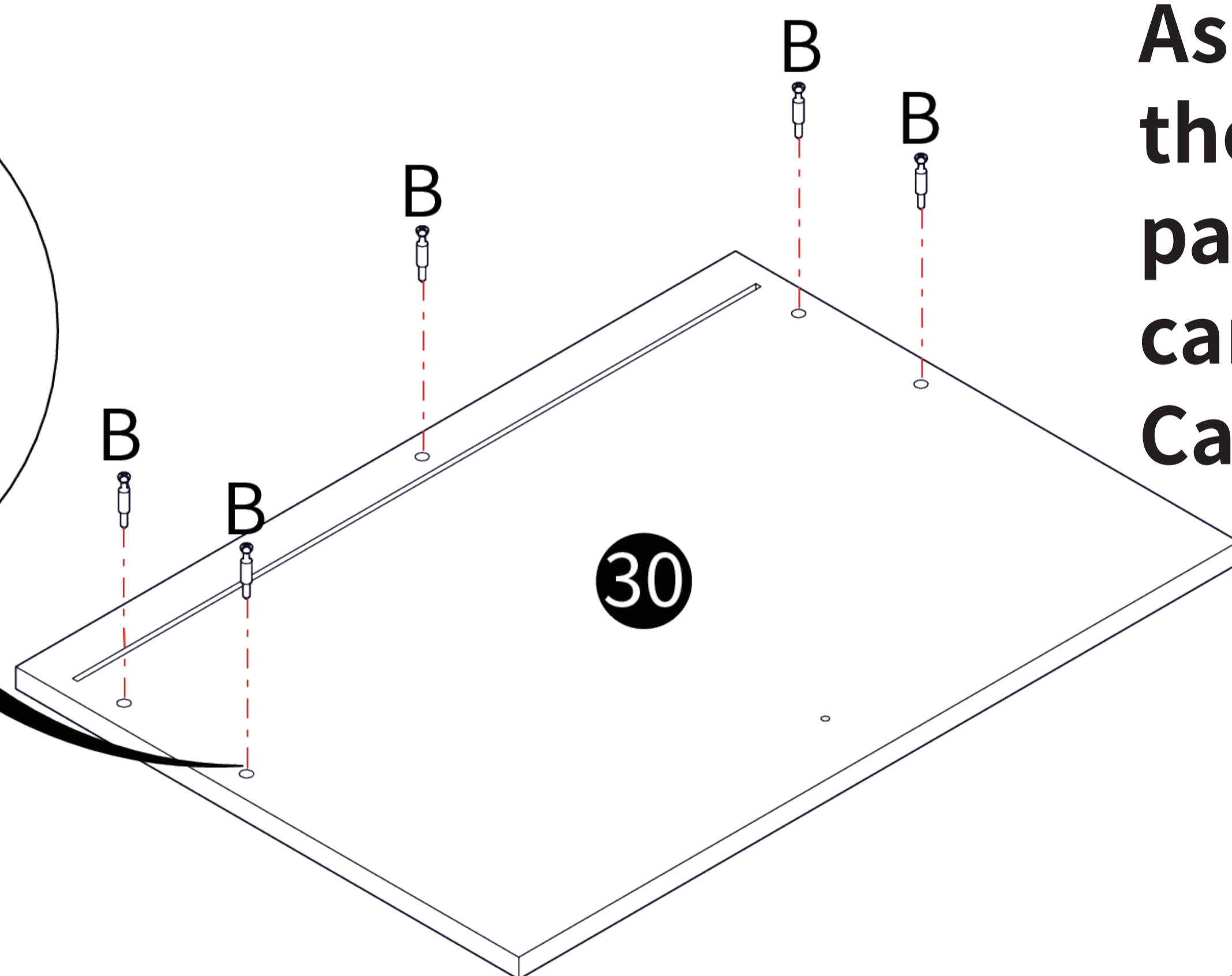
A*5



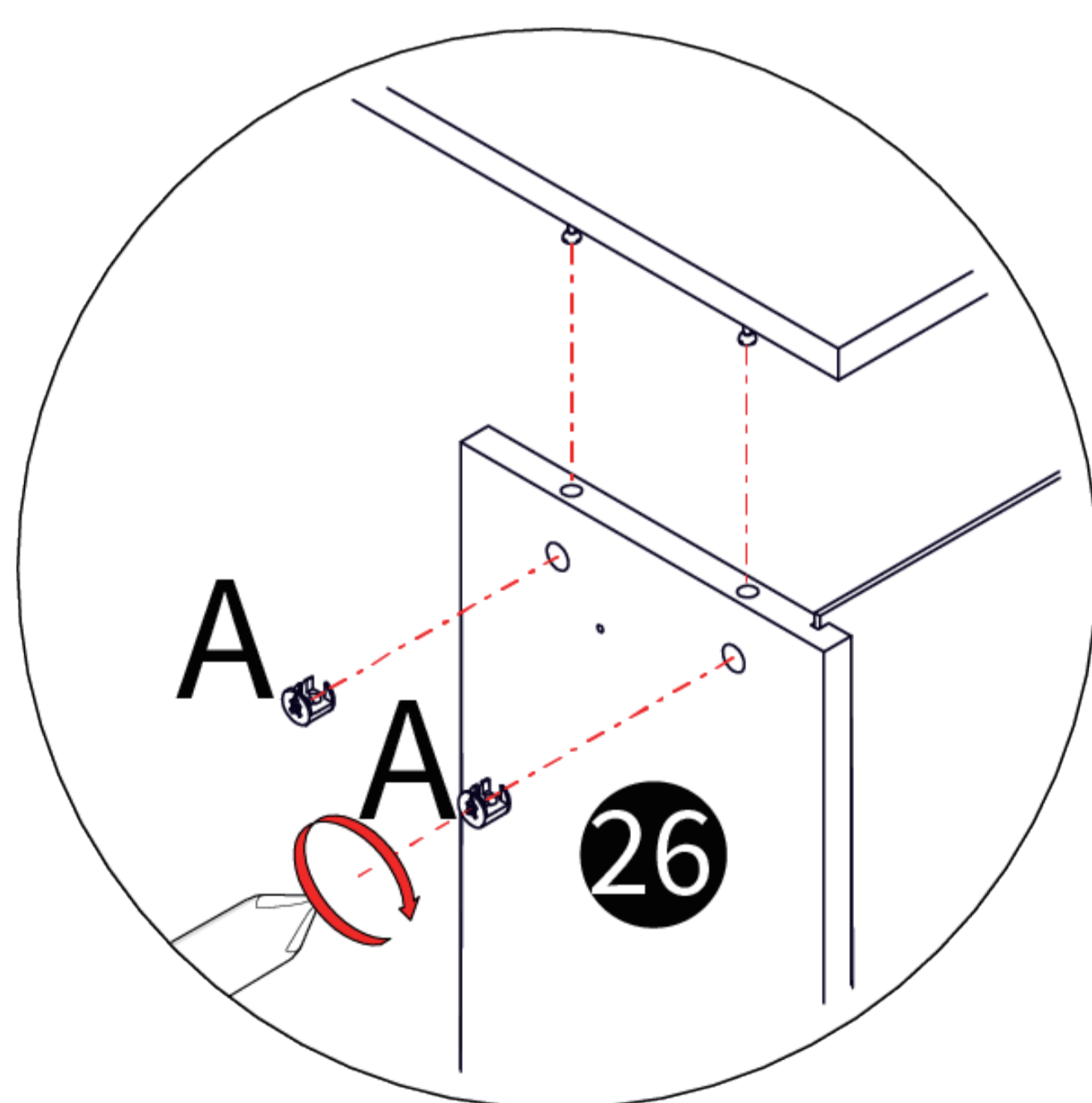
Cam wheel



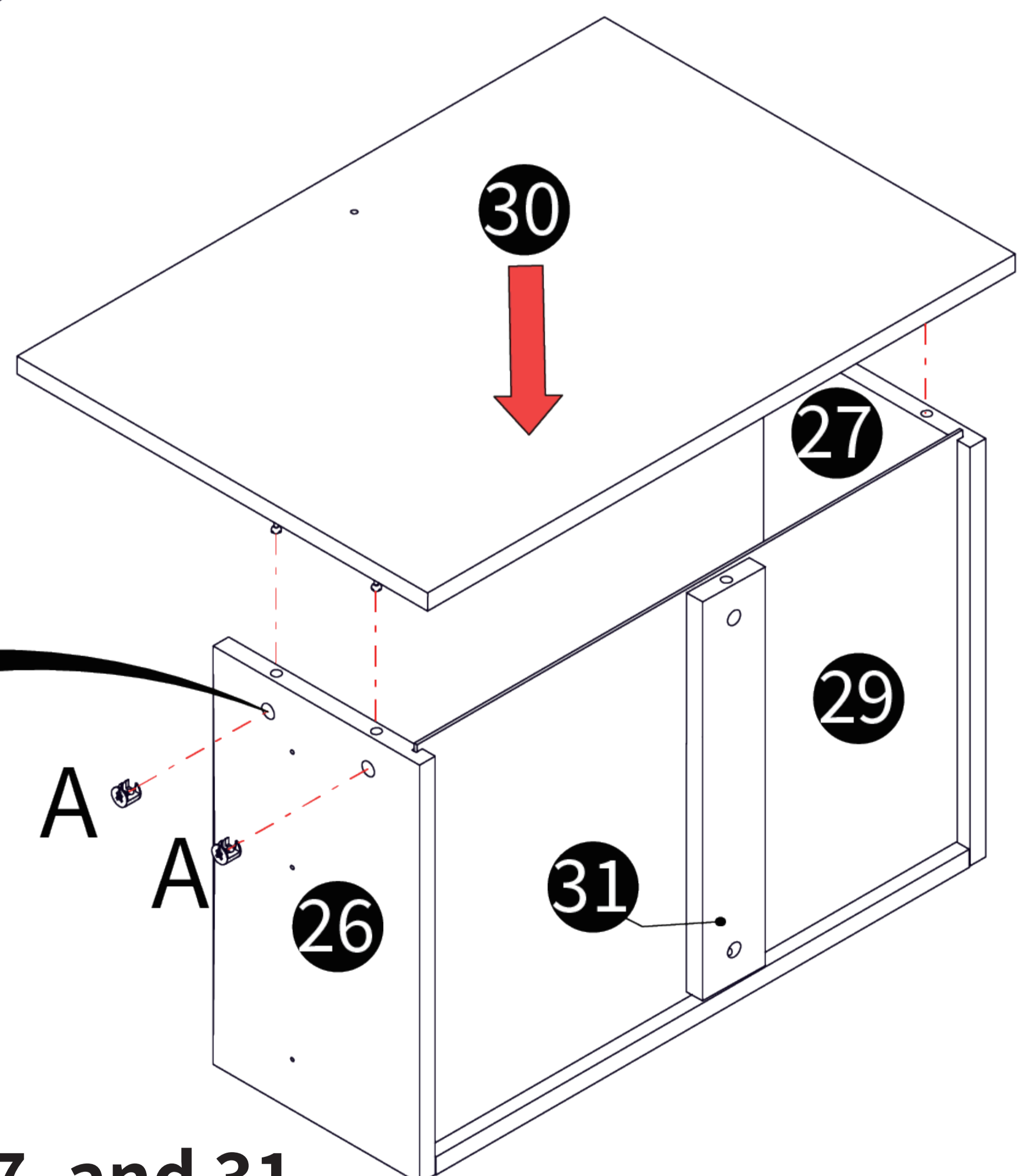
B.1 B.2



As shown in the figure, hammer the black Cam Nut (B.1) into panel 30 first, then screw the cam bolt (B.2) into the black Cam Nut.

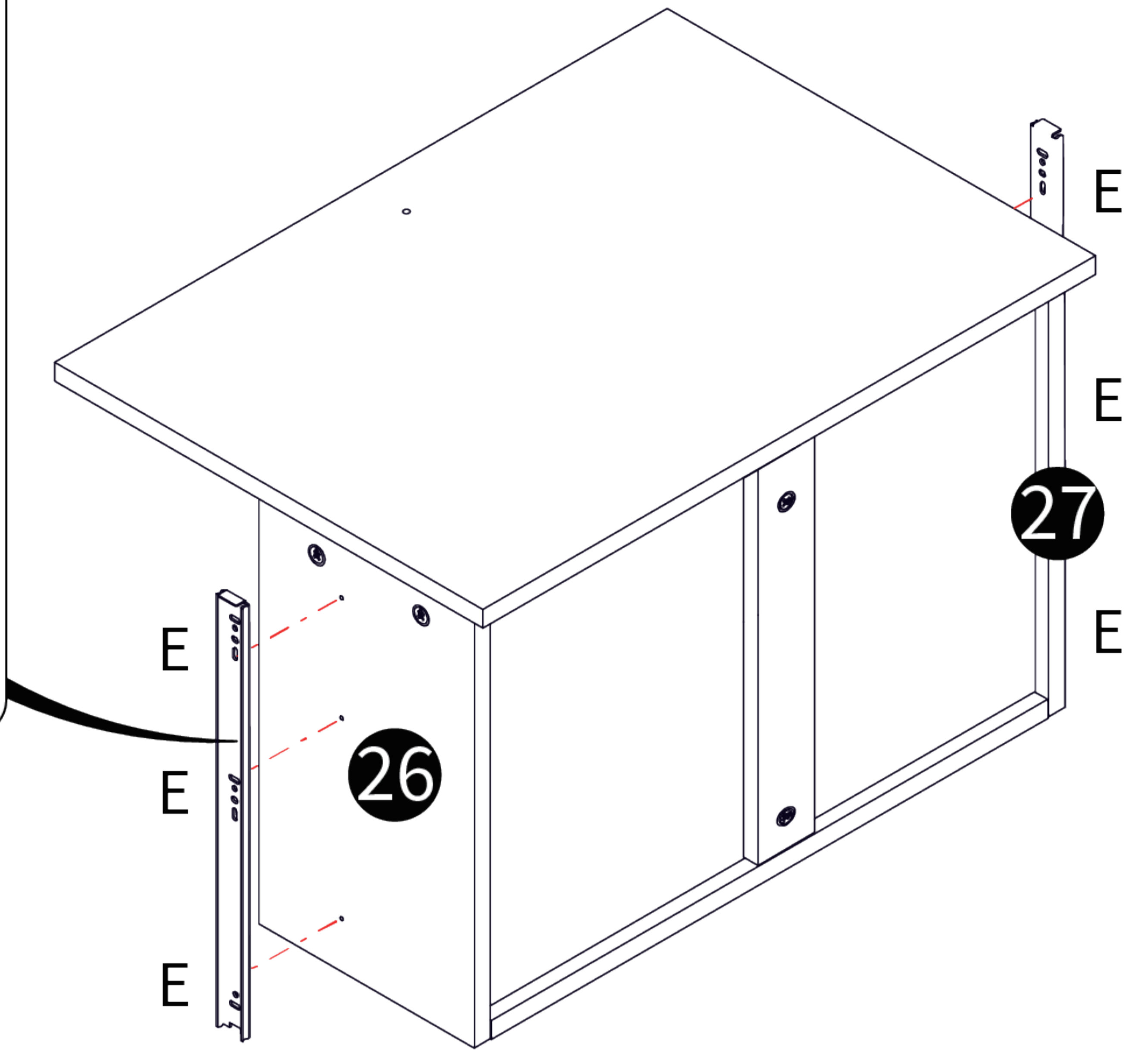
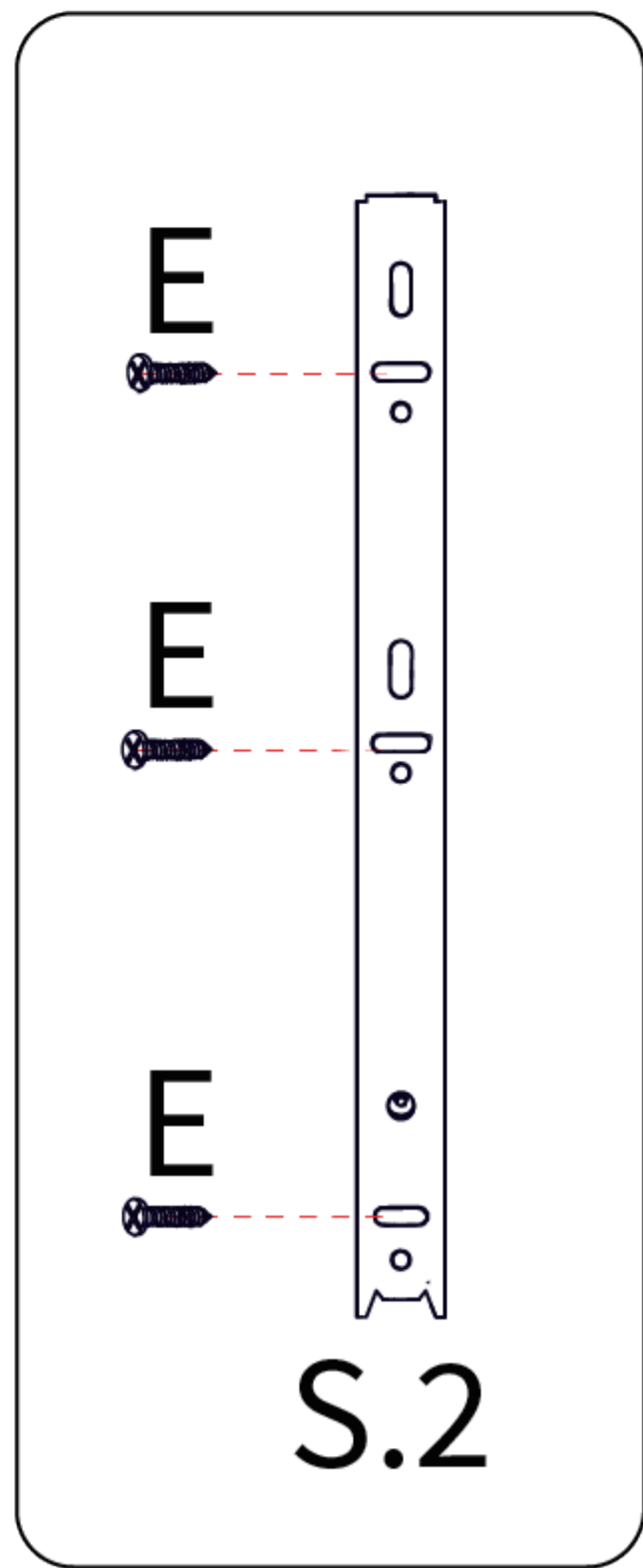
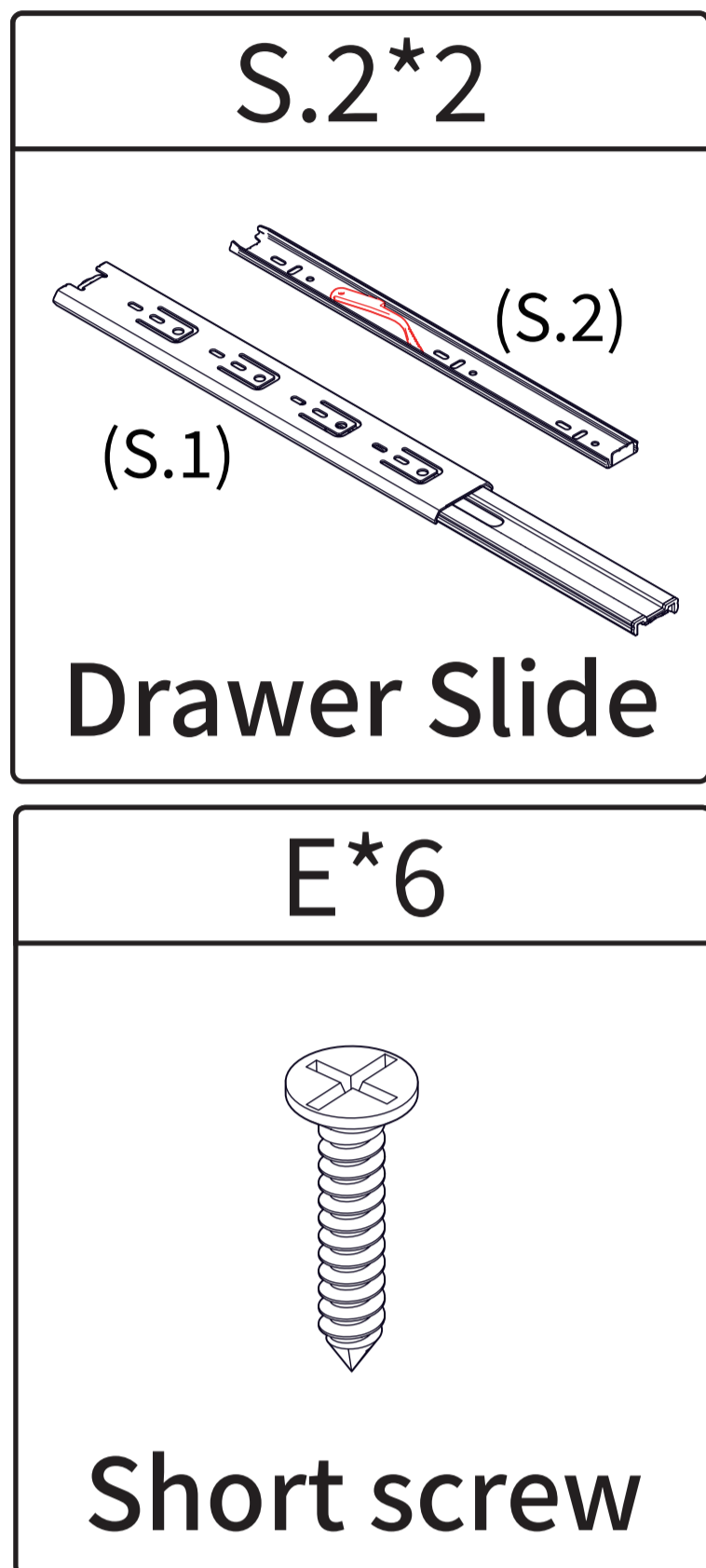


A A



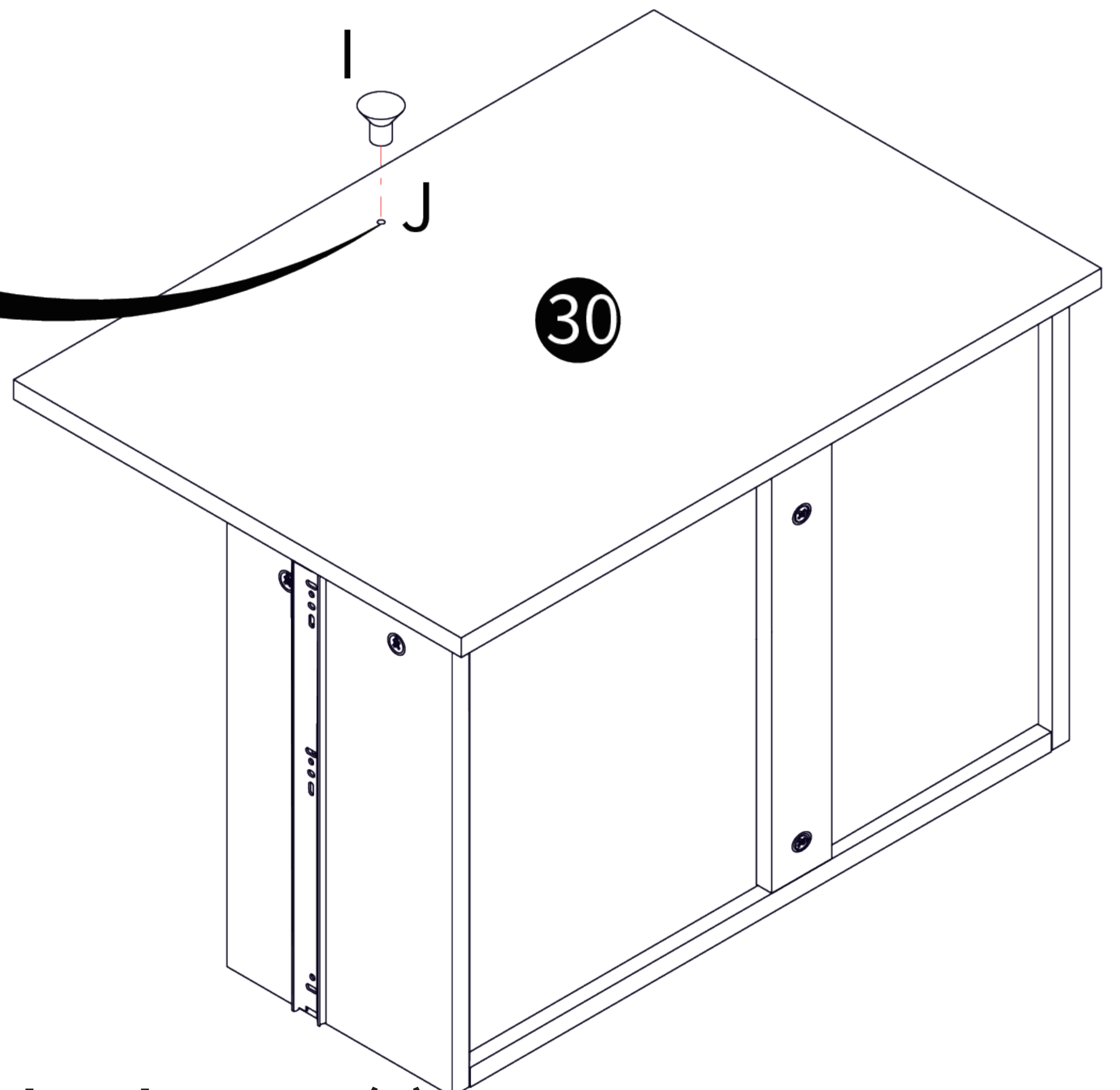
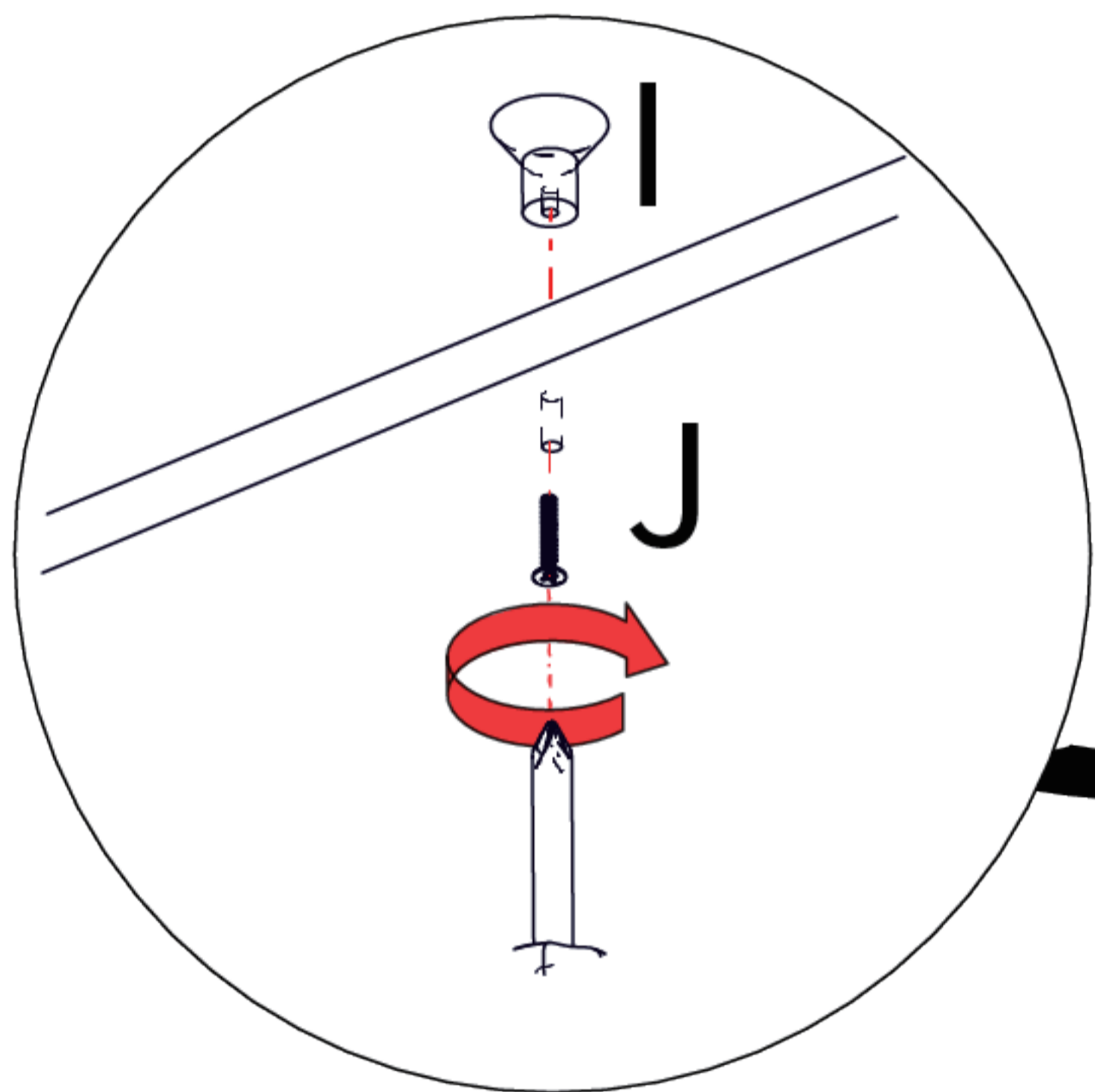
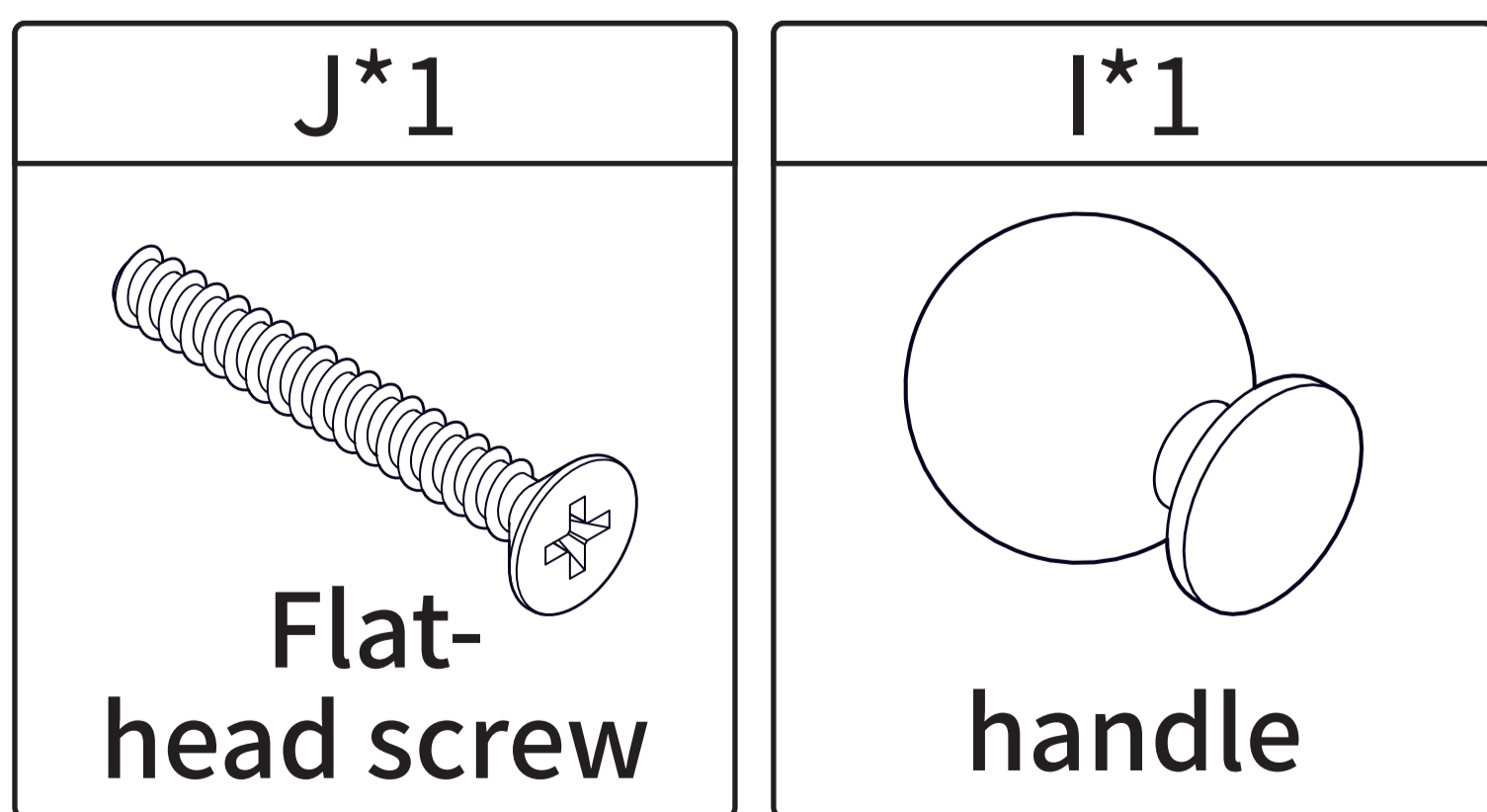
Then connect panel 30 to panels 26, 27, and 31, and press the Cam wheel (A) into panels 26, 27, and 31. Then rotate to tighten.

35



As shown in the figure, use short screws (E) to fasten the Drawer Slide (S.2) to the pre-drilled holes on panels 26 and 27.

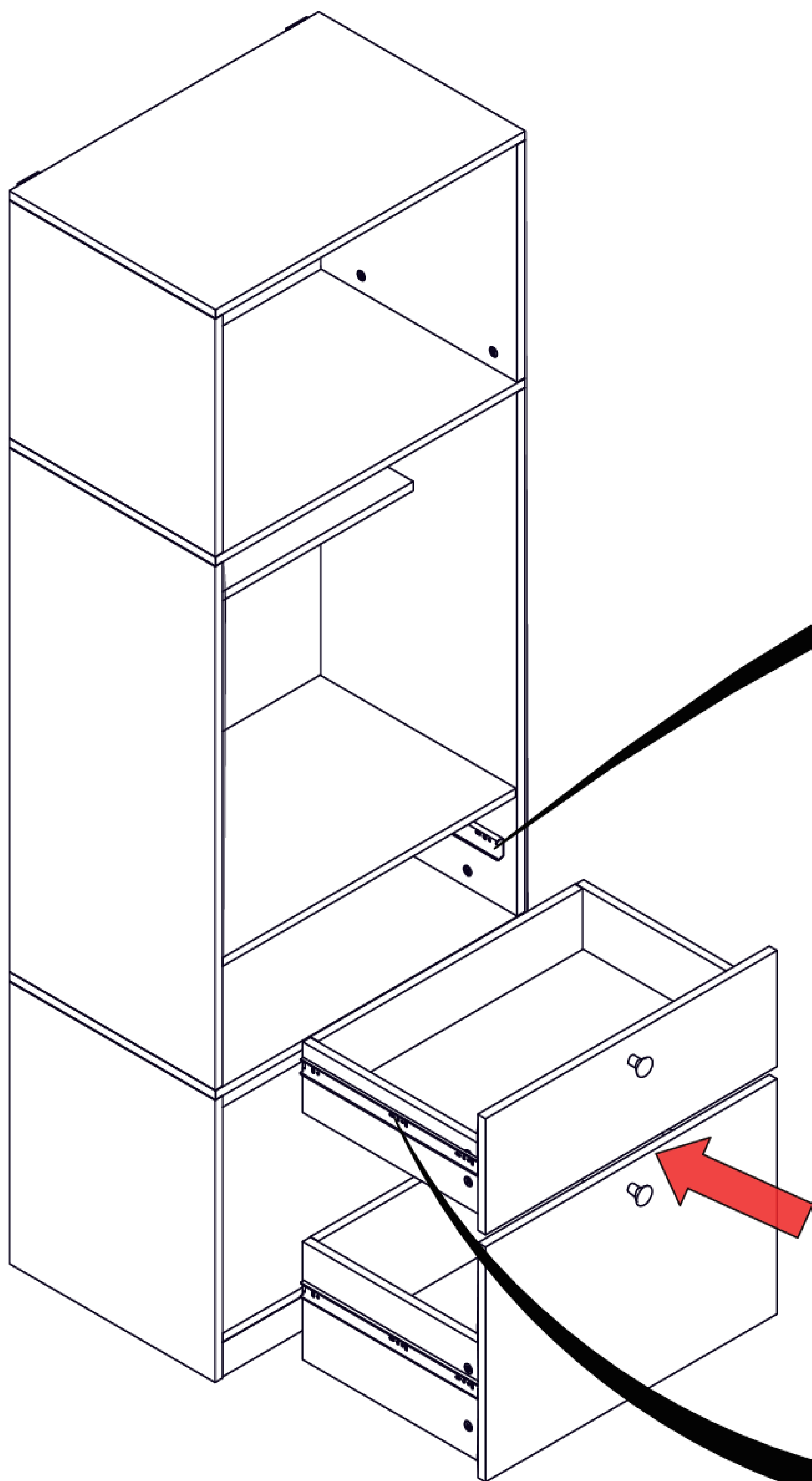
36



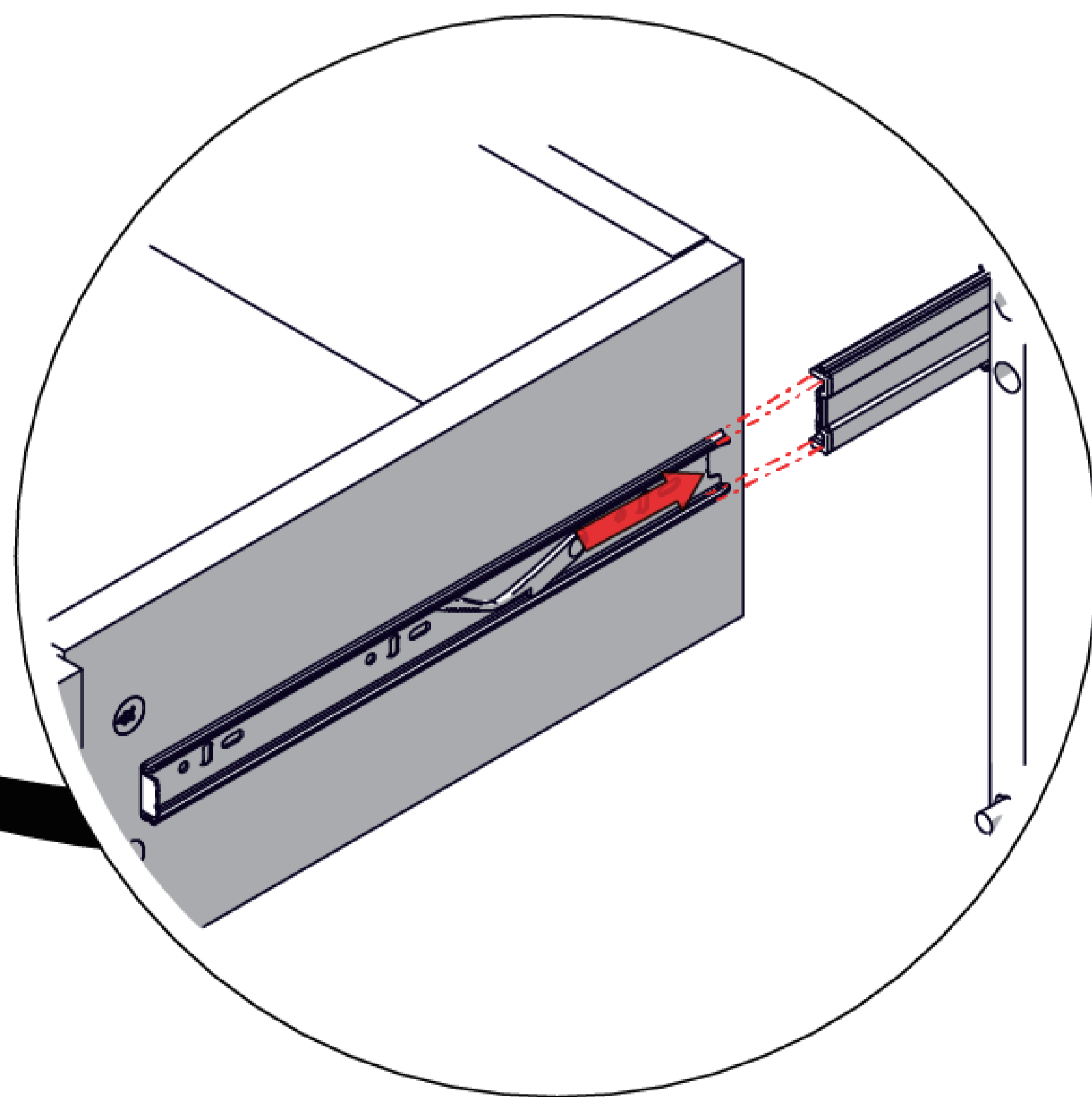
As shown in the figure, use flat-head screws (J) to install the handle (I) on panel 30.

37

As shown in the figure, adjust the Drawer Slides and install the drawers.



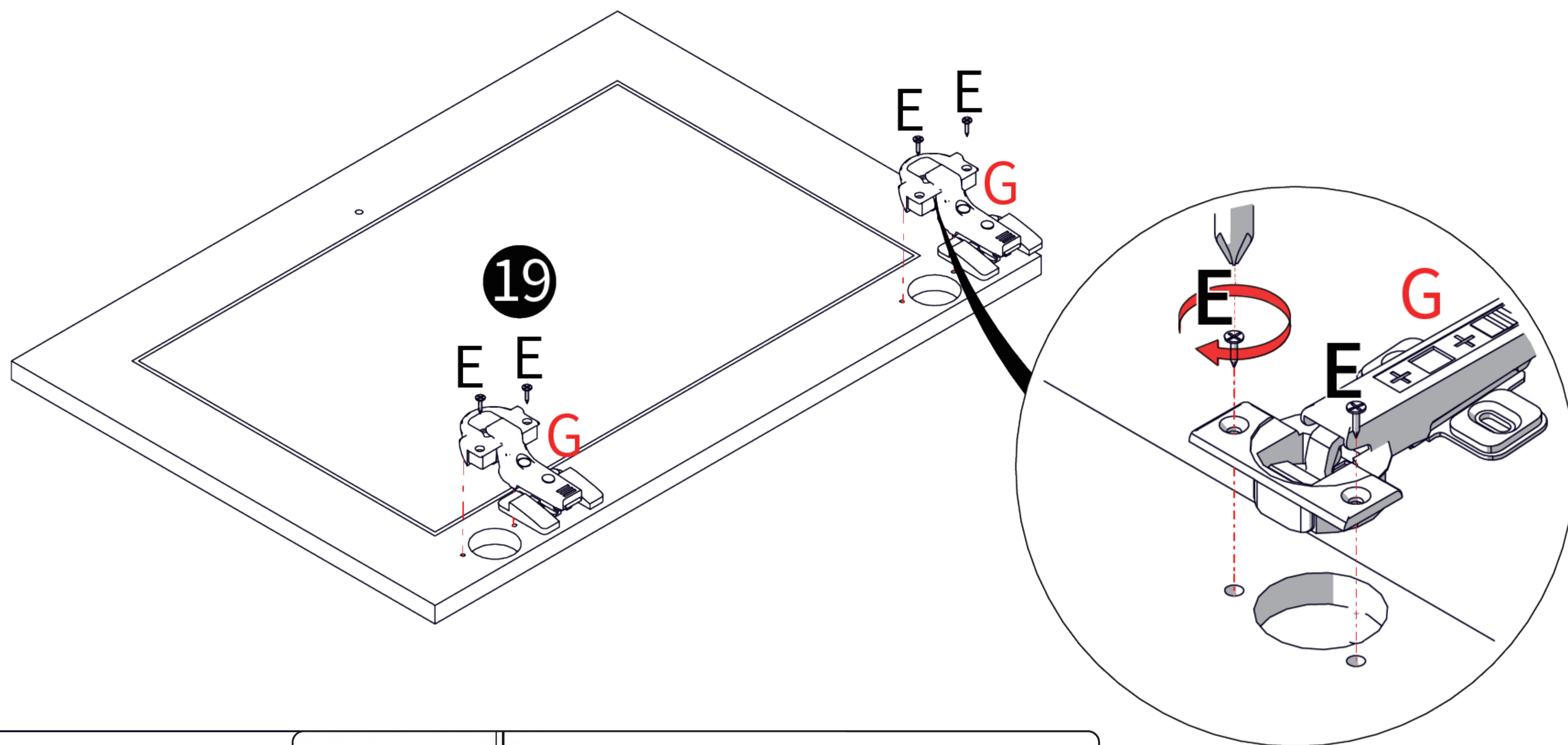
1. Pull out the Drawer Slide.



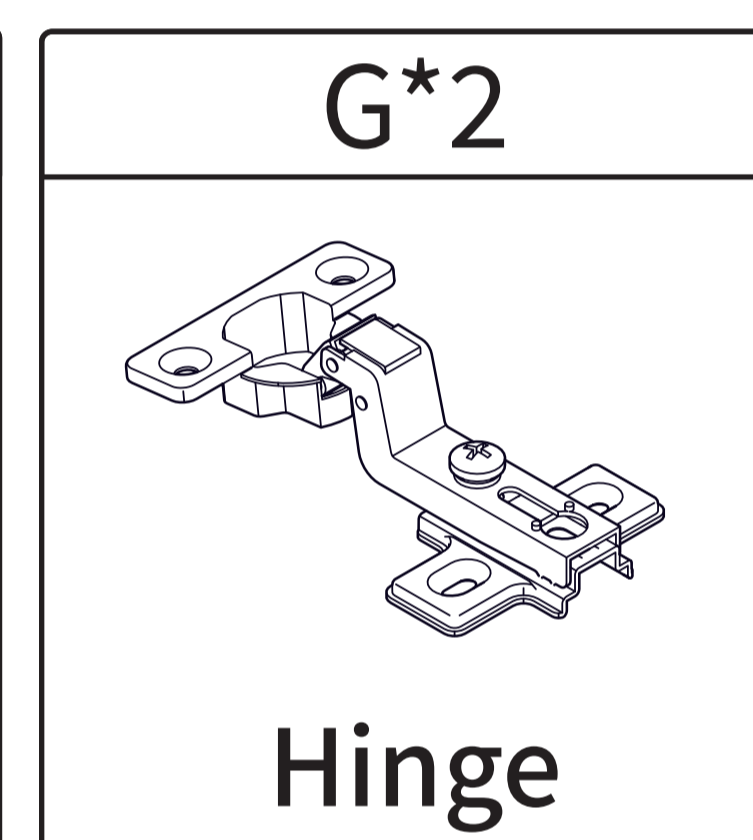
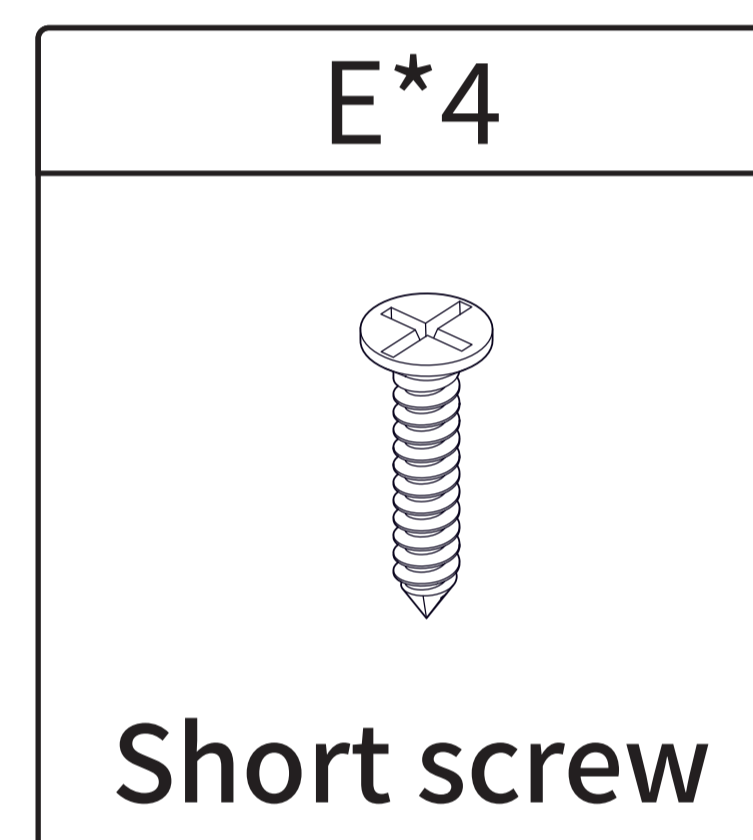
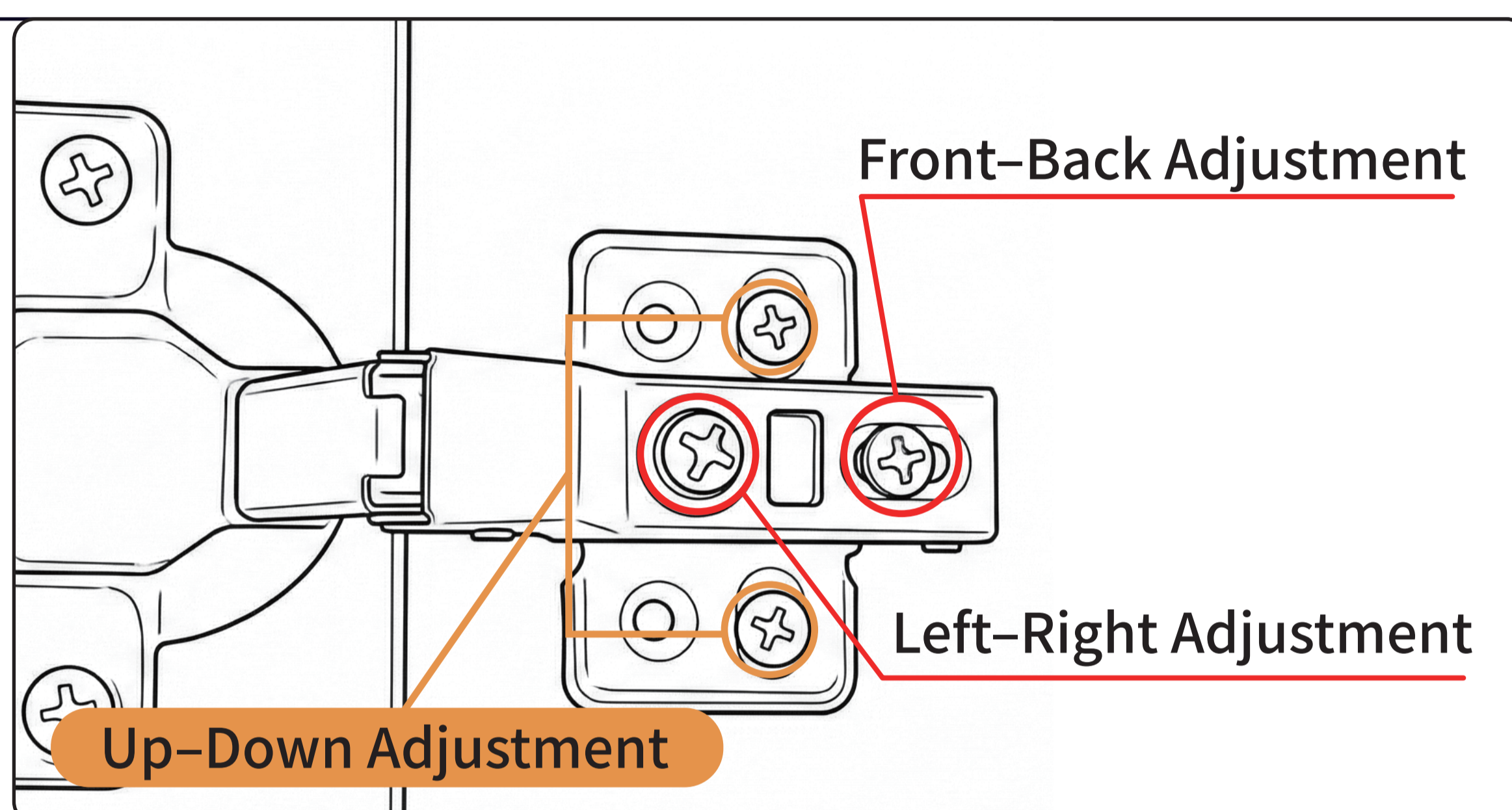
2. Align it with the Drawer Slide slots and push it straight in.

38

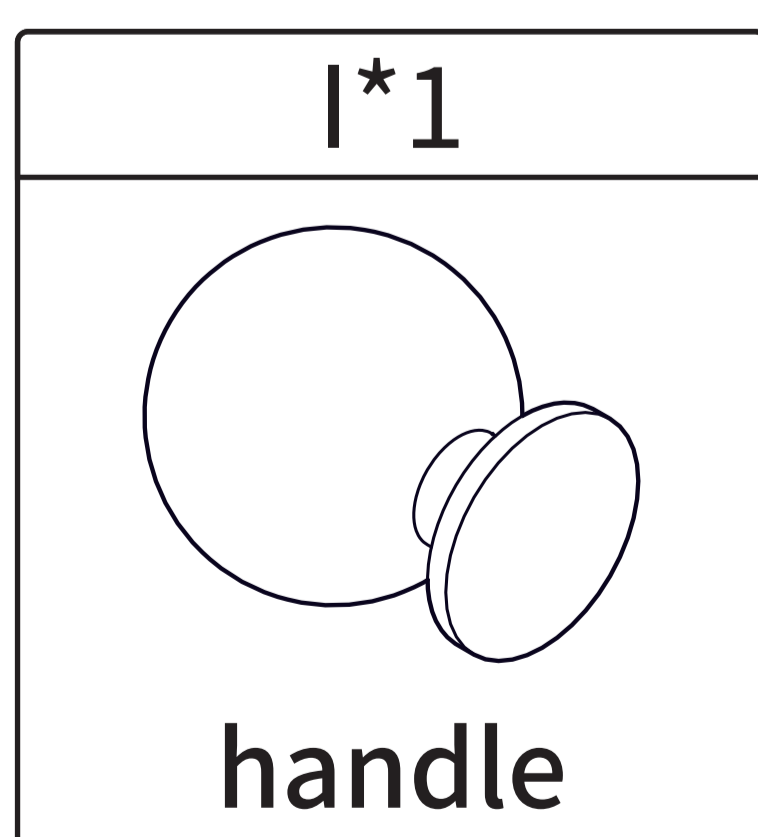
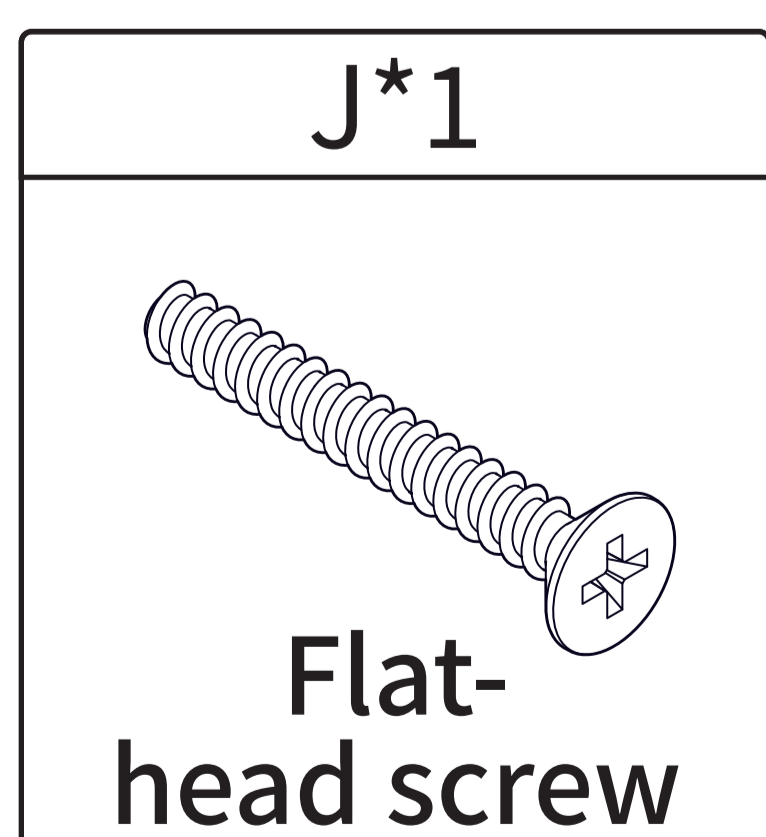
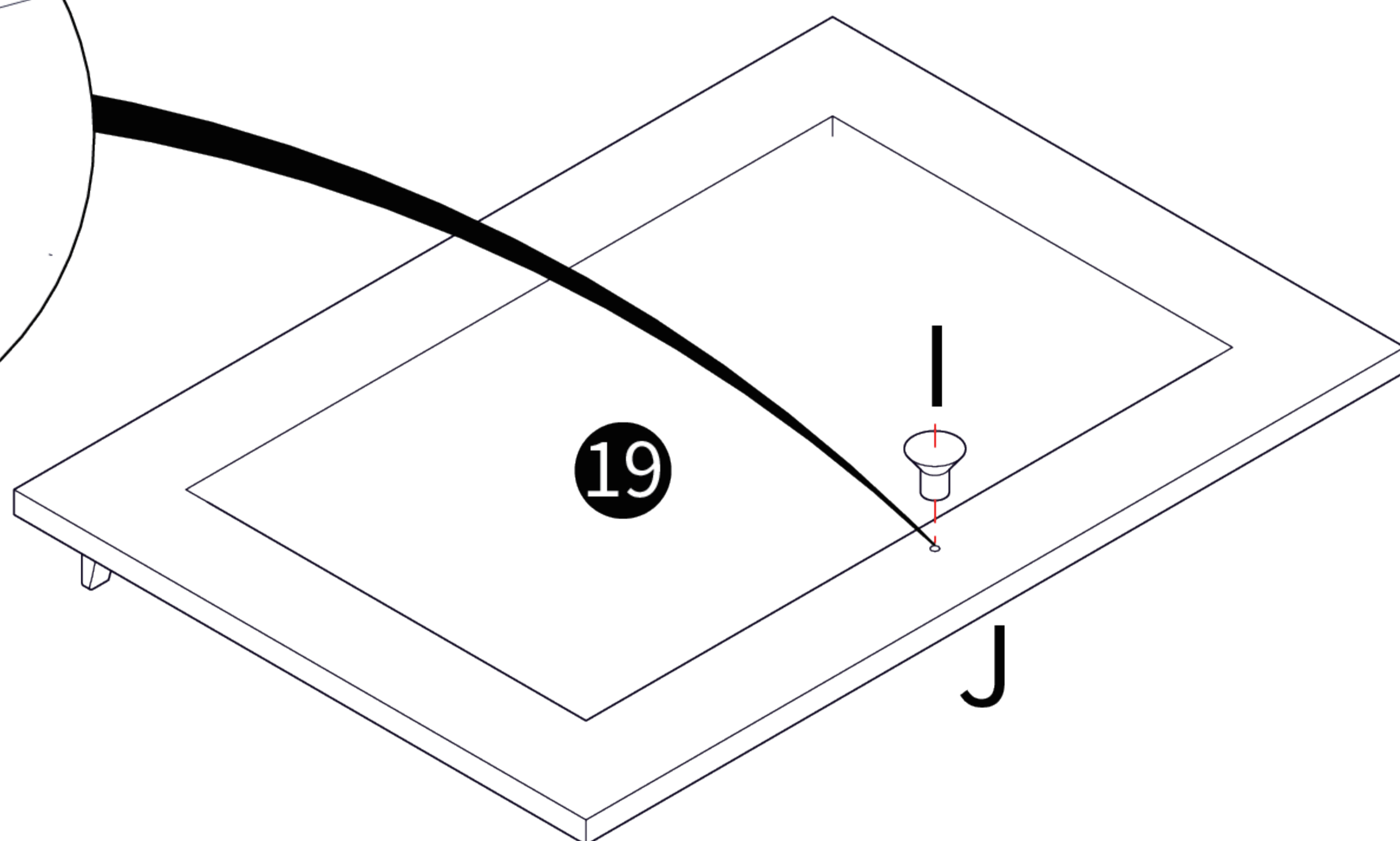
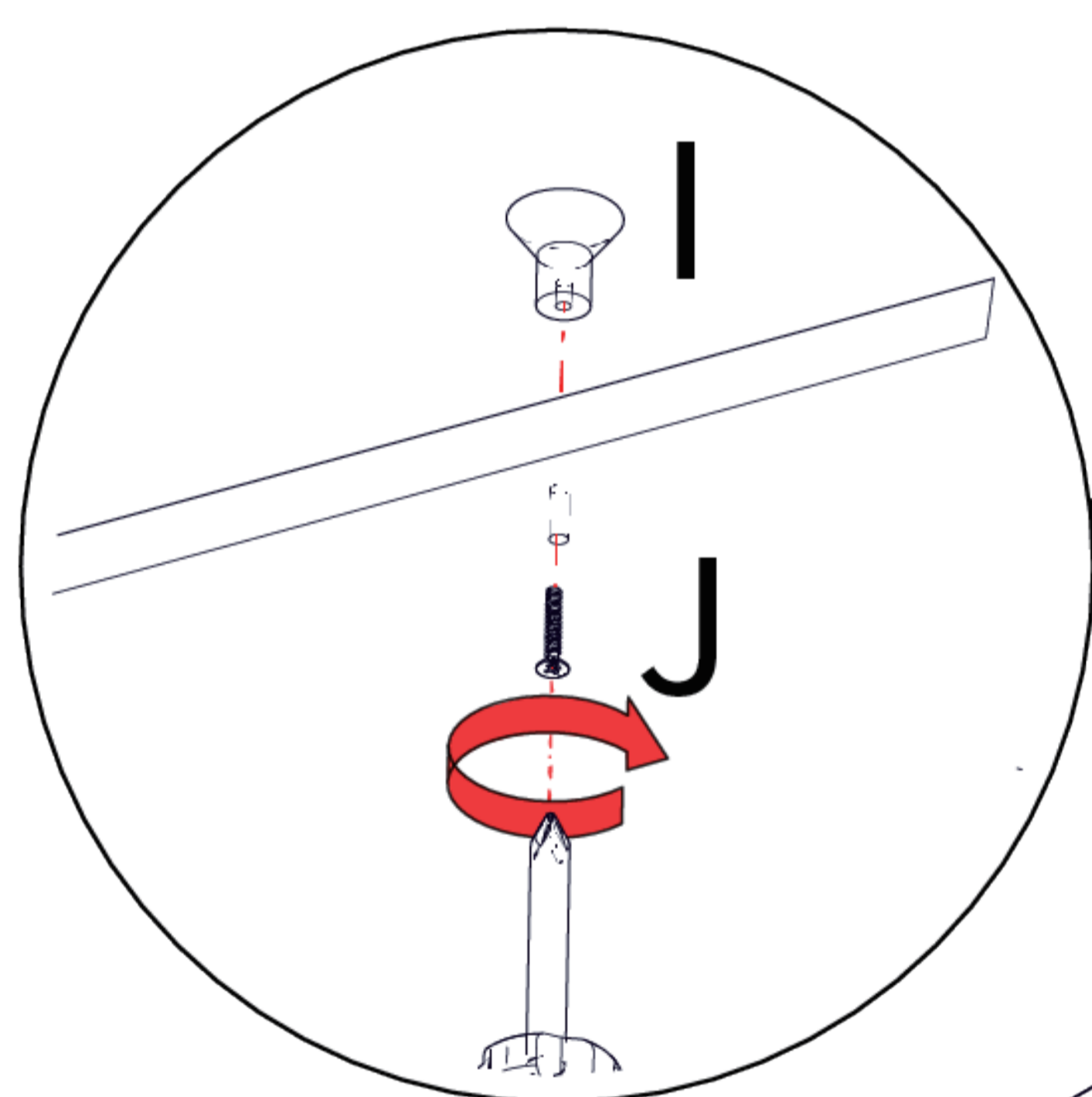
As shown in the figure, fasten the hinge (G) onto panel 19 using short screws (E).



Hinge Adjustment Method
Adjust if needed.

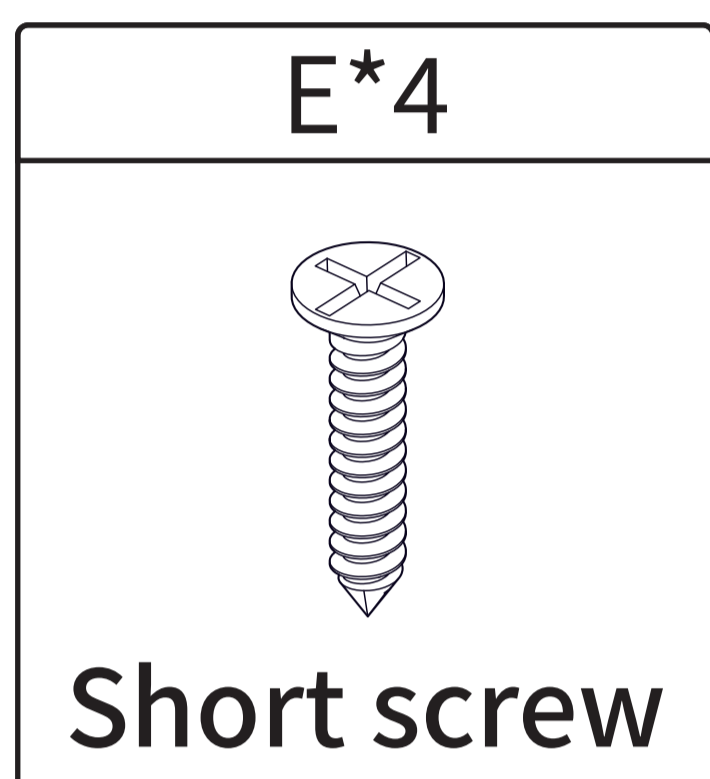
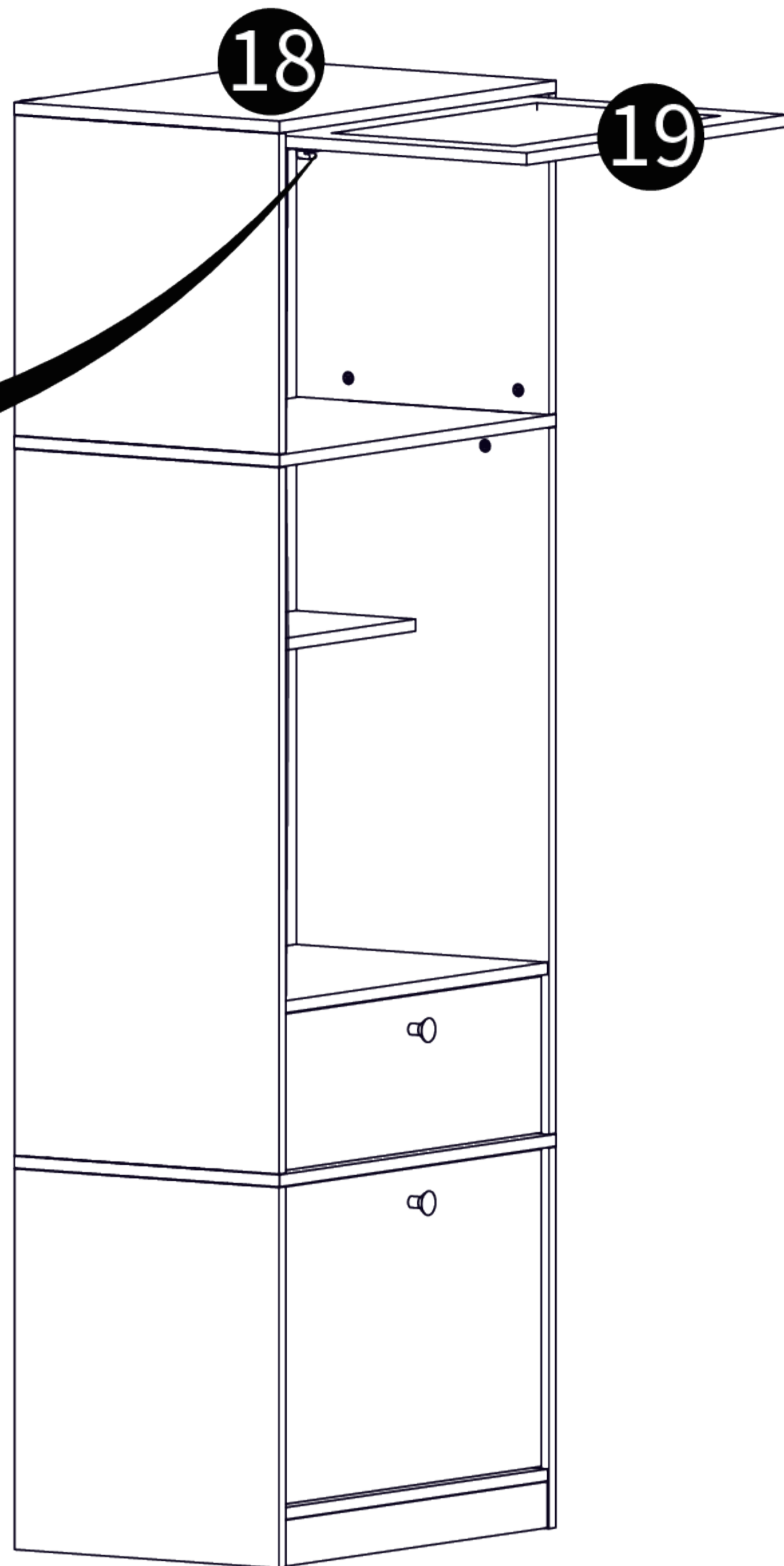
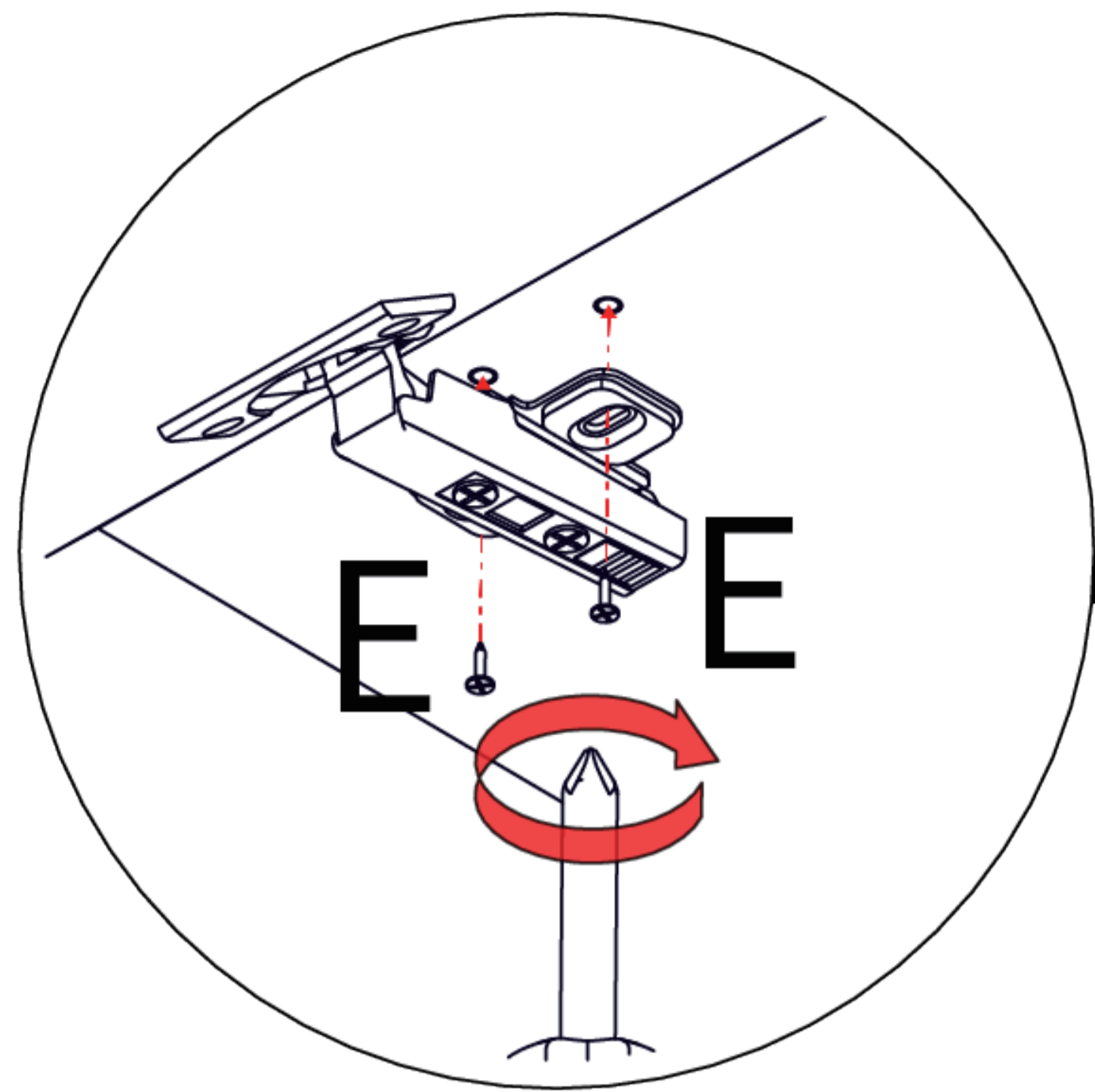


39



As shown in the figure, install the handle (I) onto panel 19 using a flat-head screw (J).

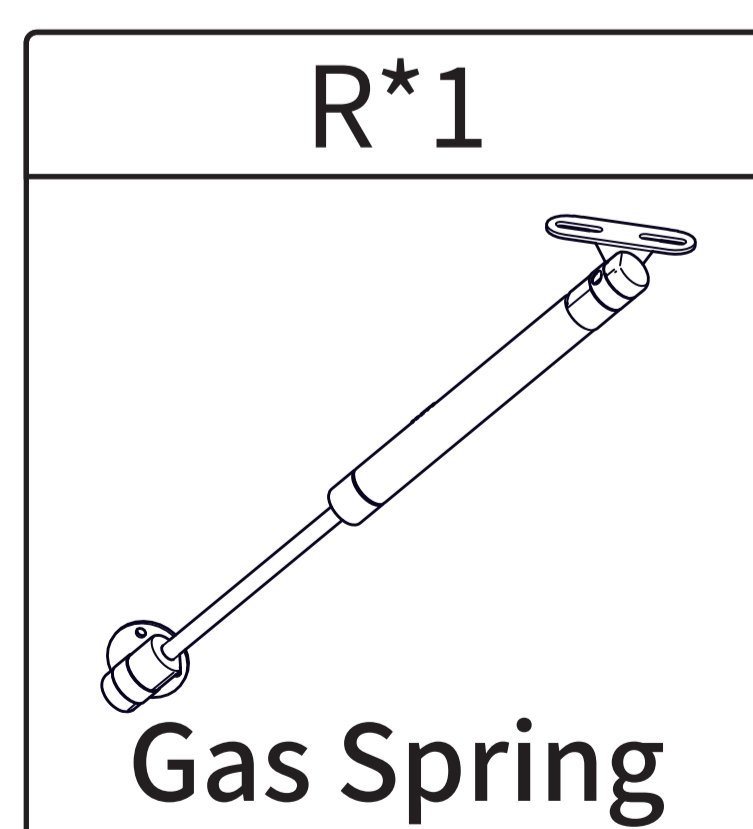
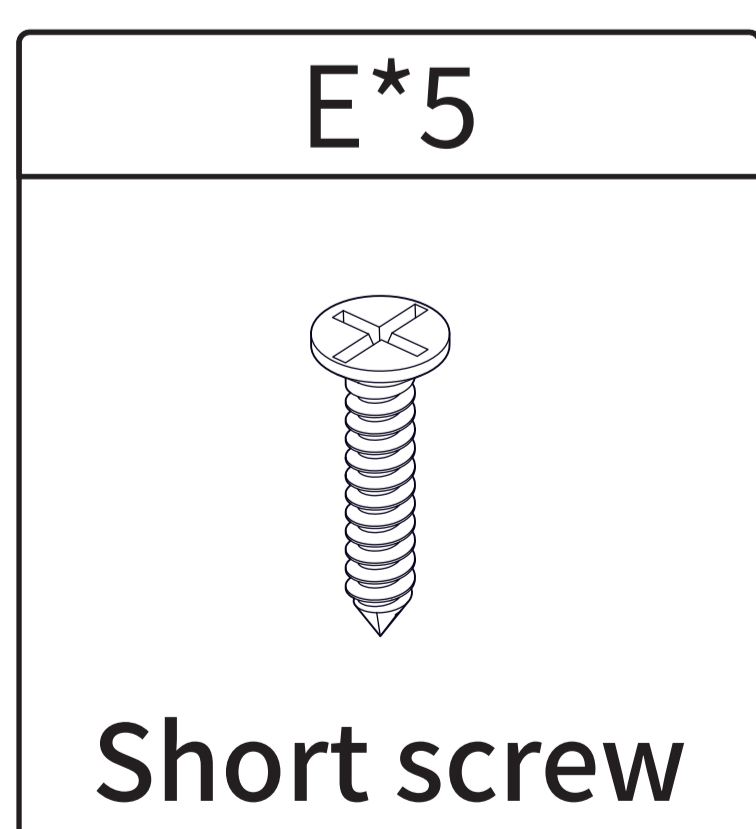
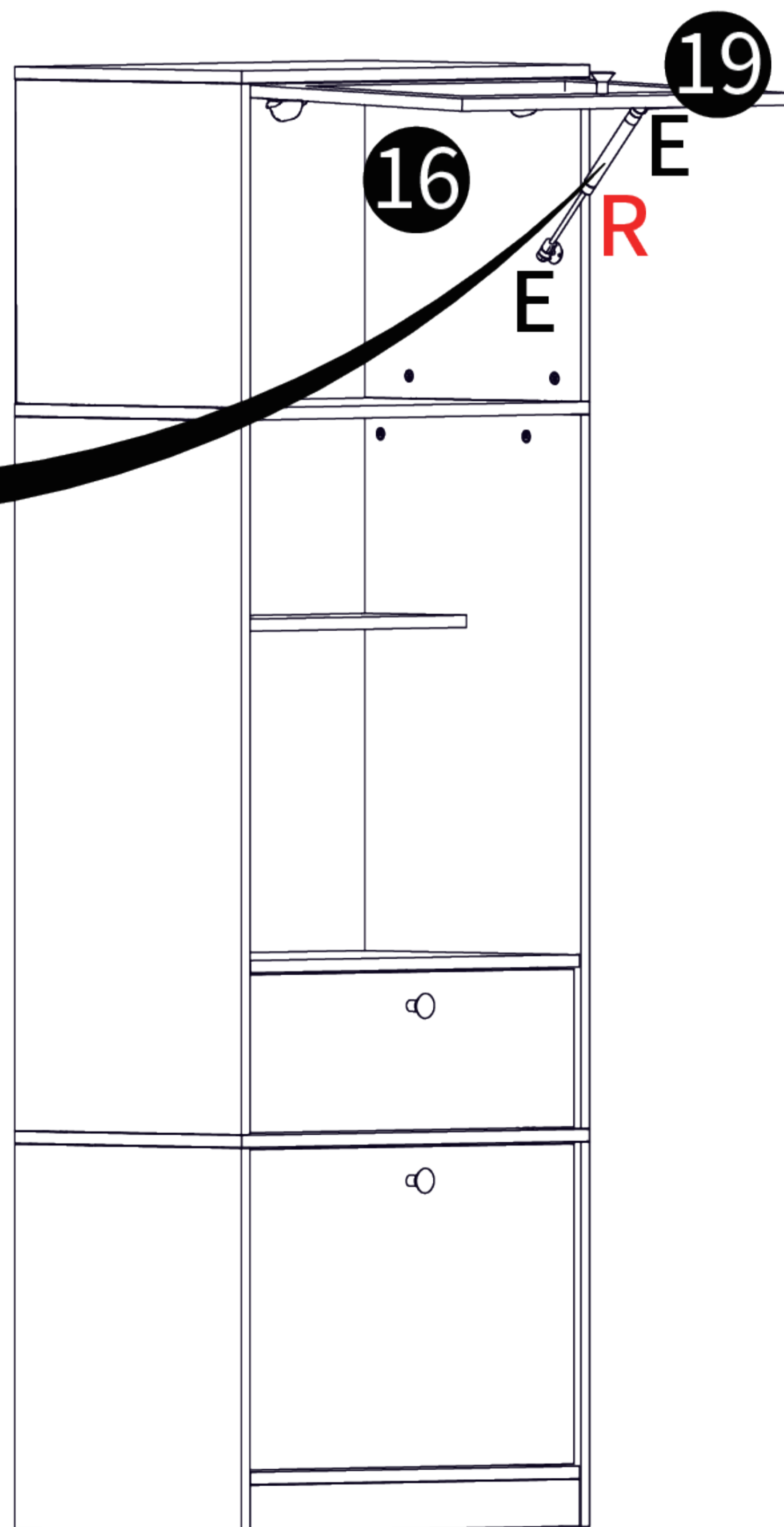
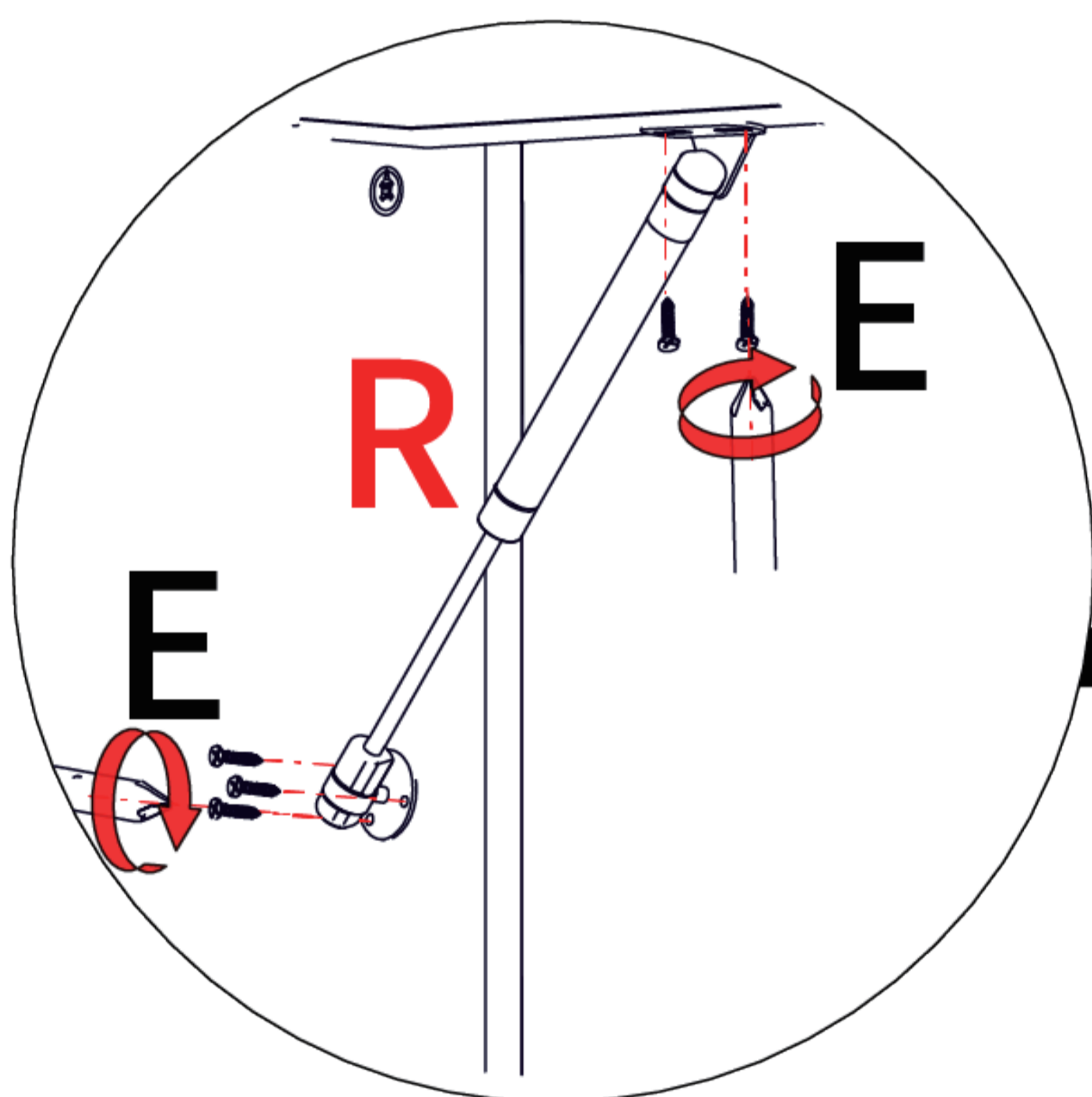
40



As shown in the figure, fasten panel 19 to panel 18 using short screws (E).

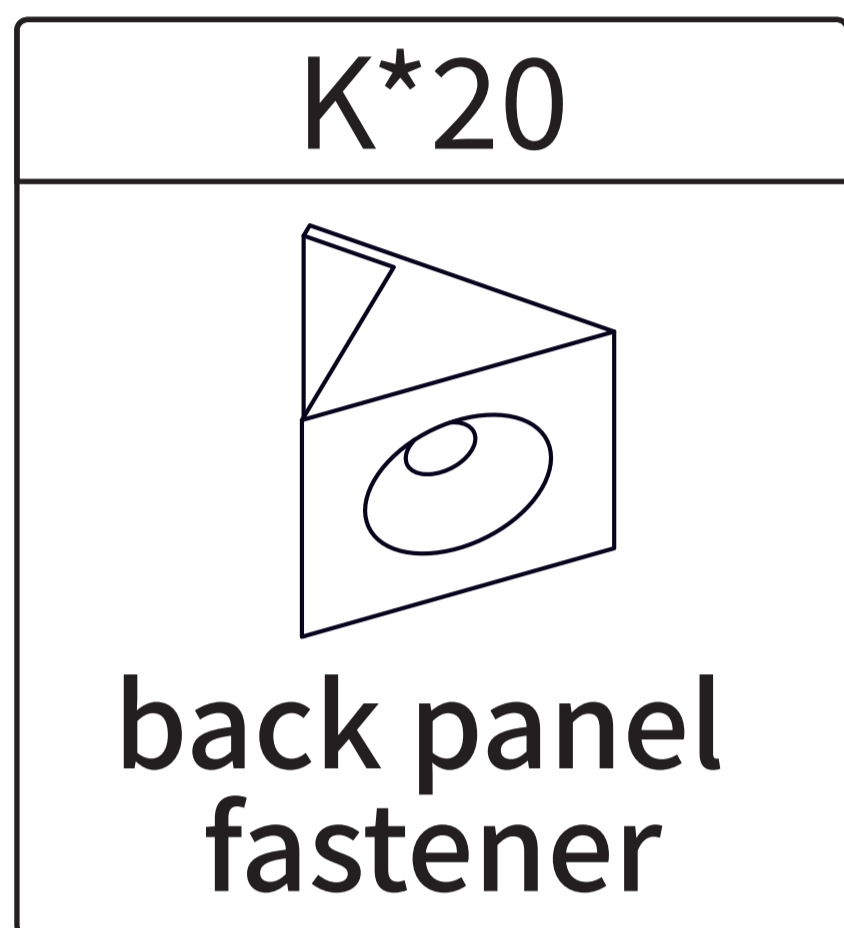
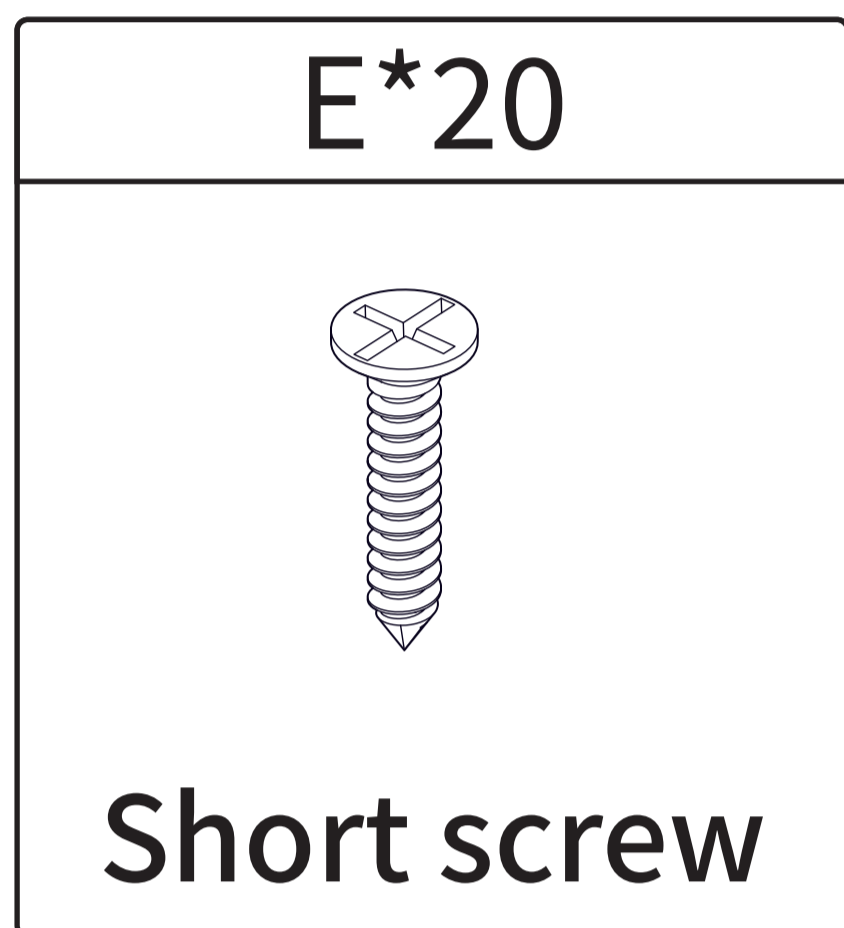
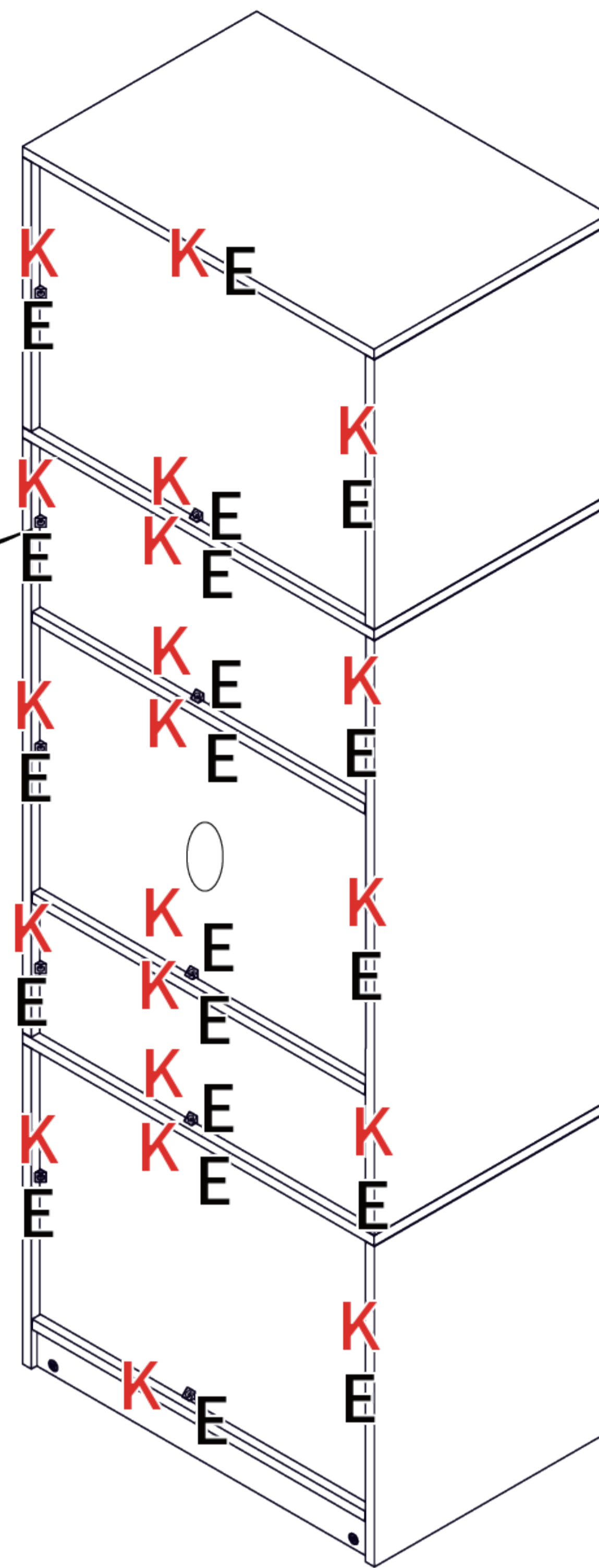
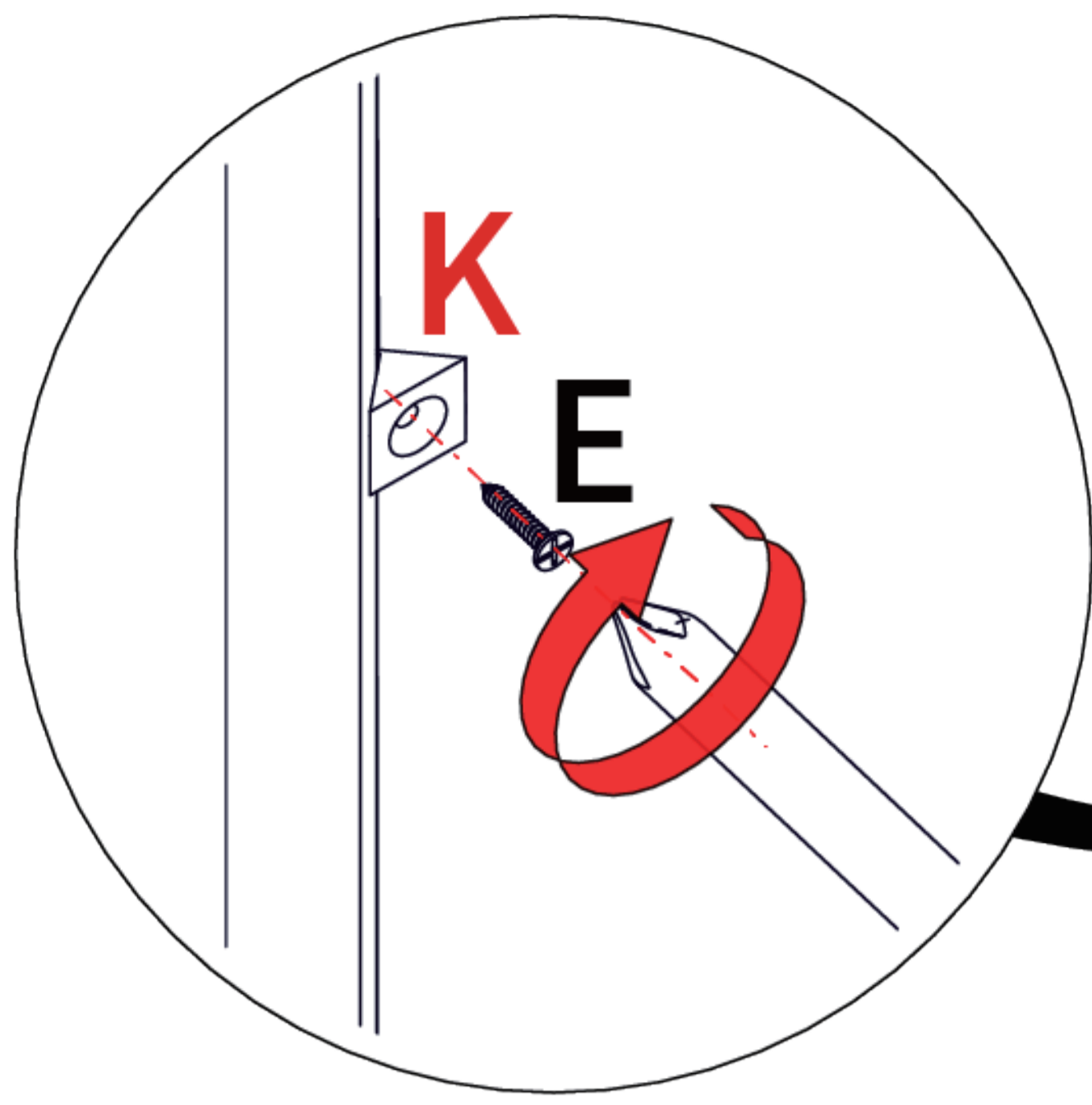
*For details, refer to Page 28: Hinge Adjustment Guide.

41



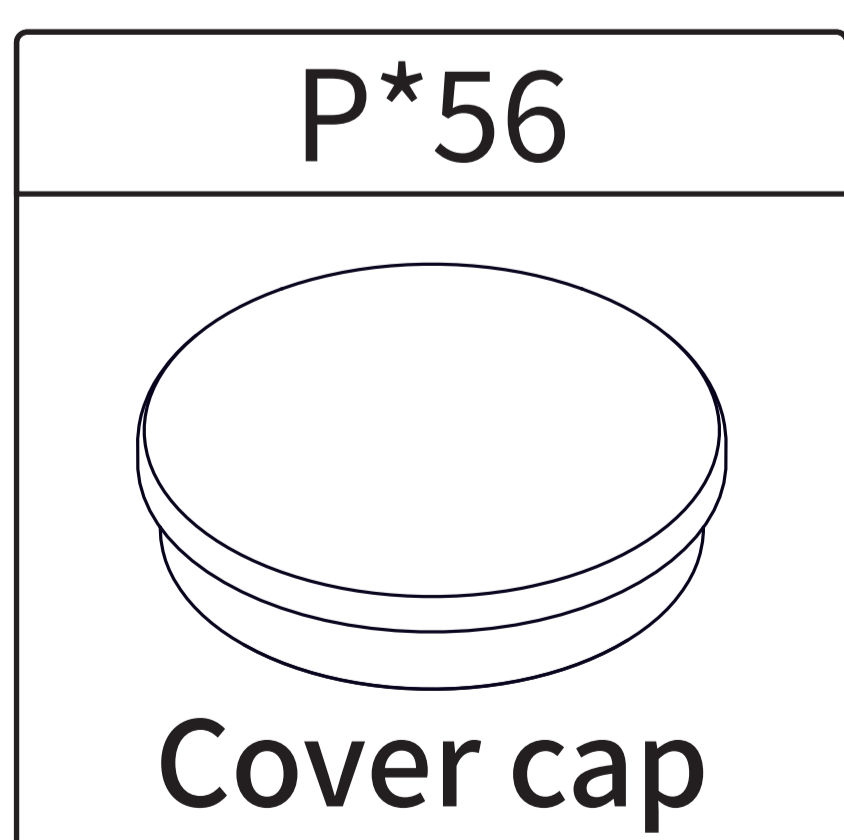
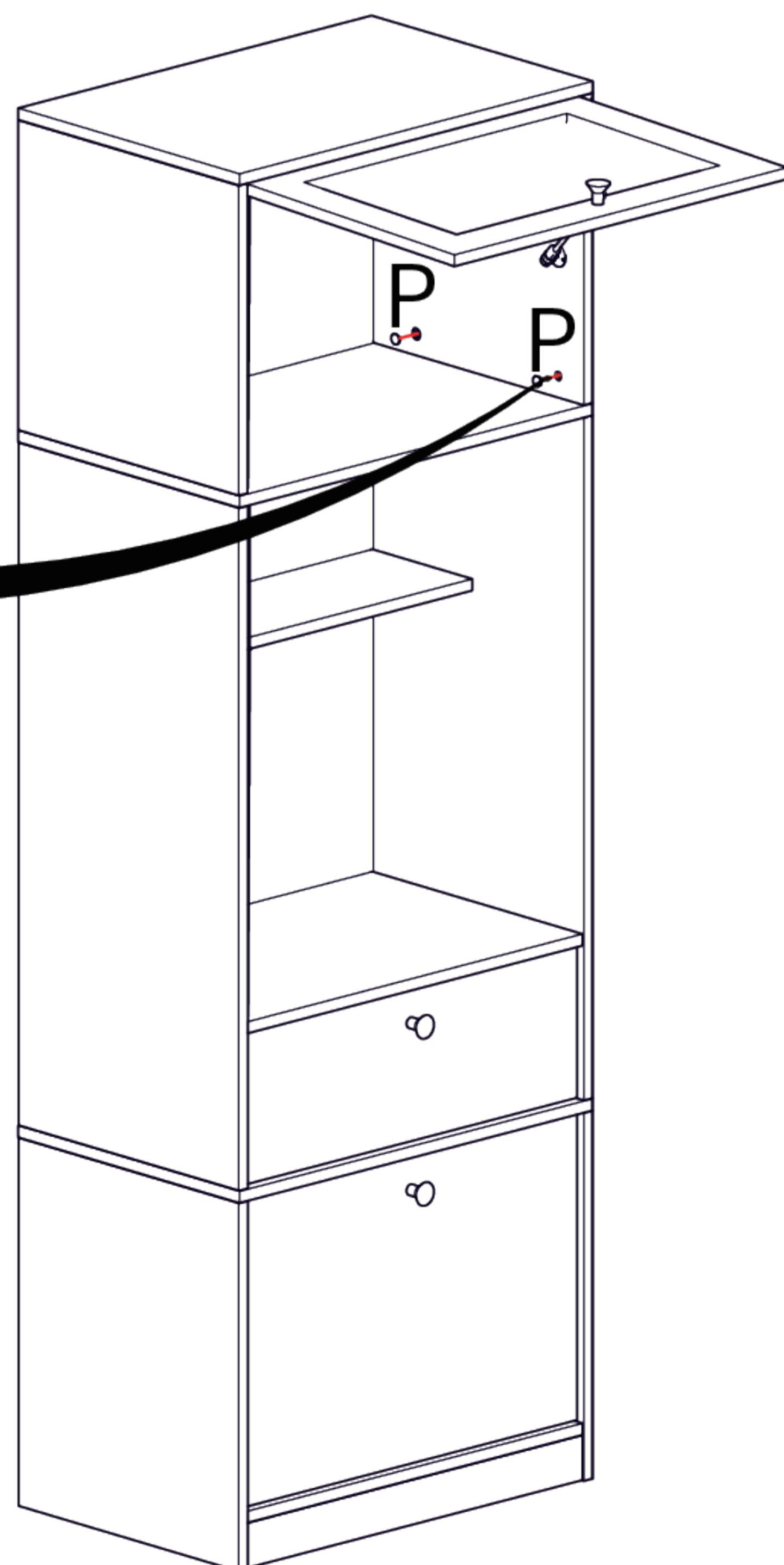
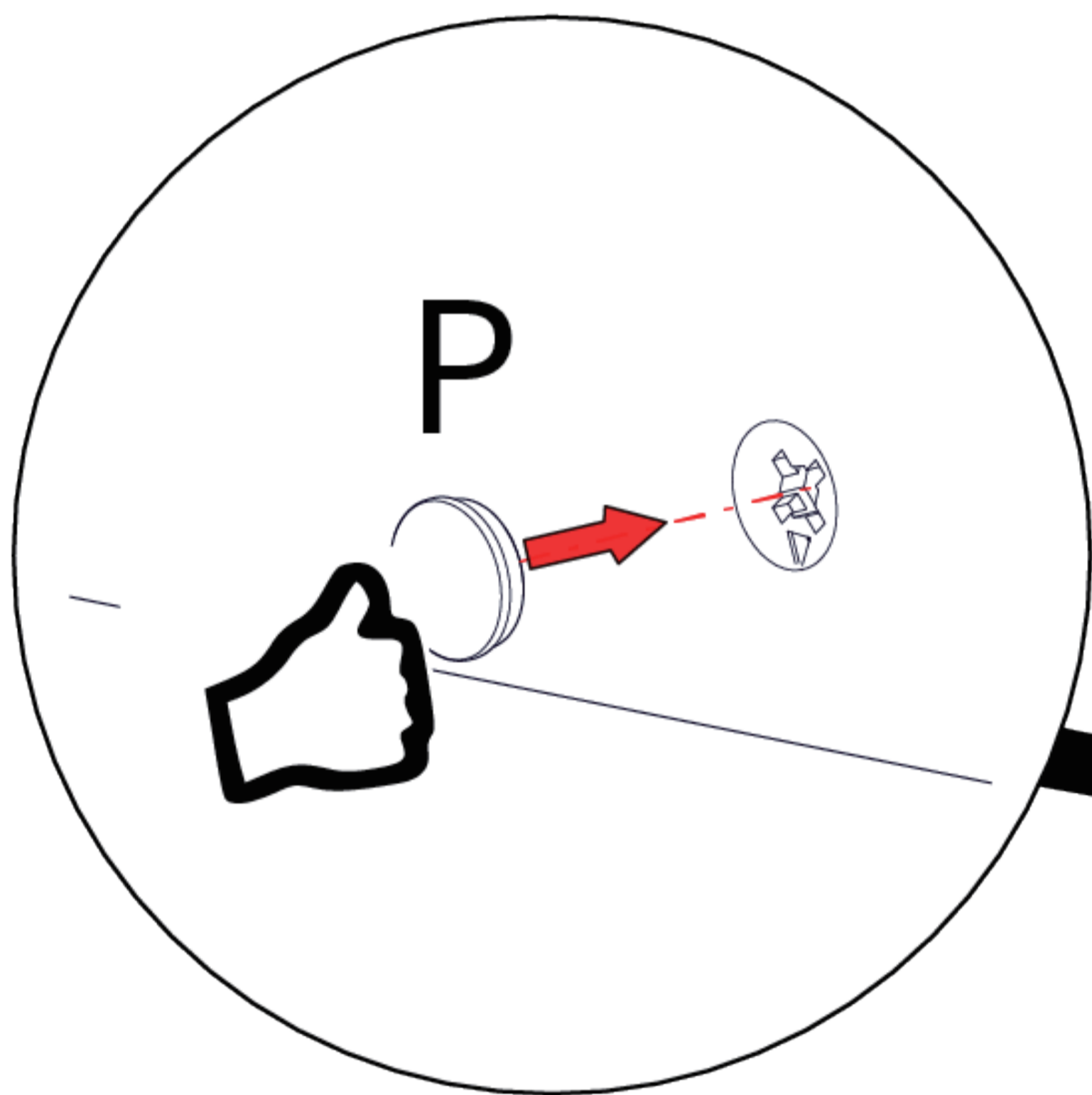
As shown in the figure, fasten the Gas Spring (R) to panels 16 and 19 using short screws (E).

42



As shown in the figure, install the back panel fasteners (K) onto back panels 5, 7, 11, 13, and 17 using short screws (E).

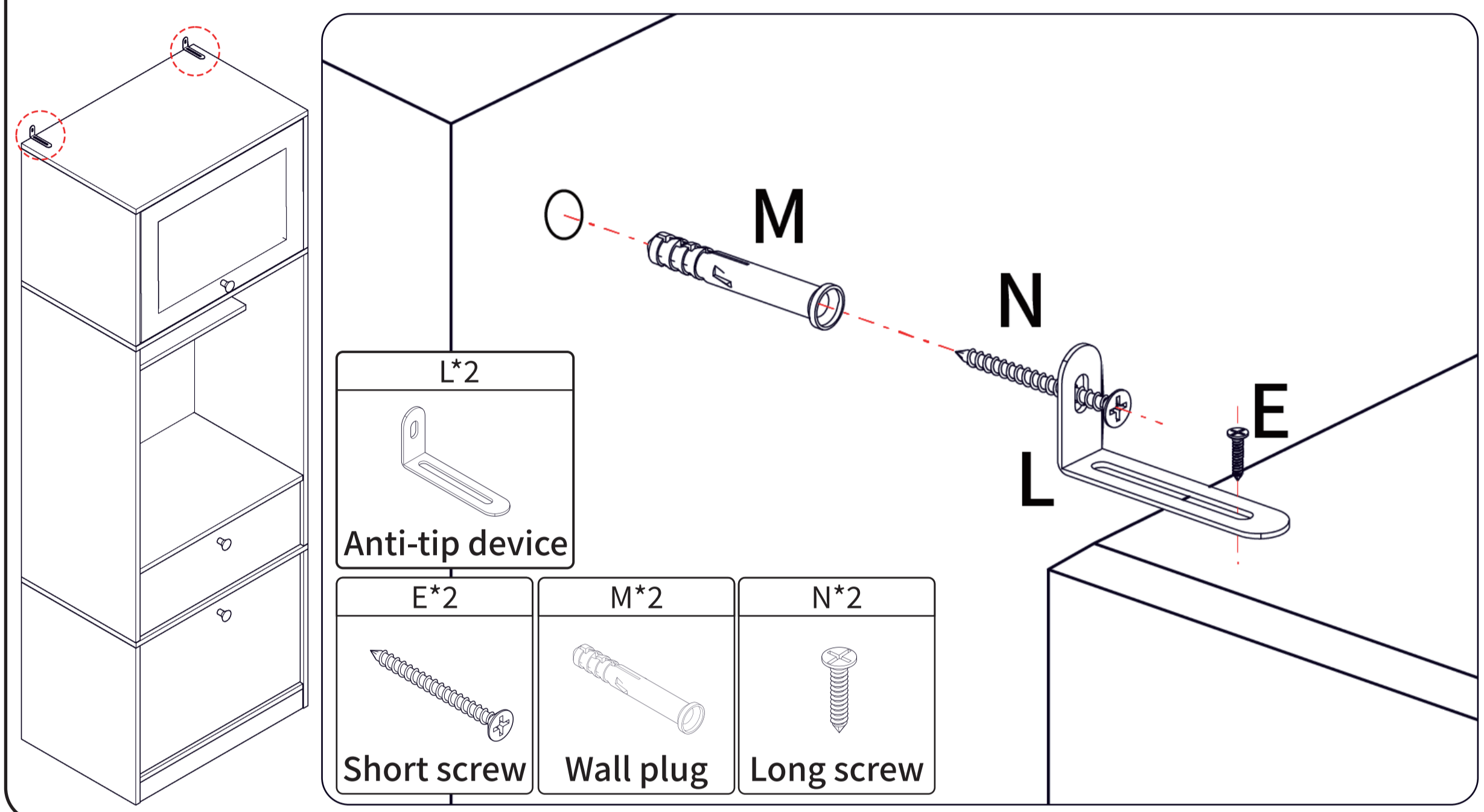
43



As shown in the figure, install the cover caps (P) onto the Cam wheels (A) in the cabinet.

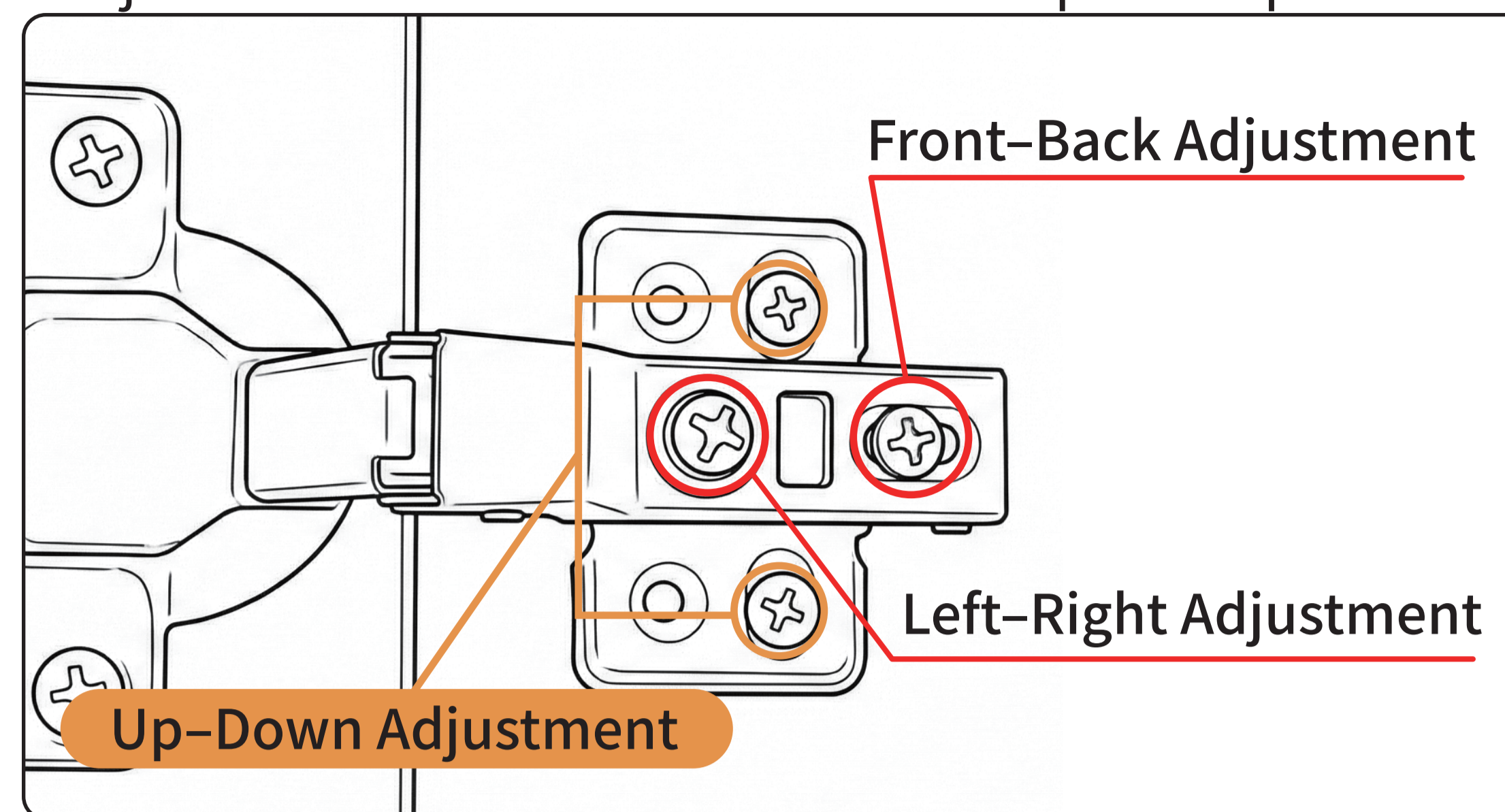
As shown in the illustration, install the anti-tip device

1. Drill holes in the wall: The hole depth should match the length of the bolt.
2. Insert the wall plug: Insert the wall plug (M) into the drilled holes, ensuring they are fully embedded in the wall.
3. Fasten the long screw: Pass the long screw (N) through the anti-tip device (L) and screw it into the wall plug (M). Do not overtighten.
4. Secure the furniture: Use the short screw (E) to fasten the bracket to the furniture panel. Do not overtighten.
5. Ensure stability: Make sure the mounting plates are firmly secured to both the wall and the furniture.



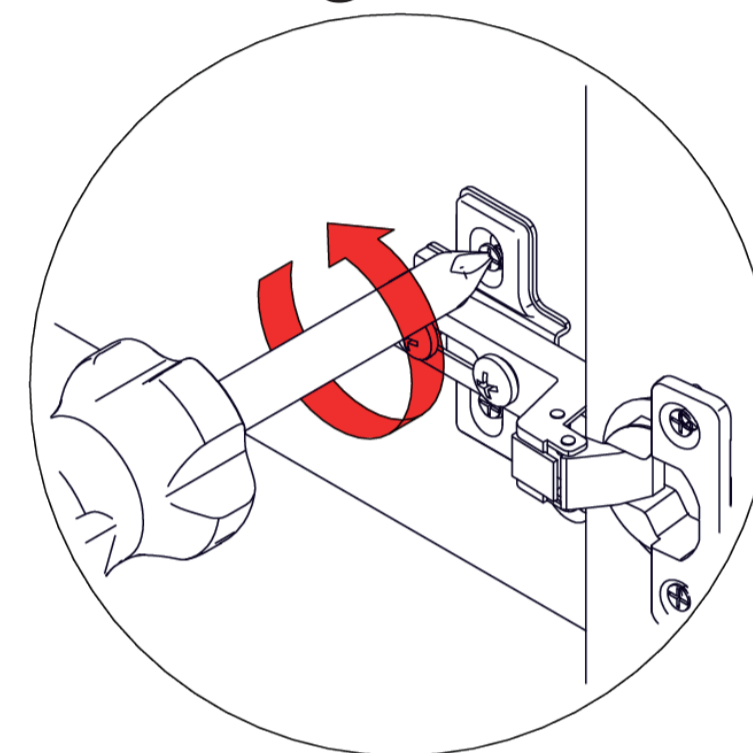
Hinge Adjustment Method

If any misalignment occurs after installation, adjust the screws to achieve the optimal position.

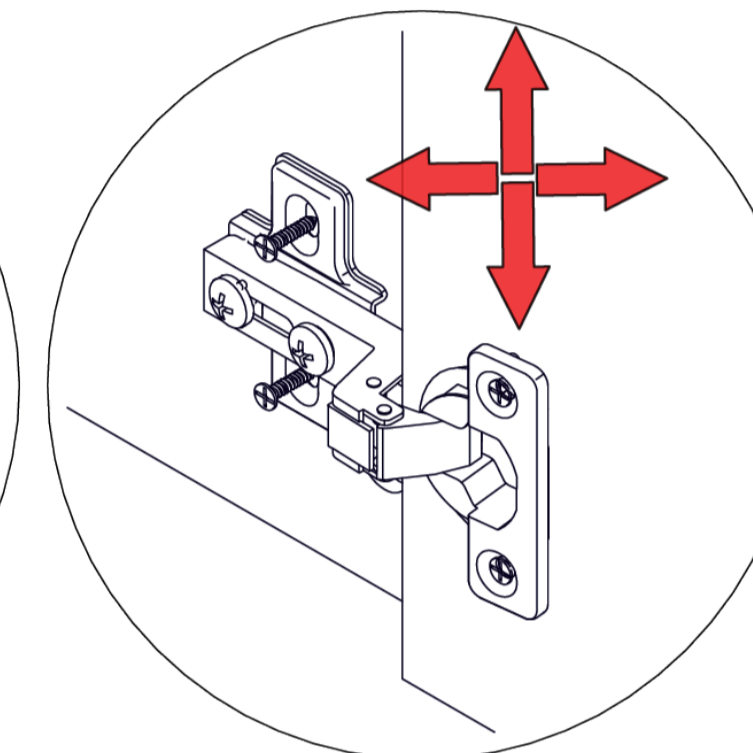


You can simply adjust the screws to change the overlay of the door panel relative to the side panel.

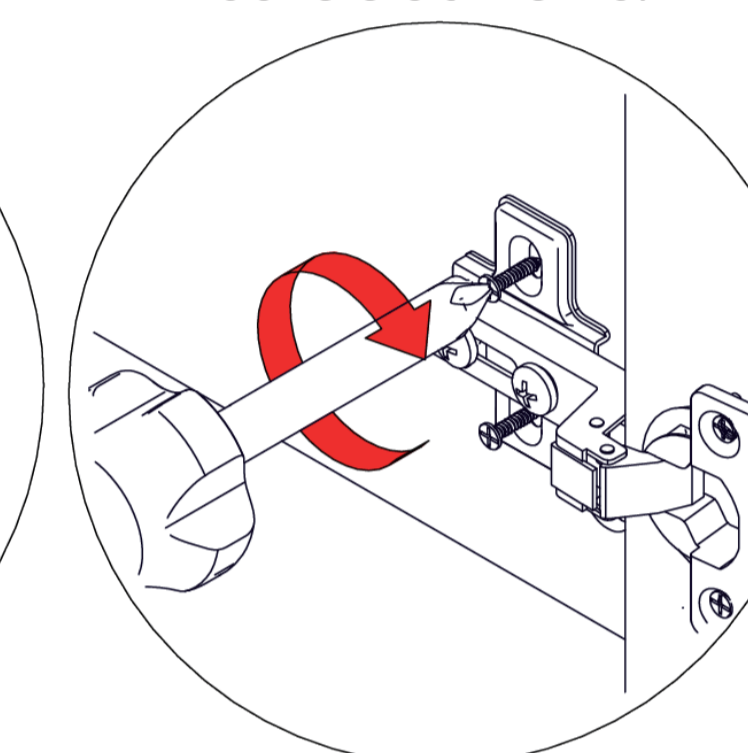
1. Loosen the fixing screw.



2. Adjust the corresponding screw position as needed.

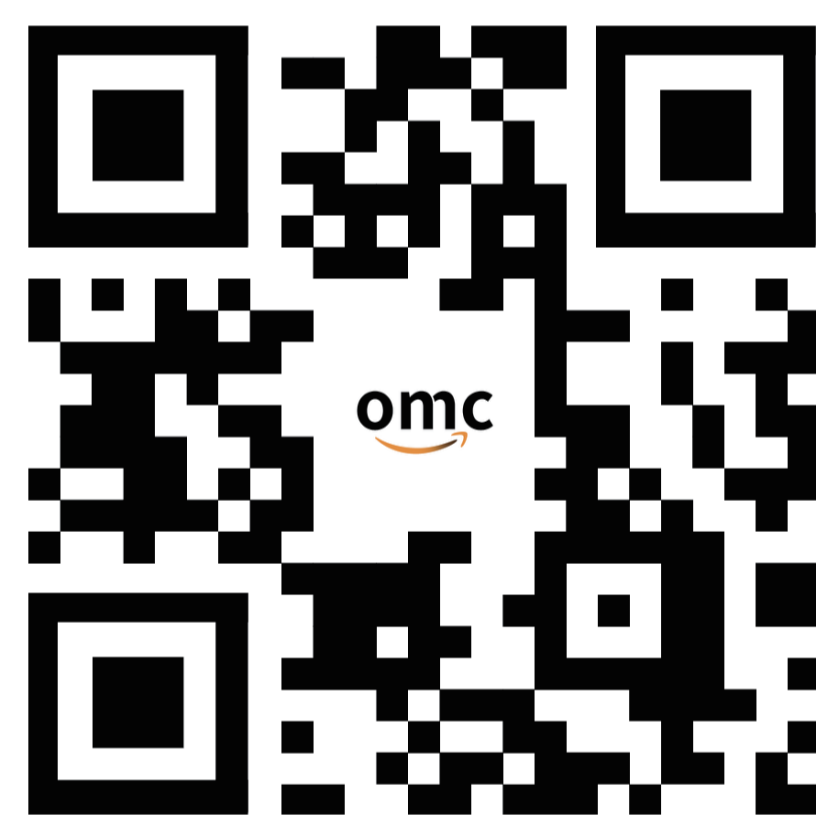


3. After adjustment, tighten the short screw to secure it.



After-sales service

⚠ If you have any questions after receiving the product, please scan the QR code immediately to contact us so we can help you resolve the issue.

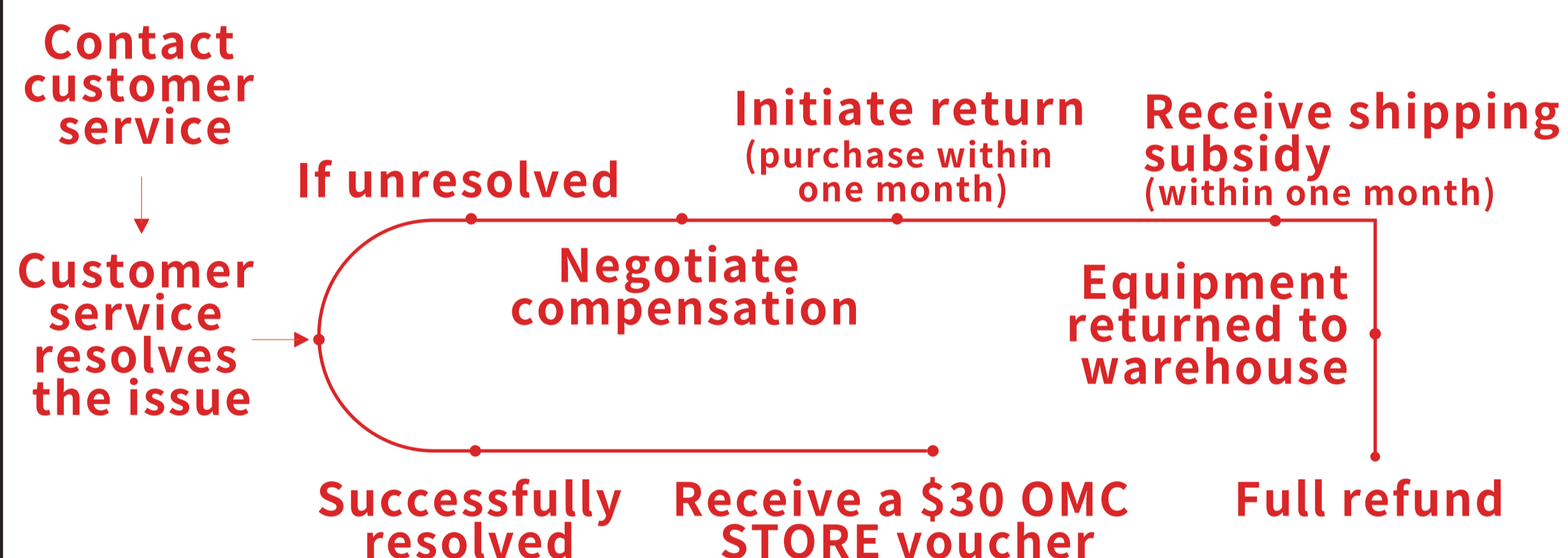


After-sales QR code

✉ Email: cs-omc@outlook.com

📞 WhatsApp: +86 18688756013

Return Guidelines

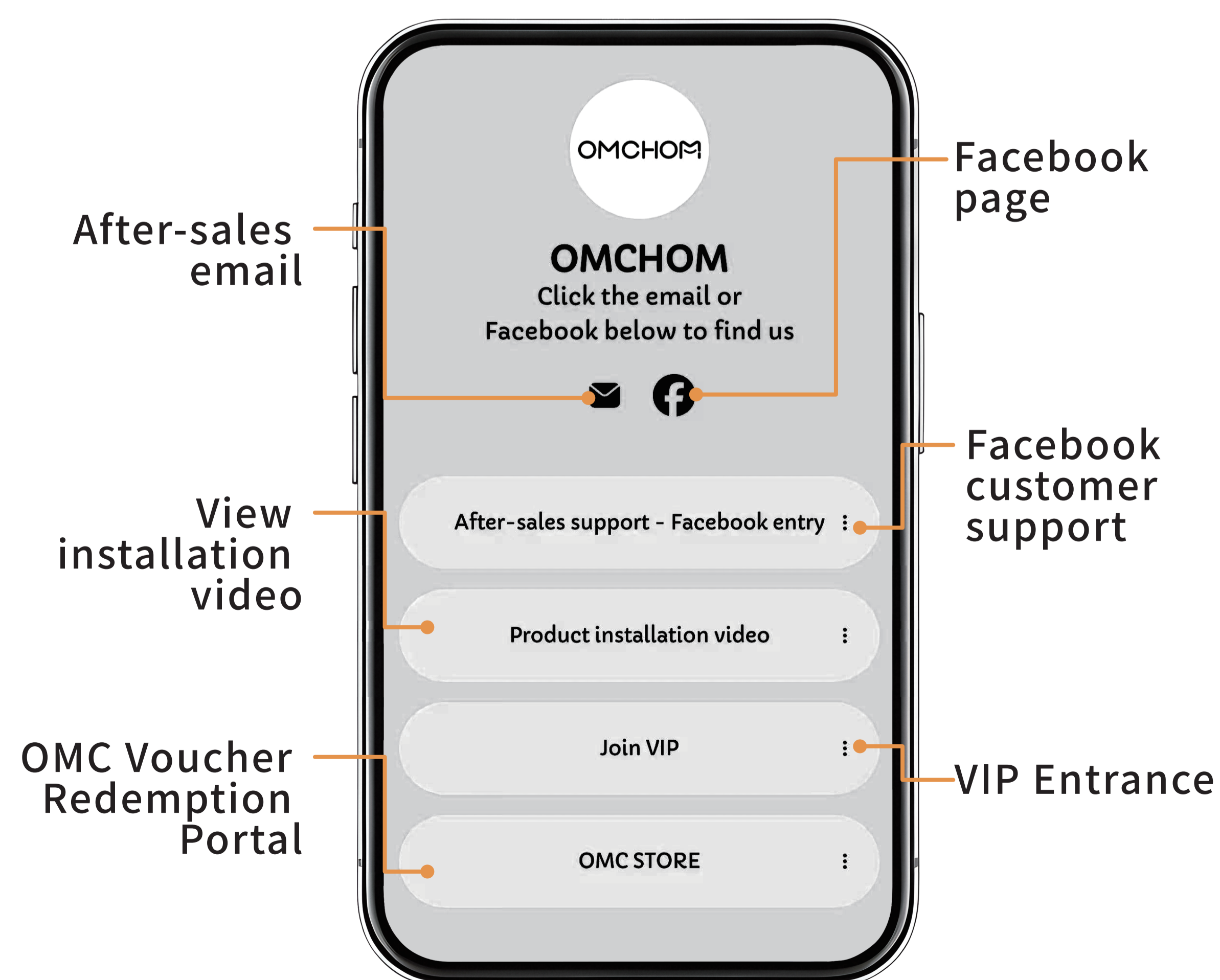


Return and Warranty Policy

1. If any parts are damaged or missing during installation, please contact us for replacement.
2. If you encounter any product problems during use, please contact us immediately.

Important Reminders:

1. Please be sure to keep the original product packaging for at least 30 days.
2. If you need to return the item, please disassemble all the accessories completely and send us photos for confirmation.
3. After taking photos, please pack all accessories completely and return them. You must contact us before returning the items.



omc




Global Operator for Brand Expansion



OMCHOM

After-sales QR code

 Email: cs-omc@outlook.com

 WhatsApp: +86 18688756013