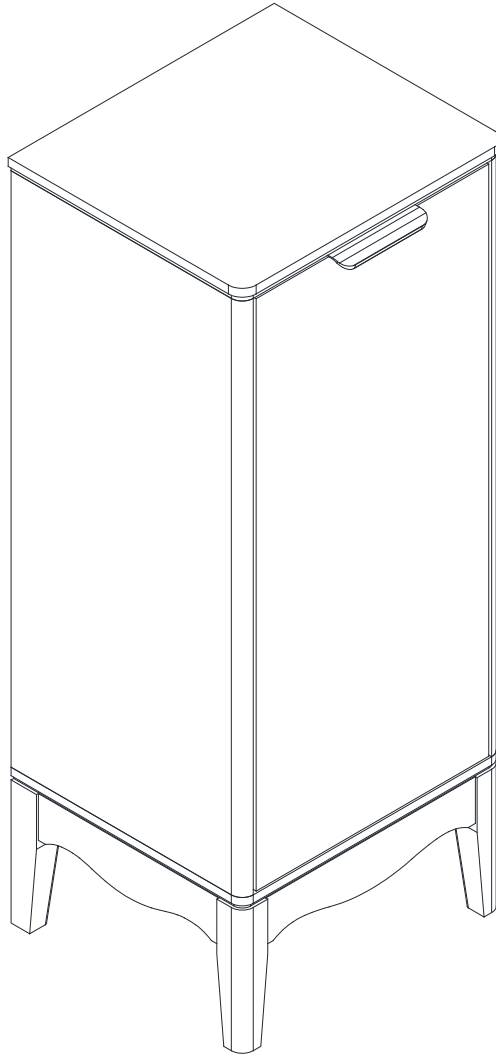
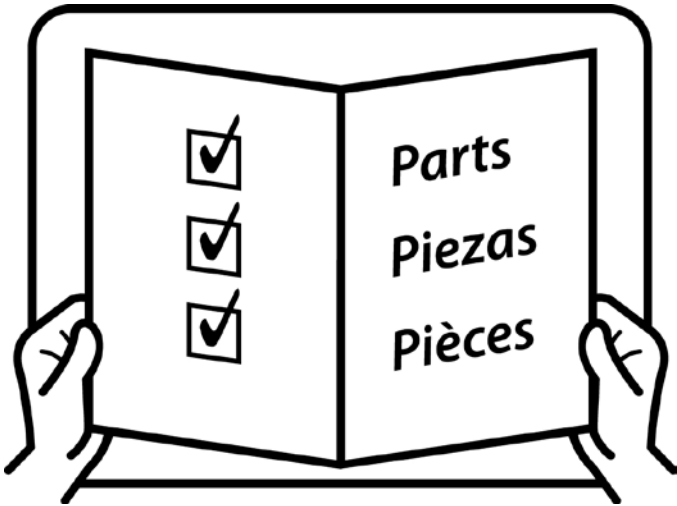
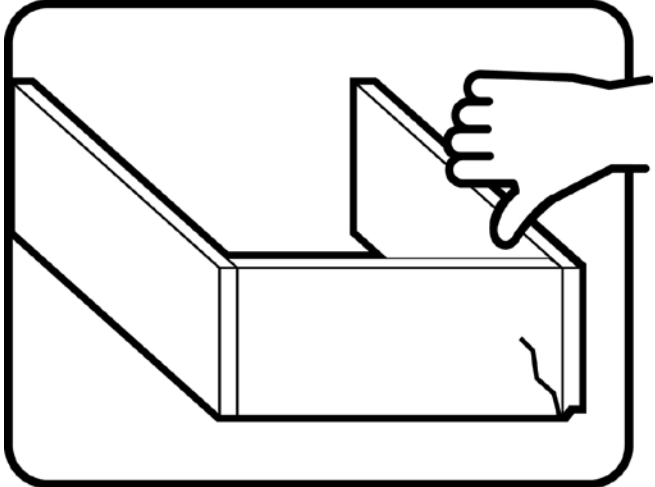
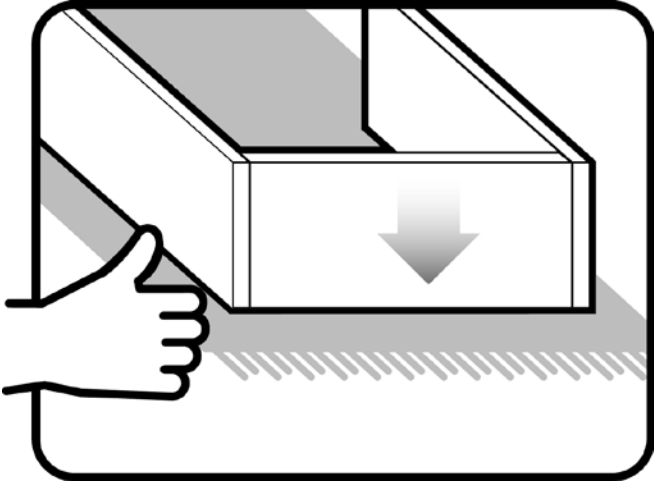
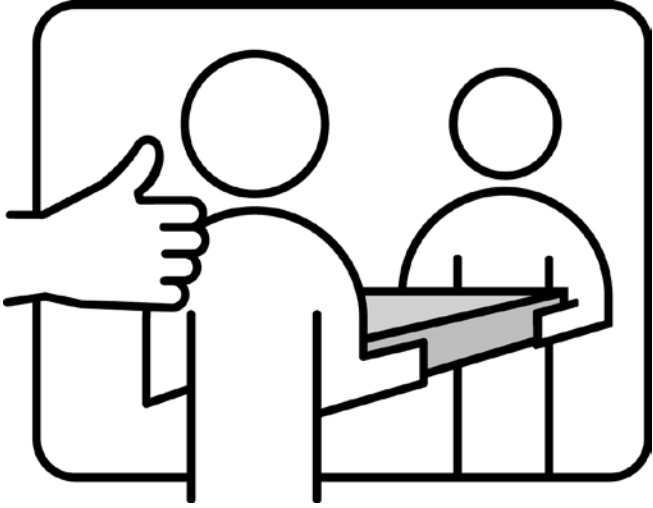
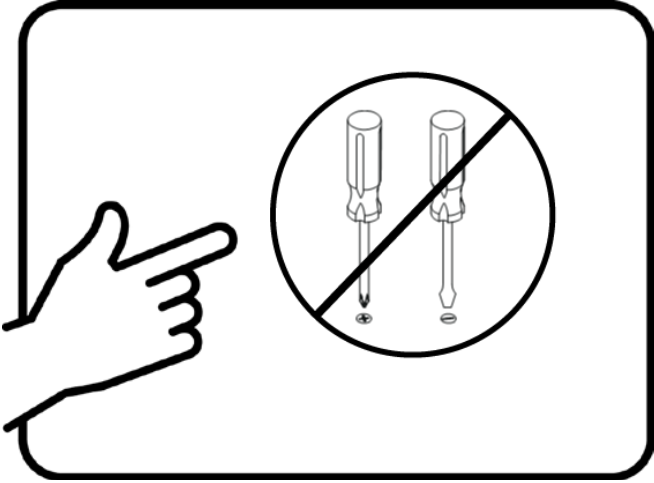


# Assembly | Asambla | Assemblage

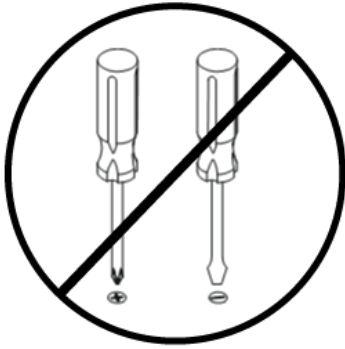


# Assembly | Asamblea | Assemblage



# Assembly | Asamblea | Assemblage

Techniques | Técnicas | Techniques



Care | Cuidado | Entretien



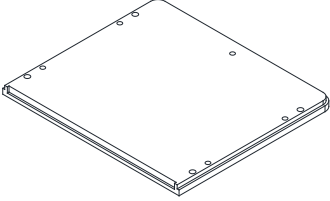
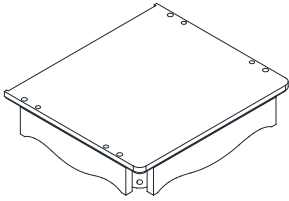
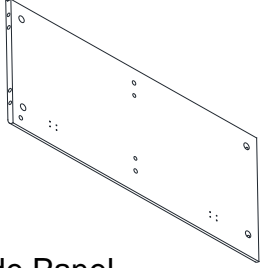
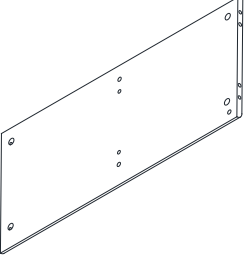
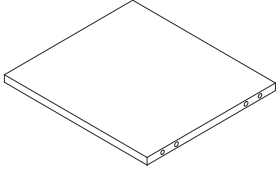
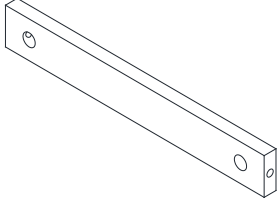
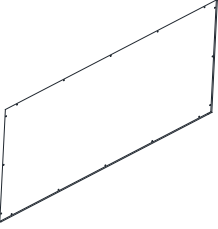


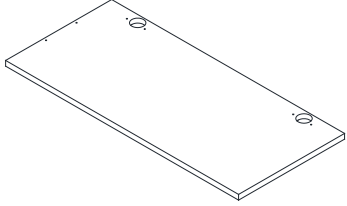
Safety | Seguridad | Sécurité



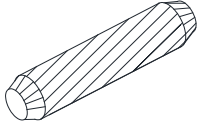
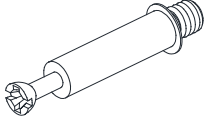
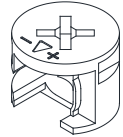
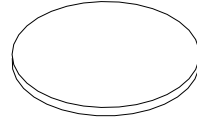
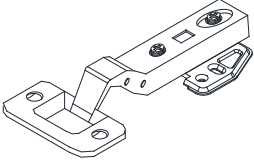
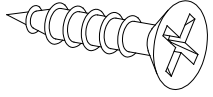
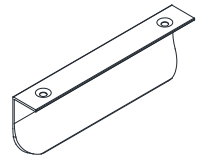
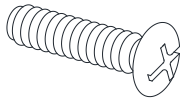
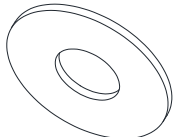
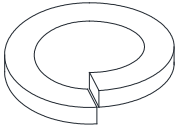
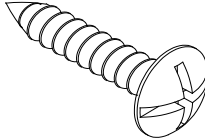
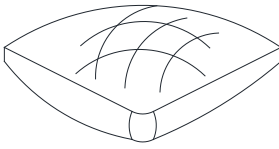
Note! | ¡Nota! | Remarque!



# Assembly | Asambla | Assemblage

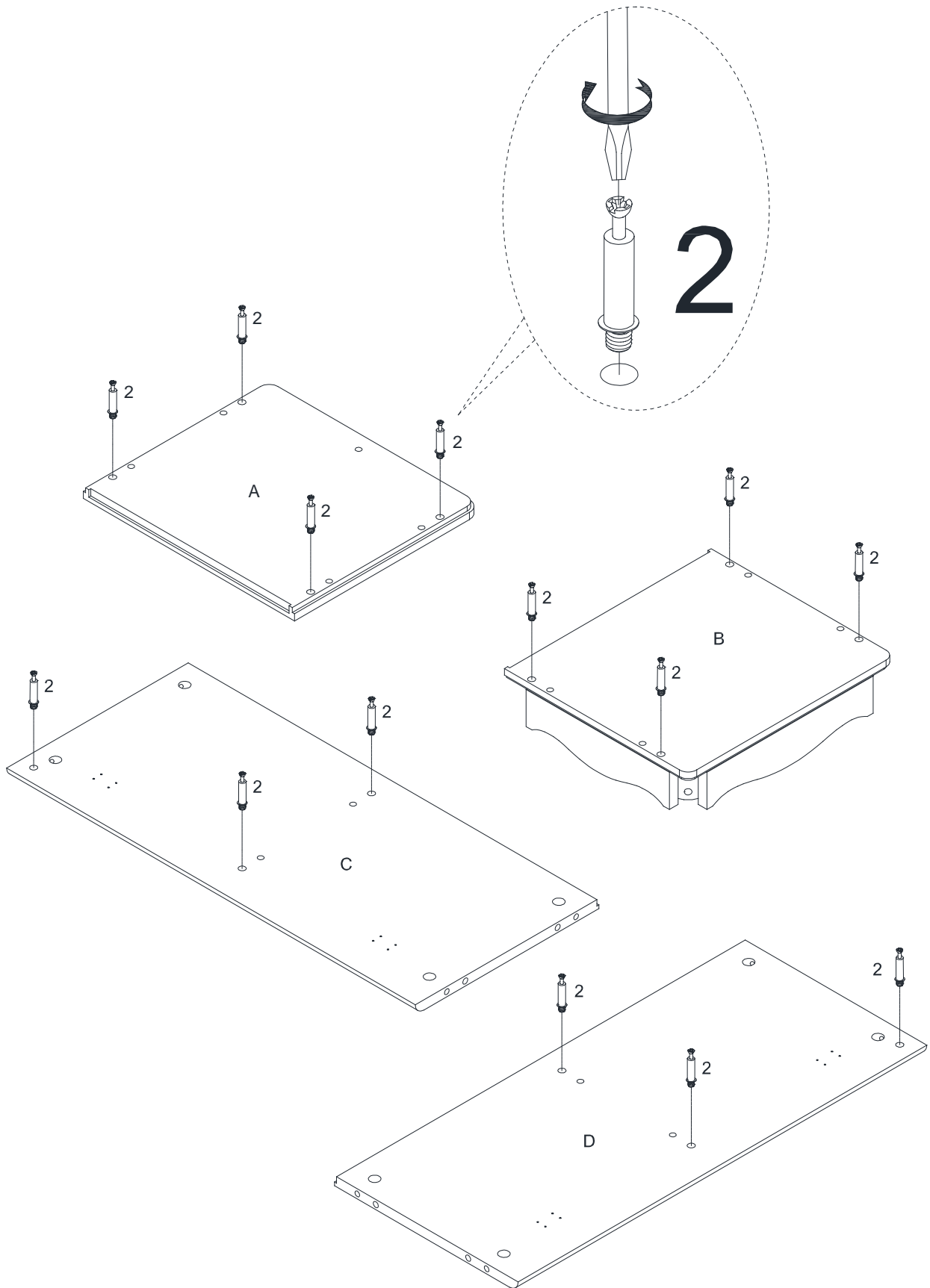
<p>A x1</p>  <p>Top Panel</p>	<p>B x1</p>  <p>Bottom Panel</p>	<p>C x1</p>  <p>Left Side Panel</p>
<p>D x1</p>  <p>Right Side Panel</p>	<p>E x1</p>  <p>Fixed Shelf</p>	<p>F x1</p>  <p>Cross Rail</p>
<p>G x1</p>  <p>Back panel</p>	<p>H x2</p>  <p>Front Leg</p>	<p>I x2</p>  <p>Black Leg</p>
<p>K X1</p>  <p>Door</p>		

# Assembly | Asambla | Assemblage

1	x13	2	x14	3	x14
					
Wood Dowel		Cam Bolt		Cam Lock	
4	x14	5	x2	6	x14
					
Plastic Cover		Hinge		Screw $\phi 3 * 12 \text{mm}$	
7	x1	8	x8	9	x8
					
Handle		Bolt $1/4" * 1-5/8"$		Flat Washer $\phi 1/4" * 16$	
10	x8	11	x15	12	X1
					
Spring Washer $\phi 1/4"$		Screw $\phi 3 * 12 \text{mm}$		Safety Strap Kit	

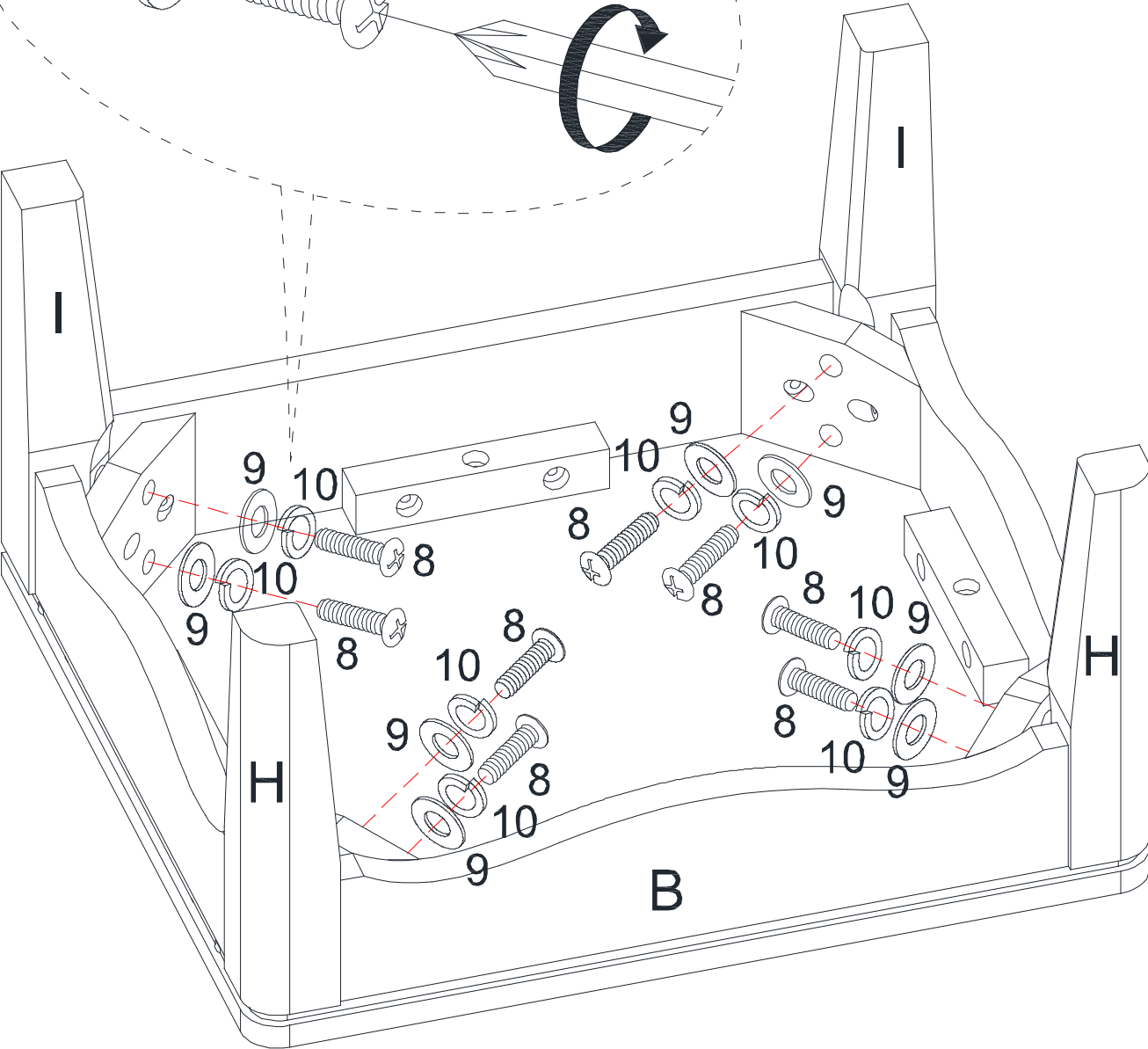
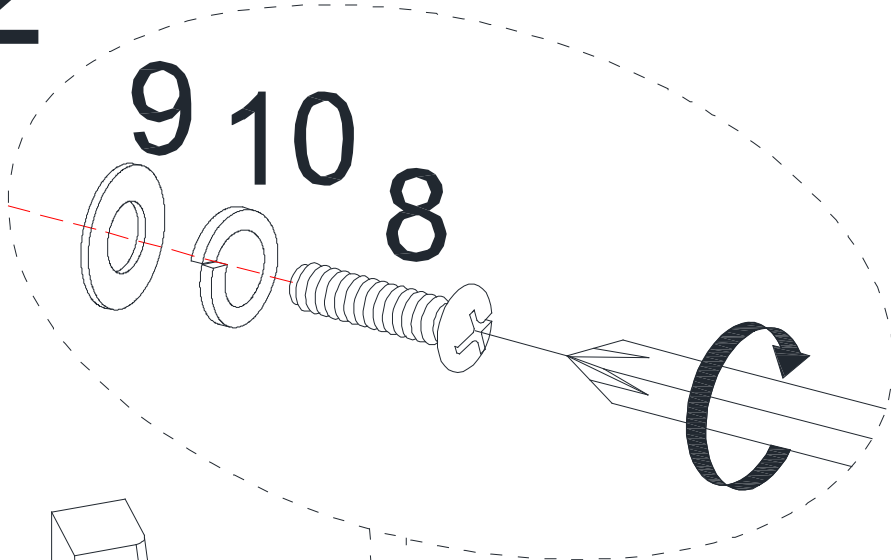
# Assembly | Asambla | Assemblage

1



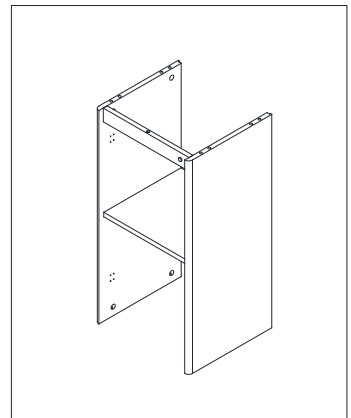
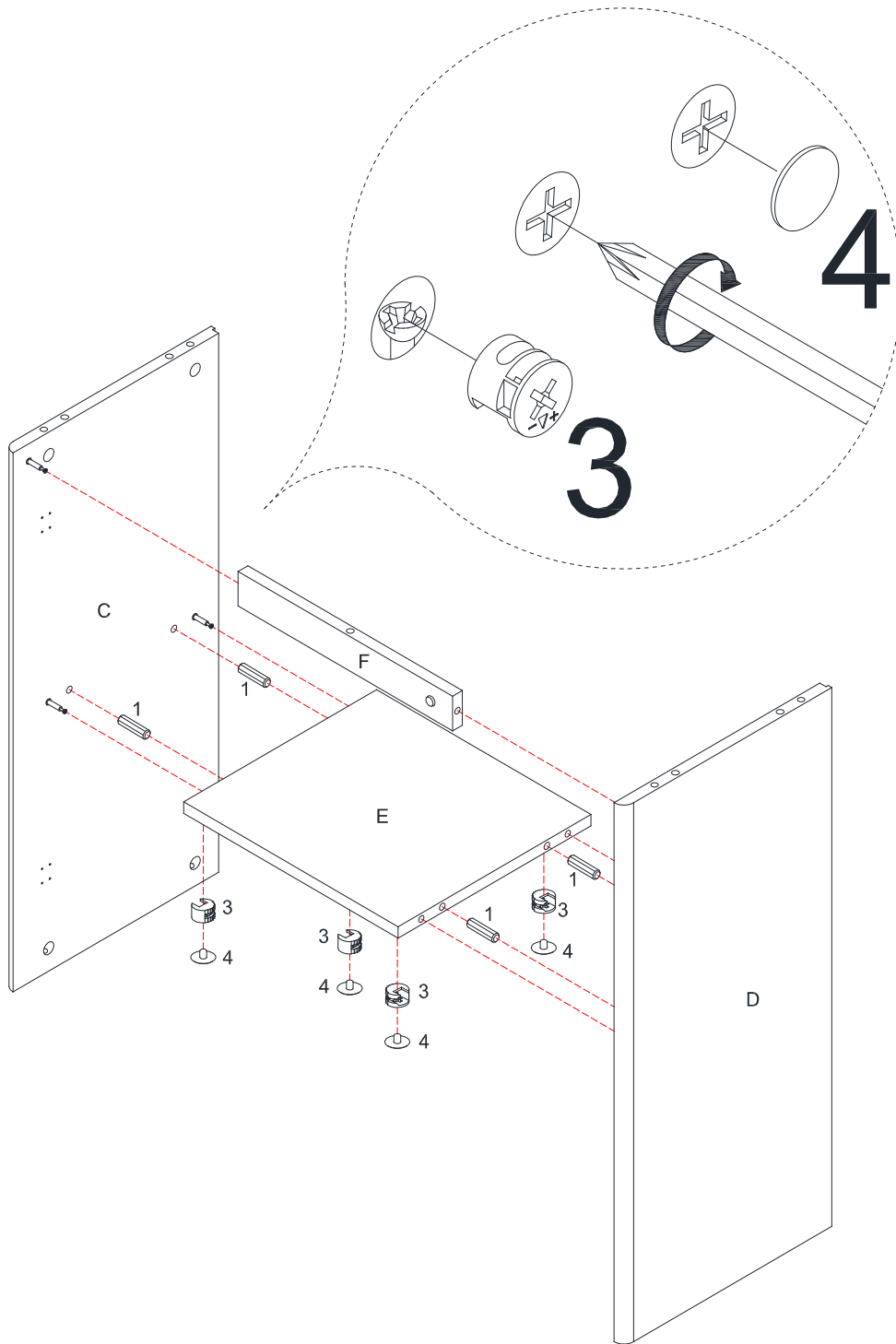
# Assembly | Asambla | Assemblage

2



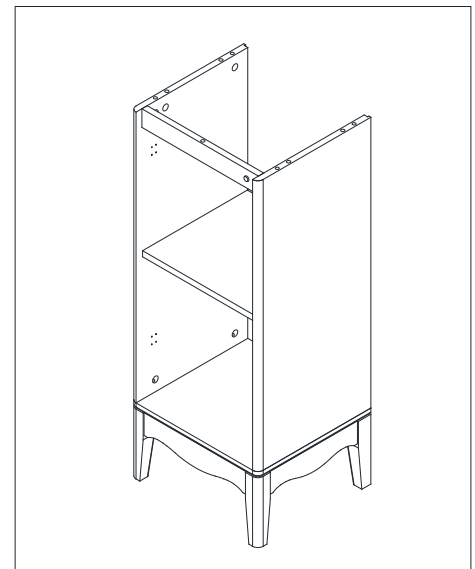
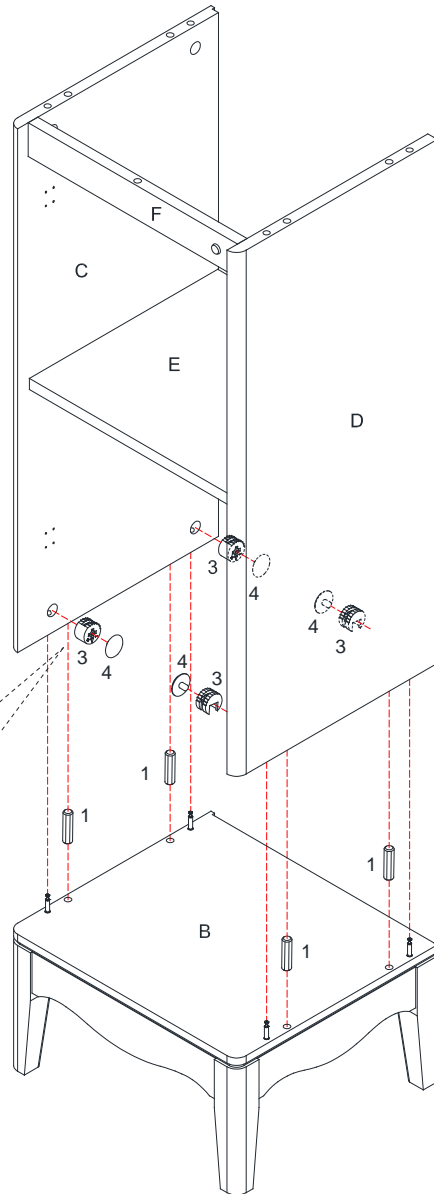
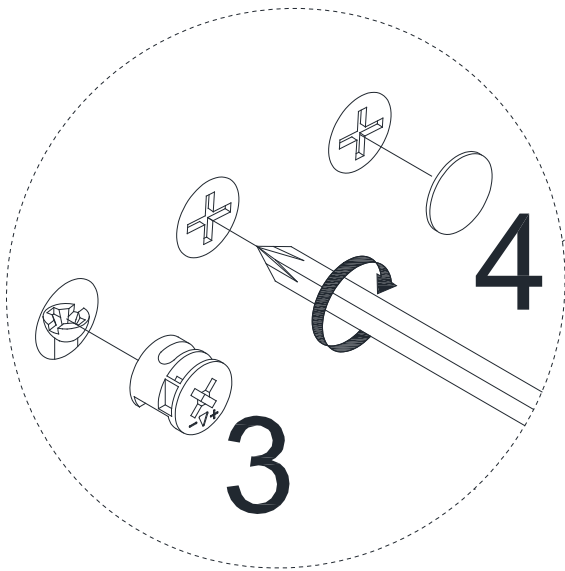
# Assembly | Asambla | Assemblage

# 3



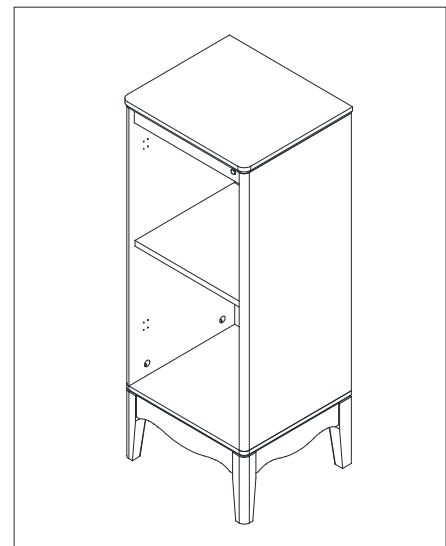
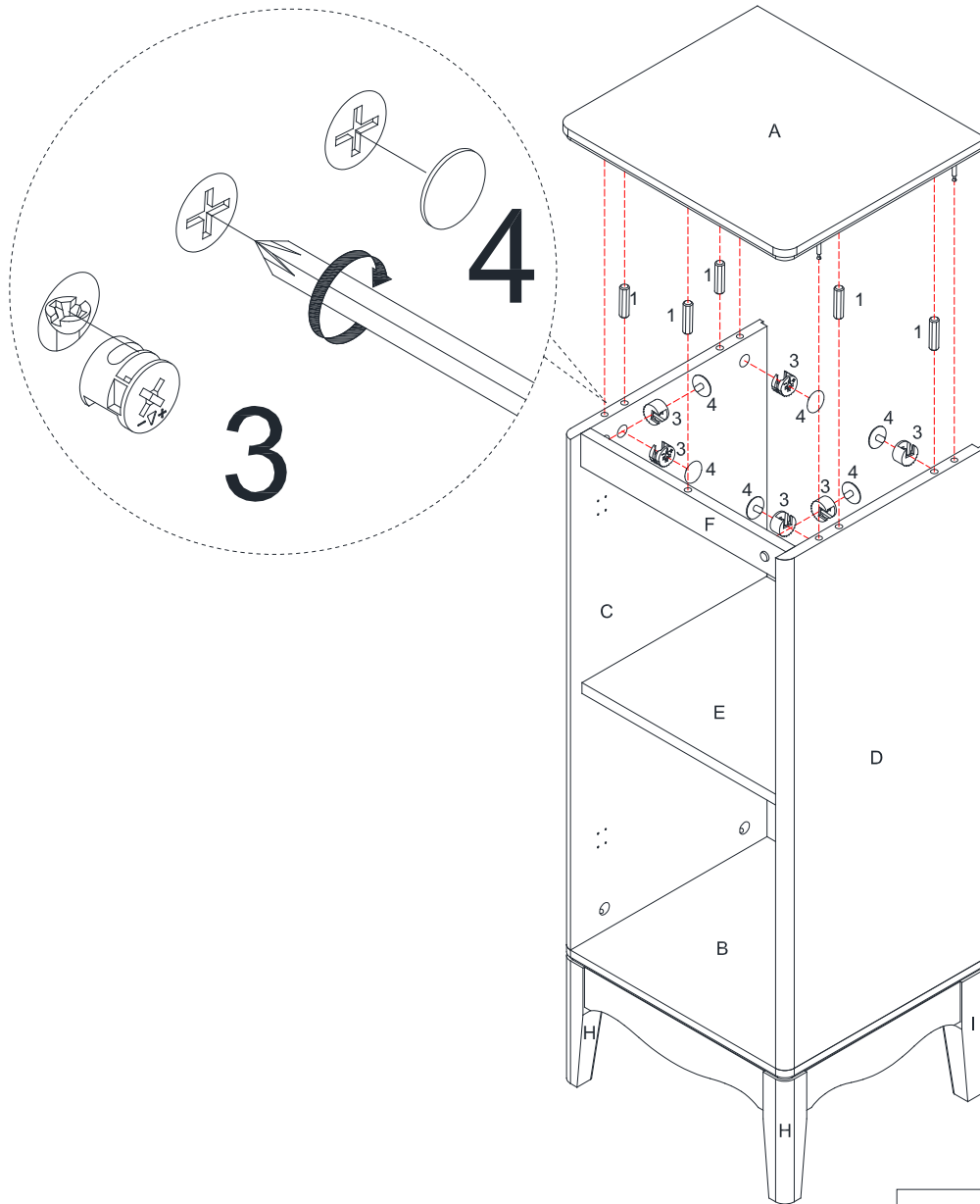
# Assembly | Asambla | Assemblage

# 4



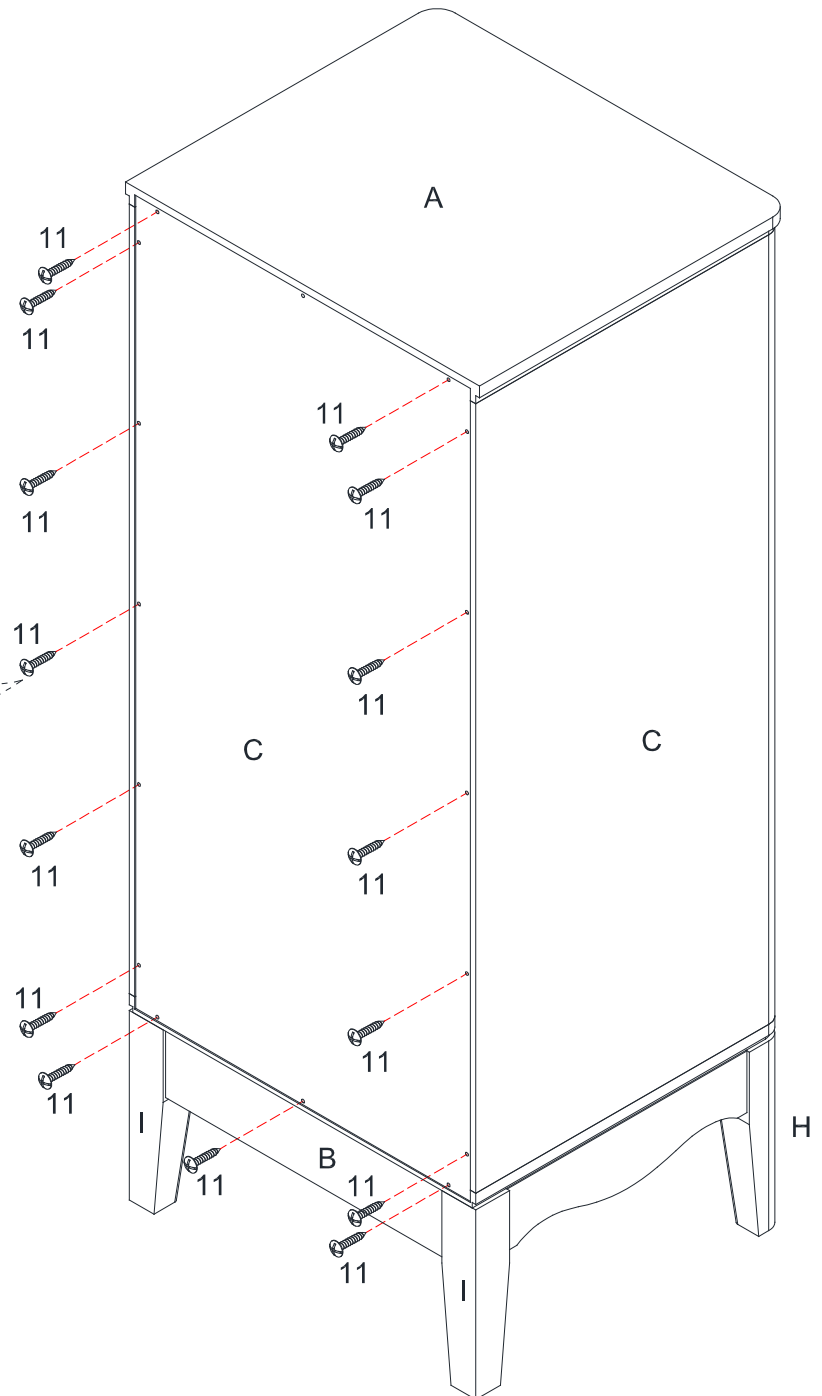
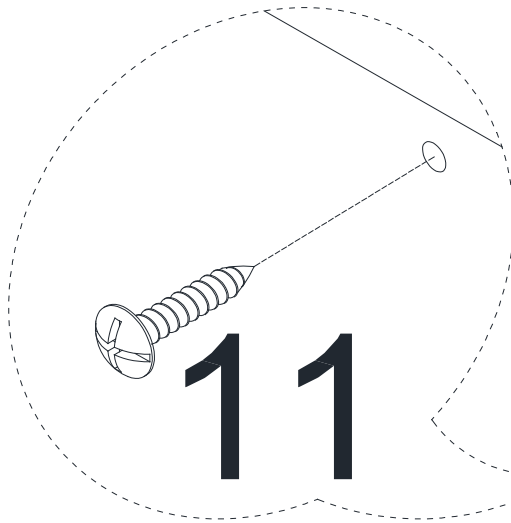
# Assembly | Asambla | Assemblage

5



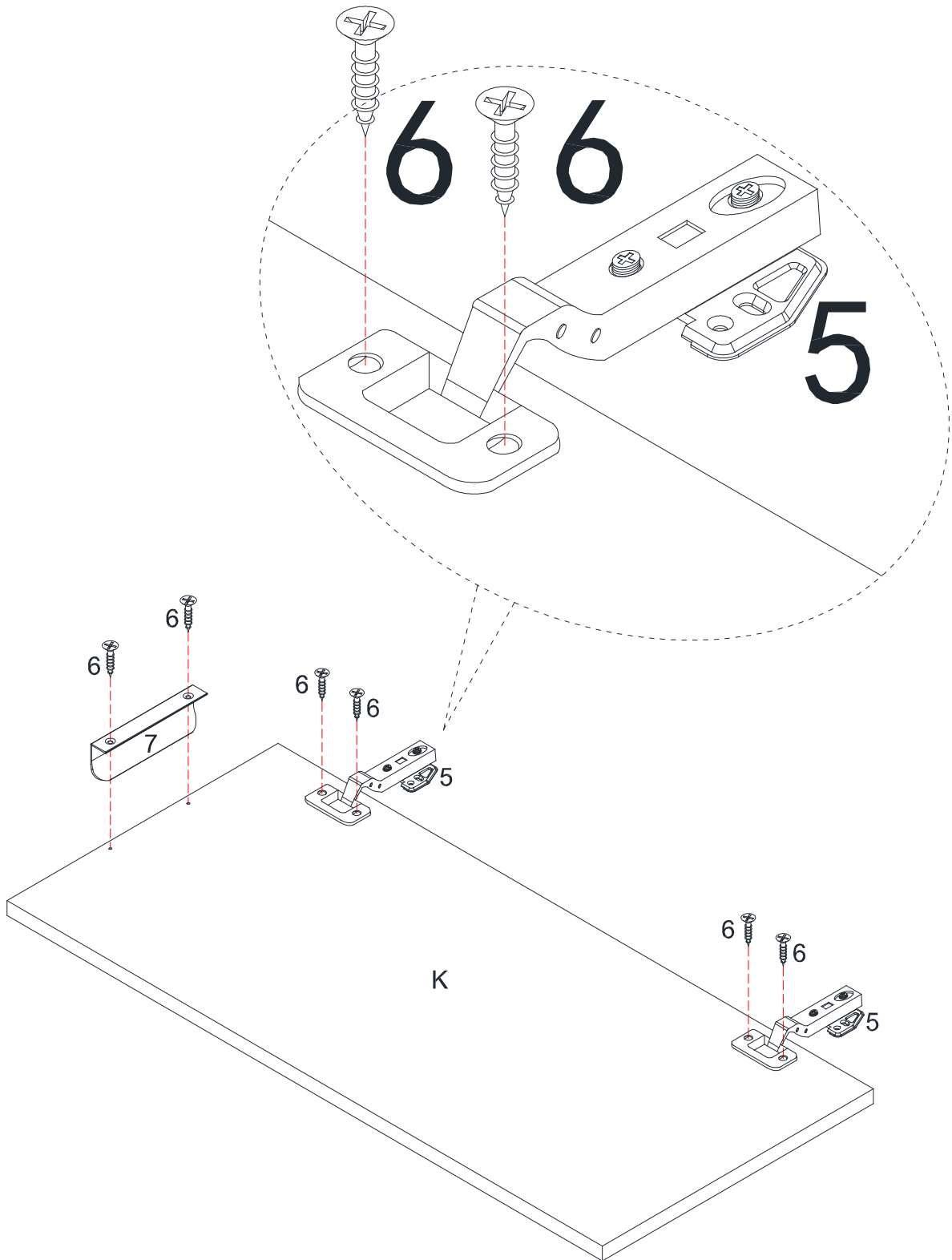
# Assembly | Asambla | Assemblage

# 6



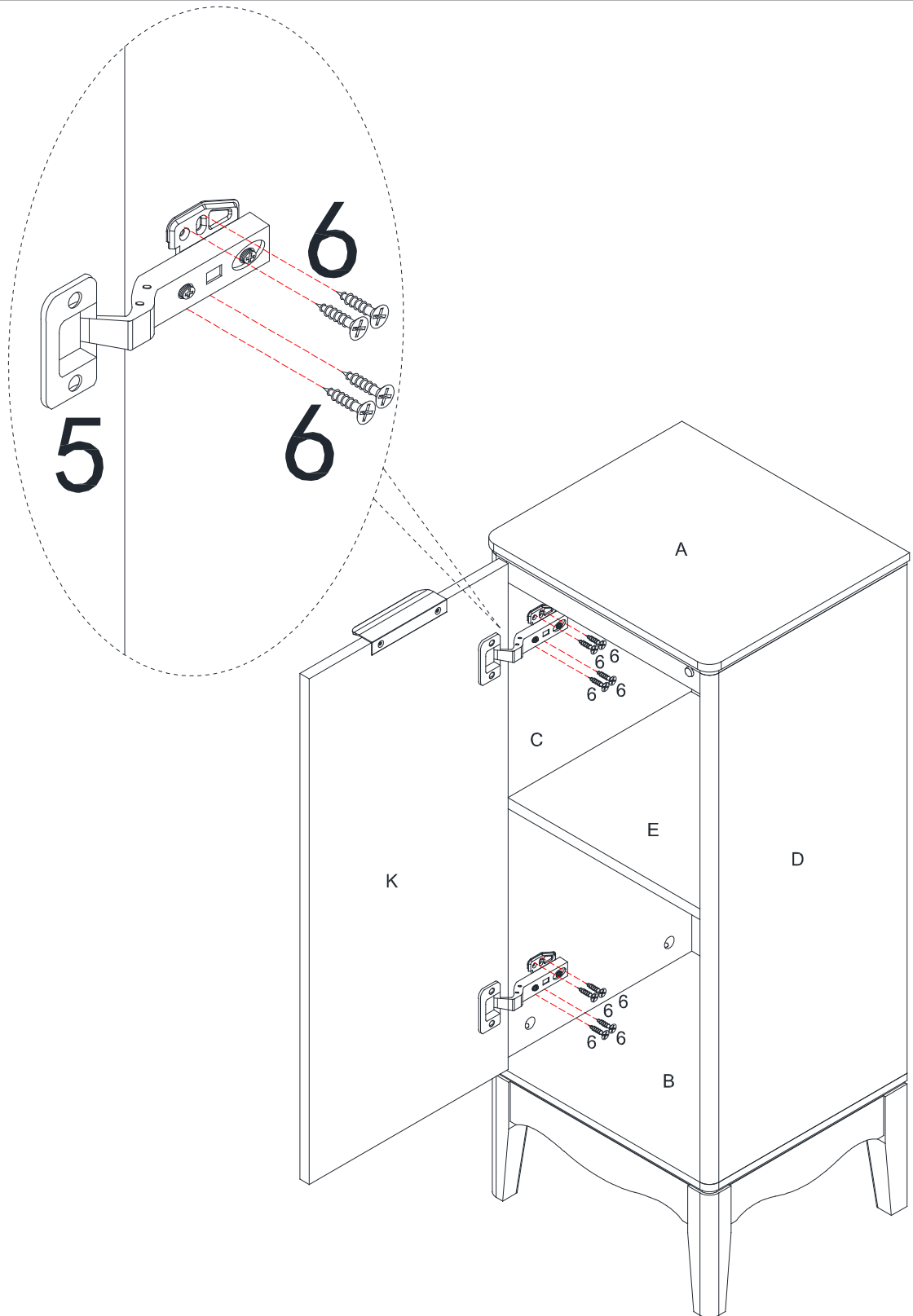
# Assembly | Asambla | Assemblage

7



# Assembly | Asambla | Assemblage

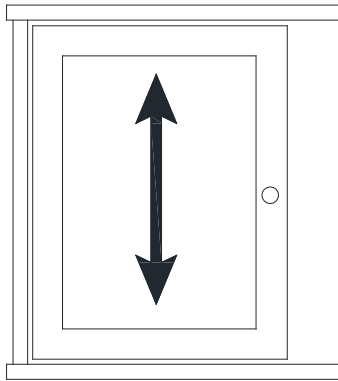
8



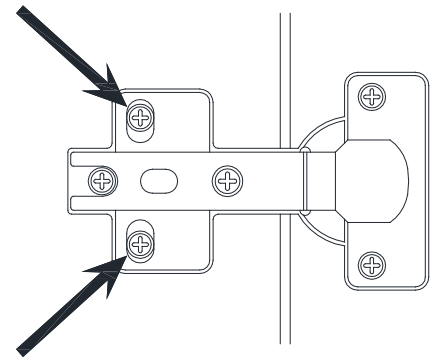
# Assembly | Asambla | Assemblage

## 9

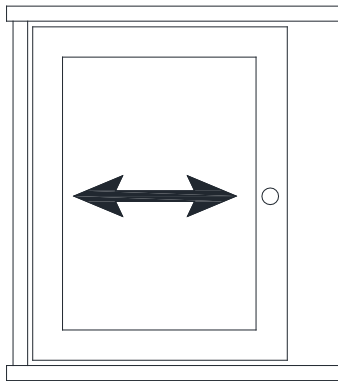
FRONT VIEW



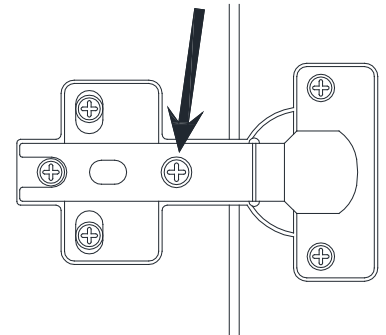
**UP AND DOWN**  
Use screws to adjust the gaps at the top and bottom of door.



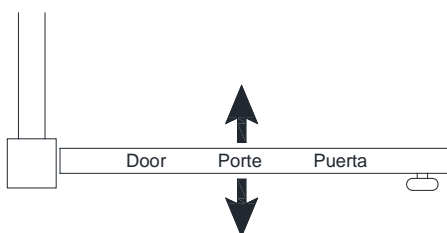
FRONT VIEW



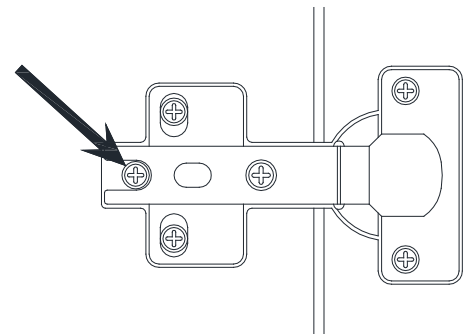
**LEFT AND RIGHT**  
Use screw to adjust the gaps at left and right of the door.



TOP VIEW


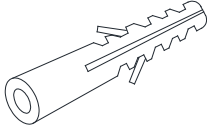

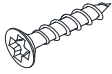
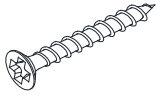
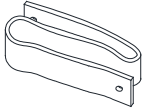


**IN AND OUT**  
Use screw to move the door in or out.



# Assembly | Asambla | Assemblage

# 10

#12	A	B	C	D	E
					
Safety Strap Kit	Anchor	Washer	Short Screw	Long Screw	Safety Wall Strap
1 SET	1 PC	2 PCS	1 PC	1 PC	1 PC

