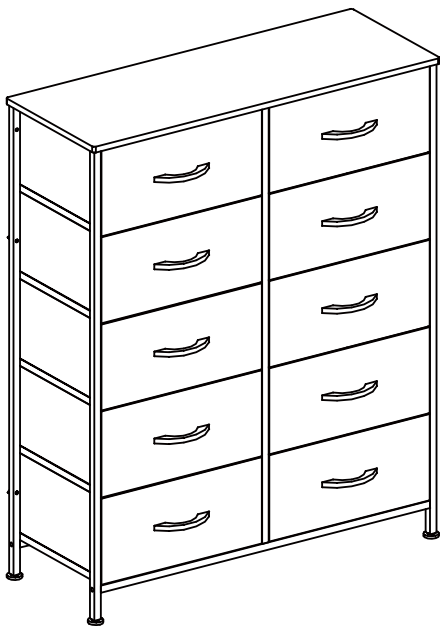


STORAGE DRAWER UNITS



If there are defective parts after unpackage, please contact us
immediately

Important;

1. One person can easily install the item. Of course,two-person installation can be easier and faster.
- 2.The metal frames have certain degrees of elasticity.Please DO NOT over tighten the screws during assembly.An over tightened screw can cause bent metal frame.
3. For a smooth assembly process, we suggest you keep alite tightness for all the screws during assembly,after the whole item is aseembled , firmly tightening all the screws.

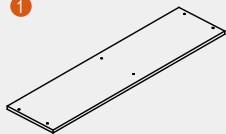
Thank you for choosing our product;

Please kindly share your shopping experience if you are satisfied with it.If you have any problem regarding assembling or product itself, please just contact us

We will do everything we can do to solve all the problem for you.(Note: Two people are recommended to install, which will greatly improve your installation efficiency.)

Parts :

1



2



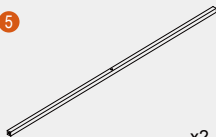
3



4

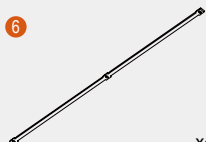


5



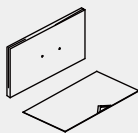
x2

6



x4

7



x10

(A)

M6x10



x8

(B)

M6x25



x6

(C)

M6x30



x6

(D)

M4x8



x20

(E)



x10

(F)

M6



x8

(G)

M6



x4

(H)

M6x30



M4x50



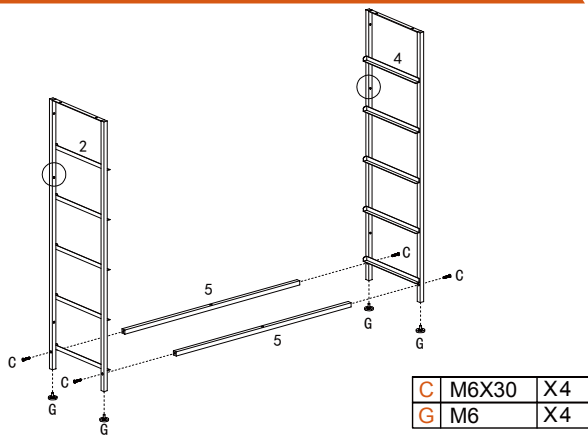
x2



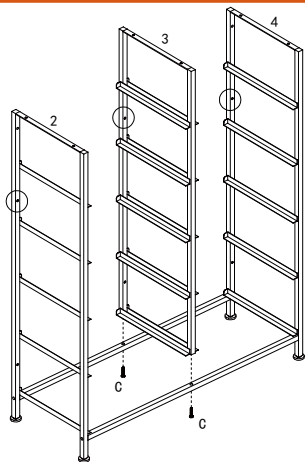
Attention : Do not tighten the screws until you have complete setup assembly.

Assembly Instruction :

Ster 1

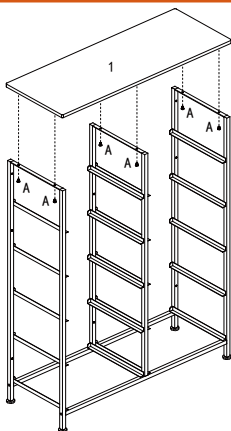


Ster 2



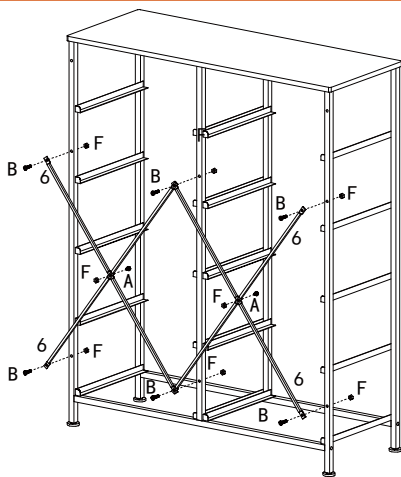
Assembly Instruction :

Ster 3



A	M6X10	X6
---	-------	----

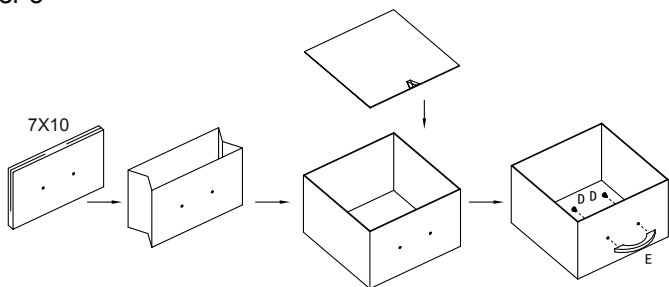
Ster 4



A	M6X10	X2
B	M6X25	X6
F	M6	X8

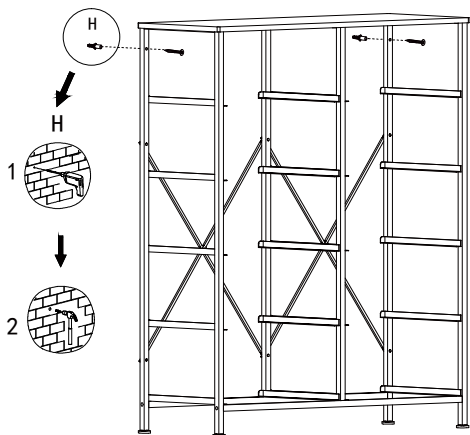
Assembly Instruction :

Ster 5



D	M4x8	X20
E		X10

Ster 6



H		X2
---	--	----

Assembly Instruction :



Modern Storage Drawer :



FIND YOUR FAVORITE DRAWERS

Chests of drawers can be more than just a handy place to store socks. There are lots of shapes, sizes and looks to choose, from tall, narrow units to wide, low shapes, so it's easy to find a finish and design that fit your home.

Simple design makes your home look more modern.

Drawers will hold not only your socks, but clothes, toys, cosmetics, and anything else you want to storage.

It provides simple hidden storage, suitable for your bedroom, closet, lobby or entryway.

GENERAL GUIDELIES :

Please read the following instructions carefully and use the product accordingly.

Please keep this instruction and hand it over when you transfer the product.

This summary may not include every detail of all variations and considered steps.

Please contact us when further information and help are needed.

NOTES :

The product is intended for normal use only. The seller does not assume any responsibility or liability with respect to any damage caused by incorrect assembly or improper use.

Keep away from exposure and heat sources. Place it in a dry area to avoid peeling or fading.

Please check if there is any welding spatter or debris when you receive the product.

If there are defective or missing parts after unpacking, please contact us immediately.

Use soft cloth and neutral detergent to wipe it clean, then wipe dry. Do not use an abrasive agent to wipe the product.

WARNINGS :

During assembly, keep small parts out of the reach of children. It may be fatal if swallowed or inhaled.

To avoid potential danger of suffocation, keep all parts and packaging (films, plastic bags and foam, etc.) away from babies and children.

Keep away from sharp or corrosive items to avoid potential product damage or bodily injury.

