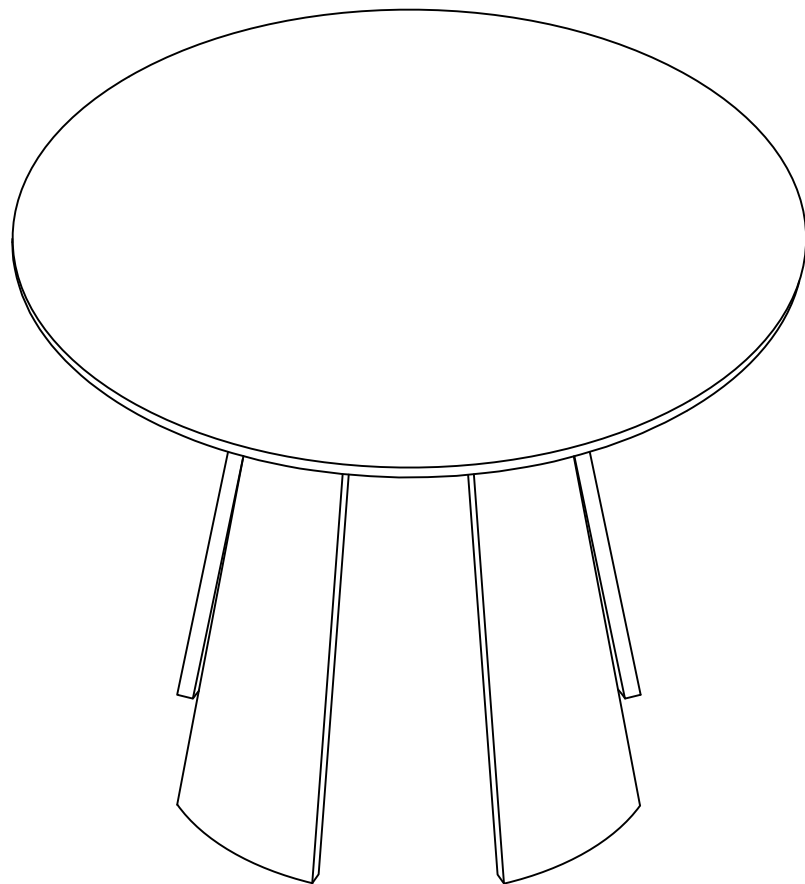


# Instruction Manual

## Farren 120cm Round Dining Table

[www.laura-james.co.uk](http://www.laura-james.co.uk)

1700946.11



# CONTENTS

---

Safety and care advice	<b>1</b>
Components	<b>2</b>
Assembly instructions	<b>4</b>
Copyright	<b>7</b>



# SAFETY AND CARE ADVICE



**PLEASE READ THESE INSTRUCTIONS CAREFULLY AND KEEP FOR FUTURE REFERENCE**

**Warning:** This unit weighs approximately 37kg. Please lift with care.

·Check you have all the components and tools listed on pages 2 and 3.

·Remove all fittings from the plastic bags and separate them into their groups.

·Keep children and animals away from the work area, small parts could choke if swallowed.

·Make sure you have enough space to layout the parts before starting.

·Do not stand or put weight on the product, this could cause damage.

·Assemble the item as close to its final position (in the same room) as possible.

·Assemble on a soft level surface to avoid damaging the unit or your floor (use opened out unit carton).



·We do not recommend the use of power drill/drivers **for inserting screws**, as this could damage the unit. Only use hand screwdrivers.

·Dispose of all packaging carefully and responsibly.

## CARE AND MAINTENANCE

·Only clean using a damp cloth and mild detergent, do not use bleach or abrasive cleaners.

·From time to time check that there are no loose screws on this unit.

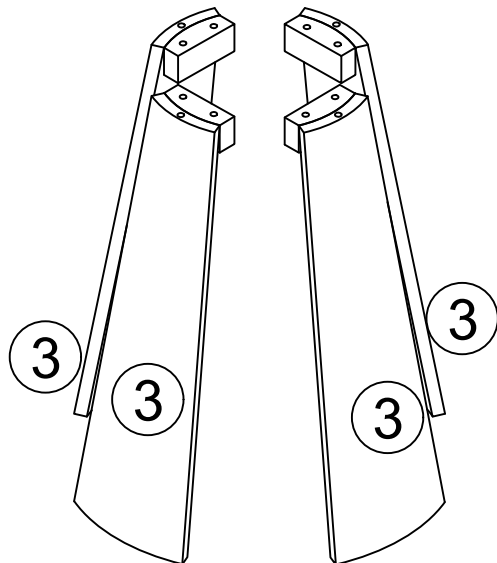
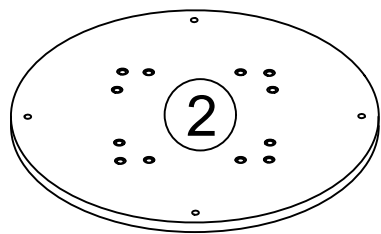
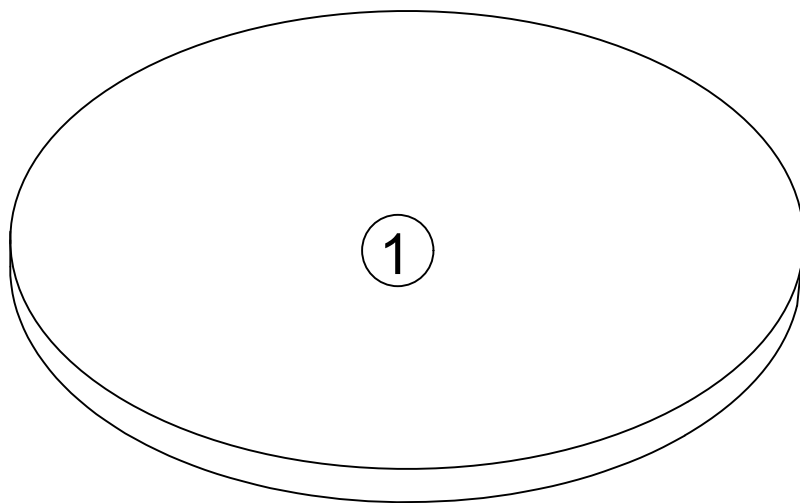
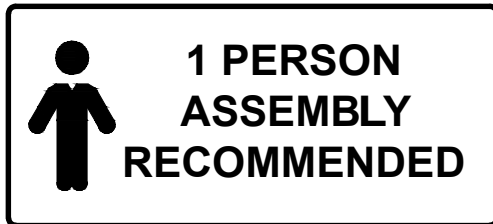
·This product should not be discarded with household waste. Take to your local authority waste disposal center.

**Note:** *If required the next page can be cut out and used as reference throughout the assembly. Keep this page with these instructions for future reference*

# COMPONENTS

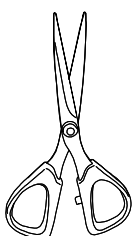
---

Please check you have all the panels listed below:



## PARTS LIST

<b>1</b>	Top	x1
<b>2</b>	Top Support	x1
<b>3</b>	Legs	x4



# COMPONENTS

---

Please check you have all the fittings listed below:



Allen bolt (M8 x 25MM) x 4



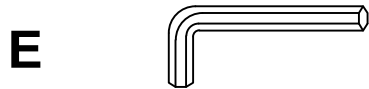
Allen bolt (M8 x 35MM) x 12



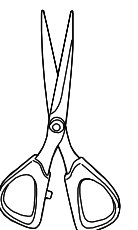
Flat Washer (M8 x 16MM x 1.2MM) x 16



Lock Washer (M8 x 12MM) x 16



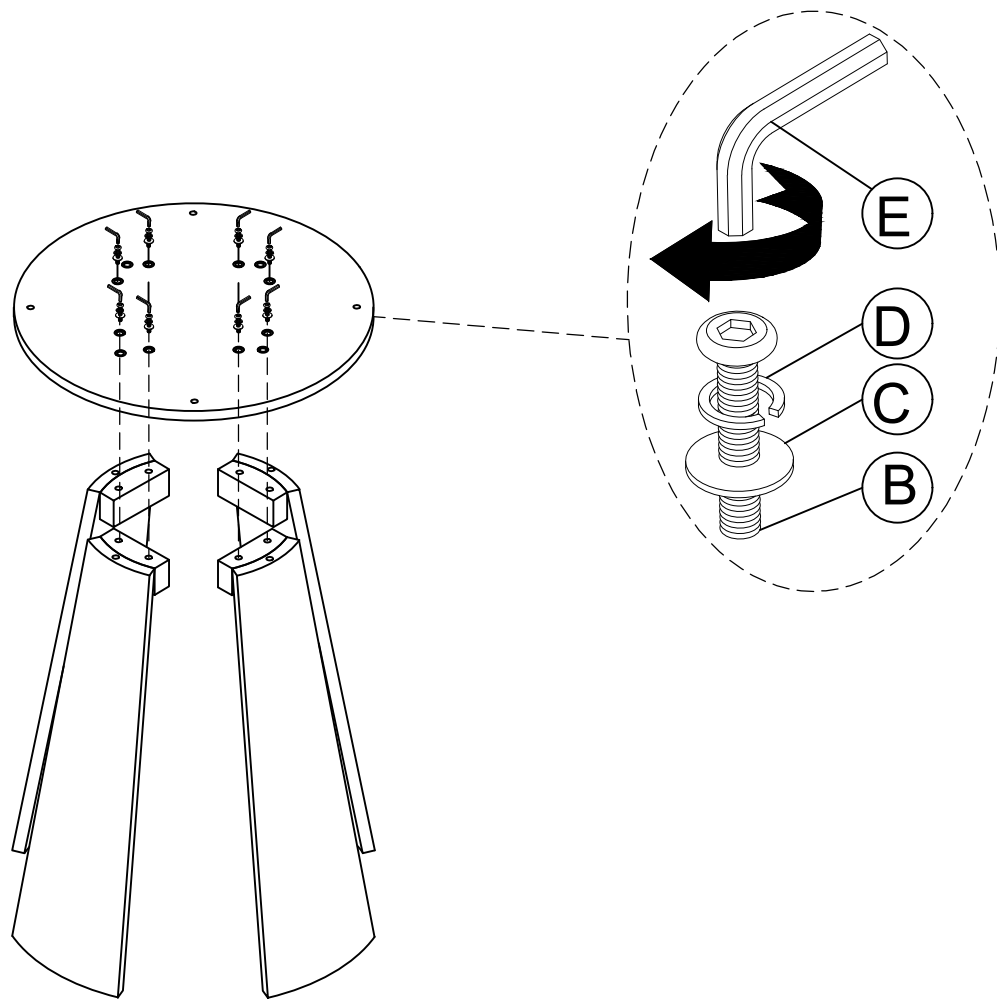
Allen key (M4) x 1



# ASSEMBLY INSTRUCTIONS

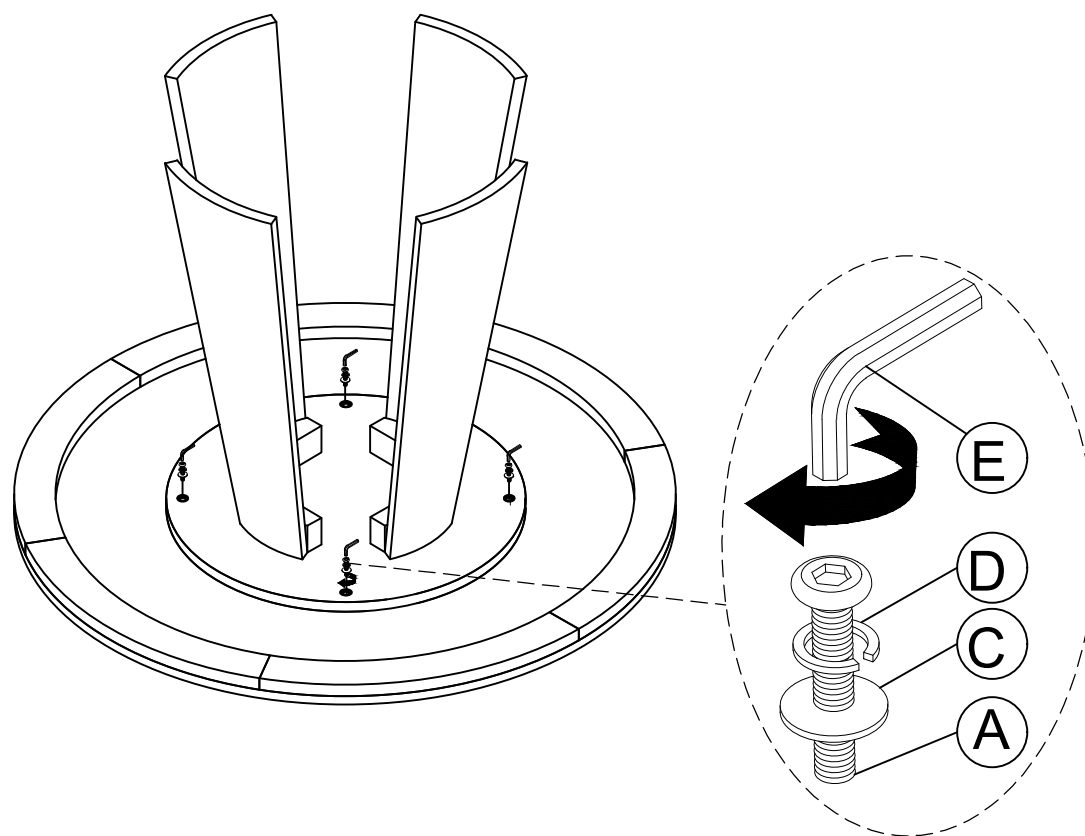
---

## Step 1



---

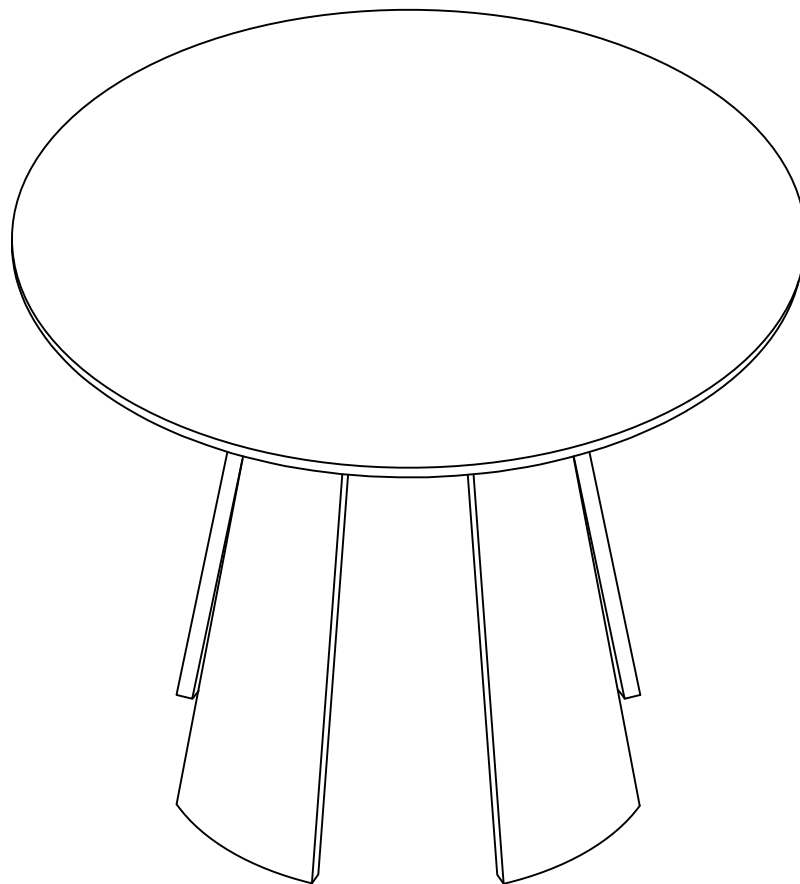
## Step 2



# ASSEMBLY INSTRUCTIONS

---

## Step 3



Congratulations! Now you have finished assembling the product.

# IF YOU FIND A DEFECTIVE PART

---

We fully stock all parts and components. Any defective part can be quickly replaced. Take note of the defective part number in manual and we will arrange a quick replacement.

You can email our team at [customercare@laura-james.co.uk](mailto:customercare@laura-james.co.uk)

## COPYRIGHT

---

All material in this instruction manual is copyrighted by AGTC Ltd.

Any unauthorised use may violate worldwide copyright, trademark and other laws.

Thank you for purchasing!

Laura James® is a registered trademark of AGTC Ltd.  
Made in Vietnam for AGTC LTD S35 9ZX