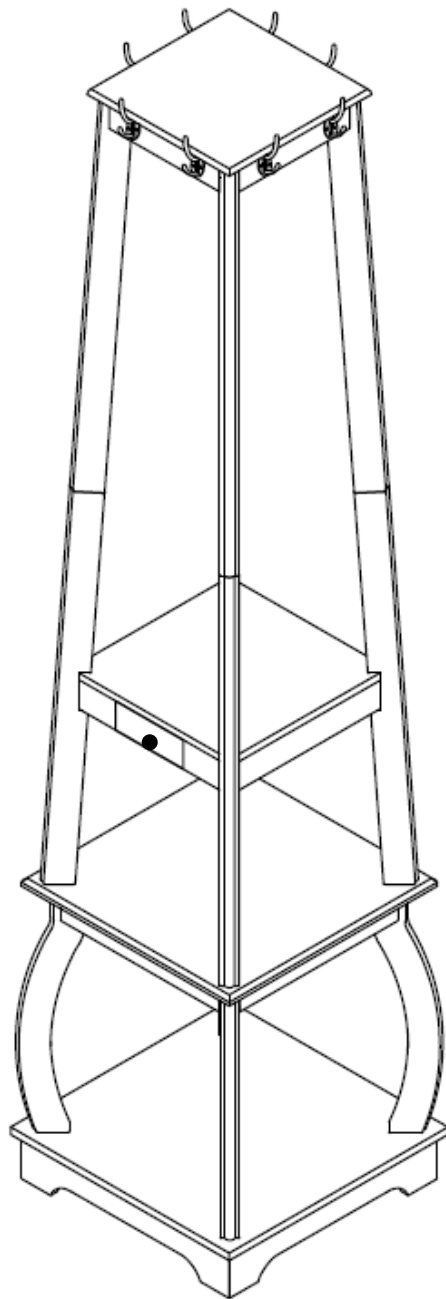


ASSEMBLY INSTRUCTIONS

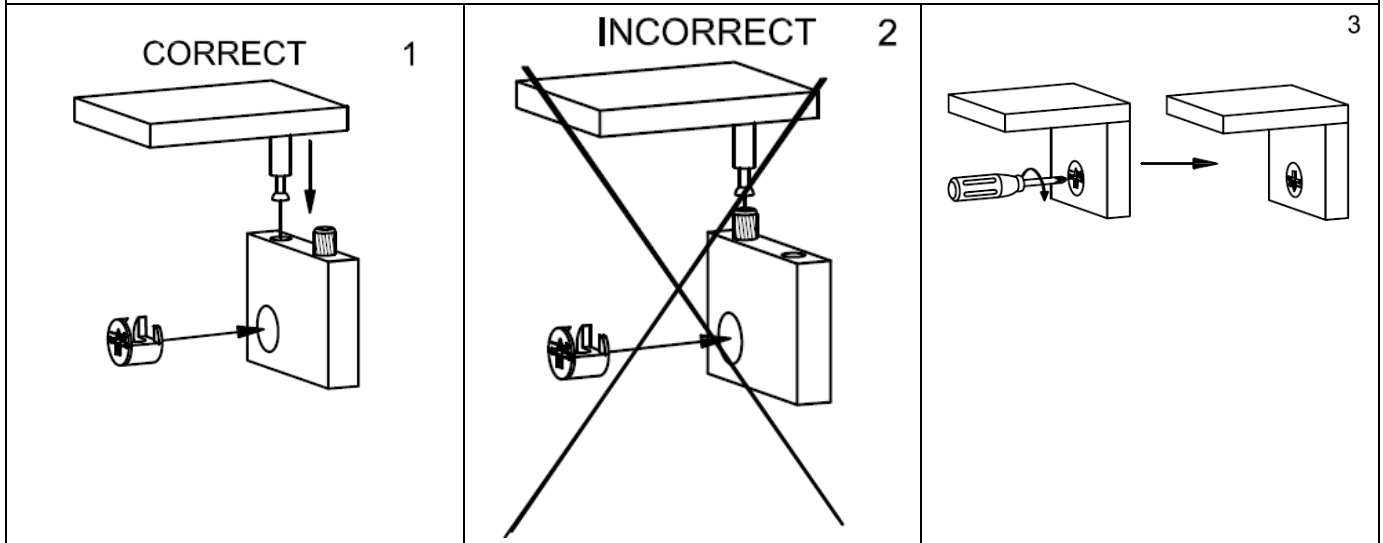
Coat Rack with Storage



Pre-Assembly:

- Please read all instructions before beginning assembly.
- Save all packing materials until assembly is complete to avoid accidentally discarding smaller parts or hardware.
- Prepare a soft clean surface for assembly.
- To guard against color transfer, do not assemble directly on carpet, flooring, or other sensitive coverings.

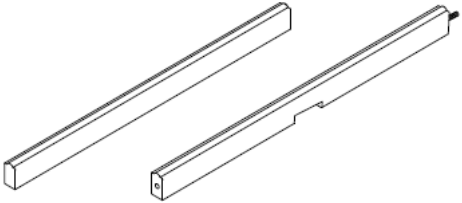
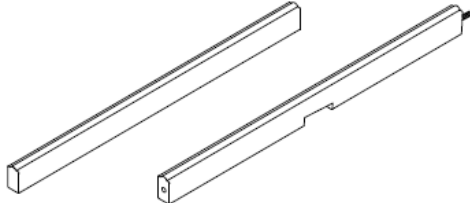
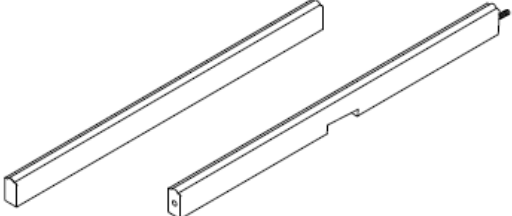
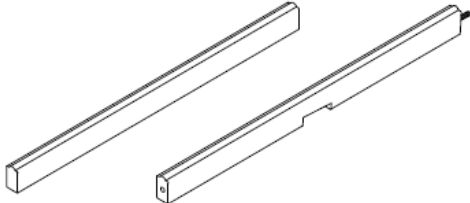
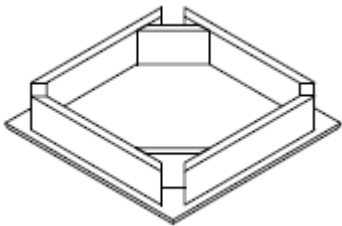
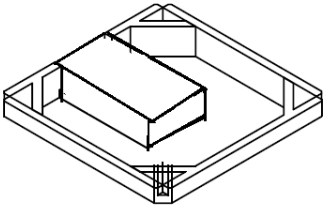
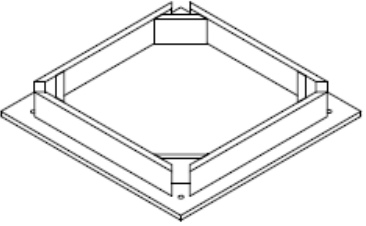
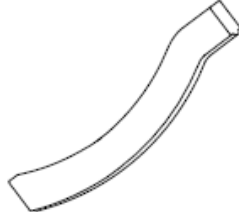
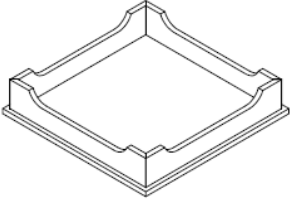
Instruction of Using Cam Lock



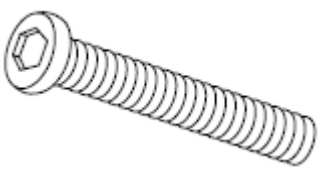
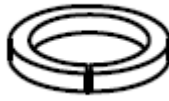
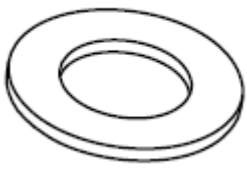
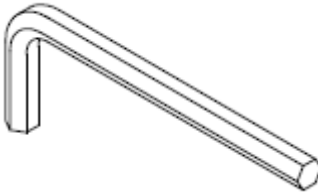
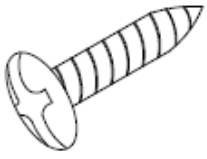

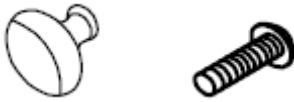
- Please do not over tighten cam locks. Please turn cam locks clockwise and stop when you feel tight.
- If the cam nuts won't turn or can't catch the cam pins, you can tighten or loosen the cam pins a little bit and try again.

Parts List

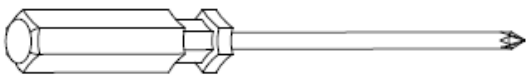
Please check packaging for all parts and hardware before discarding. Unpack and lay parts on clean padded surface. Check that you have all parts indicated. Call customer service if hardware is missing. Before beginning assembly, carefully study the diagrams below and sort your hardware according to the pictures. Using the incorrect hardware will cause damage.

<p>(1). Quantity Of 2 Post</p> 	<p>(2). Quantity Of 2 Post</p> 
<p>(3). Quantity Of 2 Post</p> 	<p>(4). Quantity Of 2 Post</p> 
<p>(5). Quantity Of 1 Top Panel</p> 	<p>(6). Quantity Of 1 Shelf w/ Drawer</p> 
<p>(7). Quantity Of 1 Shelf</p> 	<p>(8). Quantity Of 4 Bottom Post</p> 
<p>(9). Quantity Of 1 Bottom Panel</p> 	

Hardware List

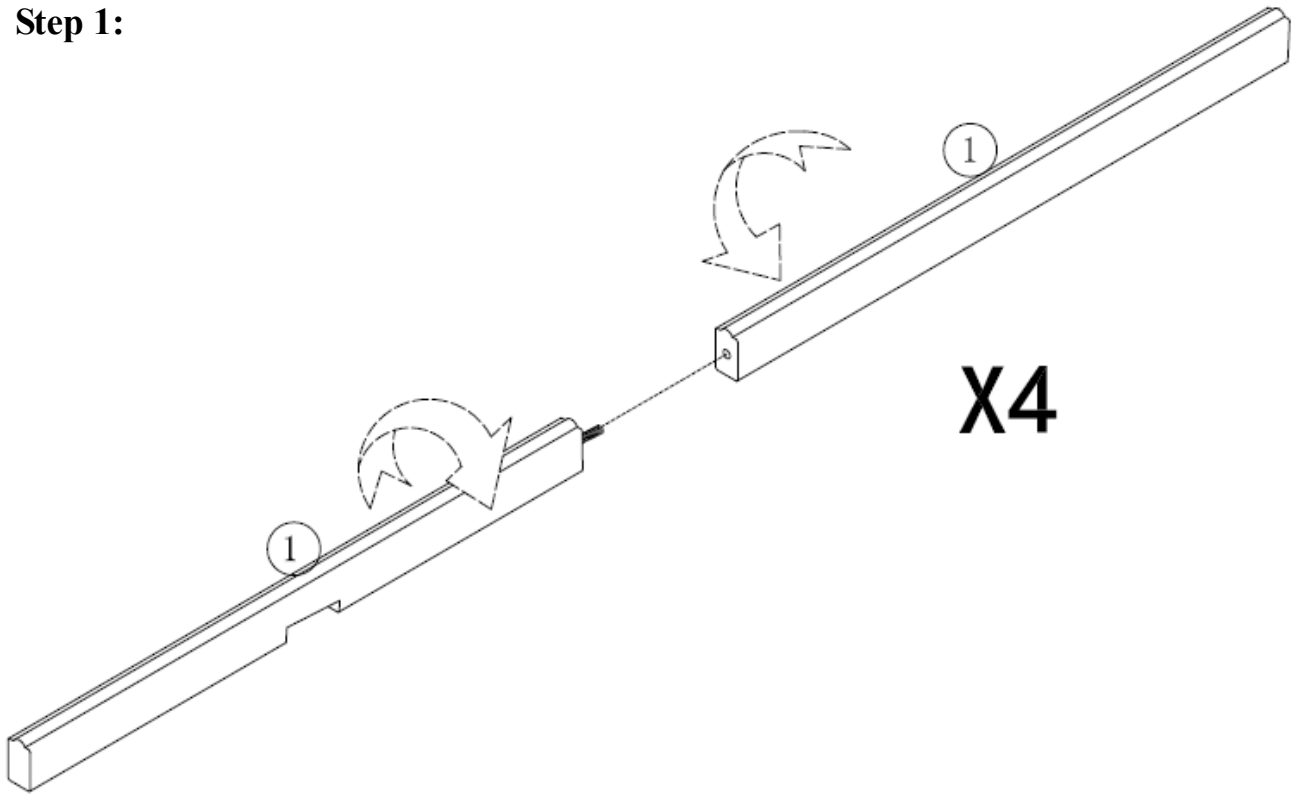
<p>(A). Quantity Of 20 Bolt</p> 	<p>(B). Quantity Of 20 Spring washers</p> 
<p>(C). Quantity Of 20 Flat washers</p> 	<p>(D). Quantity Of 1 Allen Wrench</p> 
<p>(E). Quantity Of 16 Screw</p> 	<p>(F). Quantity Of 8 Metal Hook</p> 
<p>(G). Quantity Of 1 Knob with bolt</p> 	

Assembly Tool Required: Phillips Screwdriver (Not Included).



Assembly Instructions

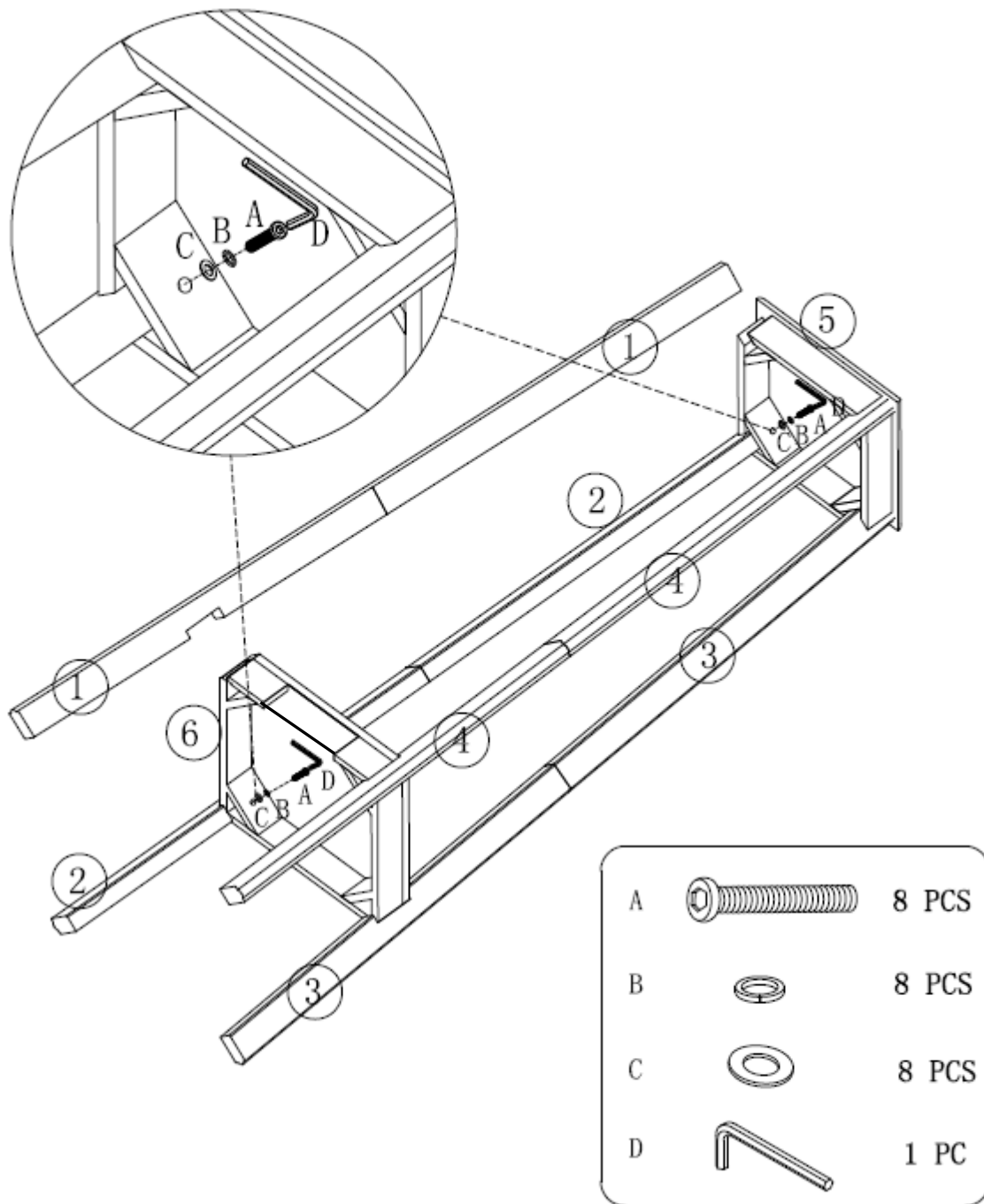
Step 1:



**Connect the two Posts (1) together as above shown.
Assemble other Posts (2), (3) and (4) in the same way.**

Assembly Instructions

Step 2:

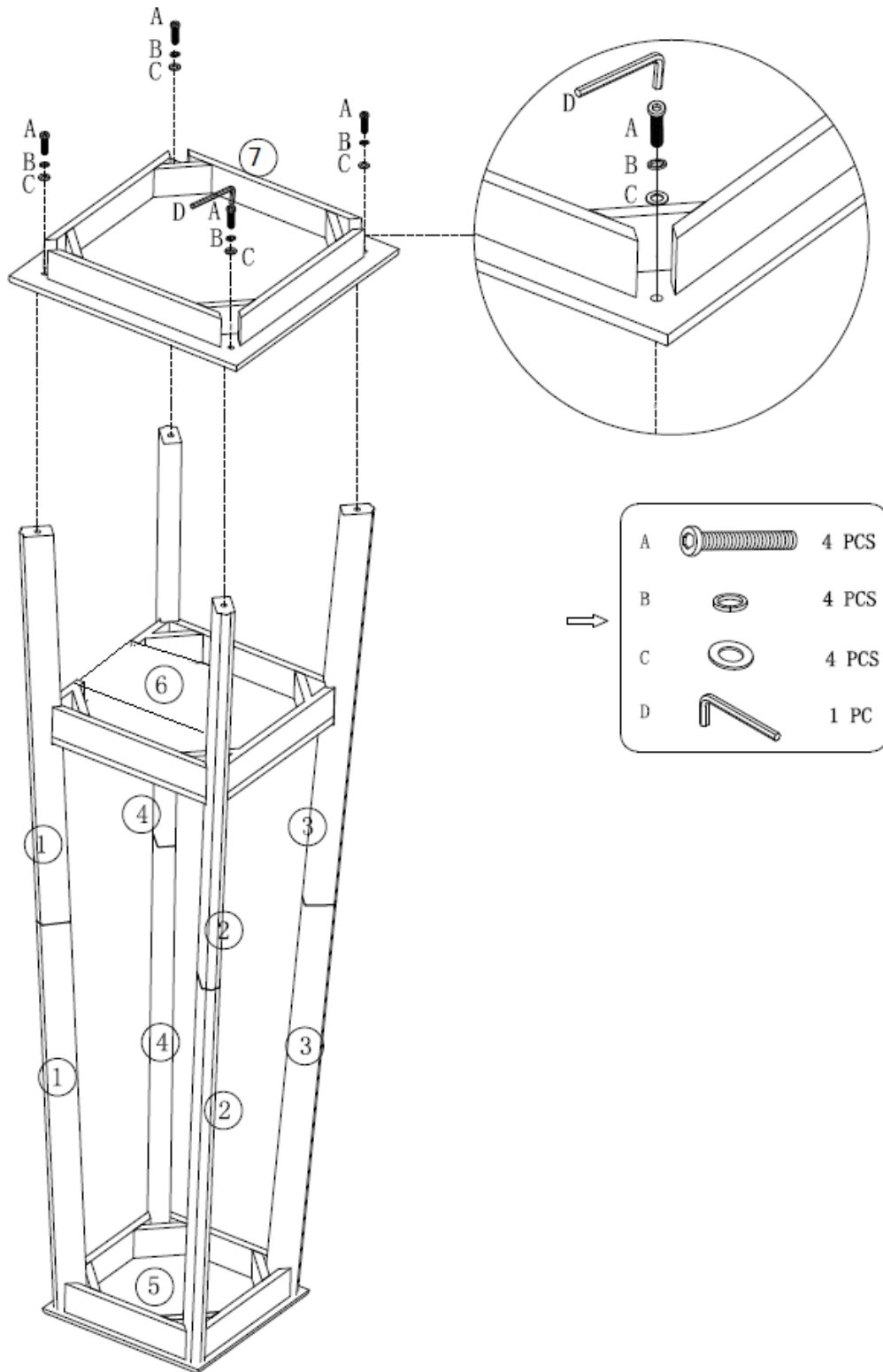


Assemble Posts (1), (2), (3), (4) to Top Panel (5) and Shelf w/Drawer (6) using Bolts (A) with Spring Washers (B) & Flat Washers (C) by Allen Wrench (D).

Note: Please do not tighten bolts until all of them are attached.

Assembly Instructions

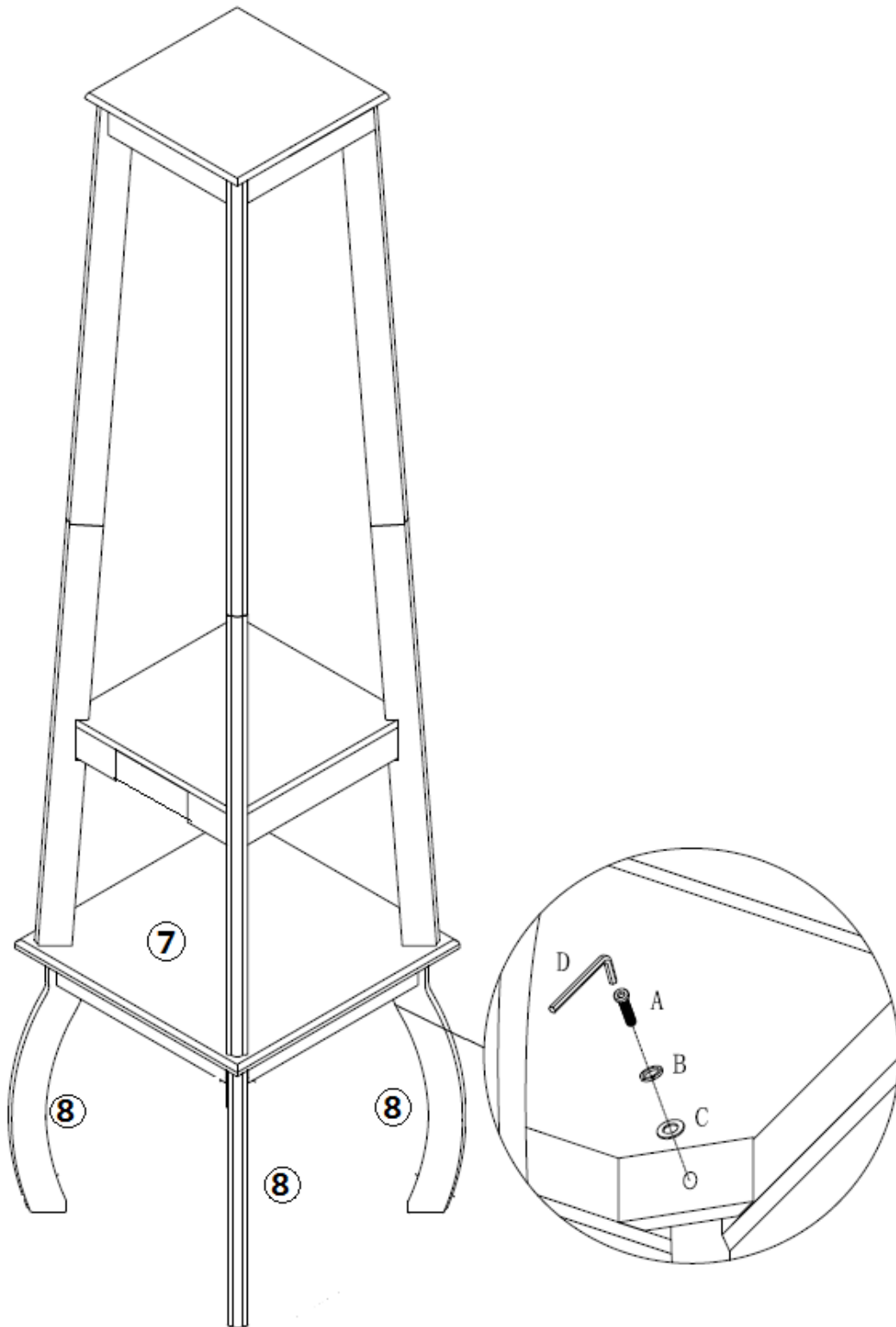
Step 3:



Assemble shelf (7) to Posts (1),(2),(3),(4) using bolts (A) with spring washers (B) & flat washers(C) by Allen Wrench.

Assembly Instructions

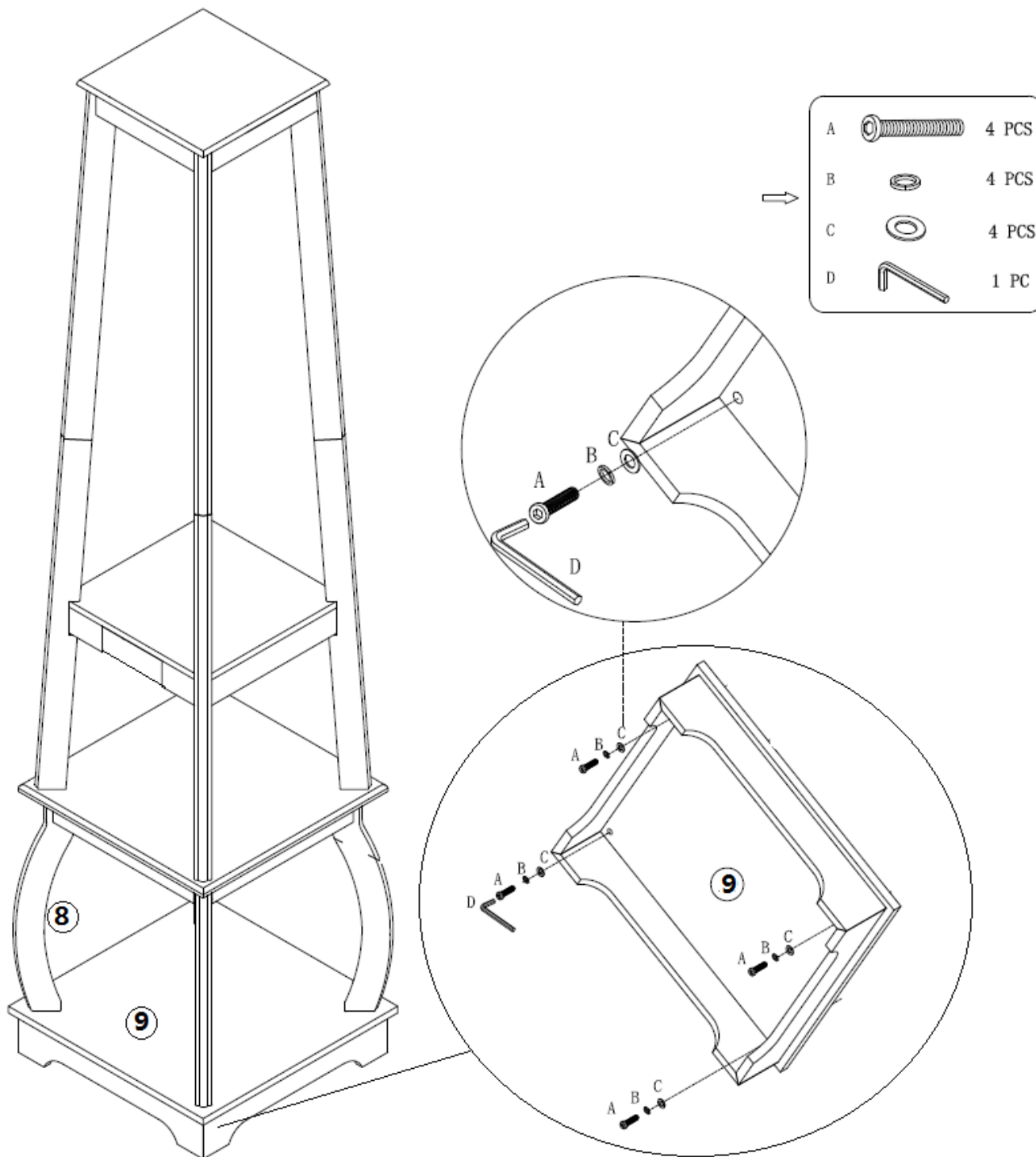
Step 4:



Assemble Bottom Posts (8) to Shelf (7) using Bolts (A) with Spring Washers (B) & Flat Washers (C) by Allen Wrench.

Assembly Instructions

Step 5:

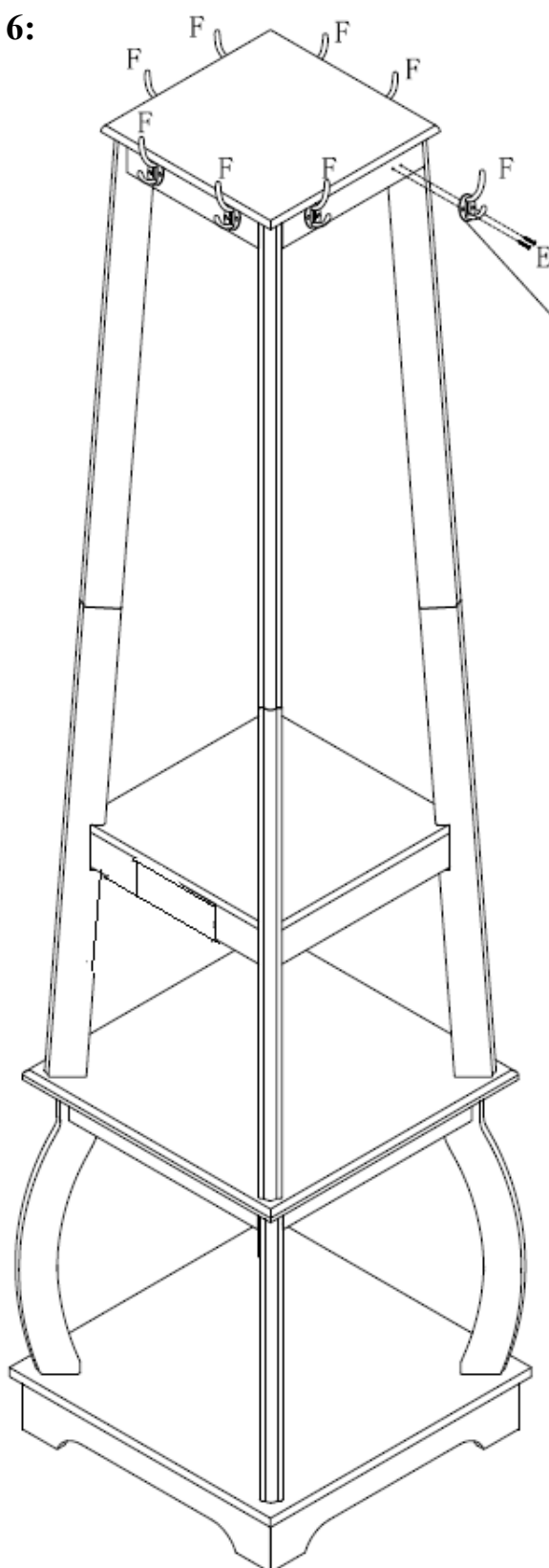




Assemble the Bottom Panel (9) to Bottom Legs (8) using Bolts (A) with Spring Washer(B) and Flat Washers (C).

Note: Please do not tighten bolts until all of them are attached.

Assembly Instructions

Step 6:

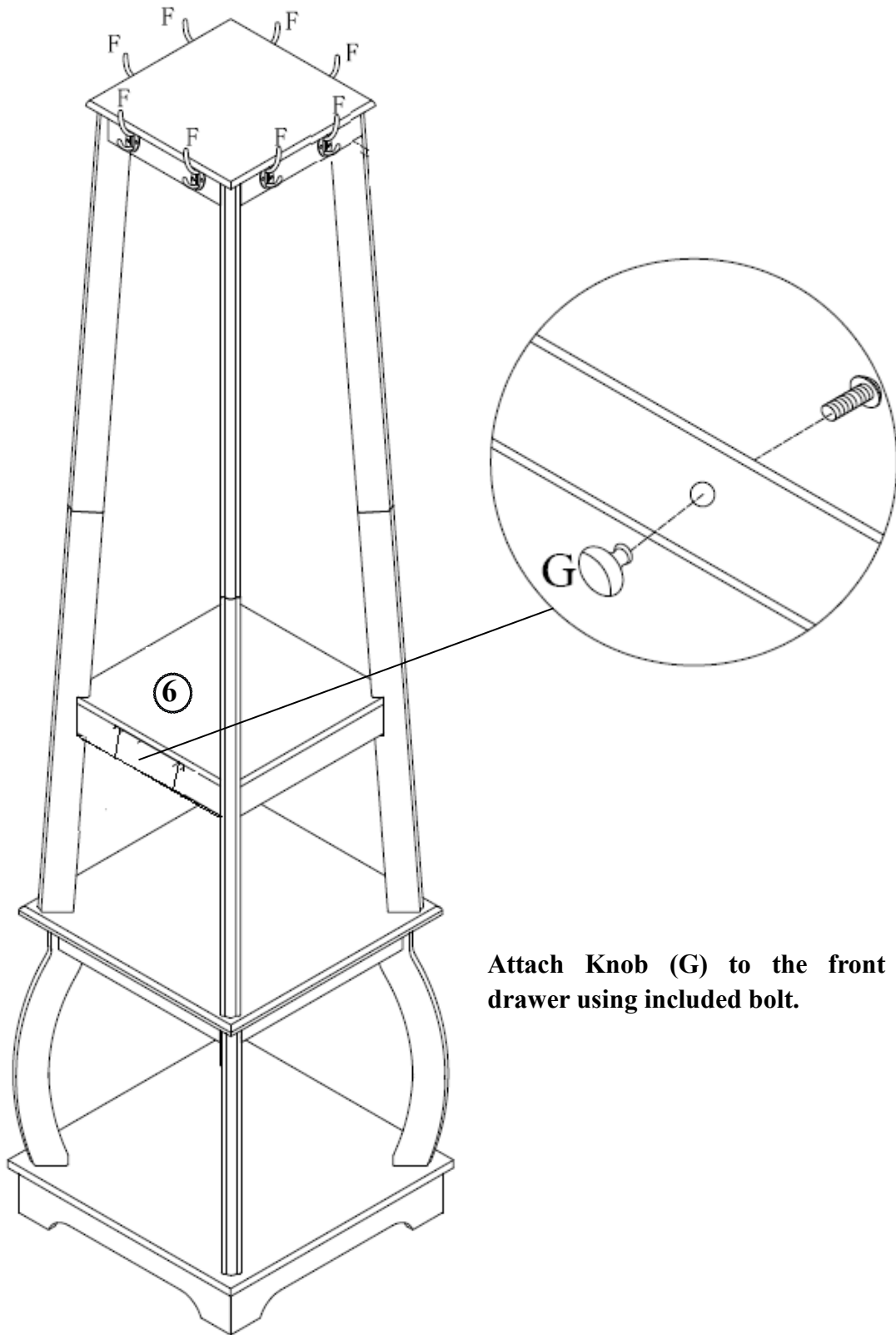


E		16 PCS
F		8 PCS

Attach hooks (F) to Top Panel (5) using Screws (E).

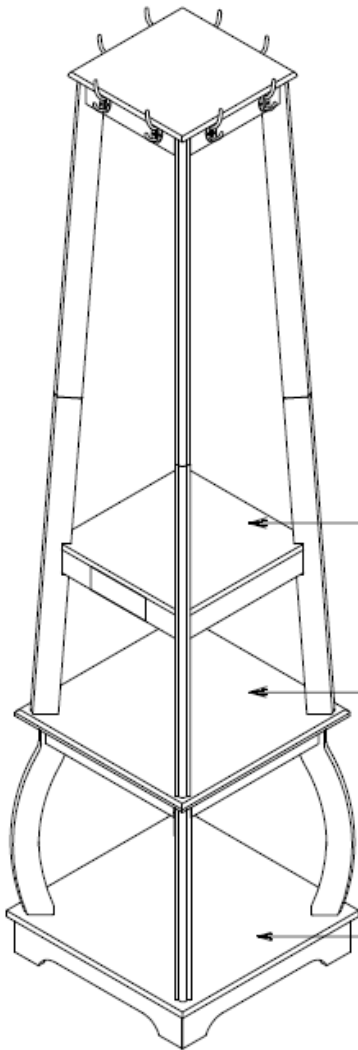
Assembly Instructions

Step 7:



Attach Knob (G) to the front of drawer using included bolt.

Assembly Instructions



Max. Weight Limit 25 Lbs.)

Max. Weight Limit 25 Lbs.)

Max. Weight Limit 35 Lbs.)

VERY IMPORTANT !! CARE INSTRUCTIONS

TO CLEAN

SIMPLY USE A SOFT CLOTH MOISTENED WITH LEMON OIL POLISH OR LUKEWARM SOAP & WATER THEN BUFF WITH A DRY CLEAN CLOTH !



NEVER

USE GLASS CLEANERS ON FINISHED FURNITURE. AMMONIA WILL CHEMICALLY ATTACK THE LACQUER FINISH.

DO NOT USE COMMERCIAL WAXES AND POLISHES



PREVENT YELLOWING

NEVER

ALLOW LIQUIDS OF ANY KIND TO REMAIN IN CONTACT WITH ANY OF THE SURFACES AS ABSORPTION OF MOISTURE CAUSES WOOD TO WARP AND FINISHES TO DE-LAMINATE.

DO NOT PLACE IN DIRECT SUNLIGHT



PREVENT FADING

DO NOT PLACE HOT ITEMS DIRECTLY ON SURFACE



PREVENT DAMAGE TO FINISH!

DO NOT PLACE RUBBER-BASED ITEMS DIRECTLY ON SURFACE



PREVENT DISCOLORING

DO NOT WRITE DIRECTLY ON SURFACE



PREVENT MARKING

EXTREME OR SUDDEN CHANGES IN INDOOR TEMPERATURE AND/OR IMPROPER RELATIVE HUMIDITY LEVELS MAY CAUSE DAMAGE TO WOOD



PREVENT SPLITTING