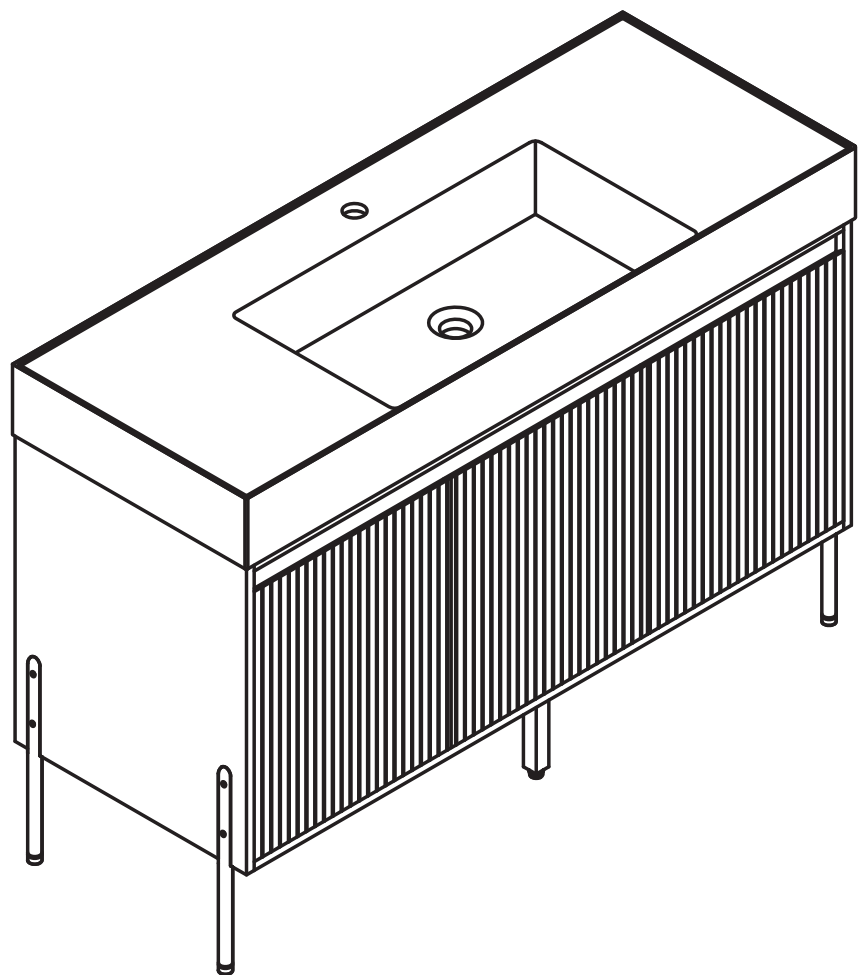


INSTALLATION INSTRUCTIONS

CROWNPOINT VANITY COLLECTION

48"



MODEL# CR48

 **READ ALL INSTRUCTIONS BEFORE UNPACKING THE PRODUCT**

INSTRUCTIONS THAT, IF IGNORED, COULD RESULT IN DEATH OR SERIOUS INJURY CAUSED BY INCORRECT HANDLING OR INSTALLATION OF THE PRODUCT. THESE INSTRUCTIONS MUST BE OBSERVED FOR SAFE INSTALLATION.

CAUTION!  **TWO PERSON LIFT REQUIRED**

TWO (2) PEOPLE ARE REQUIRED TO LIFT DURING ENTIRE INSTALLATION PROCESS OF THIS PRODUCT.


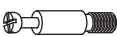






 **INSTALLATION OF THIS PRODUCT BY AN INEXPERIENCED INSTALLER MAY RESULT IN PERSONAL INJURY OR DEATH!** 





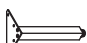




We reserves the right to change, update, modify, alter, redesign this manual/product or its policies without prior notice! It is your responsibility to visit the website to download or contact customer service for the most updated version of the installation instructions.

We shall not be liable for any injuries or property damages in connection with this product during installation or use of this product!

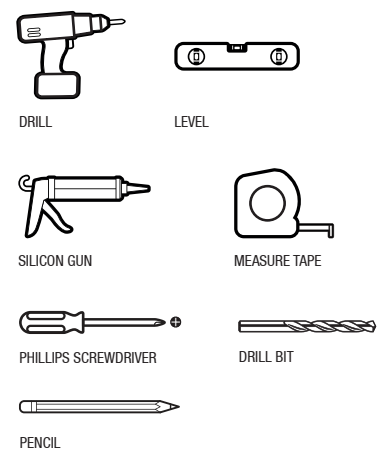
- Limited warranty is void on any commercial installation.
- We are not responsible for local code compliance for this product.
- Building and plumbing codes may vary from state-to-state in accordance to your location.
- We are not responsible for providing any compliance certifications.
- We are not responsible to provide any type of certifications for this product.
- Under no circumstances we shall not be liable for any and all incidental damages sustained in connection with this product Neither manufacture, nor distributor, nor retailer is responsible for water damage or flood caused due to use of this product.
- Under no circumstances We shall not be liable for any and all fees, cost of installation/reinstallation/removal, subsequent damage or transportation in case of the product defect.

COMPONENTS AND HARDWARE

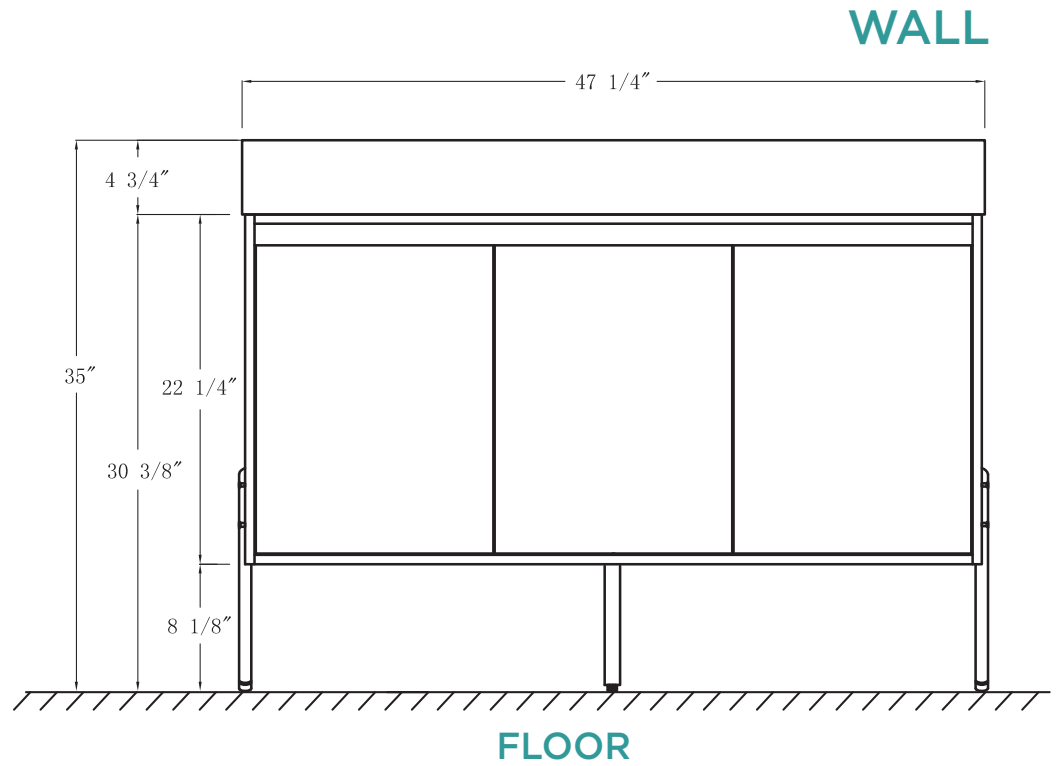
Part A		56 Pieces	Screws Ø4x14mm
Part B		28 Pieces	Two-in-one Connector
Part C		28 Pieces	Two-in-one Connector
Part D		9 Pieces	Wood Plug
Part E		2 Pieces	Plastic Anchor
Part F		2 Piece	Wall Screws
Part G		2 Pieces	Bracket 53*70*44mm
Part H		2 Pieces	Bracket 19*19*35mm

Part I		2 Pieces	Door Stopper
Part J		4 Pieces	Hinges Covered
Part K		2 Pieces	Hinges Half Covered
Part L		4 Pieces	Metal Leg
Part M		1 Piece	Middle Metal Leg
Part N		1 Pieces	Screw Ø4x25mm
Part O		4 Piece	Shelf Support
Part P		4 Pieces	Anti-shock Gasket
Part Q		1 Piece	Angle Screwdriver

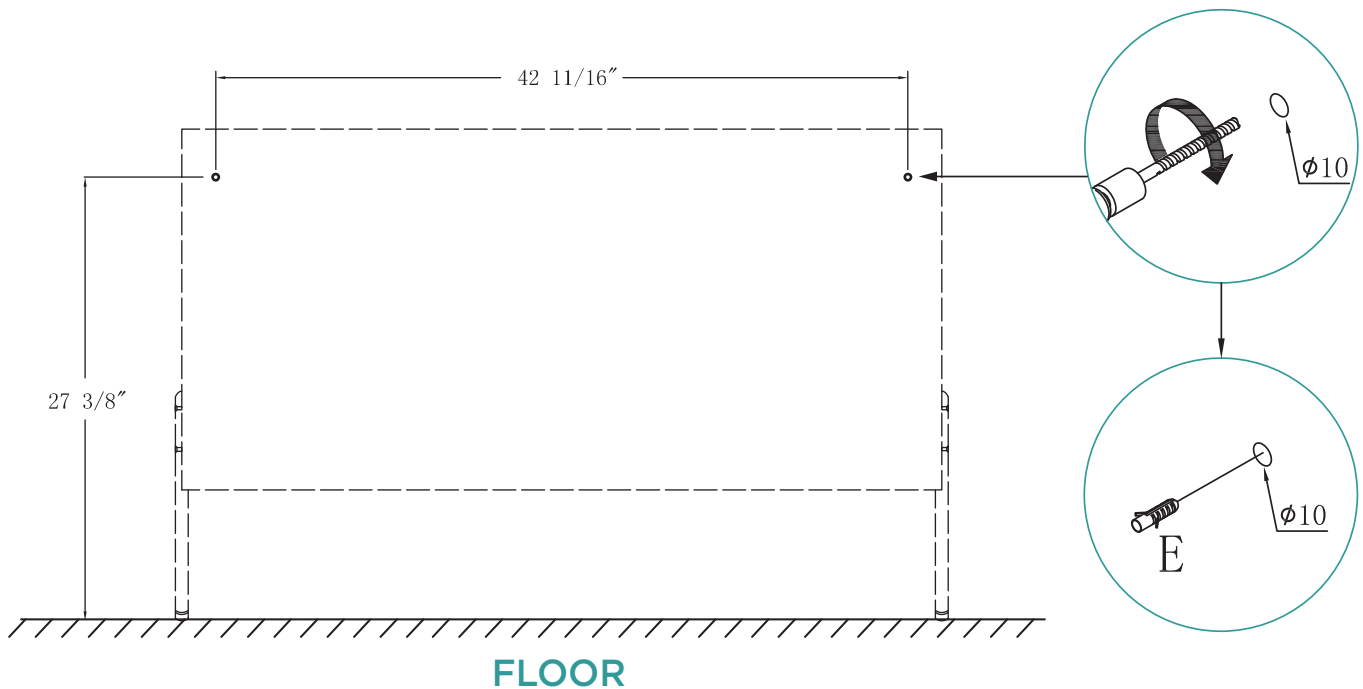
REQUIRED TOOLS



**DIMENSIONS
TECHNICAL DATA
MODEL# CR48**



DRILLING MEASUREMENTS



1

Part: B x5
Part: C x5
Part: Q

2

Part: B x2
Part: C x2
Part: D x1
Part: N x1
Part: Q

3

Part: B x3
Part: C x3
Part: Q

4

Part: B x7
Part: C x7
Part: D x3
Part: Q

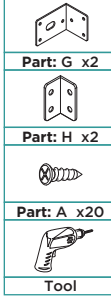
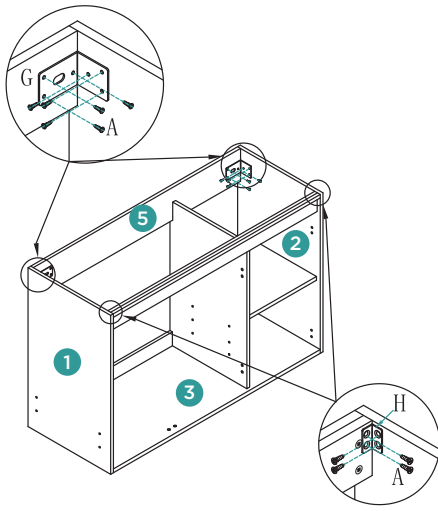
5

Part: B x2
Part: C x2
Part: D x1
Part: Q

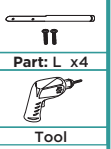
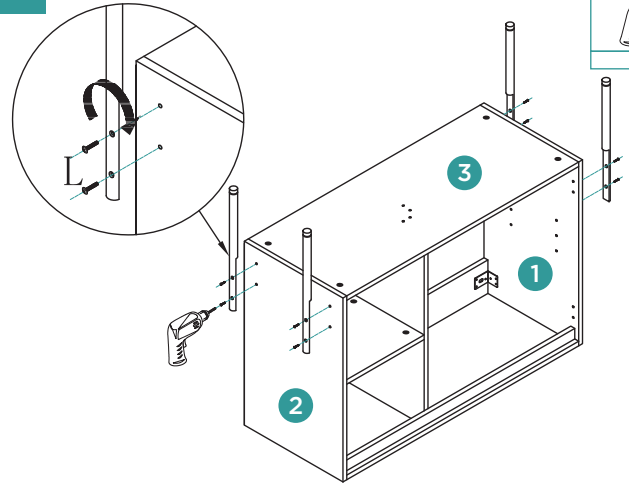
6

Part: B x9
Part: C x9
Part: D x4
Part: Q

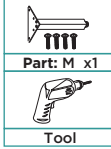
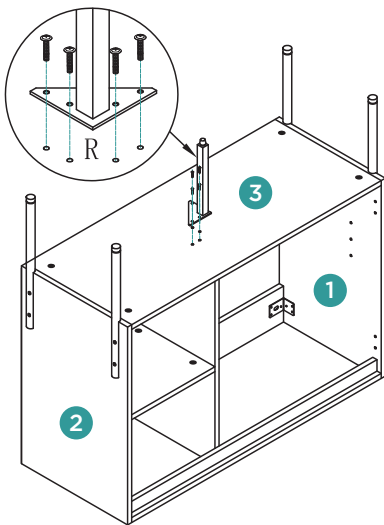
7



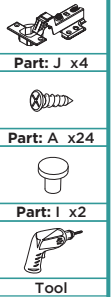
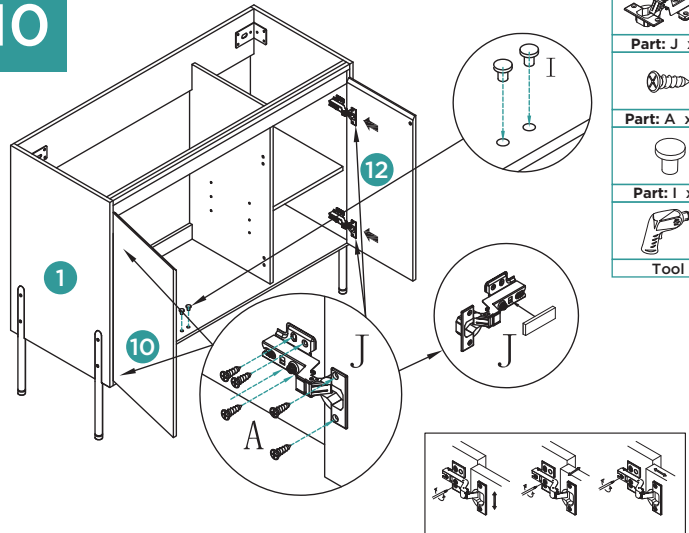
8



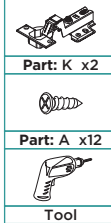
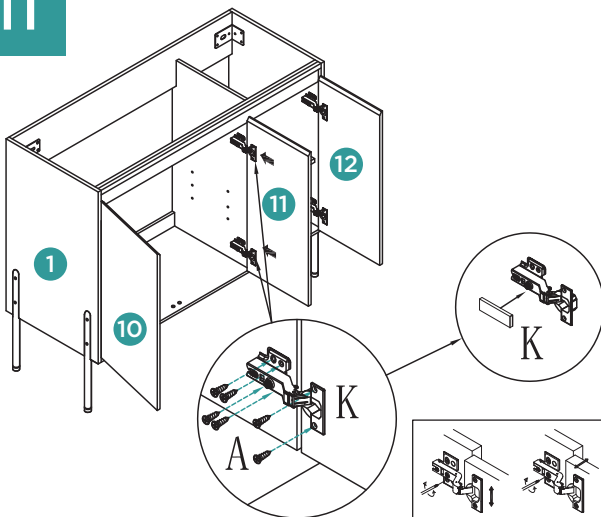
9



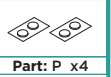
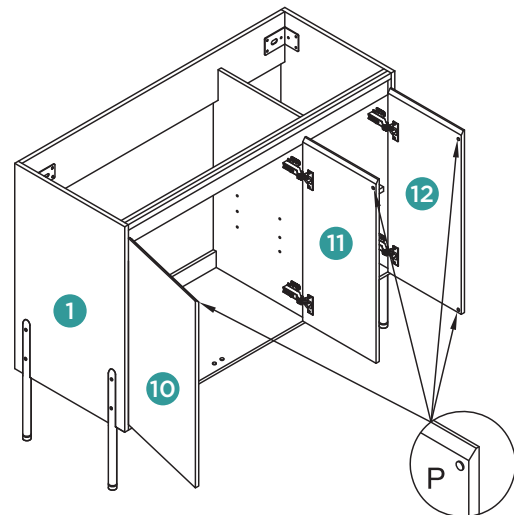
10



11

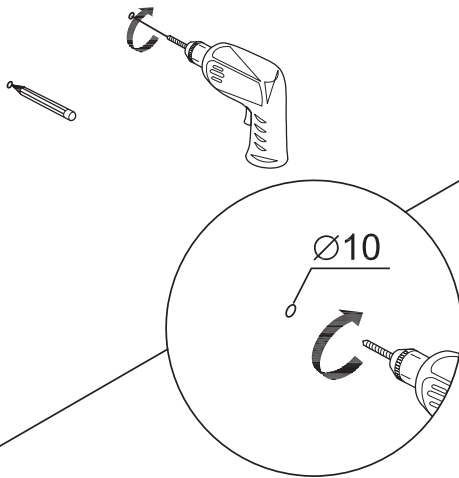


12

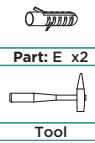


13

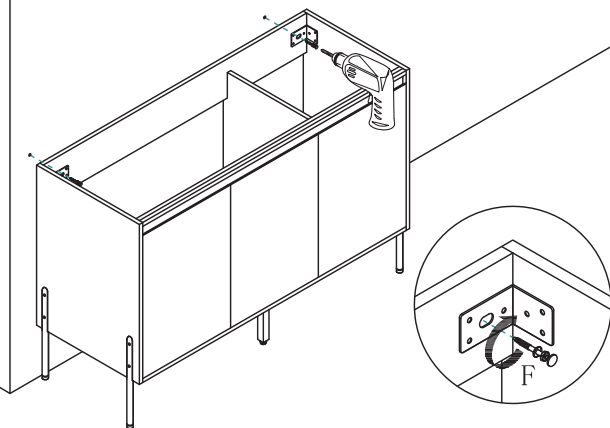
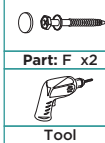
See page 3 for
drilling measurements.



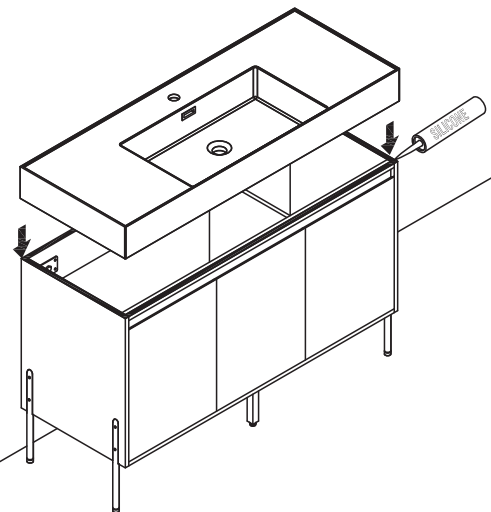
14



15



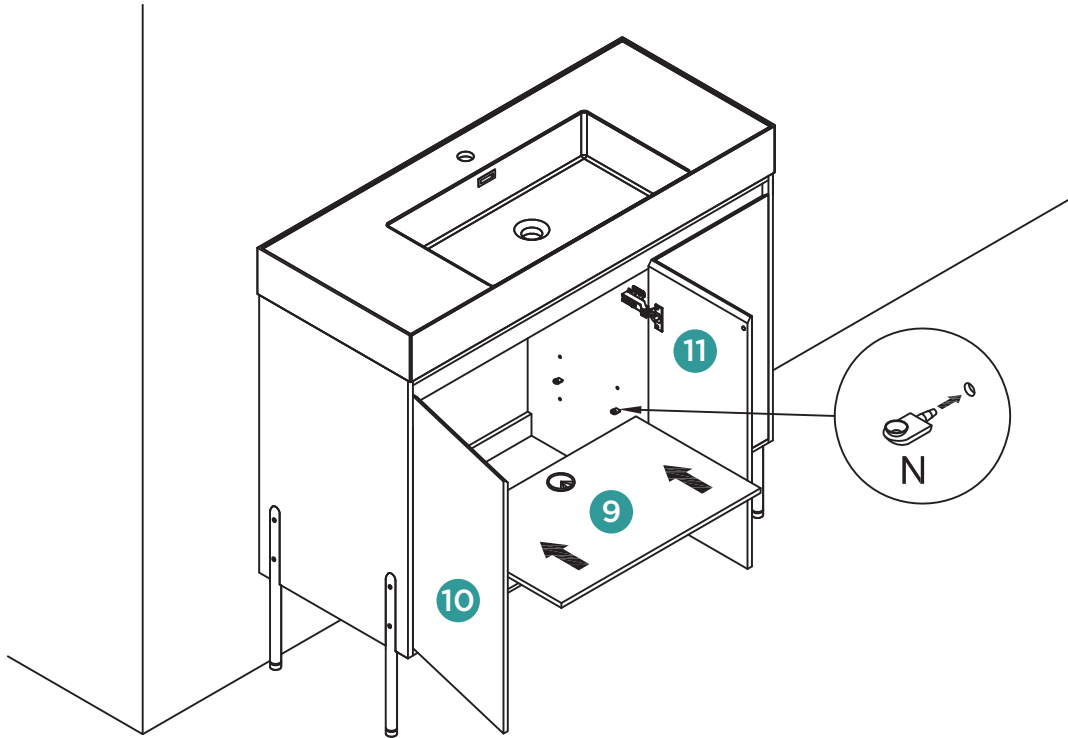
16



17

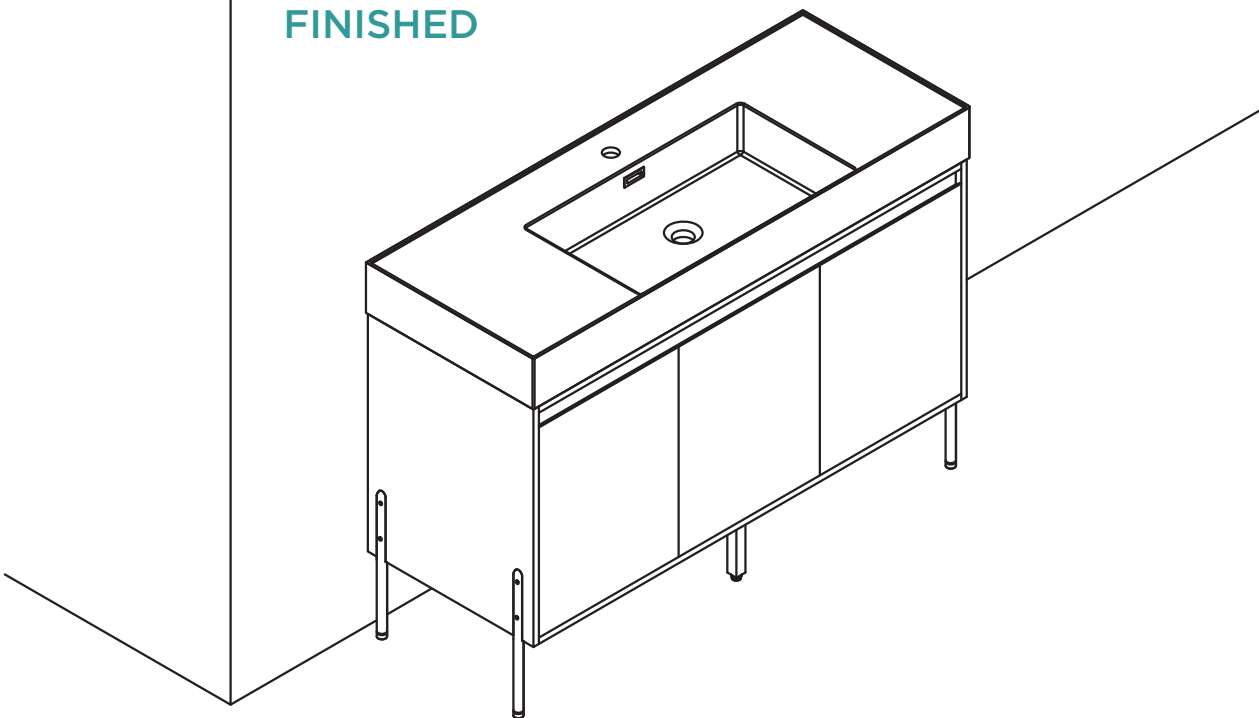


Part: O x4



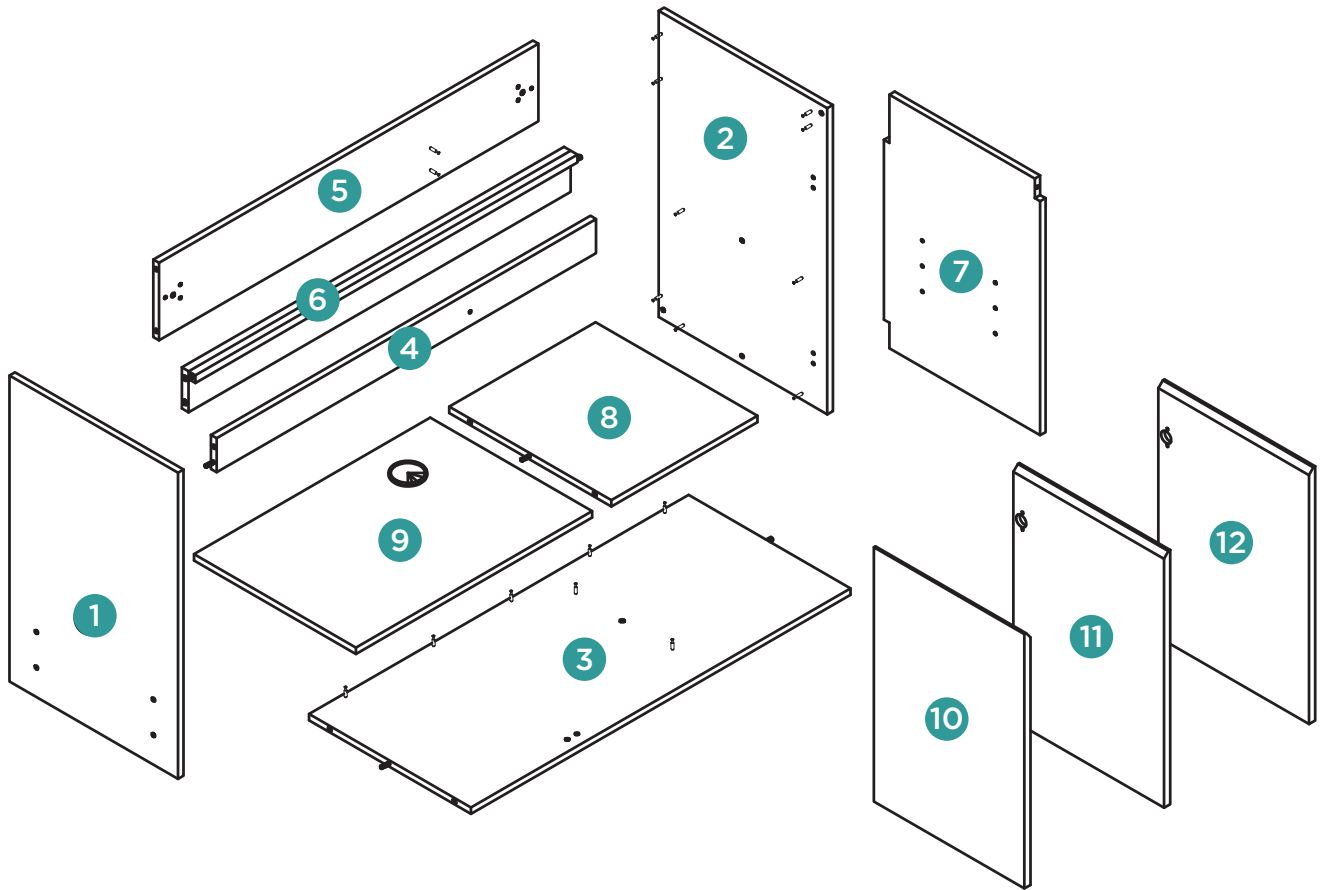
18

FINISHED





REPLACEMENT PARTS



206 WEMBLY ROAD - NEW WINDSOR, NY 12553
P: 718.602.6060 F: 718.963.2082 - E: INFO@FINEFIXTURES.COM
TOLL FREE: 1.877.8FIXTURES
FINEFIXTURES.COM

