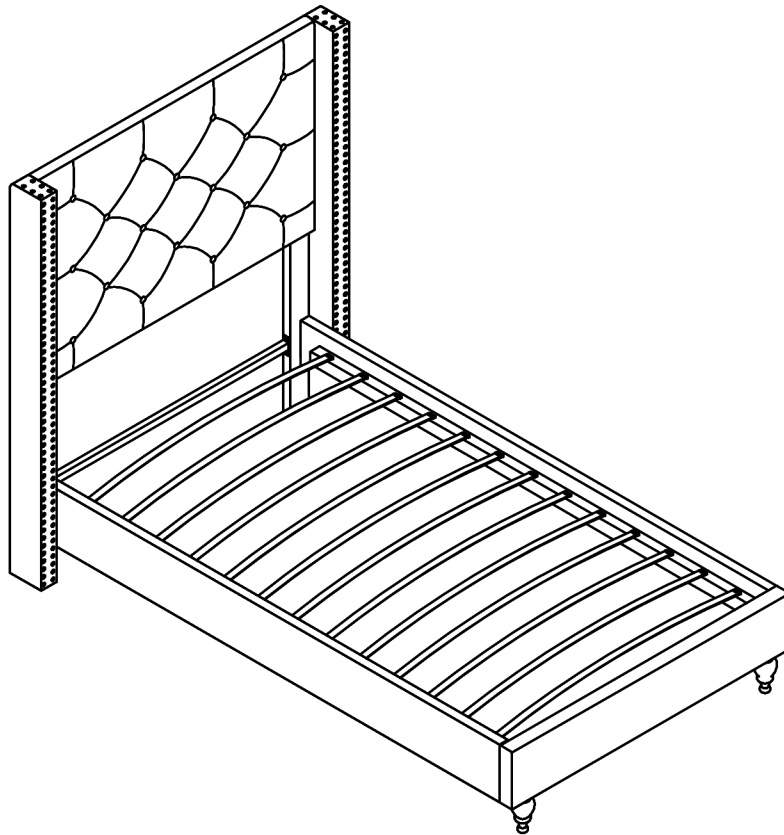


# Assembly Instructions



## ASSEMBLY RATING

The Assembly Rating is a 5-point system that shows the degree of effort needed in assembling a specific product (with 1 being easy and 5 being difficult). For some products, two persons are recommended.

EASY  DIFFICULT

## Tools Required For Assembly:

Allen Wrench

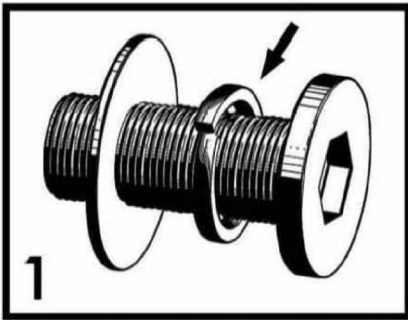


2 PERSONS RECOMMENDED

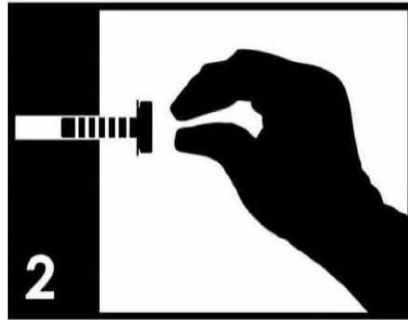
# ASSEMBLY & CARE ADVICE

FOR YOUR FURNITURE TO LAST, CORRECT ASSEMBLY AND PROPER MAINTENANCE ARE NECESSARY. PLEASE FOLLOW THE INFORMATION PROVIDED BELOW TO FULLY ENJOY YOUR FURNITURE.

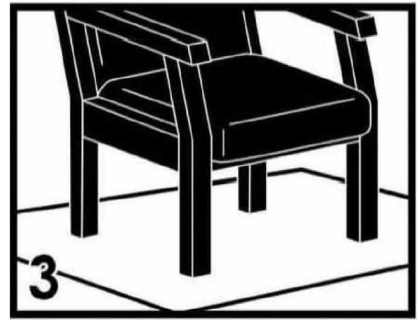
## BASIC ASSEMBLY TECHNIQUES



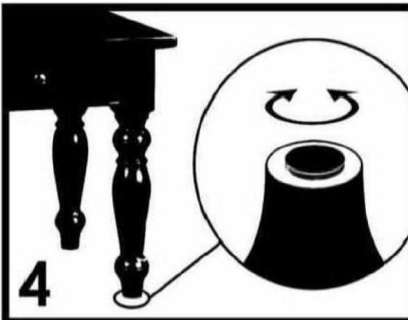
When lock or spring washer is used in an assembly, please make sure the lock or spring washer is placed between the larger flat washer and the head of the screw or bolt.



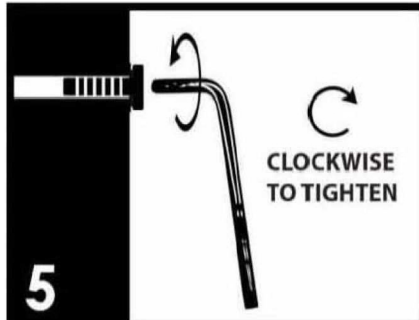
Position each part correctly and insert screws or bolts into their respective holes by hand tighten or using the proper hand tool. Only tighten when step is completed or when instructed to do so.



Use cardboard or carpet area when assembling furniture to prevent scratches. Make sure the furniture rests on a flat and level surface with each leg evenly touching the floor.



Some furniture comes with height adjustment knobs underneath each leg. To lower or to raise each leg, you need to turn clockwise or counterclockwise, respectively.



Make sure all parts are properly aligned, then use the appropriate hand tool to completely tighten the bolts or screws. Do not use power tools and do not overtighten.

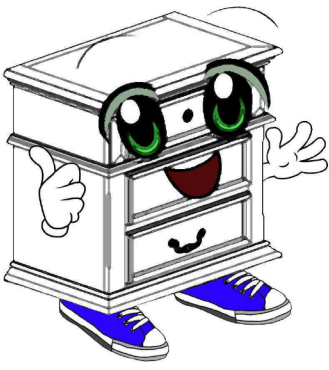


Save the instructions and store the Allen wrench or any supplied tool for later maintenance. After two weeks, check and tighten any loose hardware and repeat again every six months thereafter.

IT IS THE USER'S RESPONSIBILITY TO MAINTAIN THE FURNITURE. THE HARDWARE MAY LOOSEN OVER TIME AND MAY CAUSE THE FURNITURE TO BE WOBBLY AND UNABLE TO SUPPORT ITS INTENDED WEIGHT CAPACITY. THIS MAY LEAD TO COLLAPSE AND MAY CAUSE SERIOUS INJURY.



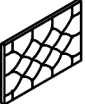







**FAILURE TO FOLLOW THE GUIDELINES ABOVE MAY RESULT IN INJURY AND/OR PROPERTY DAMAGE.**











Before you begin, please read Page 2 of "Assembly and Care Advice".

And remember, do not tighten until each step is completed or instructed.

### Parts List

	#1 x 1pc Headboard
	#2 x 1pc Footboard
	#3 x 2pcs Side Rail
	#4 x 2pcs Wings (L & R )
	#5 x 2pcs (L & R) HB leg
	#6 x 2pcs FB feet
	#7 x 13pcs Slats
	#8 x 1pc HB Leg Support

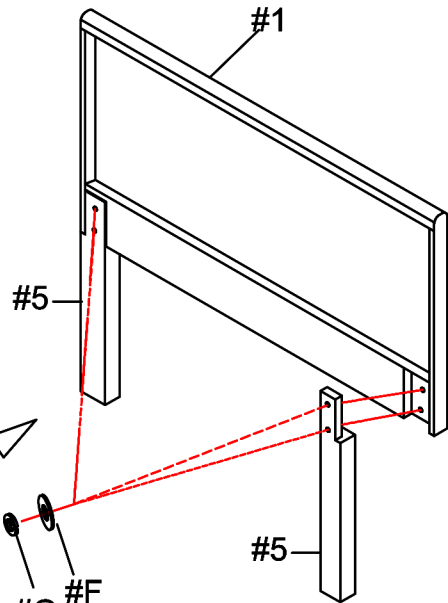
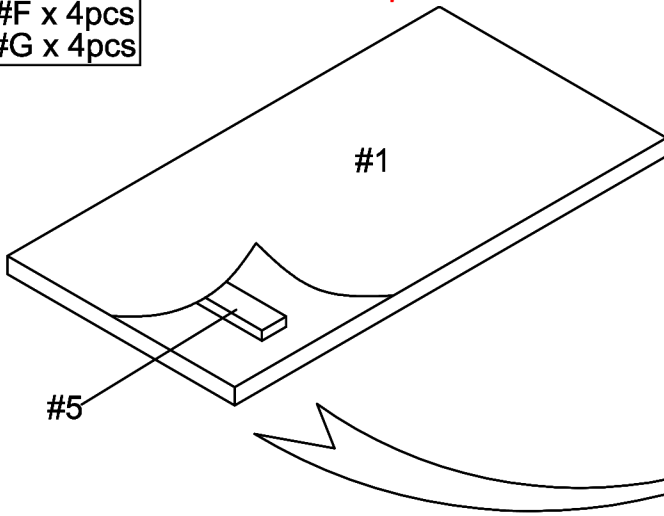
### Hardware List

	#A x 1pc Allen Wrench
	#B x 12pcs Bolt Ø5/16"X1-1/2"
	#C x 8pcs Bolt Ø5/16"X2"
	#D x 2pcs Bolt Ø5/16"X4"
	#E x 12pcs Flat Washer Ø5/16"X19MM
	#Fx 10pcs Flat Washer Ø5/16"X22MM
	#G x 22pcs Lock Washer
	#H x 26pcs End Cap

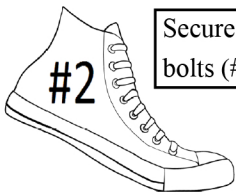
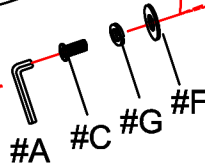


1) Remove headboard legs (#5) from the back compartment of the headboard (#1).

#C x 4pcs  
#F x 4pcs  
#G x 4pcs

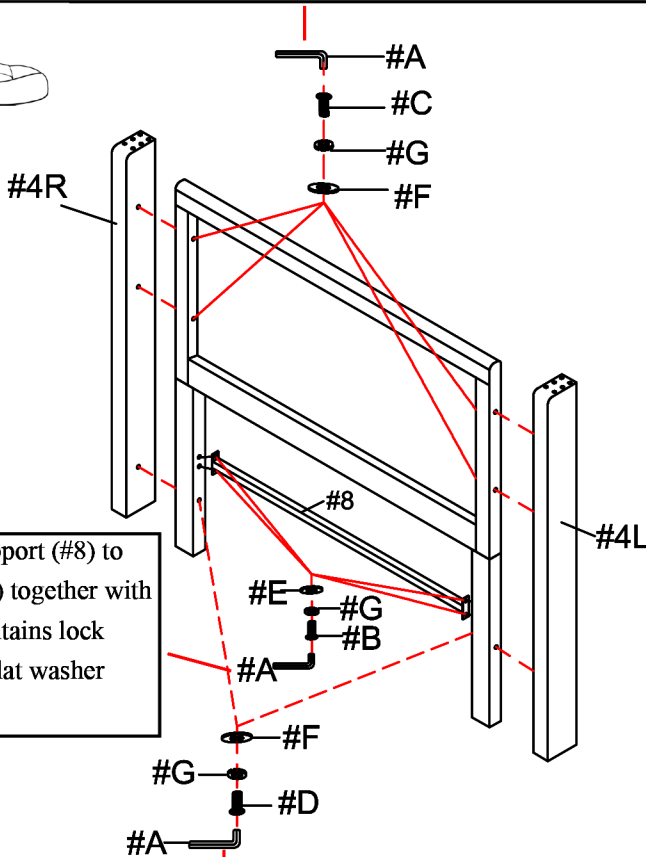


2) Prepare 4 bolts assembly by inserting lock washer (#G), then flat washer (#F) onto bolts (#C). Align headboard legs (#5) to the holes of the headboard (#1), then secure with bolts (#C).



Secure top holes of the headboard (#1) and wings (#4) together with bolts (#C) that contains lock washer (#G) and flat washer (#F).

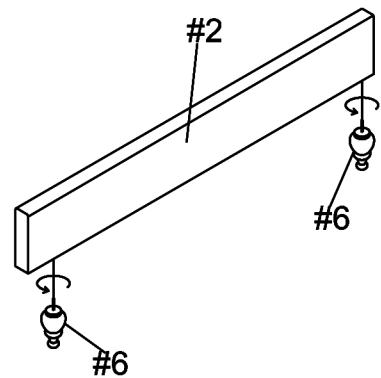
#Bx 4pcs  
#Cx 4pcs  
#D x 2pcs  
#E x 4pcs  
#Fx 10pcs  
#Gx 10pcs



Secure HB leg support (#8) to the headboard (#1) together with bolts (#B) that contains lock washer (#G) and flat washer (#E).

Secure bottom holes of the HB legs (#5) and wings (#4) together with bolts (#D) that contains lock washer (#G) and flat washer (#F).

Attach footboard legs (#6) onto the footboard (#2).

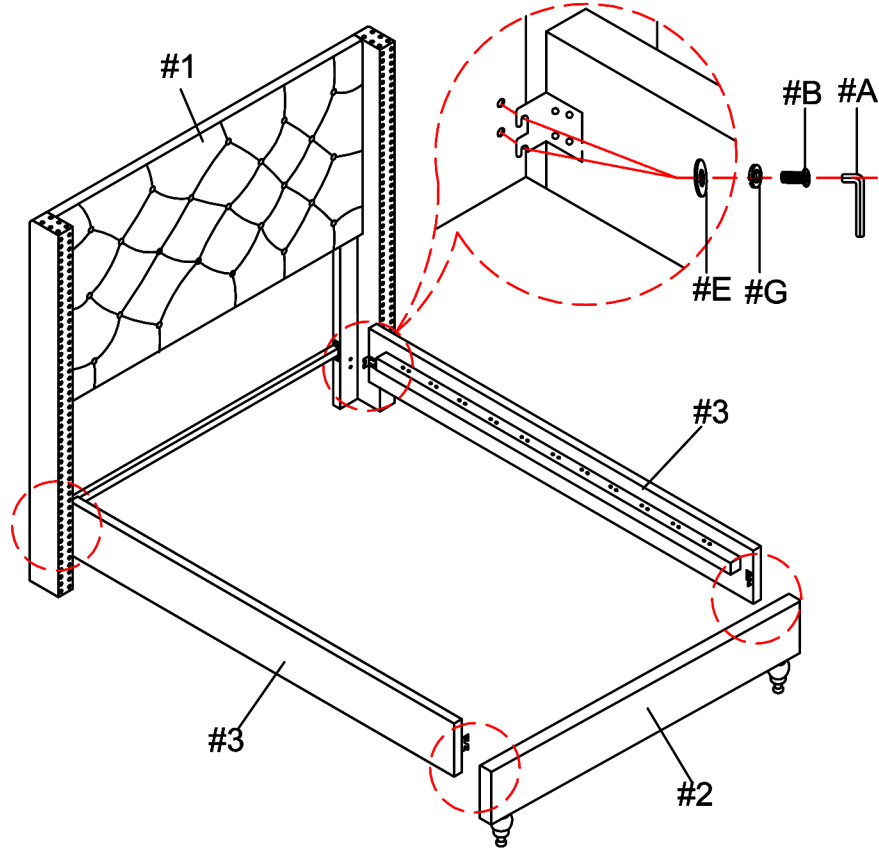




#3

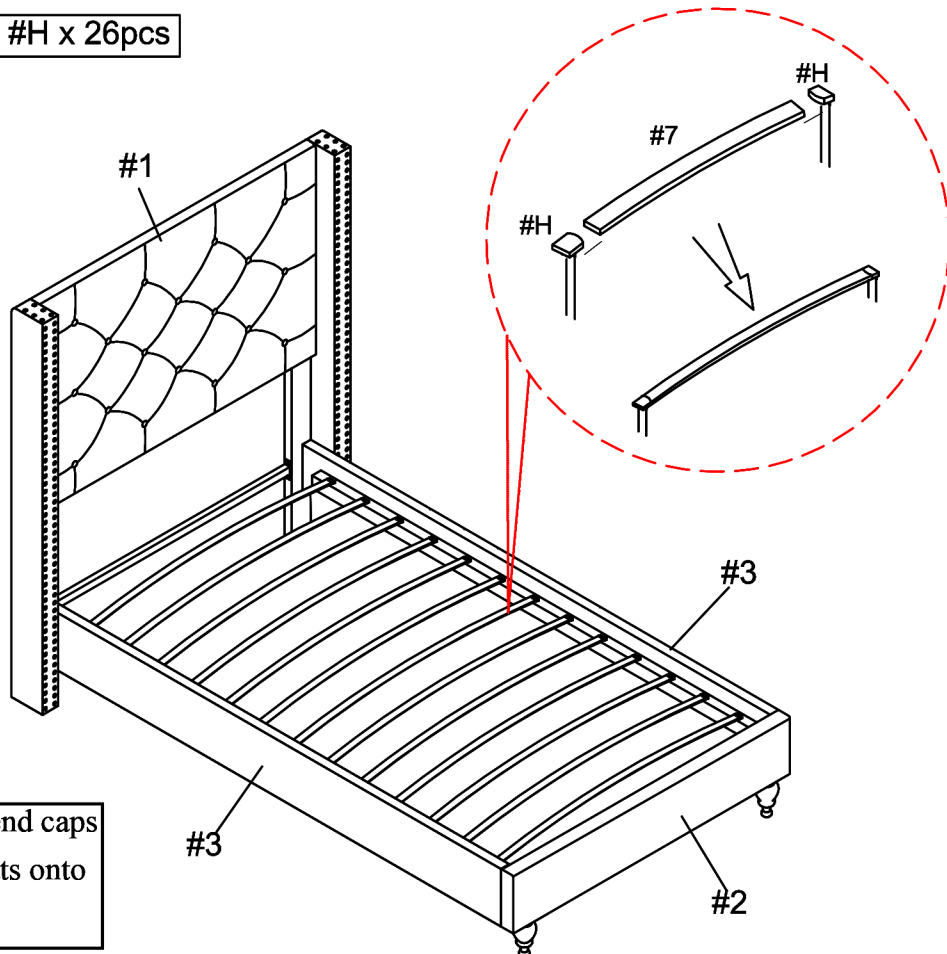
Align side rails (#3) to the holes of the headboard (#1) and footboard (#2), then secure bolts (#B) that contains lock washer (#G) and flat washer (#E).

#B x 8pcs  
#E x 8pcs  
#G x 8pcs



#4

#H x 26pcs



Attach slats (#7) with end caps (#H), then place the slats onto the side rails (#3).