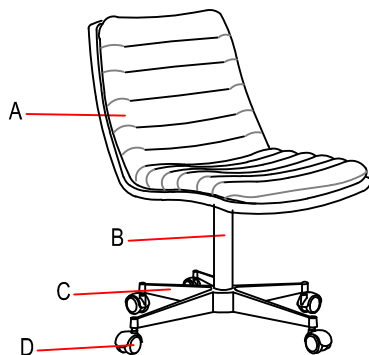


# DINING Chair Assembly Instruction

## PART LIST

- A [1] Chair frame
- B [1] Axis
- C [1] Base
- D [5] Casters



## Tools needed

-Allen Key (Provided)

NO.		Description		Q'TY
1		Hex Bolt	M8x25MM	4 pcs
2		Rubber Washer	M8xØ20mm	4 pcs
3		Flat Washer	M8xØ20mm	4 pcs
4		Spring Washer	Ø8mm	4 pcs
5		Allen Key	6mm	1 pc

## ASSEMBLY INSTRUCTION

- Note:**
- Chair must be assembled by at least two people.
  - Please read instructions carefully before assembling chair.
  - Use the above parts and fittings list to identify each component.
  - Keep all packing materials until assembly is completed to avoid loss of smaller parts.

### STEP 1:

- 1.Lay down above parts on a protective surface to prevent damage Put Axis into the base.
  - 2.Back side is facing up.Align the holes on the metal plate of the axis (B) with the threaded holes on underneath of the chair frame (A). Attaching the axis (B) to chair frame (A) by inserting the hex bolts (1) with the rubber washer (2),spring washers (4), flat washers (3). Tighten by Allen key (5) provided.
- NOTES: The metal plate on top of the base is slant, when attaching the base to the chair frame, making sure the lower end towards to the back of the chair frame, and the upper end towards to the front of the chair frame as shown in diagram.

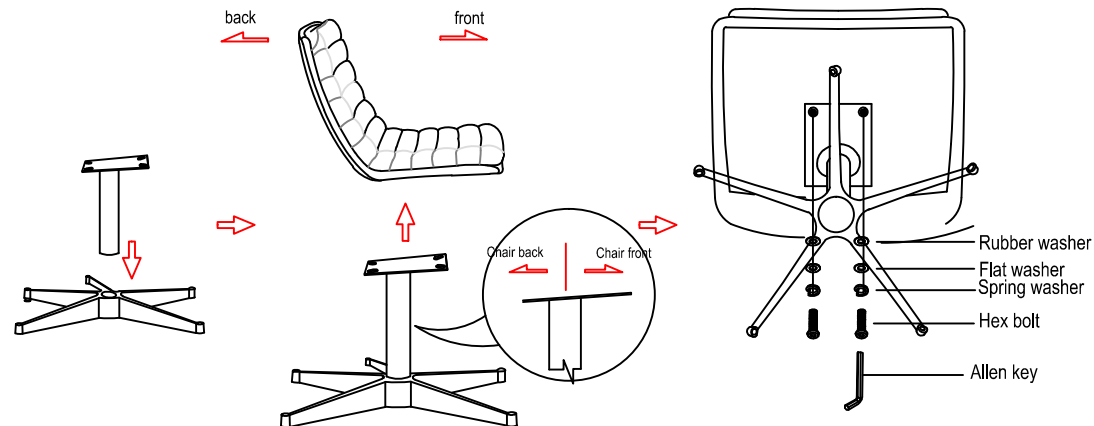
### STEP 2:

- 1.Place the ports on the casters into the corresponding holes on the base (as shown as in diagram) .

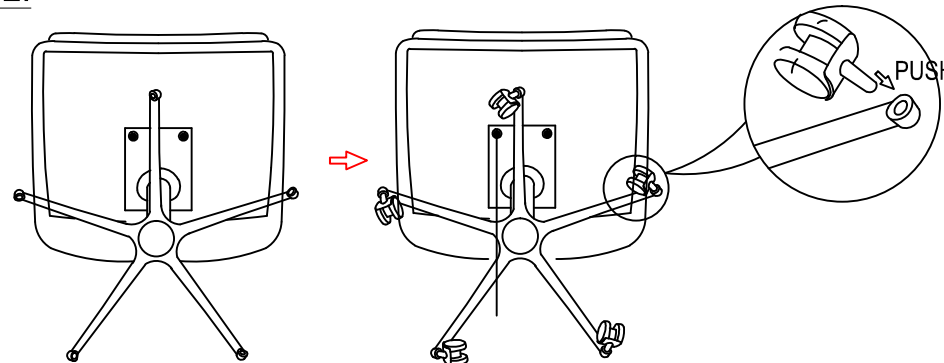
### STEP 3:

1. Stand the assembled chair upright.
2. The Chair assembly is complete.

## STEP 1:



## STEP 2:



## STEP 3:



Thank you for your purchase