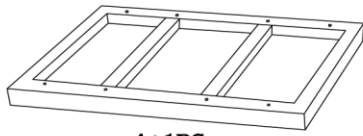


ASSEMBLY INSTRUCTION



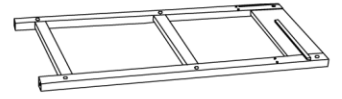
A*1PC



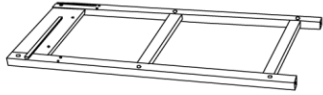
B*1PC



C*1PC



D*1PC



D1*1PC



E*1PC



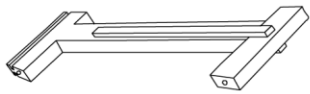
F*1PC



G*1PC



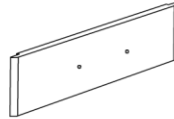
H*1PC



I*1PC



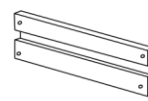
L*2PCS



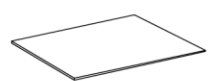
M*2PCS



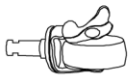
N*2PCS



O*4PCS



P*2PCS



Q*2PCS



R*2PCS



S*2PCS



T*12PCS



U*4PCS



V*8PCS



W*16PCS



X*4PCS

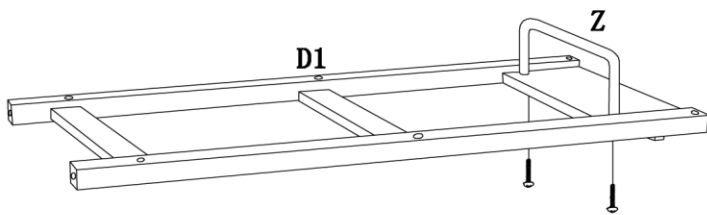


Y*1PC

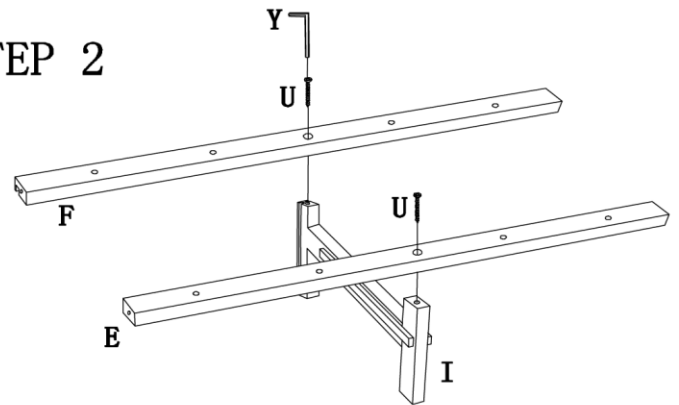


Z*1PC

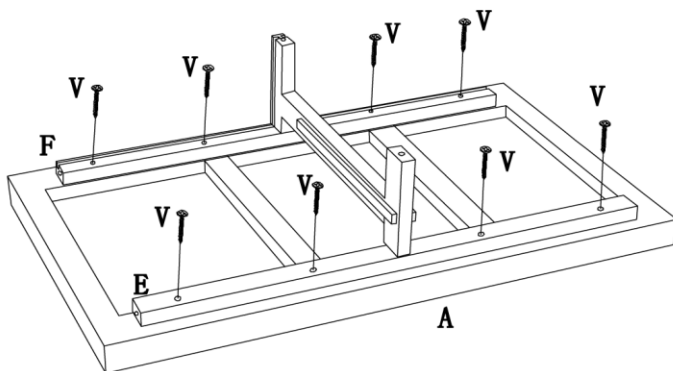
STEP 1



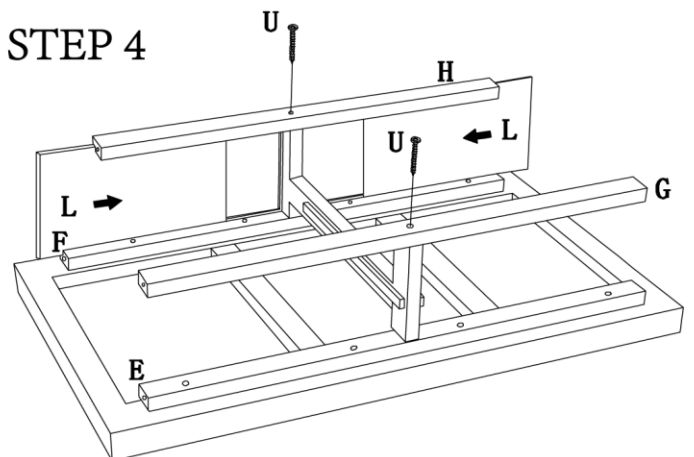
STEP 2



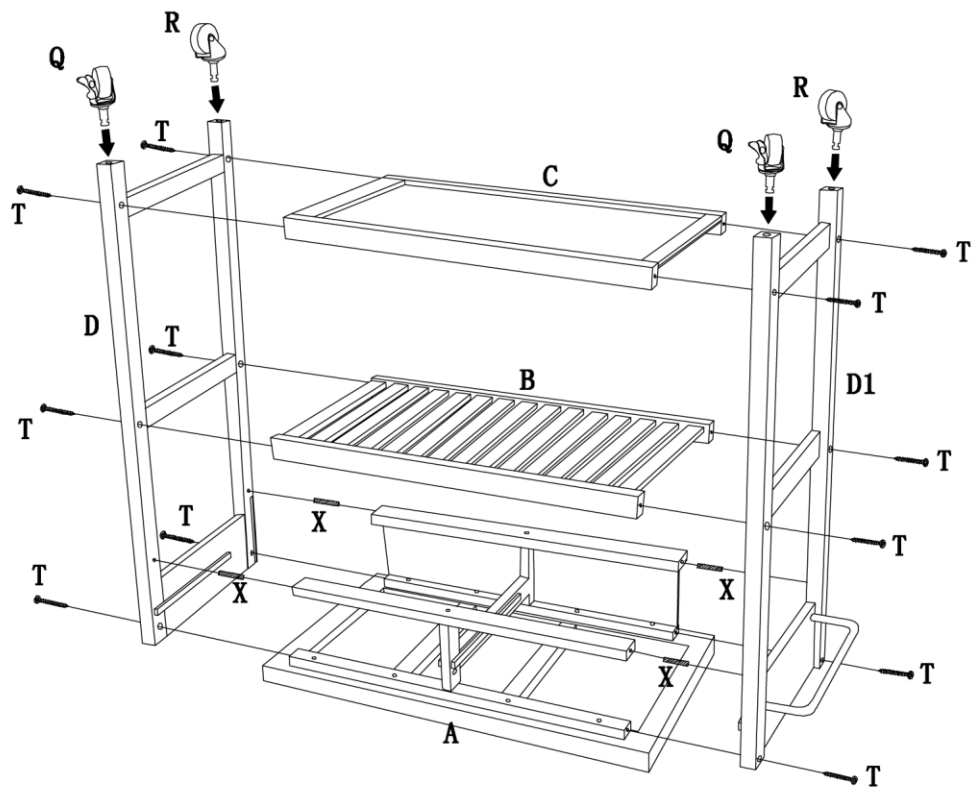
STEP 3



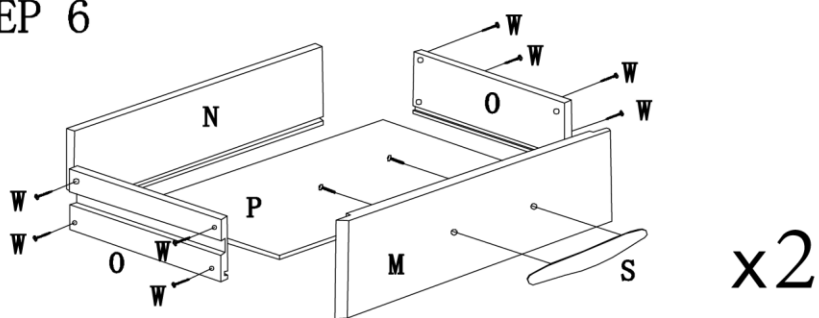
STEP 4



STEP 5



STEP 6



STEP 7

