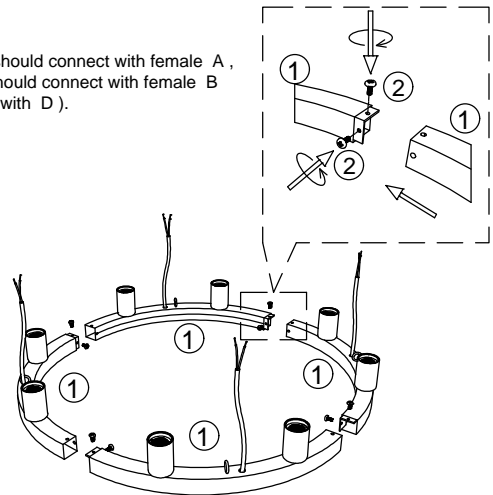
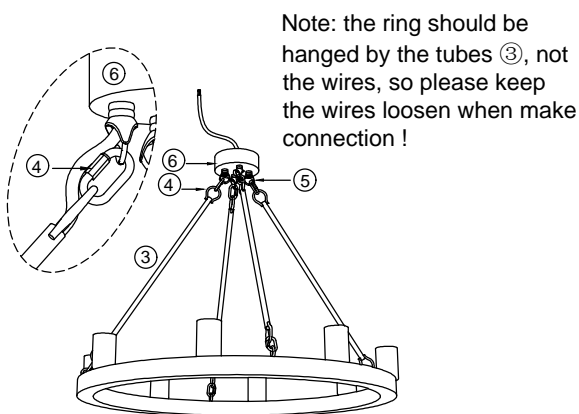


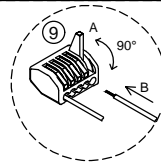
Note: male A should connect with female A, male B should connect with female B (C with C, D with D).



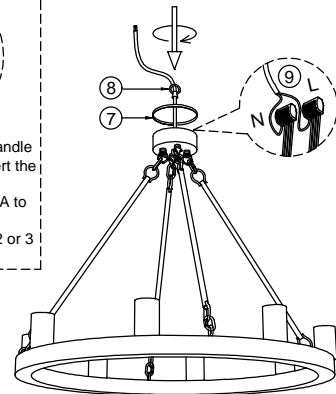
1. Assembled the split parts ① to a completely ring fixture like picture showed, pushed the split parts and fix with bolt screw ②.



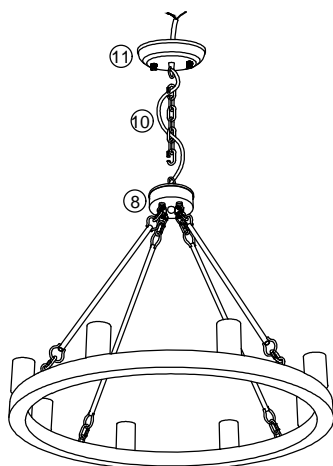
2. Let the wire go through the connected tube ③, hang the ring ① to the junction box ⑥ with carabiner hook screw connection ④, let the wire go through the junction box ⑥.



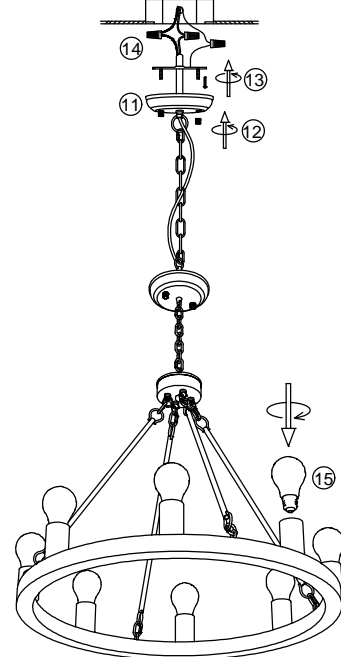
1. Pull the orange operating handle A to open the inlet hole, insert the wire B.
2. Press the operating handle A to finish wiring.
(Note: one inlet hole can put 2 or 3 wires inside)



3. Connect all the wires by parallel with splicing connector ⑨ (all live line-L use one connector, and neutral Line-N use another connector).
4. Let the wire go through the cover ⑦ and hanging ring ⑧, rotate ring 8 to fix the cover ⑦ to the junction box ⑥.



5. Connect the canopy ⑪ and the light fixture ⑧ with chain ⑩.



6. Install the bracket to the ceiling junction box with screw ⑬.
7. Connect the wire to your home line with cap connectors ⑭.
8. Install the fixture to the bracket with cap nuts ⑫.
9. Install the bulb ⑮.

Please read carefully before installation!!!

Note : Please make sure that the electricity is powered off during installation !

Only a professional electrician should install this kind of product !