



**Heartlands Furniture**  
Wholesale Ltd

## ASSEMBLY INSTRUCTIONS

MODEL NAME: FUSION FABRIC STORAGE BED

### Important

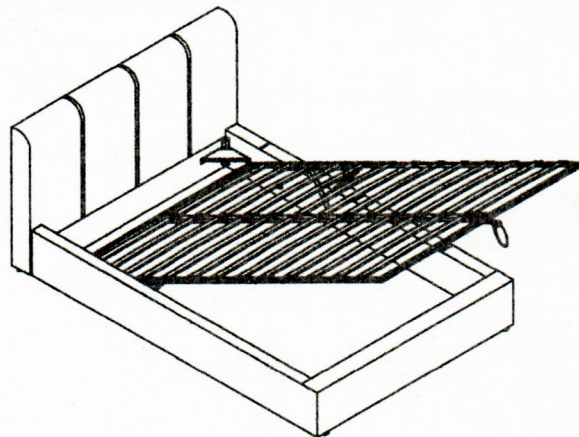
Please inspect all items carefully before assembling.  
If for any reason you need to return this  
item, you must return it in its original packaging.

**Assembled items cannot be returned**

Parts and hardware are  
inside headboard, please  
open zip from headboard

Minimum No. of people  
recommended to assemble  
this product: 2

Approx assembly time:



### HELPFUL ADVICE PRIOR TO ASSEMBLING THE BED

- 1) Owing to the size and weight of the bed, we recommend that it is assembled by two adults, on a flat surface, in the room that it is intended for.
- 2) Please do not use any tools other than those provided or recommended in these instructions.
- 3) Please do not discard any packaging until you have checked that you have all the parts and fittings. Keep all fittings out of reach of children.
- 4) Assemble all parts loosely until advised to tighten. Depending on use, it may be necessary to tighten the fittings from time to time, so please save your allen key and spanner that has been provided.

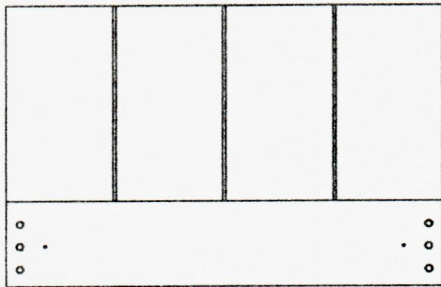
### WARNINGS

- 1) Please ensure children do not play in the storage area or try to lift up the metal frame.
  - 2) Once assembled, put mattress on frame before pushing it down and only lift up or push down the metal frame with mattress on top.
  - 3) Please do not stand on the storage base at any time.
- Do not throw away any of the packing or the instruction book until you have checked all the components and fittings and the furniture is fully assembled.

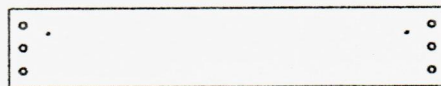
### How to use Bed

When the bed is fully assembled, lift the frame up using strap provided, to close the frame you will need to place both hands on the metal bar at the foot end of the frame that is in the air (one hand in the centre of each of the two rows of slats). The bed will only work if this is done centrally, apply pressure to close the bed, do not try to close from the side or any other way. Please also note the gas lift arms do not move up and down on their own and only work if the bed is fully assembled and assembled correctly.

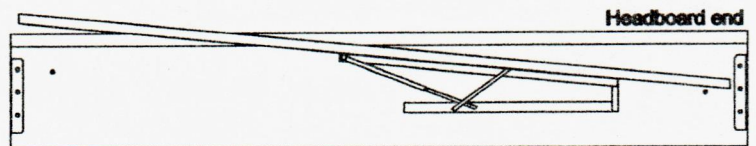
# Components



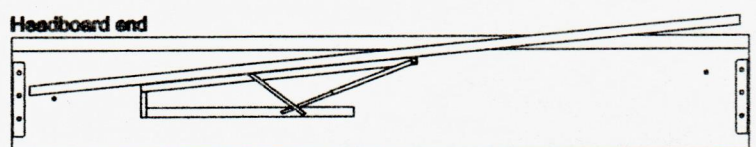
Headboard **1**



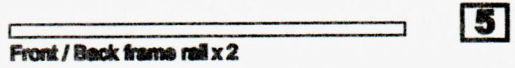
Footboard **2**



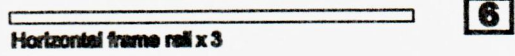
Left side rail **3**



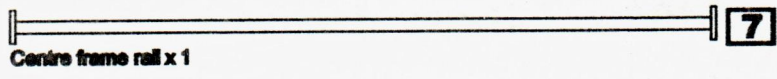
Right side rail **4**



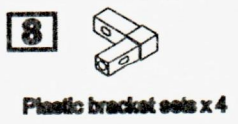
Front / Back frame rail x 2 **5**



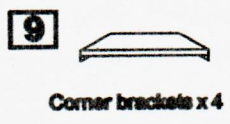
Horizontal frame rail x 3 **6**



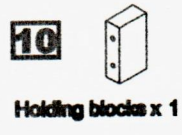
Centre frame rail x 1 **7**



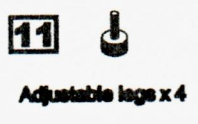
Plastic bracket sets x 4 **8**



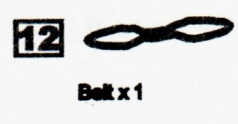
Corner brackets x 4 **9**



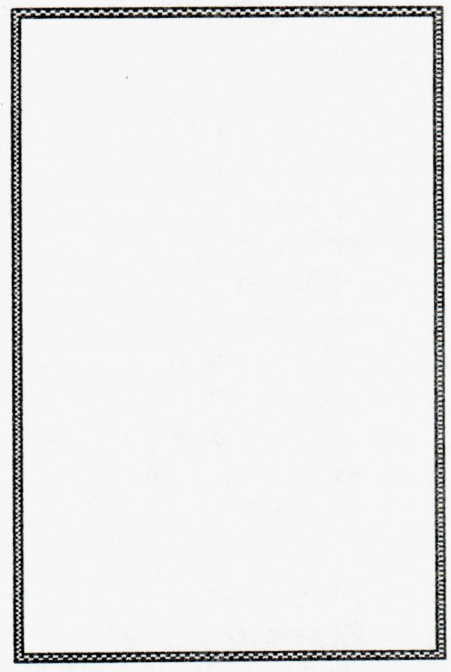
Holding blocks x 1 **10**



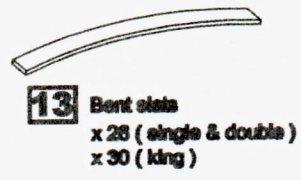
Adjustable legs x 4 **11**



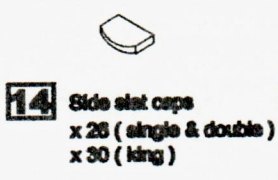
Belt x 1 **12**



Woven fabric x 1 **16**



Bent slats  
x 26 (single & double)  
x 30 (king) **13**










Side slat caps  
x 26 (single & double)  
x 30 (king) **14**

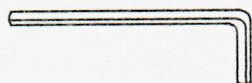


Centre slat caps  
x 13 (single & double)  
x 15 (king) **15**

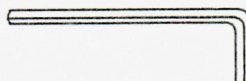
# Components - Fittings

<p><b>A</b>  25mm M8 Bolt x 12</p>	<p><b>B</b>  15mm M6 Bolt x12</p>	<p><b>C</b>  Flange nut x 2</p>
<p><b>D</b>  30mm M6 Bolt x 6</p>	<p><b>E</b>  68mm M6 Bolt x 2</p>	
<p><b>F</b>  Spring washer x 12</p>	<p><b>G</b>  Flat washer x 12</p>	

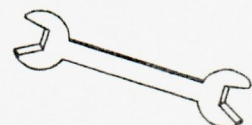
## Tools required (supplied)



5mm Allen key x 1



4mm Allen key x 2



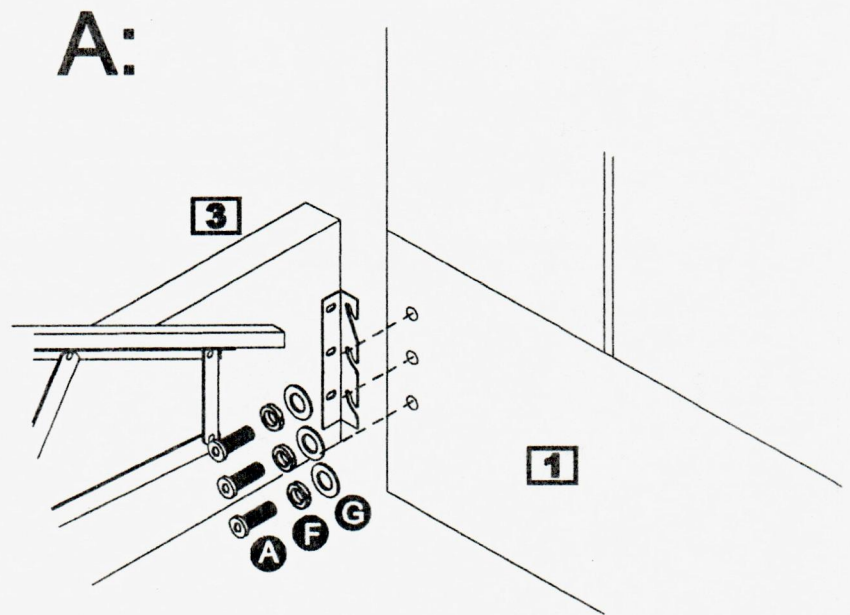
Spanner x 1

# Assembly Instructions

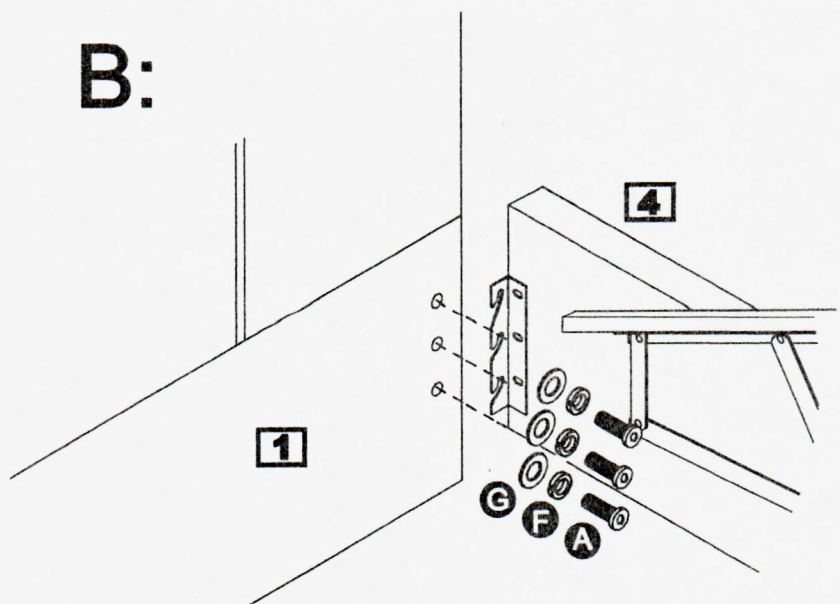
## Step 1:

### Attaching side rails

A: Position left side rail(3) adjacent to headboard(1) so that the holes in the headboard line up with the bracket on the side rail. Secure in place using 3 bolts(A), spring washers (F) and flat washers(G) using the allen key provided.



B: Repeat point a for right side rail(4).

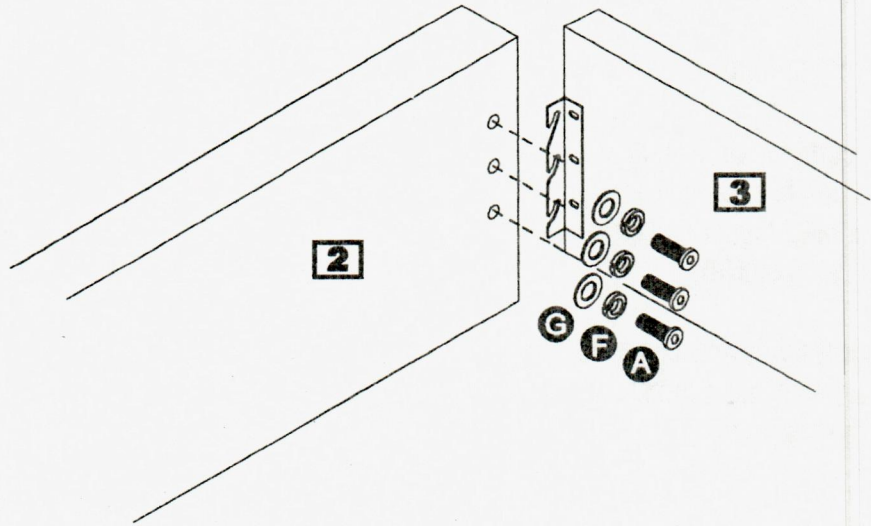


# Assembly Instructions

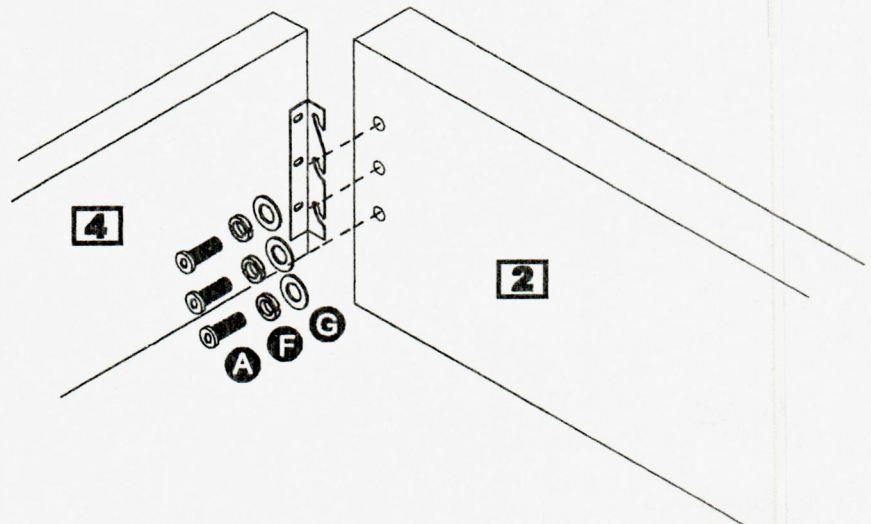
## Step 2:

### Attaching footboard

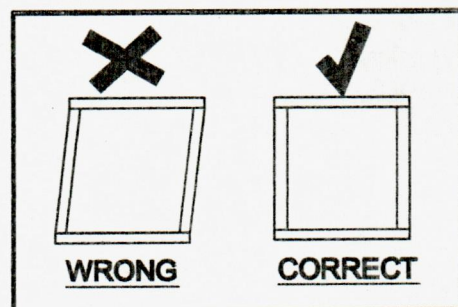
Place footboard (2) in position at the end of the side rails (3) & (4) so the holes in the footboard line up with the brackets on the side rail.



Secure in place using 3 bolts (A), spring washers (F) and flat washers (G) using the allen key provided.



Before tightening the bolts, please ensure the bed frame is square.



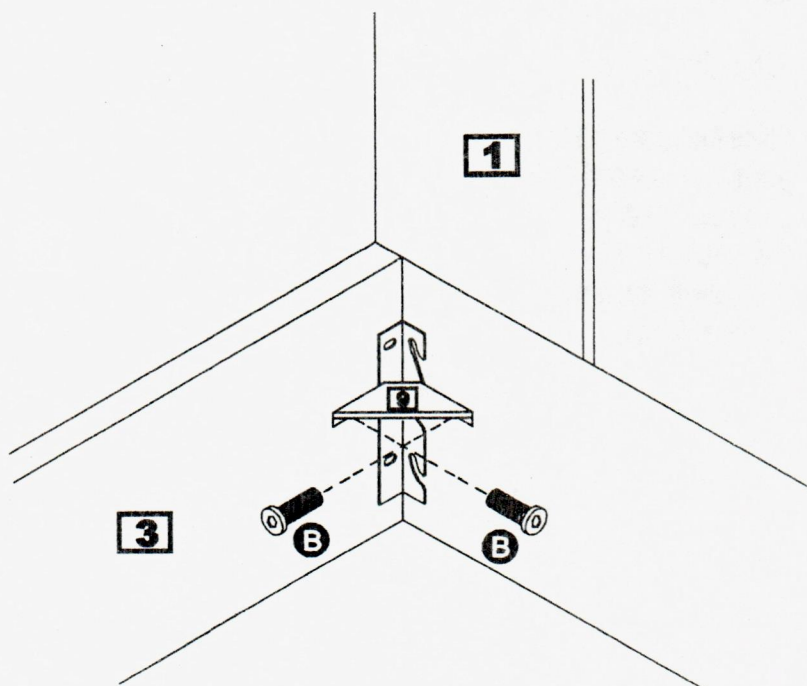
# Assembly Instructions

## Step3:

Fix corner brackets

Fix corner bracket(9) in position between the left side rail(3) and headboard (1) using bolt(B).

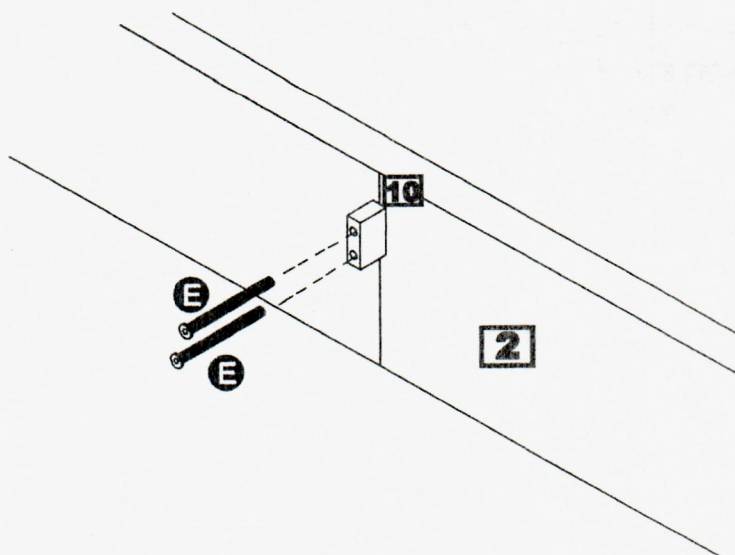
Repeat for other 3 corner brackets in each corner of the bed frame.



## Step4:

Fix holding block

Fix holding block (10) onto footboard (2) using bolt (E) and tighten using allen key.



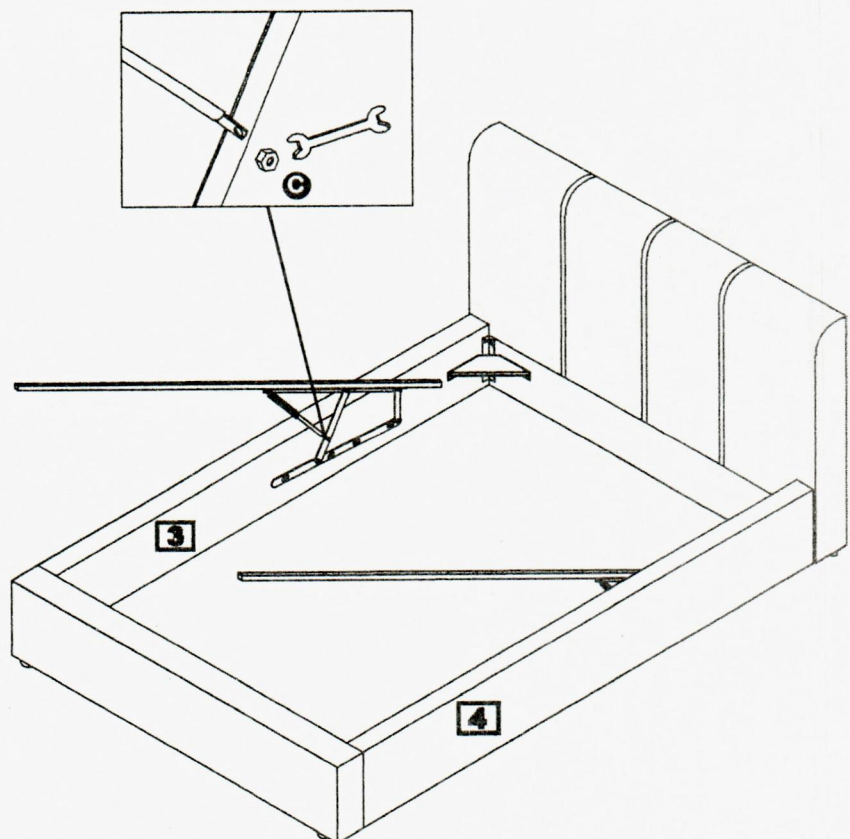
# Assembly Instructions

## Step 5:

### Secure pneumatic arms

Before connecting the pneumatic arms, ensure the lifting mechanism is functioning correctly - it should lift up and down freely with adequate clearance on all sides.

Please ensure the pneumatic arm is the correct orientation. The thinner section should be attached to the side rail, and the thicker part is connected to the slat frame.



**secure the pneumatic lifting mechanisms on the side rails (3) & (4) into place by using flange nuts (C) as shown.**

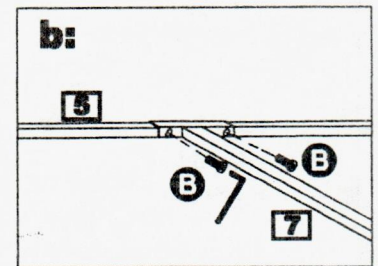
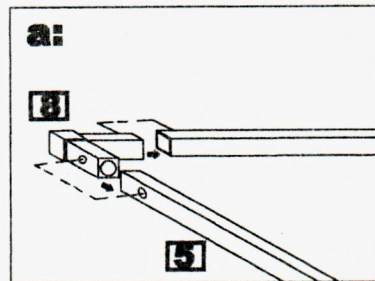
**Do not overtighten the nuts.**

# Assembly Instructions

## Step6:

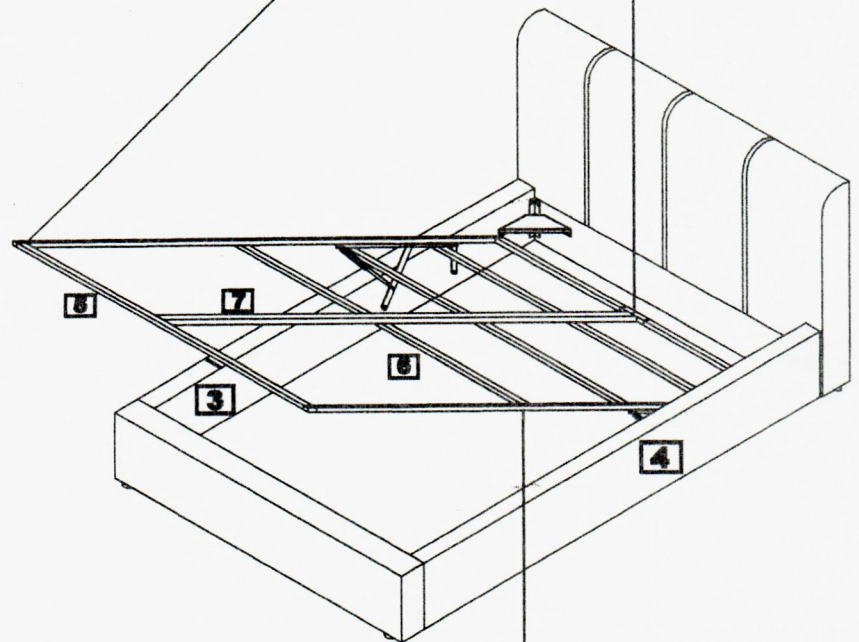
### Assemble slat frame

A: Fix the front/back frame rails(5) to the side support rails which are already attached to the lifting mechanism with plastic brackets (8) .



Repeat on all four corners.

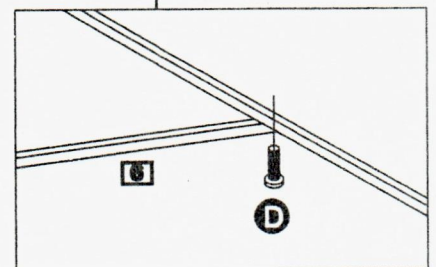
B: Fix centre frame rail (7) to front / back frame rails (5) using bolt (B) and tighten with allen key provided.



## Step7:

### Attach the horizontal supports

Fix the horizontal support rails (6) on the bottom of the lifting mechanism rail using bolts (D) with the allen key provided.

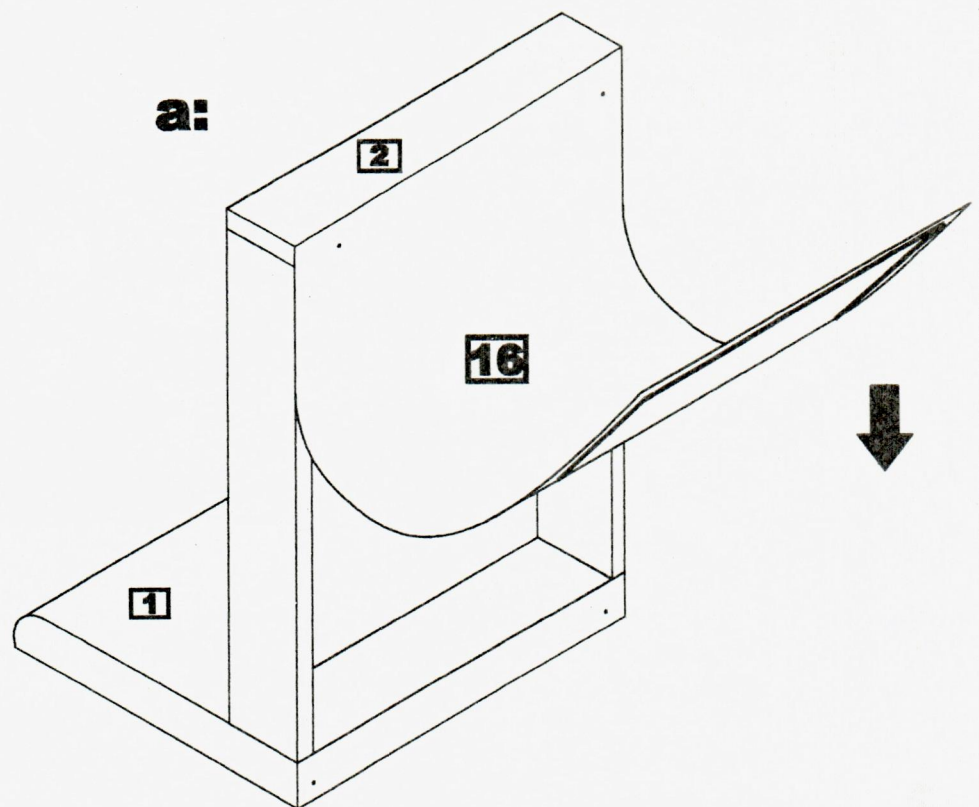


# Assembly Instructions

## Step 8:

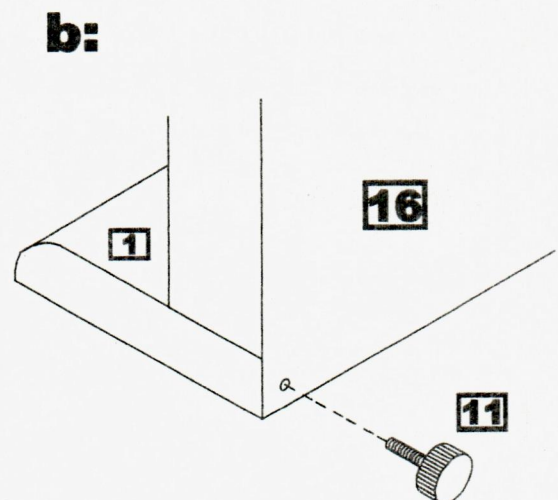
### A: Attach woven fabric

Turn bed on its side and attach woven fabric (16) to base.



### B: Attach adjustable legs

Whilst bed is upside down attach adjustable legs (11) to the base and tighten them.

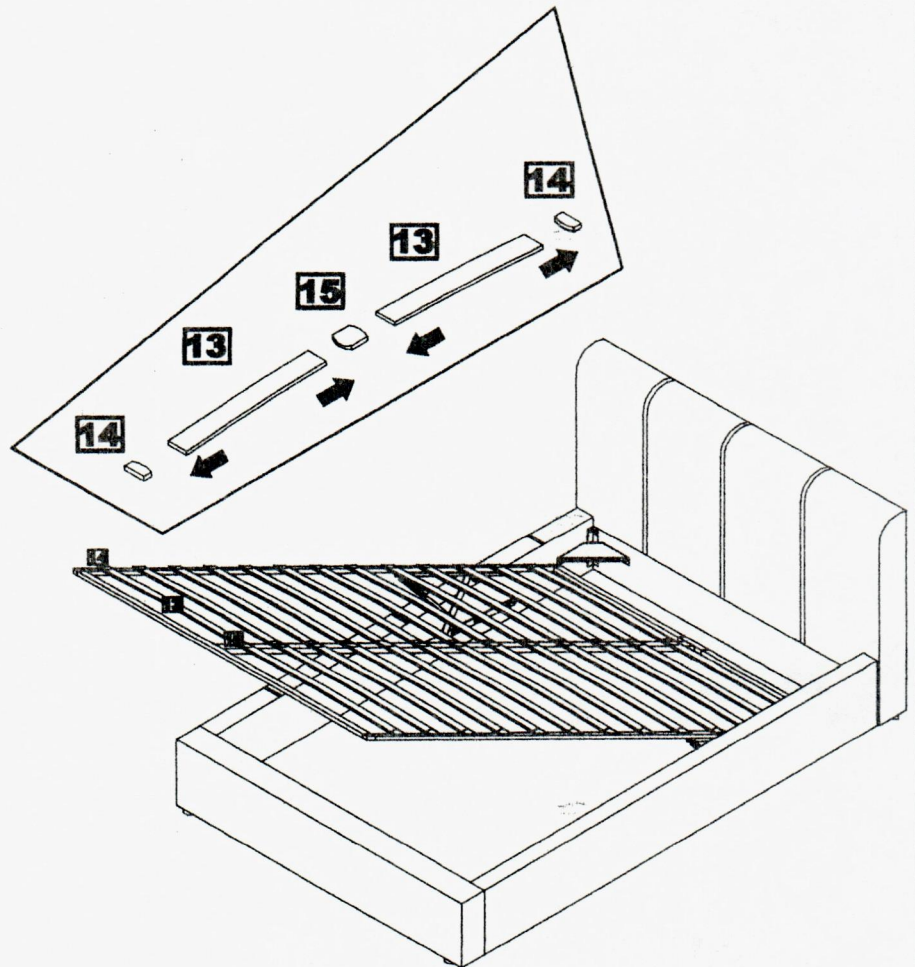


# Assembly Instructions

## Step9: Assemble slats

Attach centre slat caps (15) and side slat caps (14) to each slat (13) as shown.

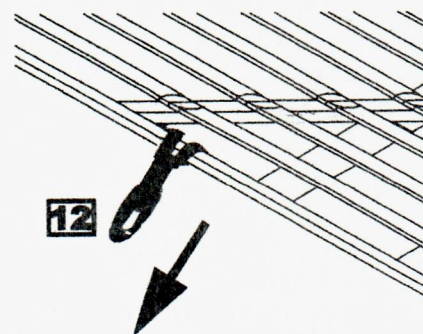
Attach the slats to the slat frame by firmly pushing into place on the slat frame.



## Step10:

Attach belt (12) to the metal frame by loop-on method as shown. pull tight after loop-on.

Please put mattress onto bed before attempting to push down the storage frame. the extra weight of the mattress will help to close the pistons for the first time. Subsequent opening and closing of the storage frame will make it easier to operate.



## **IMPORTANT NOTICE**

### **OTTOMAN OPERATING INSTRUCTIONS**

Once your bed frame is completely assembled the slat unit will not operate correctly unless a mattress is placed on the slat frame. Position the mattress on the slat frame whilst it is in the closed position.

Operate the cloth handle to open and close the ottoman. PLEASE NOTE - it takes a lot of force to make the initial movement of the ottoman. This is a design feature of the product so it does not fall shut - the nearer to being closed the ottoman is, the easier it is to move. When the ottoman is almost shut it will close completely under its own weight.

When lowering the slat unit for the first time, take care to make sure it does not rub unevenly on the inside face of the side rails. If it does, the bed has been assembled slightly out of square. This can be reflected by moving the foot end of the bed slightly to the left or right whilst leaving the head end stationary.

#### **PISTONS**

The pistons used in the construction of this product are extremely strong and cannot be operated by hand when taken off the ottoman. All pistons are tested for correct pressure and operation before being attached to the slat unit.

Initially it might appear that the pistons are very stiff when opening and closing the ottoman - THIS IS PERFECTLY NORMAL

After operating the ottoman a few times, the movement of the pistons and the opening and closing of the ottoman will become easier.

Do not use any type of grease or oil on the pistons as this will void the warranty. The pistons work with air pressure and the oil/grease will cause the seal to fail causing complete failure of the piston

#### **WARNING**

For the safety of yourselves and others, please ensure that:

- Only the handle is used when lifting and lowering the frame. Failure to comply with this warning may result in injury and finger entrapment.
- The handle is attached and always left visible on the outside of the bedstead frame.
- The metal frame is fully raised in the 'Up' position before using the ottoman space, otherwise the frame could fall causing injury.
- Children and pets are not left unattended when the frame is in the lifted position as they could become trapped inside the ottoman space.

**Please keep children and pets away from the ottoman bedstead whilst opening and closing the slat frame to avoid injury.**

