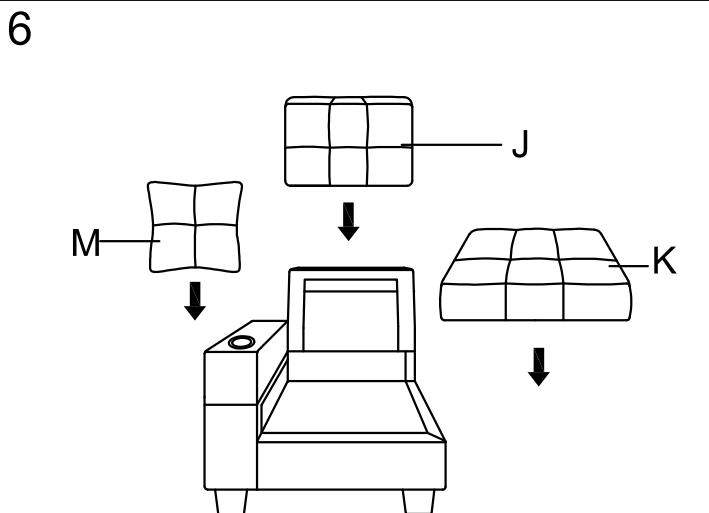
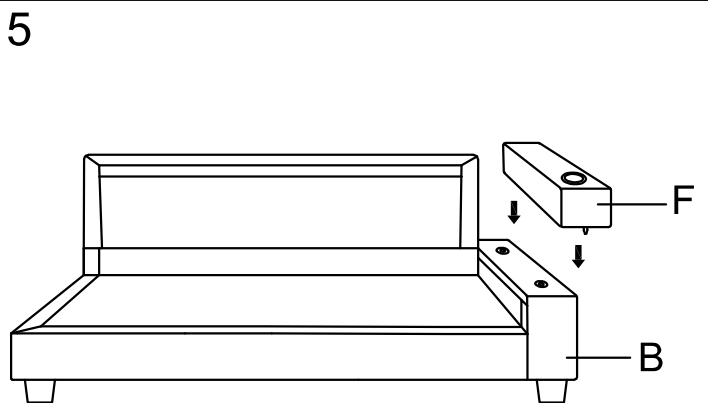
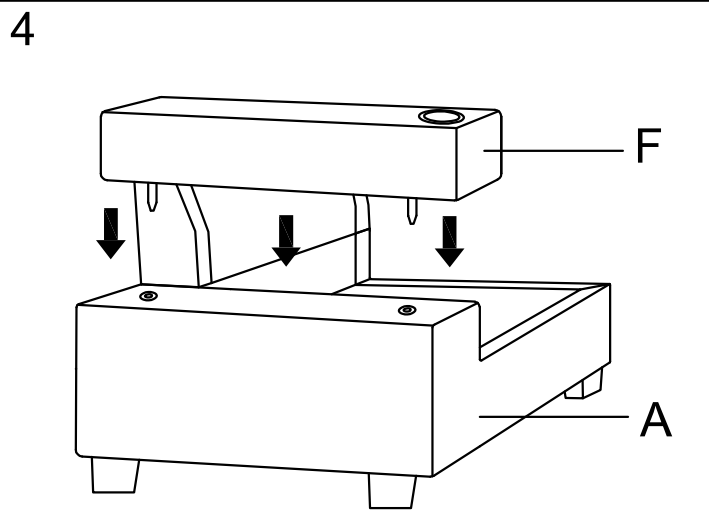
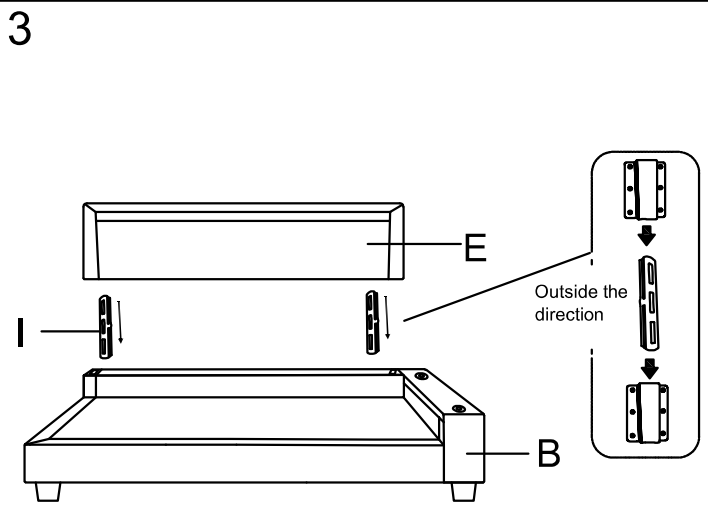
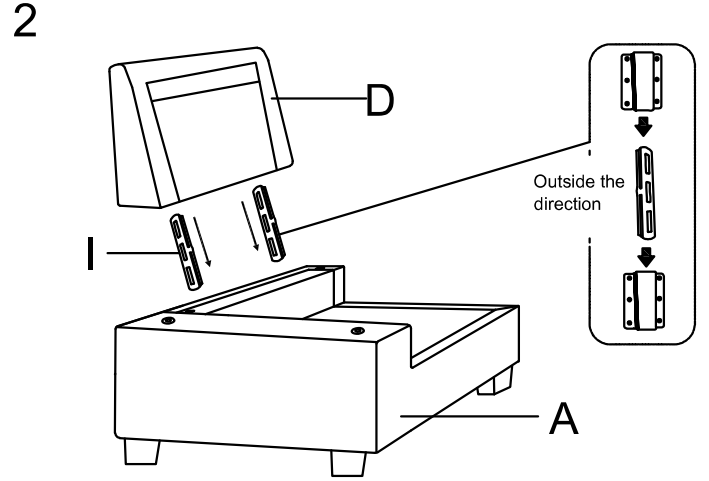
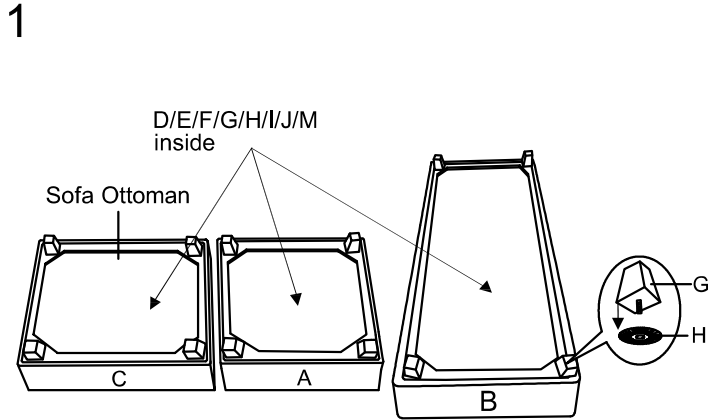
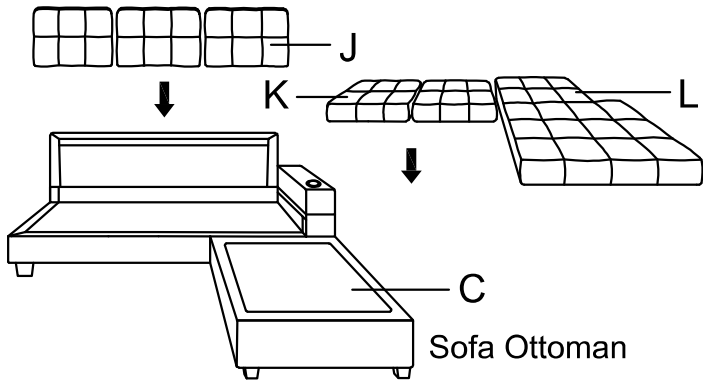


Assembly instruction

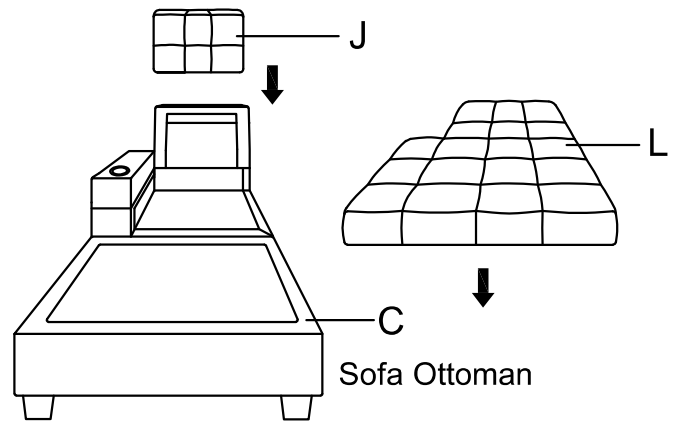
Ax1 	Bx1 	Cx1 	Dx1 	Ex1 	F x2 	G x12
Hx12 	I x4 	J x4 	Kx3 	L x1 	Mx2 	



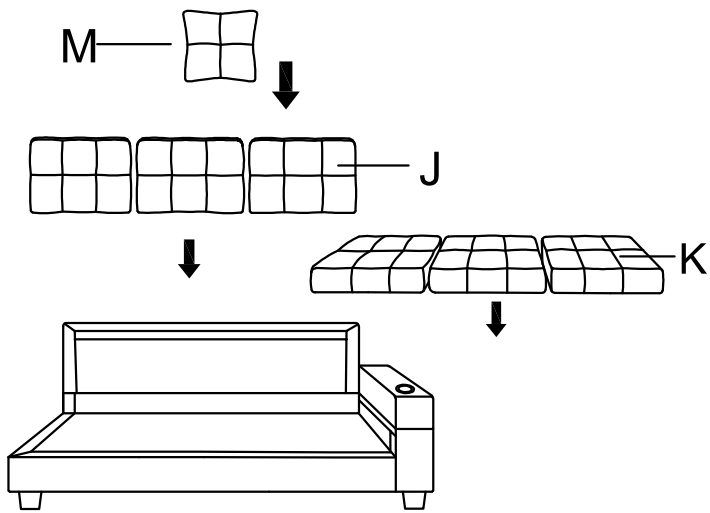
7



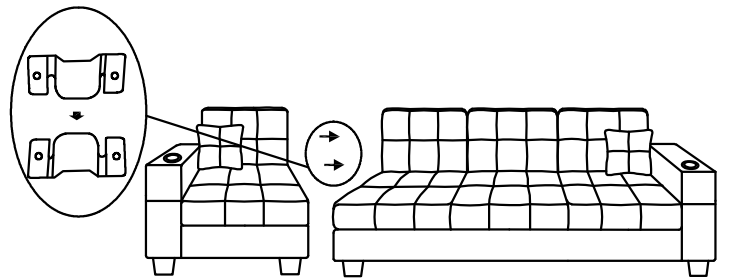
8



9



10



11

