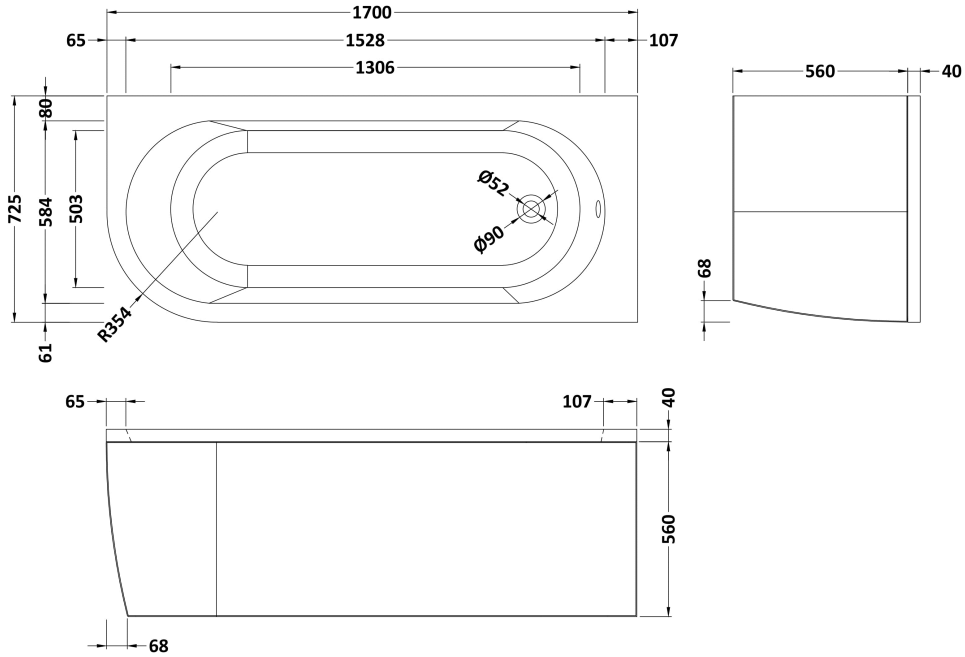
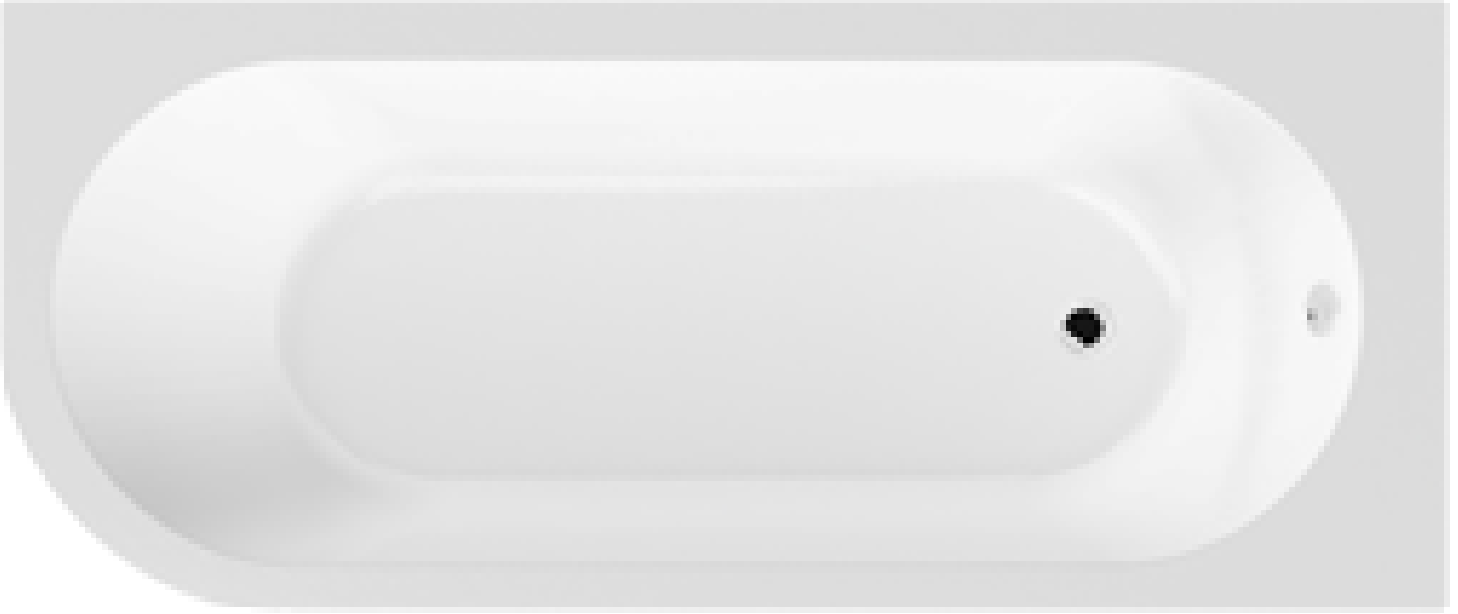


CUSTOMER DATA SHEET

DESCRIPTION:

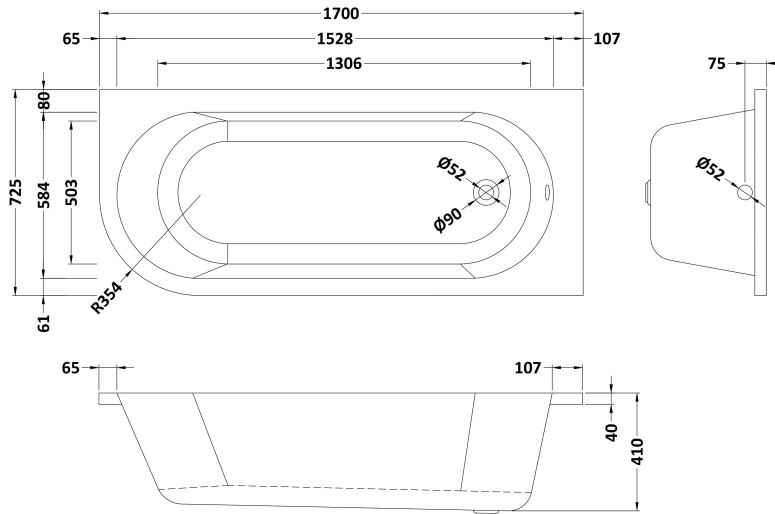
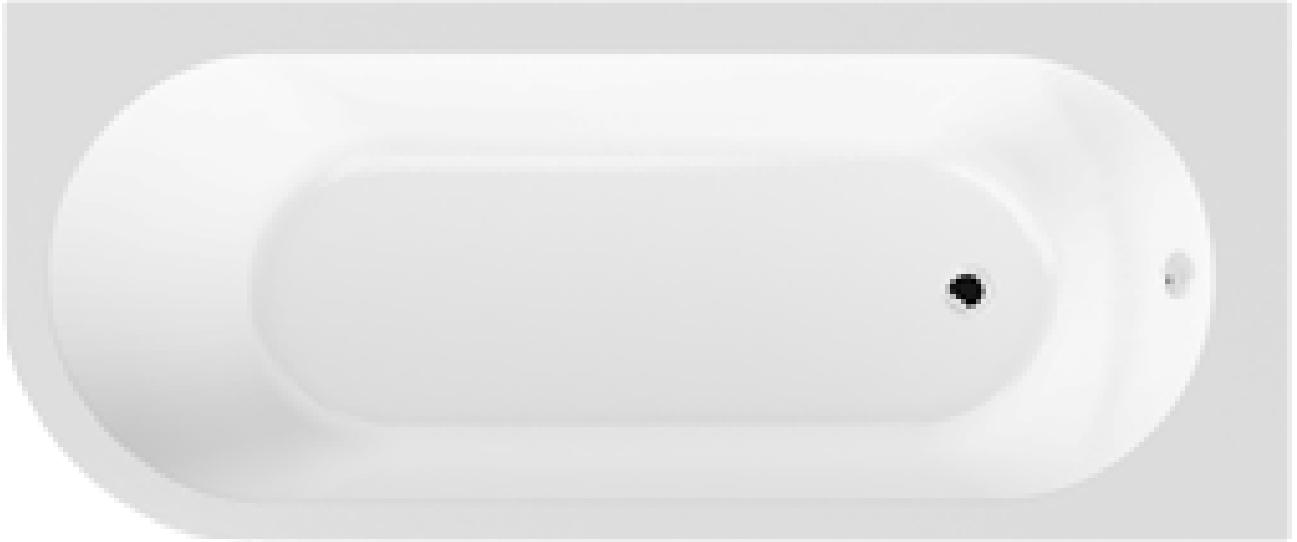
Rh Btw Corner Bath



CUSTOMER DATA SHEET - BATHS

DESCRIPTION:

Rh Btw Corner Bath



PRODUCT DIMENSIONS			
Length (mm)	Width (mm)	Depth (mm)	Nett Wgt Kg
725	1700	410	24

PACKAGING DIMENSIONS			
Length (mm)	Width (mm)	Depth (mm)	Gross Wgt Kg
1700	725	400	25

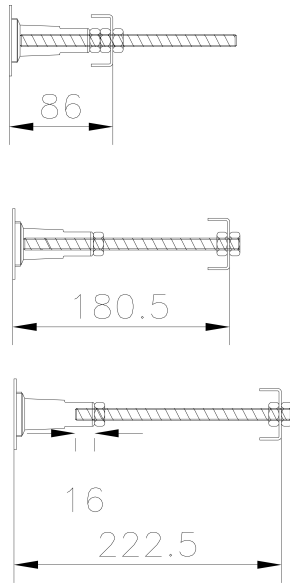
PACKAGING DATA			
Box Colour	Brown Cardboard Sleeve		
Box Qty	1	Label Colour	White Label
Label Size	80 X 40	Label Qty	2

OUTER BOX DIMENSIONS (If Applicable)			
Length (mm)	Width (mm)	Height (mm)	Gross Wgt Kg

PRODUCT DETAILS						
Country of Origin	Poland	Certification	FSC	No	CE	Yes
Fitting Instruction	No	Material Colour Ref'	European White			
Product Material	Acrylic	Material Thickness	4mm			
Volume (Ltr)	192L	Displaced Capacity	120L			
Leg Set Inc'	Legset Not Included	Waste Inc'	Waste Not Included			
Drilled/Undrilled	Undrilled For Taps	Includes Grips	Not Applicable			
Embossed	No	No of Tapholes	None			
Anti-Slip	No					

CUSTOMER DATA SHEET - BATHS

DESCRIPTION: Leg Set



PRODUCT DIMENSIONS

Length (mm)	Width (mm)	Depth (mm)	Nett Wgt Kg
570			1.9

PACKAGING DIMENSIONS

Length (mm)	Width (mm)	Depth (mm)	Gross Wgt Kg
600	60	60	1.9

PACKAGING DATA

Box Colour	Brown Cardboard Box		
Box Qty	1	Label Colour	White Label
Label Size	50 X 38	Label Qty	1

OUTER BOX DIMENSIONS (If Applicable)

Length (mm)	Width (mm)	Height (mm)	Gross Wgt Kg

PRODUCT DETAILS

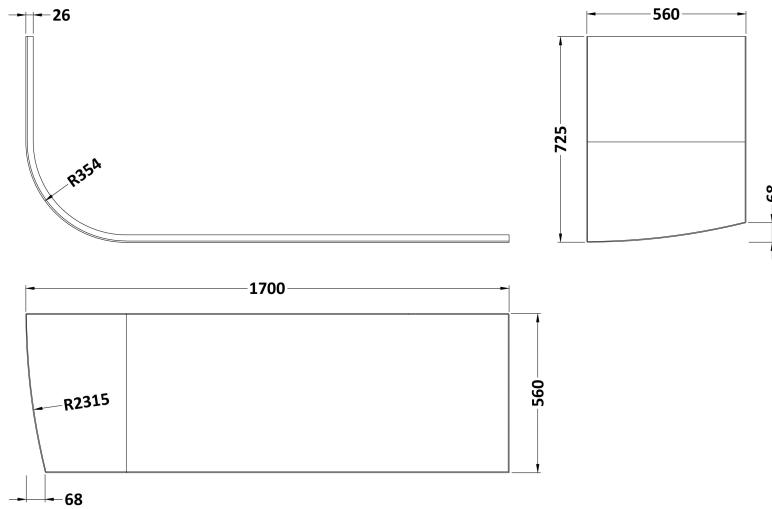
Country of Origin	Poland	Certification	FSC	N/A	CE	N/A
Fitting Instruction	No	Material Colour Ref'	Not Applicable			
Product Material	Steel	Material Thickness	N/A			
Volume (Ltr)	N/A	Displaced Capacity	N/A			
Leg Set Inc'	Not Applicable	Waste Inc'	Not Applicable			
Drilled/Undrilled	Not Applicable	Includes Grips	Not Applicable			
Embossed	Not Applicable	No of Tapholes	Not Applicable			
Anti-Slip	Not Applicable					

CUSTOMER DATA SHEET - BATHS

DESCRIPTION:

Btw J Corner Bath Panel

Image
Currently
Unavailable



PRODUCT DIMENSIONS

Length (mm)	Width (mm)	Depth (mm)	Nett Wgt Kg
			5

PACKAGING DIMENSIONS

Length (mm)	Width (mm)	Depth (mm)	Gross Wgt Kg
1700	30	400	5.5

PACKAGING DATA

Box Colour	Polybagged		
Box Qty	1	Label Colour	White Label
Label Size	80 X 40	Label Qty	1

OUTER BOX DIMENSIONS (If Applicable)

Length (mm)	Width (mm)	Height (mm)	Gross Wgt Kg

PRODUCT DETAILS

Country of Origin	Poland	Certification	FSC	CE
Fitting Instruction	No	Material Colour Ref'		
Product Material	Acrylic	Material Thickness	2mm	
Volume (Ltr)		Displaced Capacity		
Leg Set Inc'	Not Applicable	Waste Inc'	Not Applicable	
Drilled/Undrilled	Not Applicable	Includes Grips	Not Applicable	
Embossed	Not Applicable	No of Tapholes	Not Applicable	
Anti-Slip	Not Applicable			