

ASSEMBLY INSTRUCTION


MODEL: GREY/WALNUT-COUNTER STOOL



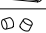

Read this instruction carefully. Remove all wrapping material, staples and straps from the carton. See hardware and furniture part list for guidance. Be sure you have all wooden furniture parts on a clean and flat soft surface, such as a carpet or rug, to prevent from being scratched.

CAUTION :

1. Do Not FULLY - TIGHTEN the nut or screw until all is ready to assemble.
2. Do Not OVER - TIGHTEN the nut or screw to avoid causing damages to the tread.
3. Keep all hardware part out reach of children.

Part List		
Code	Description	Qty
A	Backrest	1 pc
B	Seat	1 pc
C	Back Leg with Strecher	1 pc
D	Back Leg without Strecher	1 pc
E	Strecher	1 pc
F	Center Strecher	1 pc
G	Corner Block	4 pcs

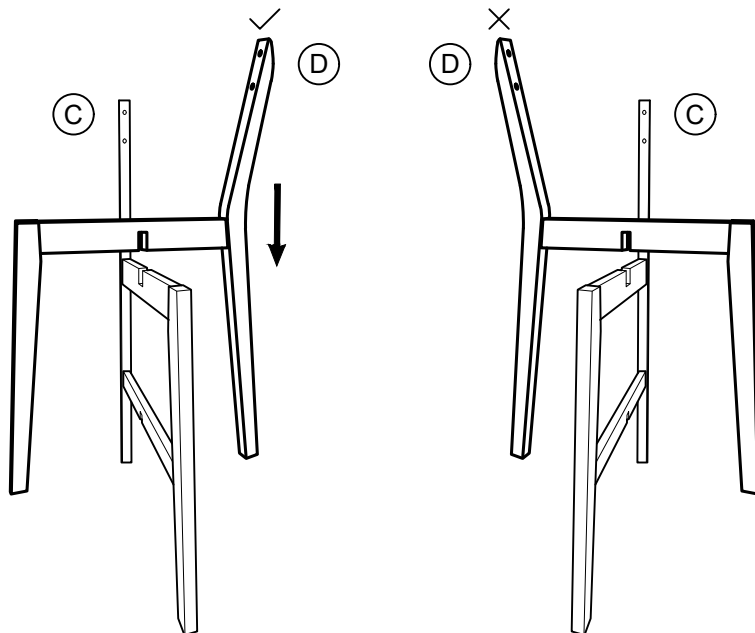
Hardware List		
No.	Description	Qty
1	JCBC M6 x 25mm 	4 pcs
2	JCBC M6 x 30mm 	1 pc
3	JCBC M6 x 50mm 	6 pcs
4	Spring Washer M6 	11 pcs

Hardware List		
No.	Description	Qty
5	CSK M4 x 38mm 	4 pcs
6	CSK M4 x 25mm 	8 pcs
7	Allen Key M4 x 110mm 	1 pc
8	Wood Button Ø13.5 	4 pcs

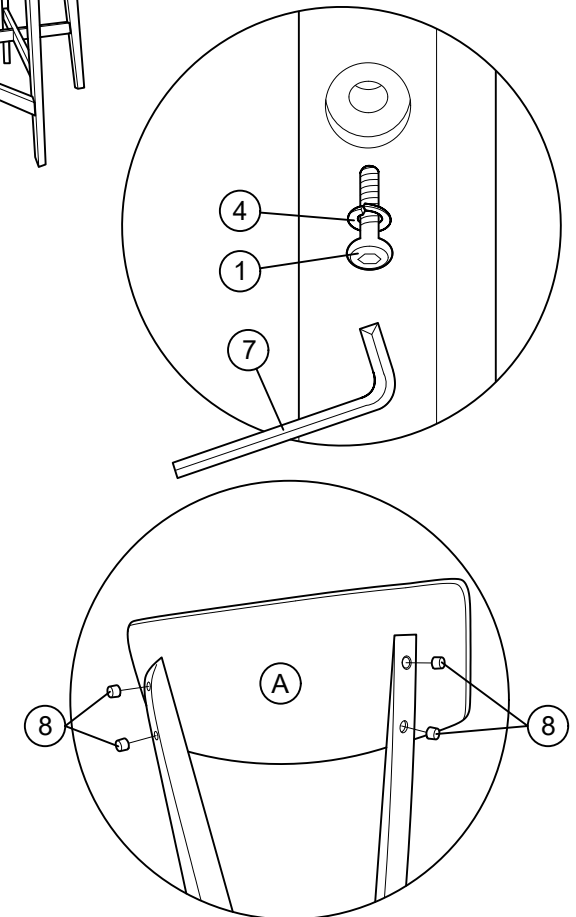
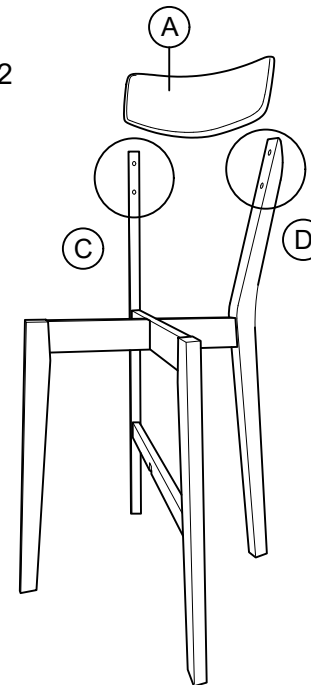
 Outils nécessaire non fournis: Tournevis



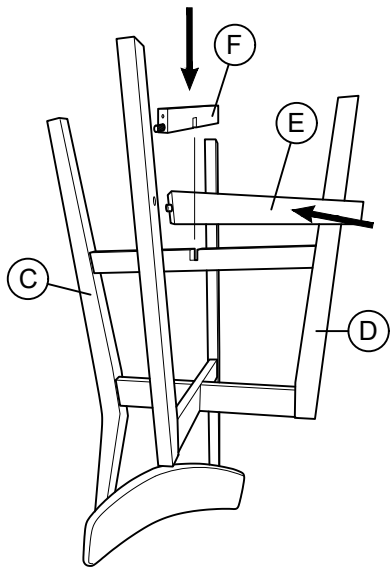
Step 1



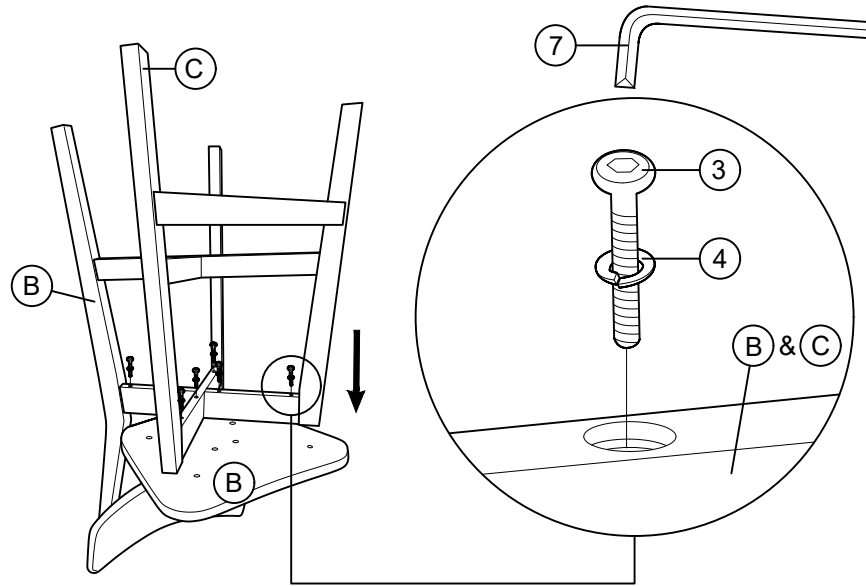
Step 2



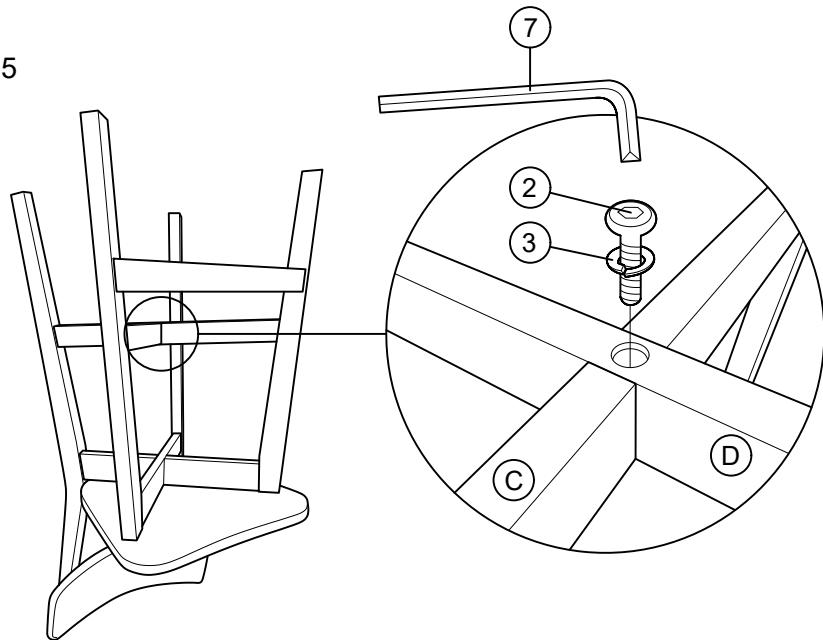
Step 3



Step 4



Step 5



Step 6

