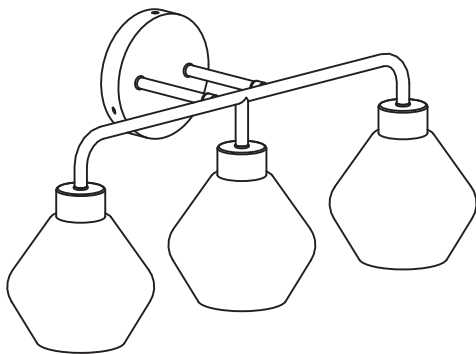


edishinē

Vanity Light

[Instruction Manual]



Please pay attention to the warning signs
Read the instructions with caution before operating
and keep it properly

Warning:

Risk of fire. Min 75°C supply conductors. Consult a qualified electrician to ensure correct installation. Before installation, please turn off the main power of the circuit breaker to prevent possible electric shock.

Installation Instructions

FIG.1. Turn the wall switch to the "OFF" position.

Depending on which type of fuse box in your home:

FIG.2. Either turn the main (Master) switch to the "OFF" position to cut off the power supply of the entire home, or turn off the individual switch that supplies power to where the fixture will be installed.

OR

FIG.3. Either turn the main (Master) switch to the "OFF" position to cut off the power supply of the entire home, or unscrew the fuse that supplies power to where the fixture will be installed.

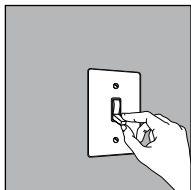


FIG.1 WALL SWITCH

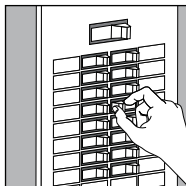


FIG.2 BREAKER PANEL

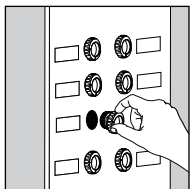
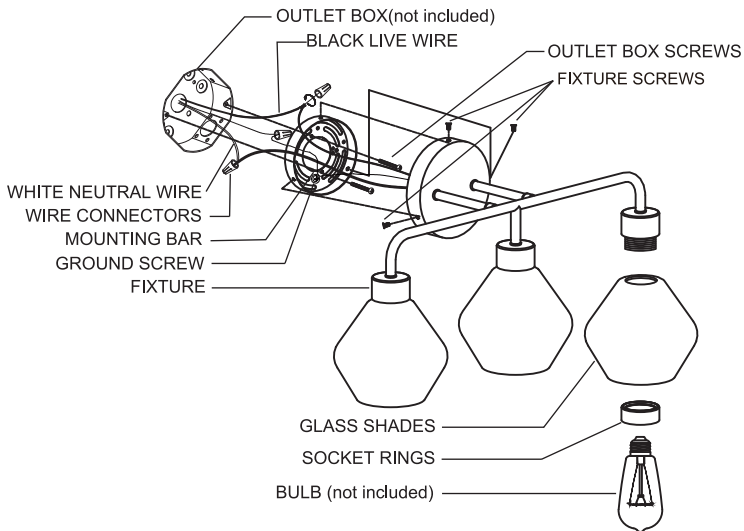


FIG.3 FUSE BOX

Lighting Fixture Installation



1. Take out all the parts in the package and place them on a clean surface.
2. Unscrew **FIXTURE SCREWS**, use **OUTLET BOX SCREWS** to connect **MOUNTING BAR** to **OUTLET BOX**.
3. Use **CONNECTORS** to connect the **BLACK WIRE** of the **FIXTURE** to the **BLACK WIRE** of the **OUTLET BOX**, connect **WHITE WIRE** of **FIXTURE** to **WHITE WIRE** of **OUTLET BOX** with **CONNECTORS**, use **CONNECTORS** to connect the **GROUND WIRE** of the **FIXTURE** to the **GROUND WIRE**

of the OUTLET BOX, use GREEN GROUND SCREW to connect GROUND WIRE of FIXTURE to MOUNTING BAR. Carefully put the wire back into the OUTLET BOX.

4. Use FIXTURE SCREWS to install FIXTURE on MOUNTING BAR.
5. Use SOCKET RING to fix GLASS SHADE to FIXTURE.
6. Install the bulbs.

Specifications

- Input Voltage: 120VAC 60Hz
- Max.load Power: Incandescent Bulb 60W x 3
- Socket Type: Standard Medium E26

One Year Limited Warranty

Supported by our professional R&D team and QC team, we provide One Year Warranty for materials and workmanship from the purchase date. Please note that the warranty does not cover damage caused by personal misuse or improper installation.

Please attach your Order ID and Name so that our dedicated customer service team can help you better.



Made in China