

PivotBar

Pivot Bar Add On Kit

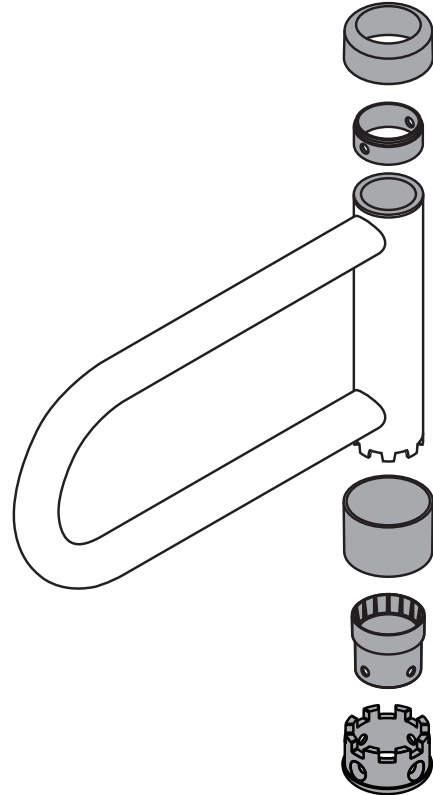
Technical Data Sheet

Product Specification

The uPole Pivot Bar is a high quality, commercial grade pivoting and locking horizontal bar that connects to the uPole (floor to ceiling safety pole). The horizontal bar shall be constructed of 1.25" tubing and extend 14" from the vertical pole. The horizontal bar can be lifted, pivoted and lowered to the next locking position around the uPole. In any of the 8 lowered position (every 45 degrees) the Pivot Bar can be used to support the user.

The product shall have a satin powder coat finish. The product shall have a weight capacity of 300 lbs/136 kg. The Pivot Bar Add On Kit shall be HealthCraft Products model UPOLE-BKIT-____ (see table below for appropriate product code).

Complies with ASTM F3186-24 - Standard Specification for Adult Portable Bed Rails and Related Products.



Key Features

- Lift to Unlock/Release to Lock
- Locks every 45°
- Satin Powder Coat Finish

Specified Model

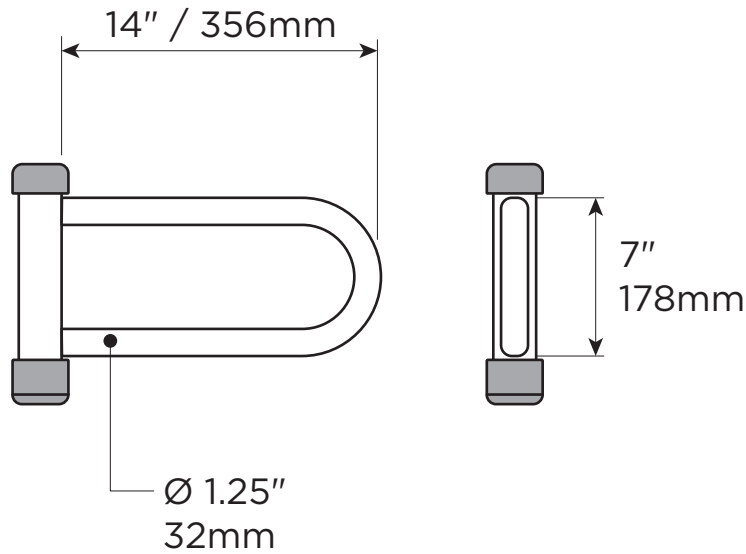
| Model | Weight Capacity | Material |
|---------------|------------------|----------|
| UPOLE-BKIT-CW | 300 lbs / 136 kg | Steel |

PivotBar

Pivot Bar Add On Kit

Technical Data Sheet

Product Dimensions



Shipping Dimensions

| Model | Height (H) | Width (W) | Depth (D) | Weight |
|------------|-------------|-----------|---------------|----------------|
| UPOLE-BKIT | 3.25" / 8cm | 9" / 23cm | 17.75" / 45cm | 4.2lbs / 1.9kg |

