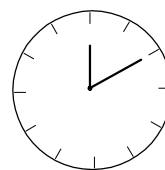
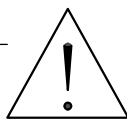
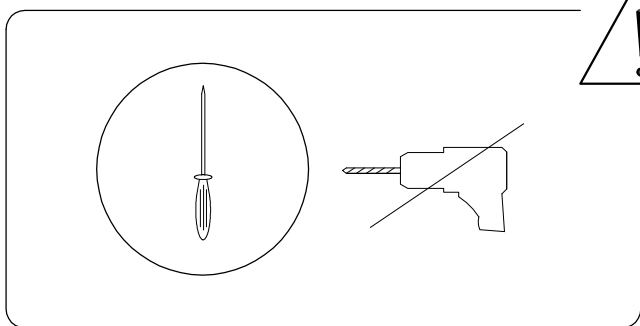
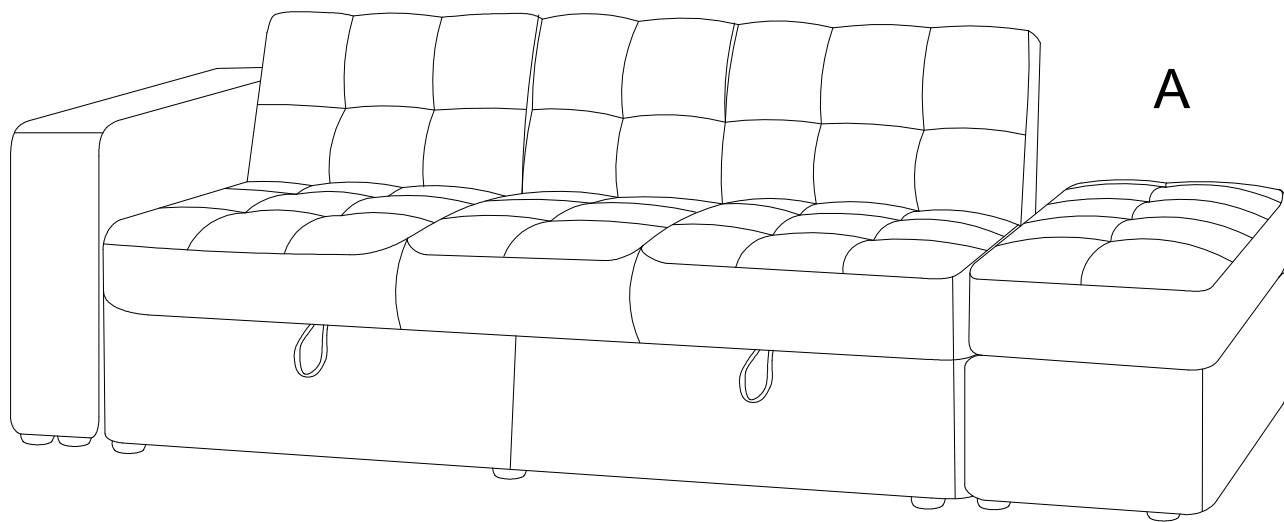
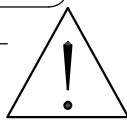
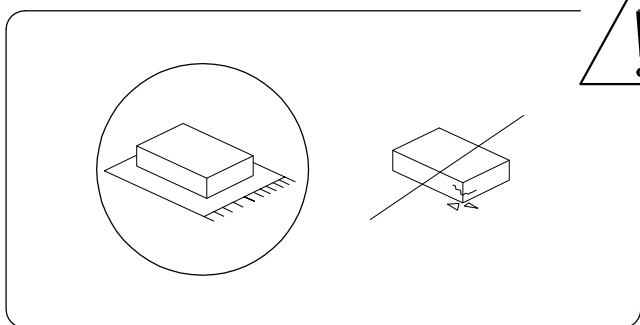


B

A

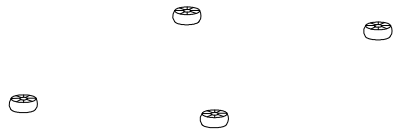
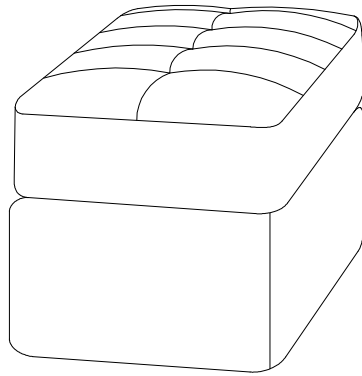
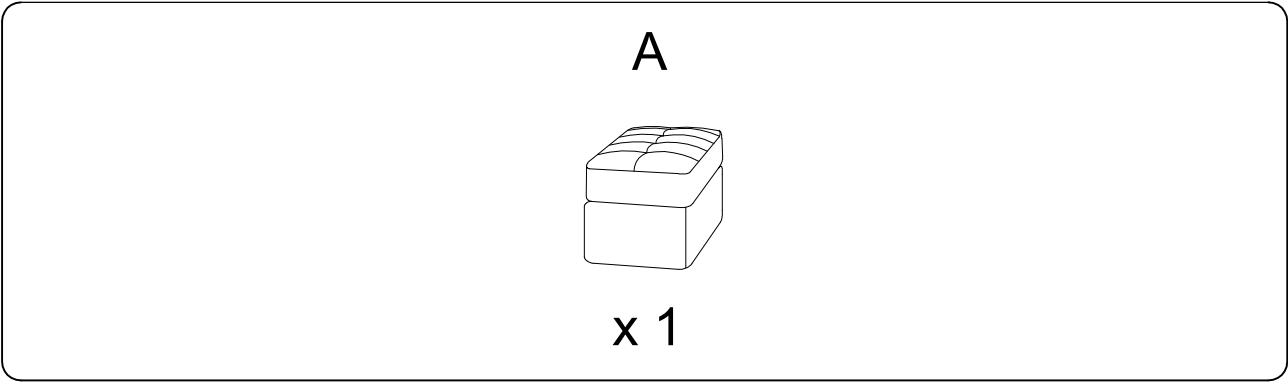


10'

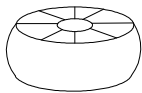


1

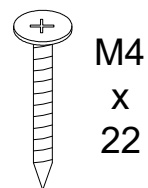
A



C

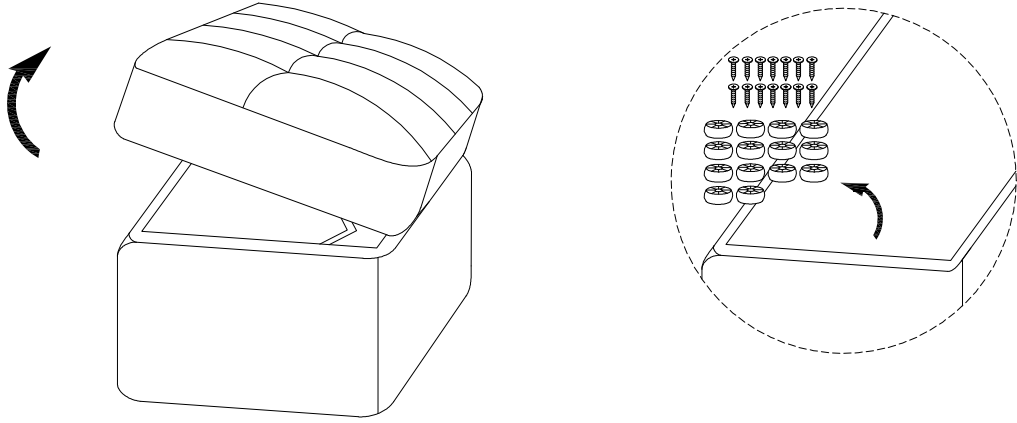


D



x 4

!



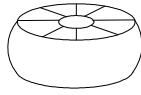
1

A



x 1

C



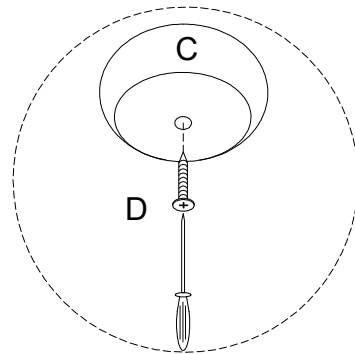
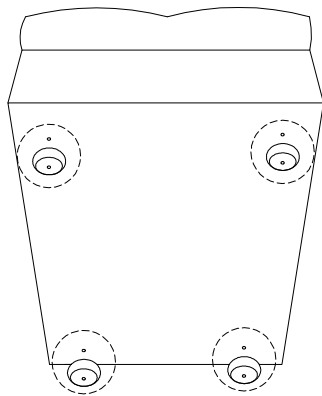
x 4

D



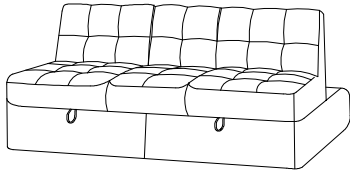
M4  
x  
22

x 4



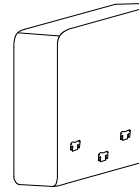
# B

A



x 1

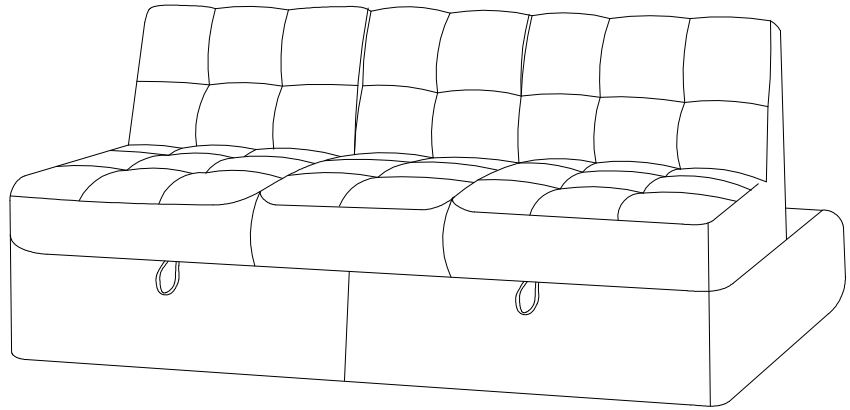
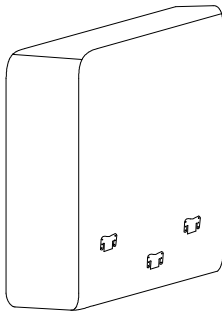
B



x 1

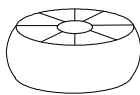
A

B



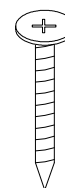
C x 10

C



x 10

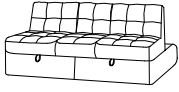
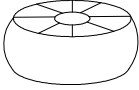

D

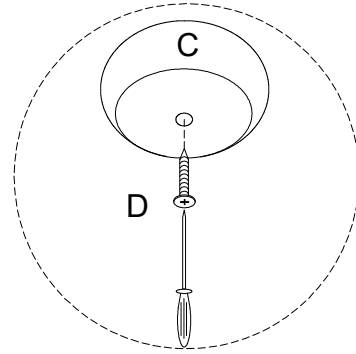
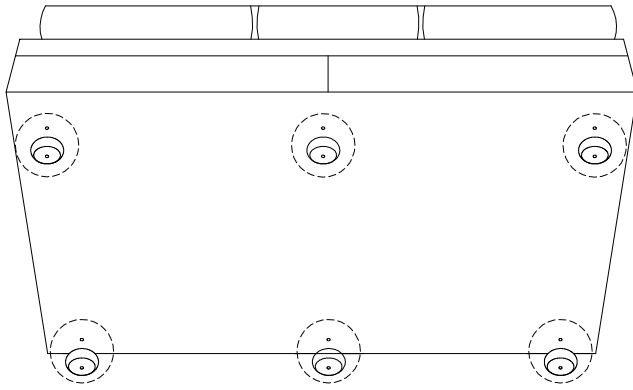


M4  
x  
22

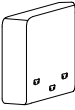
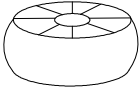

x 10

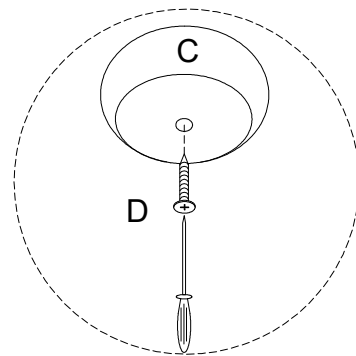
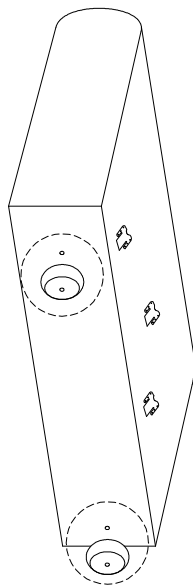
1

<p>A</p>  <p>x 1</p>	<p>C</p>  <p>x 6</p>	<p>D</p>  <p>M4 x 22</p> <p>x 6</p>
---	---	--

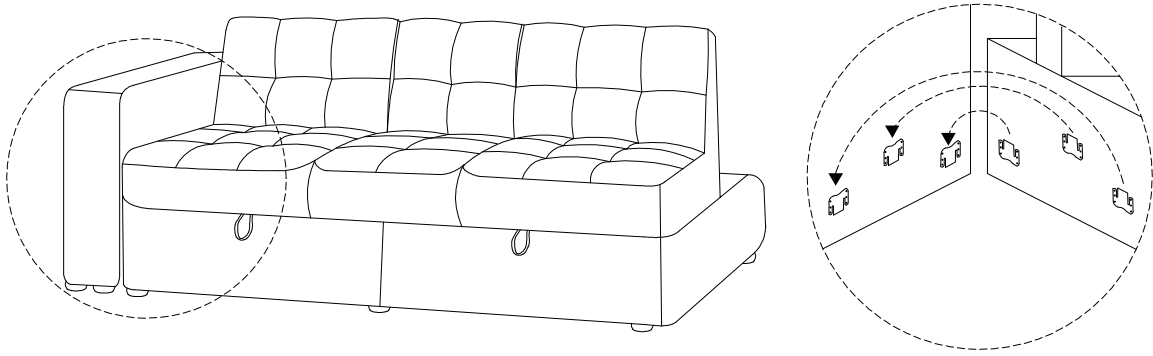


2

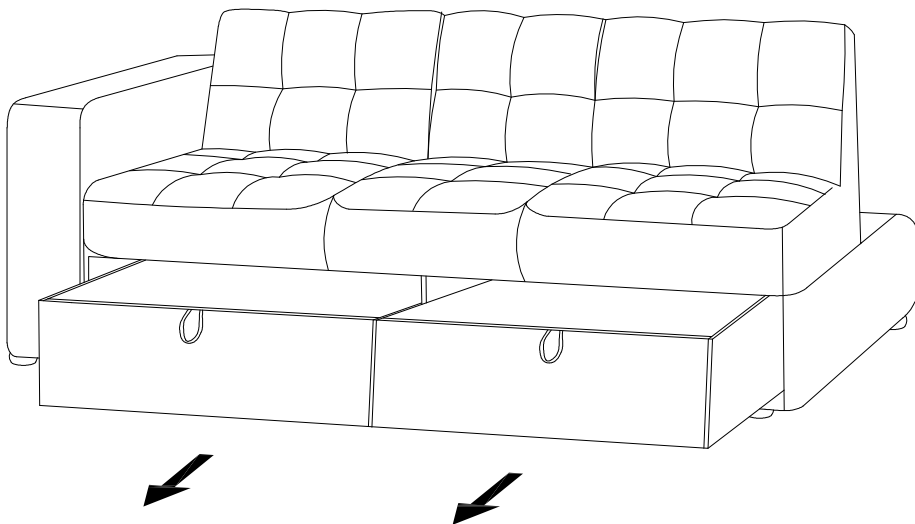
<p>B</p>  <p>x 1</p>	<p>C</p>  <p>x 4</p>	<p>D</p>  <p>M4 x 22</p> <p>x 4</p>
---	---	--



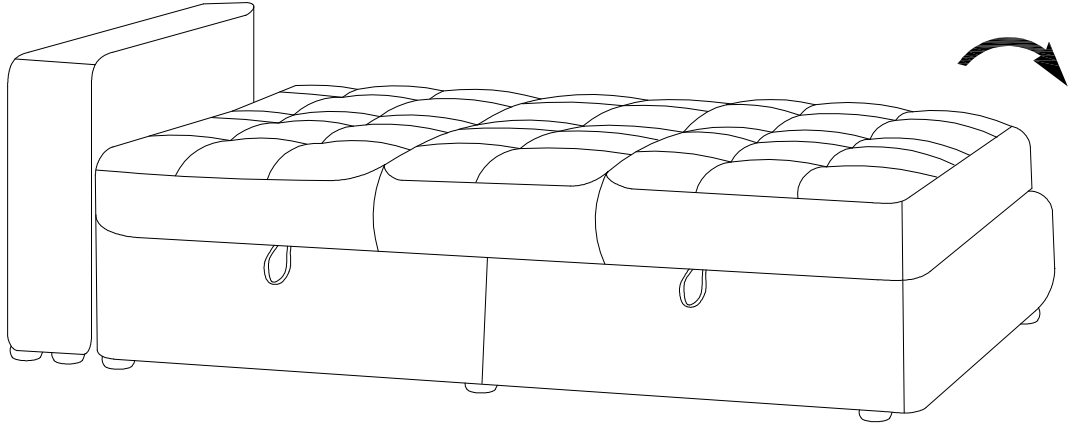
3



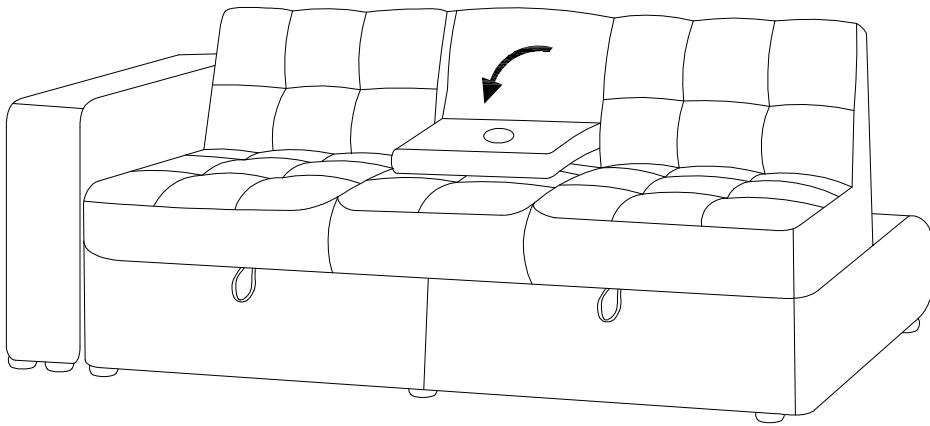
!



!



!



!

