




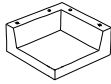


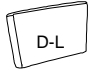

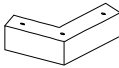

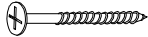

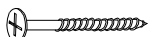
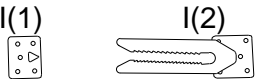
# ASSEMBLY INSTRUCTION

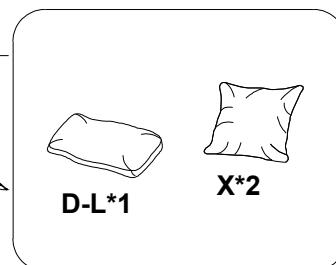
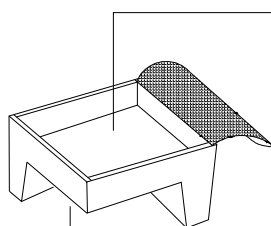
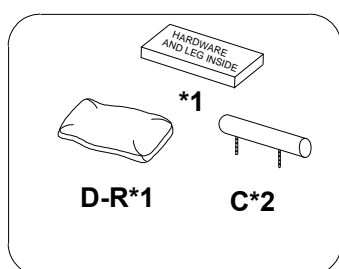
## CORNER SEAT

 Legs and hardware are stored in the box, please take out for assembly.

**NOTE:** Do not use power tools for assembly. Power tools increase the risk of over tightening which lead to splitting or cracking the wood.

### CHAIR COMPONENT LIST

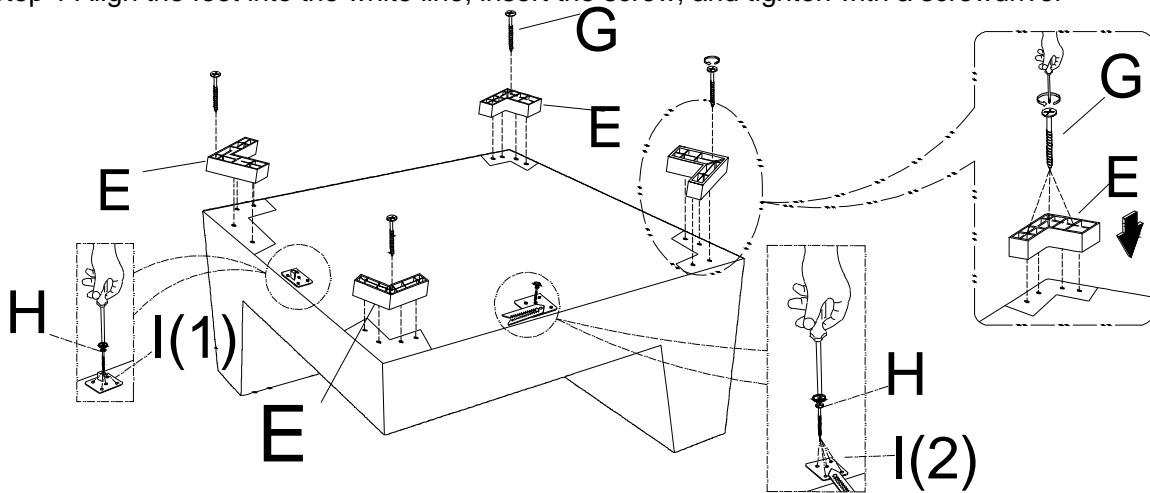
NO	DRAWING	QTY	DESCRIPTION
A		1	SEAT
B		1	SEAT CUSHION
C		2	HEADREST
D-L		1	L LSF BACK CUSHION
D-R		1	R RSF BACK CUSHION
E		4	PLASTIC LEG
F		2	CONNECTOR
G		16	SCREW #4X45MM
X		2	SQUARE PILLOW (DIM 21"x21")
H		10	SCREW #4X25MM
I		1	ALLIGATOR INSERT



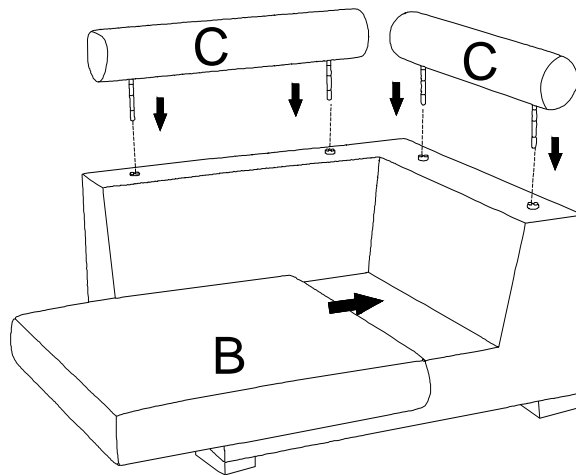
# ASSEMBLY INSTRUCTION

NOTE: Please take out all the parts inside the bottom frame before assembling the leg.

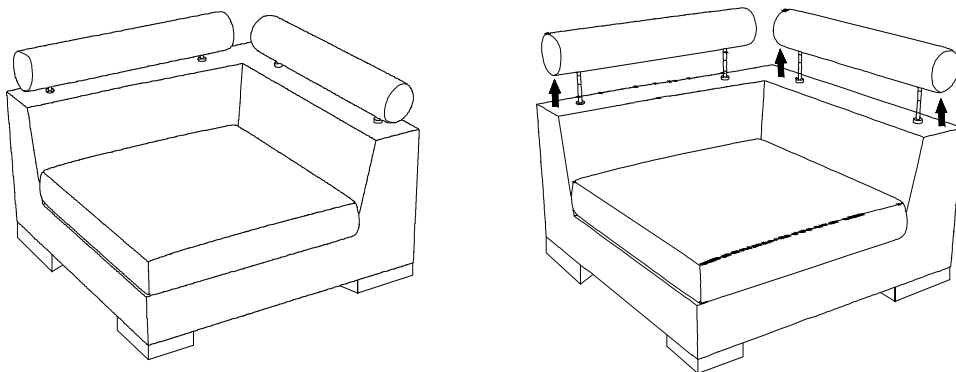
Step 1 Align the feet into the white line, insert the screw, and tighten with a screwdriver



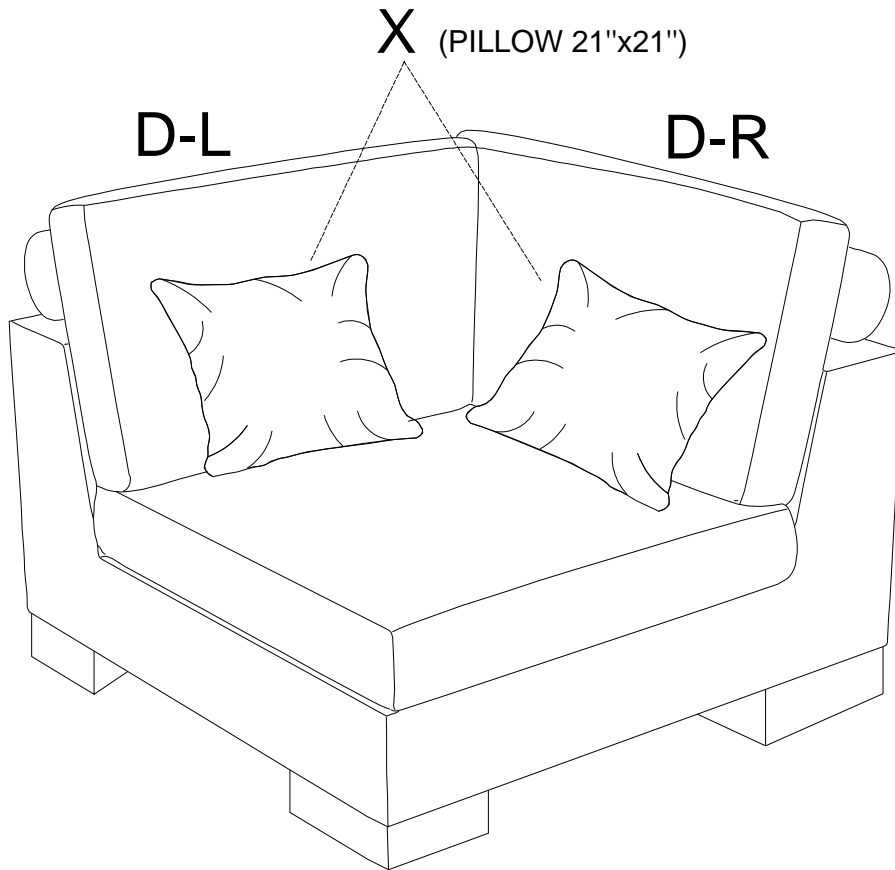
Step 2



Step 3

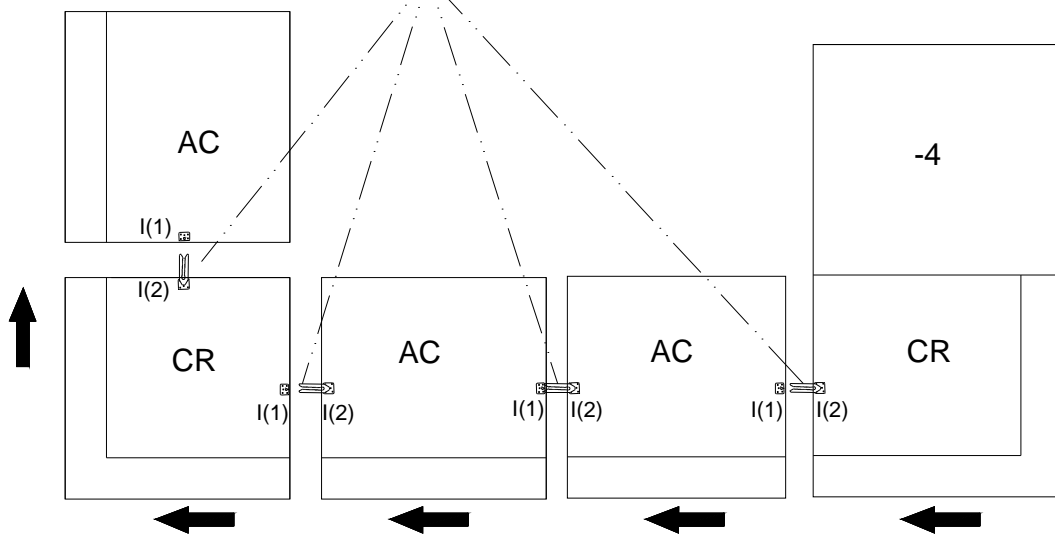
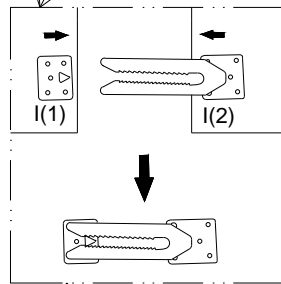
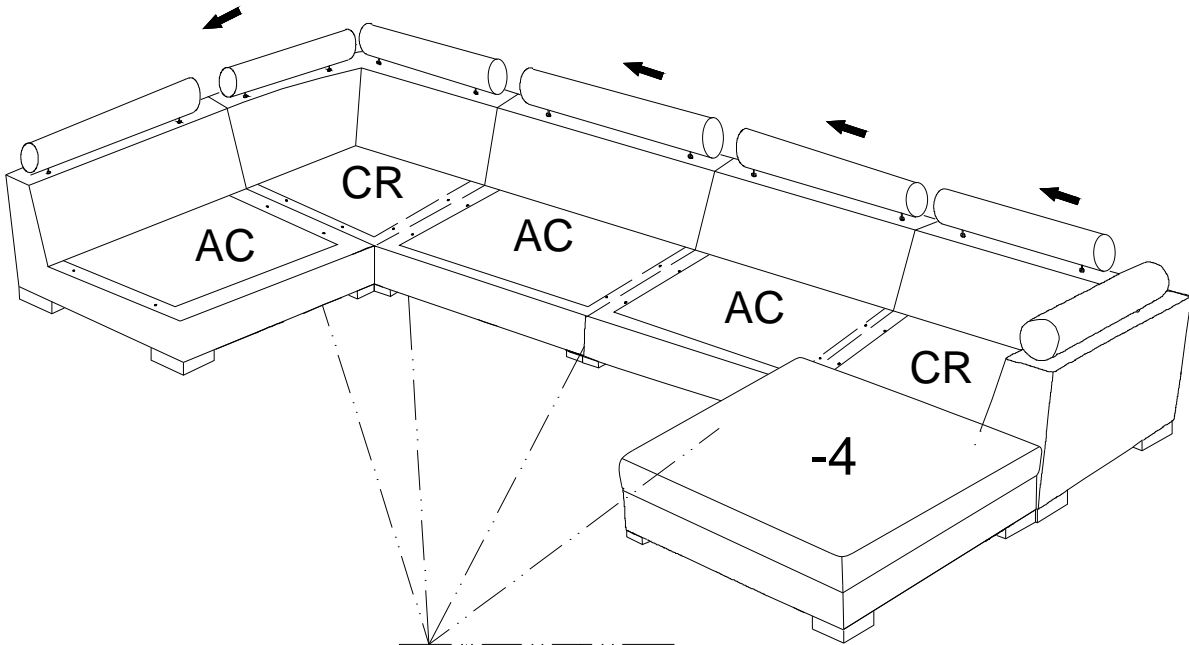


# ASSEMBLY INSTRUCTION



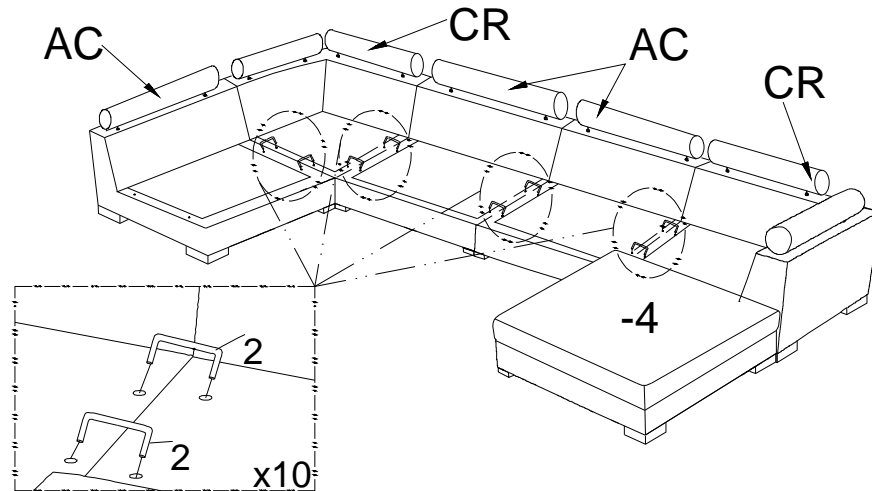
# ASSEMBLY INSTRUCTION

## STEP 1

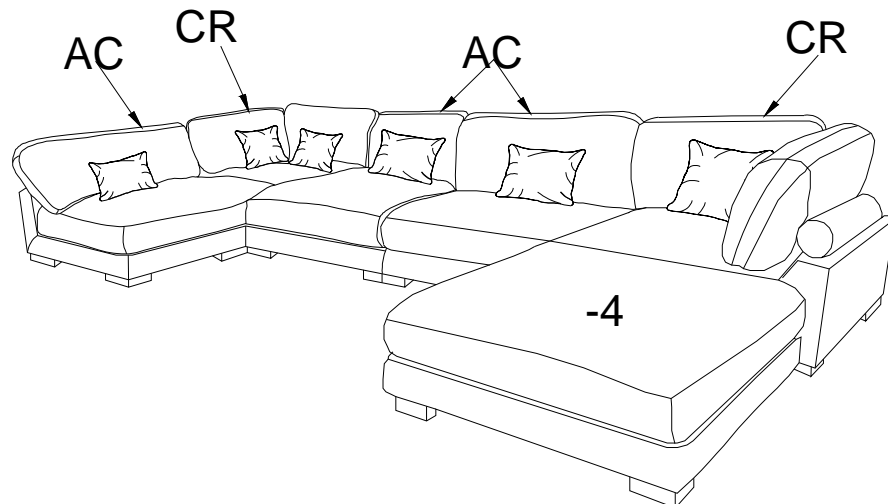


# ASSEMBLY INSTRUCTION

## STEP 2



## STEP 3



### Care Instruction for Corduroy Furniture:

In order to maintain the original appearance of your Corduroy furniture, please follow below simple care procedures:

Avoid exposing furniture directly to sunlight or heating and air conditioning outlets. Sunlight and or exposure to heating and air conditioning outlets will fade/damage Corduroy.

Vacuum or wipe with a soft cloth to remove dust.

Hardware may loosen over time. Periodically check to make sure all connection are tight, Re-tighten if necessary.



For item use on wooden floor, hard surfaces or carpets, it is recommended to install protective pads under all legs and supports to avoid/prevent from damages/scratches and discoloration.



# ASSEMBLY INSTRUCTION

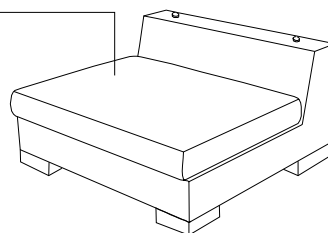
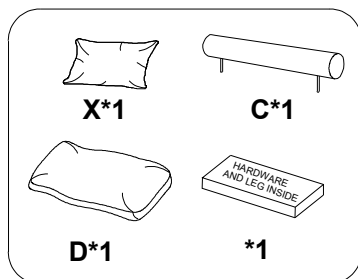
## ARMLESS CHAIR

Legs and hardware are stored in the box, please take out for assembly.

**NOTE:** Do not use power tools for assembly. Power tools increase the risk of over tightening which lead to splitting or cracking the wood.

### CHAIR COMPONENT LIST

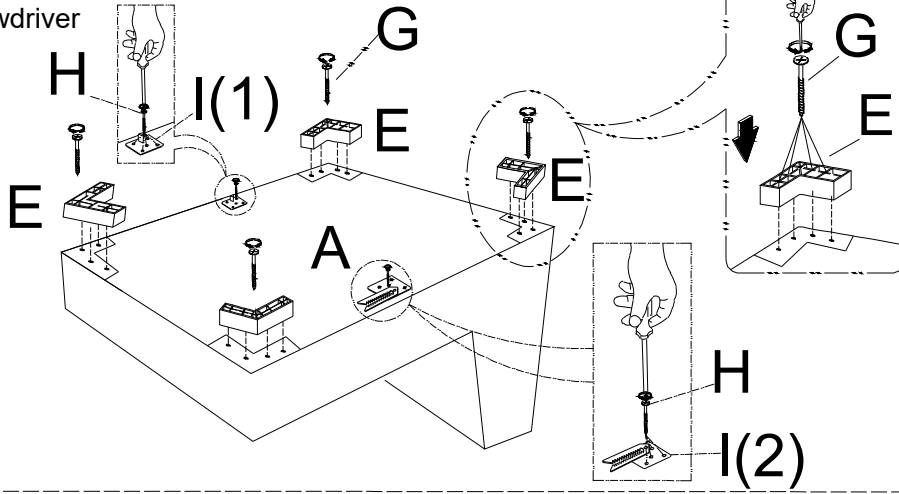
NO	DRAWING	QTY	DESCRIPTION
A		1	SEAT
B		1	SEAT CUSHION
C		1	HEADREST
D		1	BACK CUSHION
E		4	PLASTIC LEG
F		2	CONNECTOR
G		16	SCREW #4x45mm
X		1	RECTANGULAR PILLOW(DIM 26"x15")
H		10	SCREW #4X25MM
I	 	1	ALLIGATOR INSERT



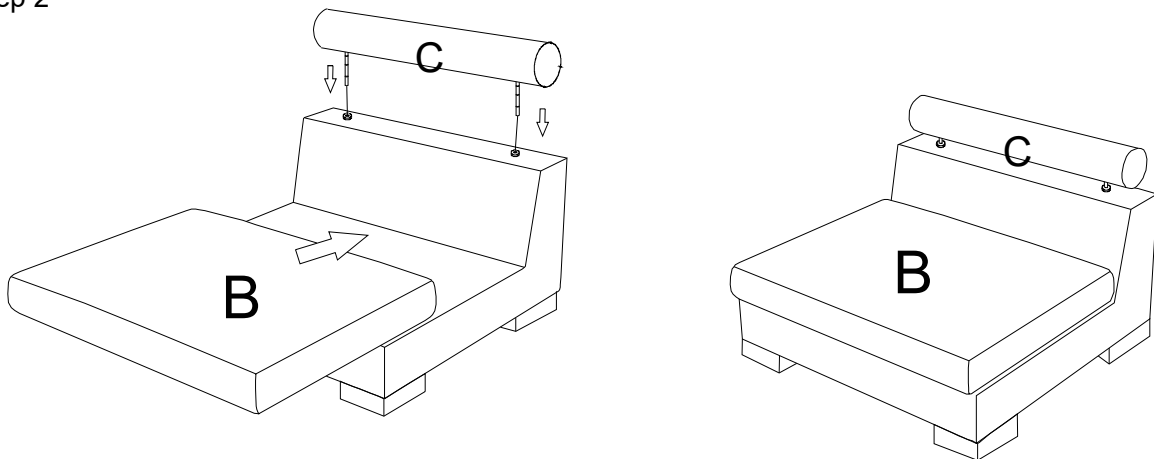
# ASSEMBLY INSTRUCTION

NOTE: Please take out all the parts inside the bottom frame before assembling the leg.

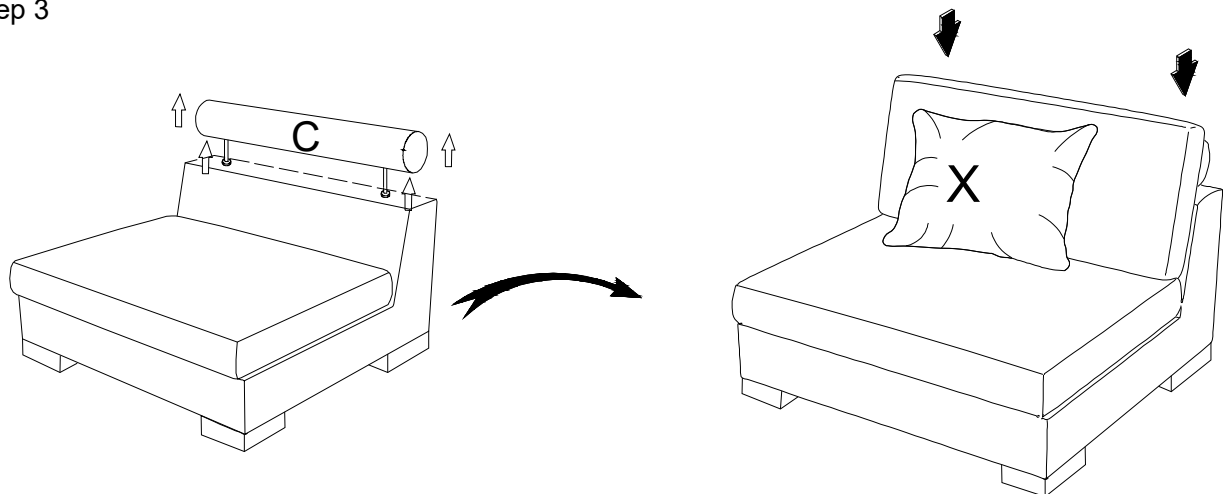
Step 1 Align the feet into the white line, insert the screw, and tighten with a screwdriver



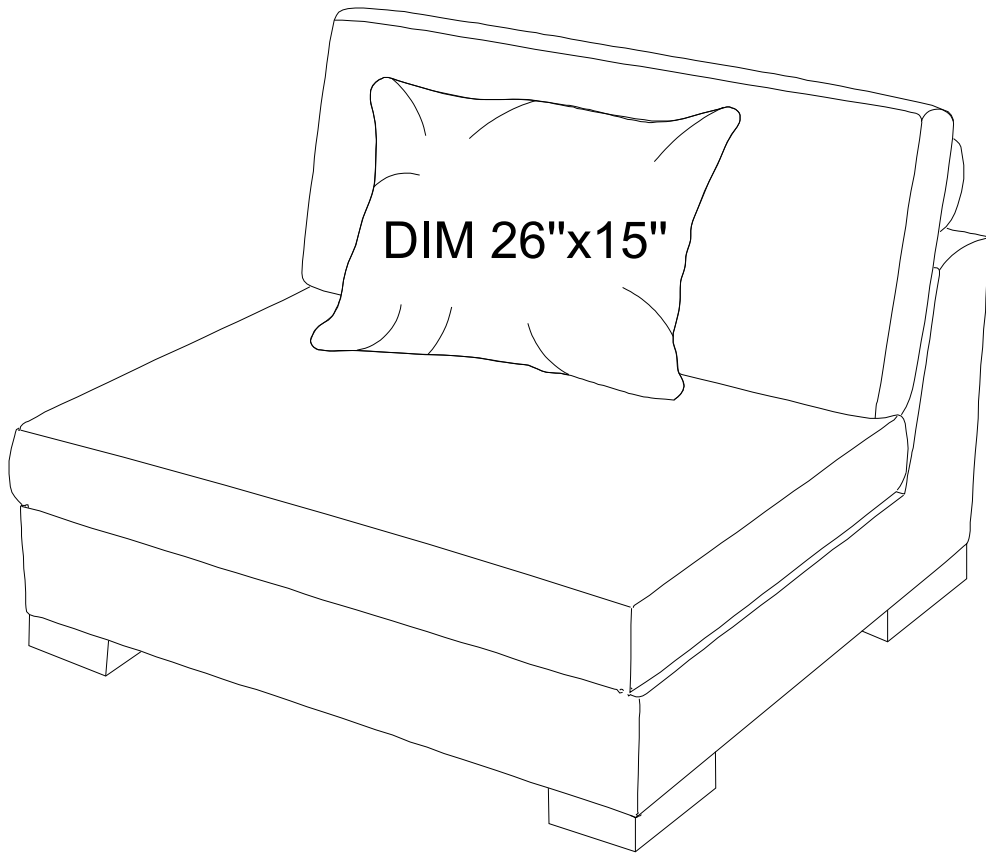
Step 2



Step 3

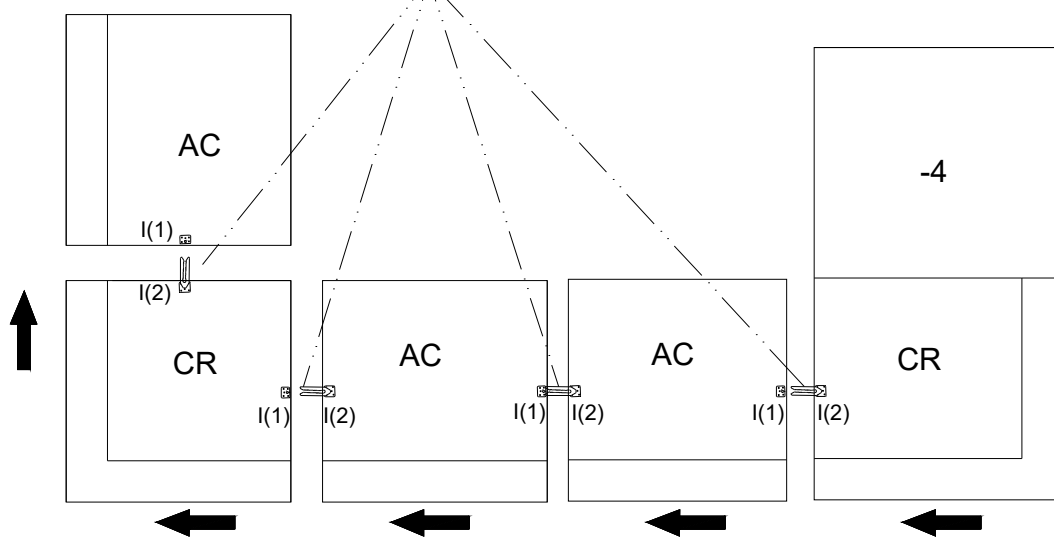
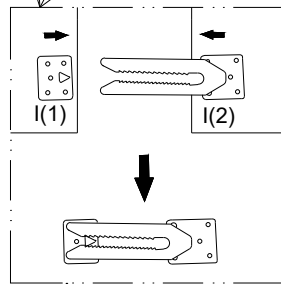
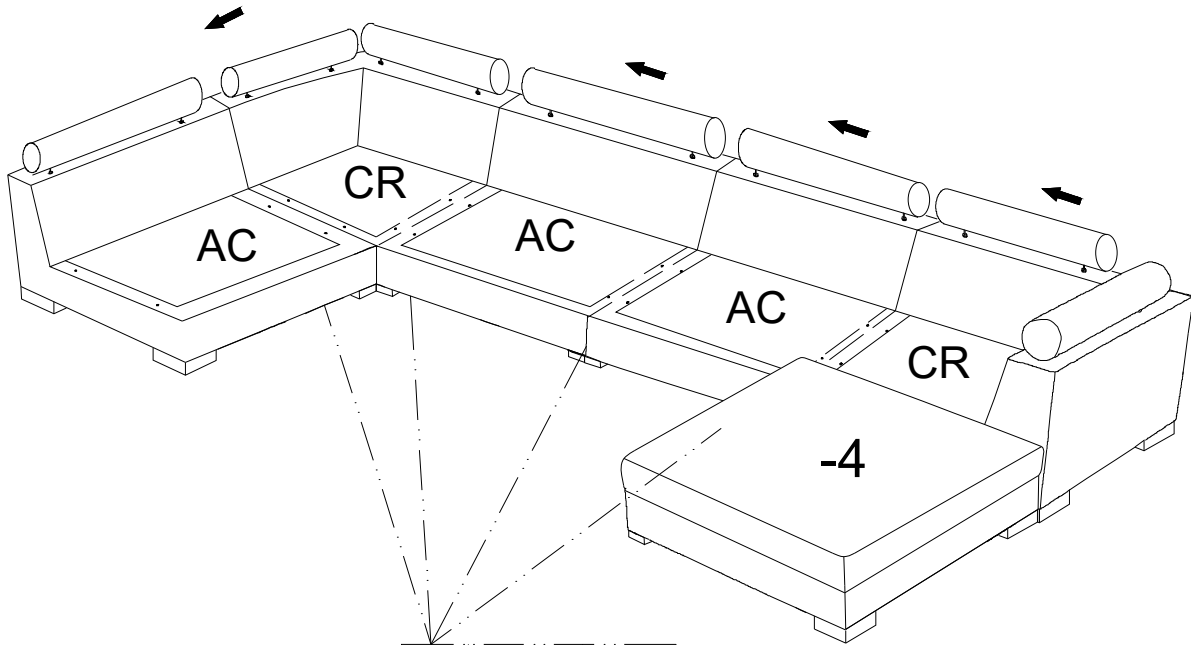


# ASSEMBLY INSTRUCTION



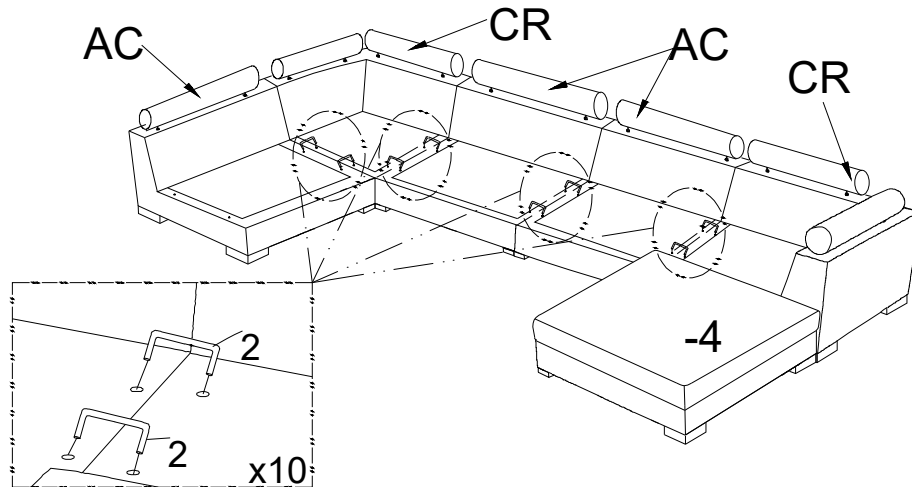
# ASSEMBLY INSTRUCTION

## STEP 1

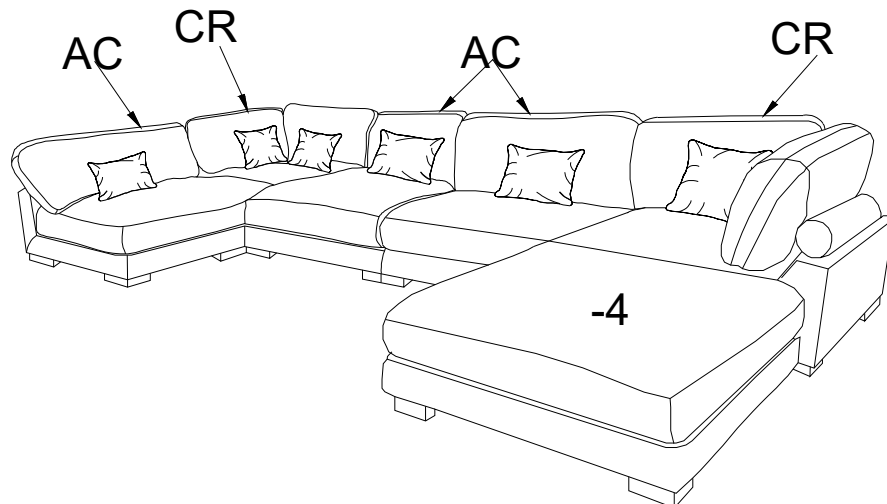


# ASSEMBLY INSTRUCTION

## STEP 2



## STEP 3



### Care Instruction for Corduroy Furniture:

In order to maintain the original appearance of your Corduroy furniture, please follow below simple care procedures:

- Avoid exposing furniture directly to sunlight or heating and air conditioning outlets. Sunlight and or exposure to heating and air conditioning outlets will fade/damage Corduroy.
- Vacuum or wipe with a soft cloth to remove dust.
- Hardware may loosen over time. Periodically check to make sure all connection are tight, Re-tighten if necessary.




For item use on wooden floor, hard surfaces or carpets, it is recommended to install protective pads under all legs and supports to avoid/prevent from damages/scratches and discoloration.



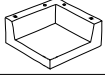
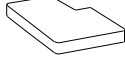



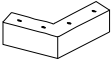

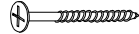



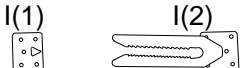
# ASSEMBLY INSTRUCTION

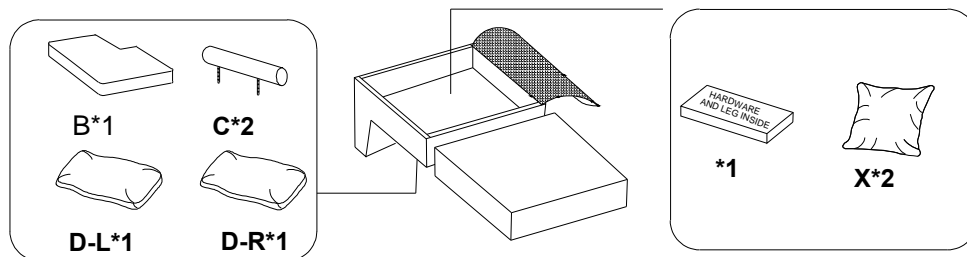
## Reversible Chaise w/ 2 Pillows

 Legs and hardware are stored in the box, please take out for assembly.

**NOTE:** Do not use power tools for assembly. Power tools increase the risk of over tightening which lead to splitting or cracking the wood.

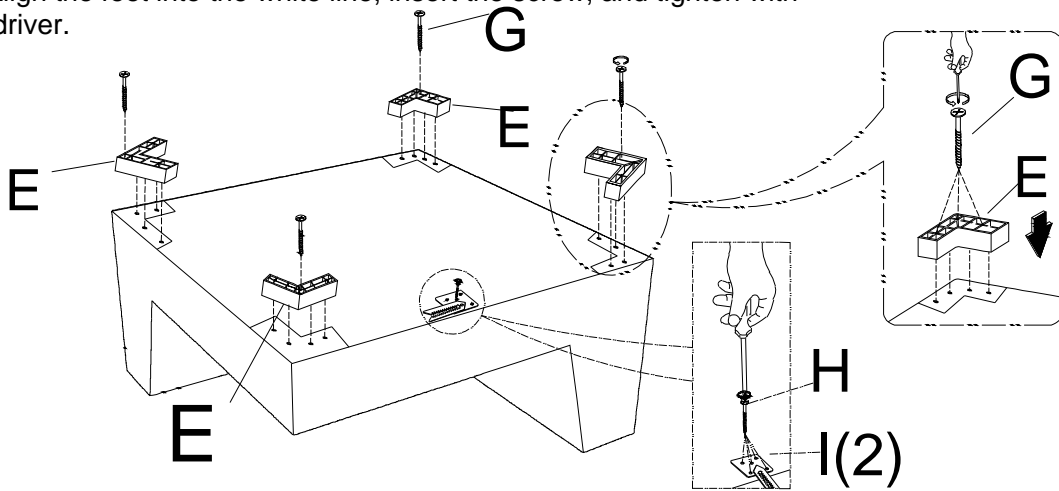
### CHAIR COMPONENT LIST

NO	DRAWING	QTY	DESCRIPTION
A		1	SEAT
B		1	SEAT CUSHION
C		2	HEADREST
D-L		1	L LSF BACK CUSHION
D-R		1	R RSF BACK CUSHION
E		8	PLASTIC LEG
F		4	CONNECTOR
G		32	SCREW #4X45MM
X		2	SQUARE PILLOW (DIM 21"x21")
Y		1	OTTOMAN
H		10	SCREW #4X25MM
I		2	ALLIGATOR INSERT

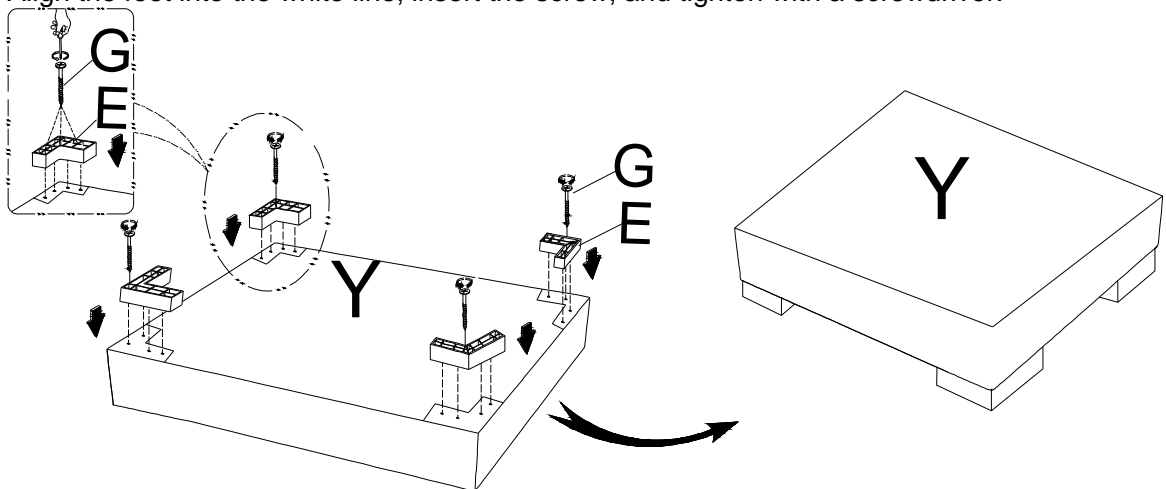


# ASSEMBLY INSTRUCTION

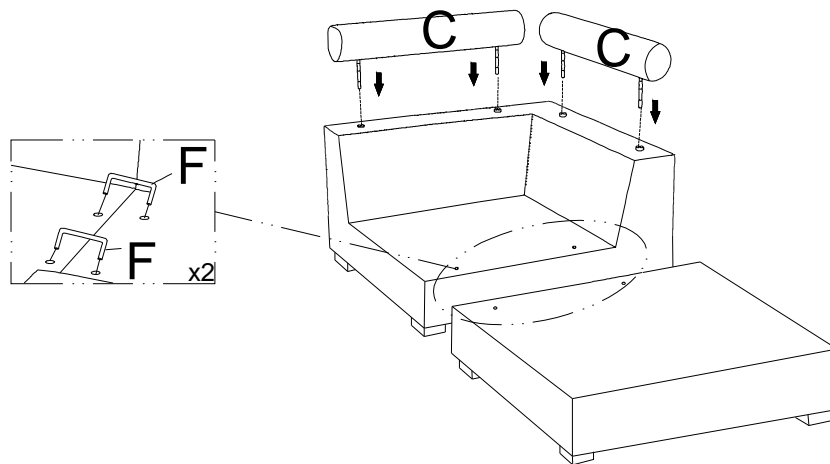
Step 1 Align the feet into the white line, insert the screw, and tighten with a screwdriver.



Step 2 Align the feet into the white line, insert the screw, and tighten with a screwdriver.

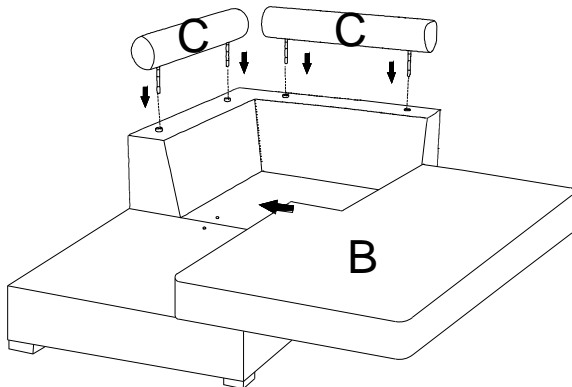


Step 3

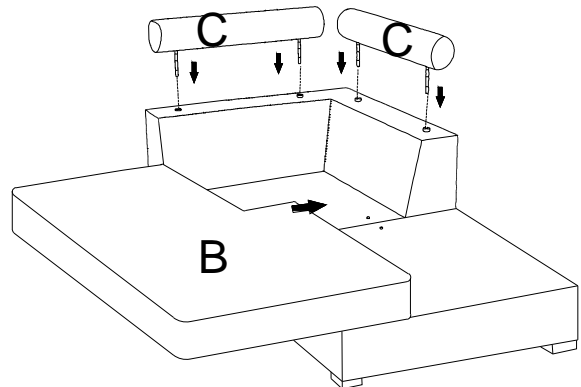


# ASSEMBLY INSTRUCTION

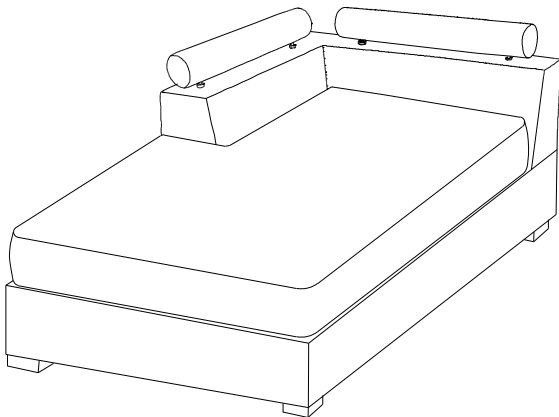
Step 4-L



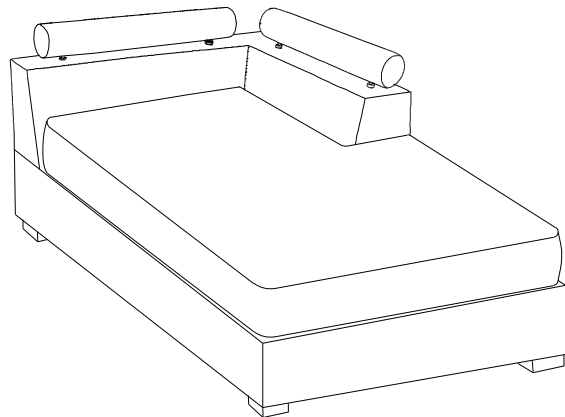
Step 4-R



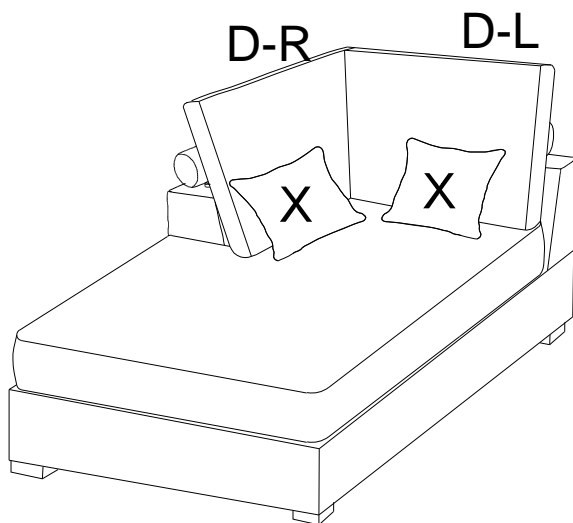
Step 5-L



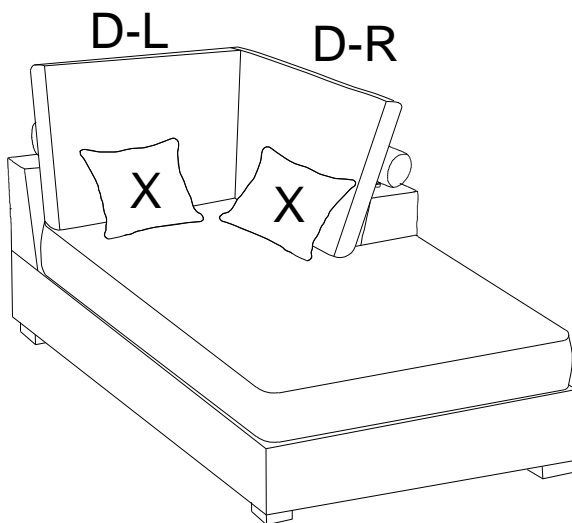
Step 5-R



Step 6-L

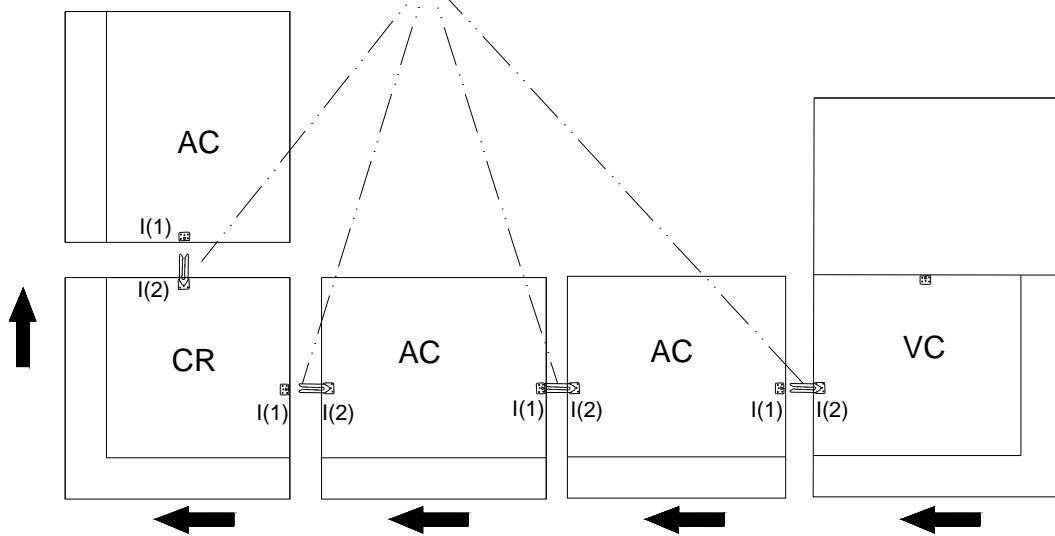
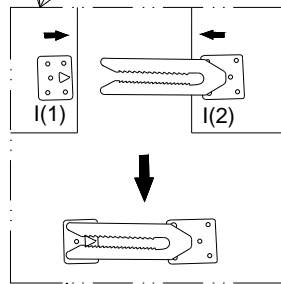
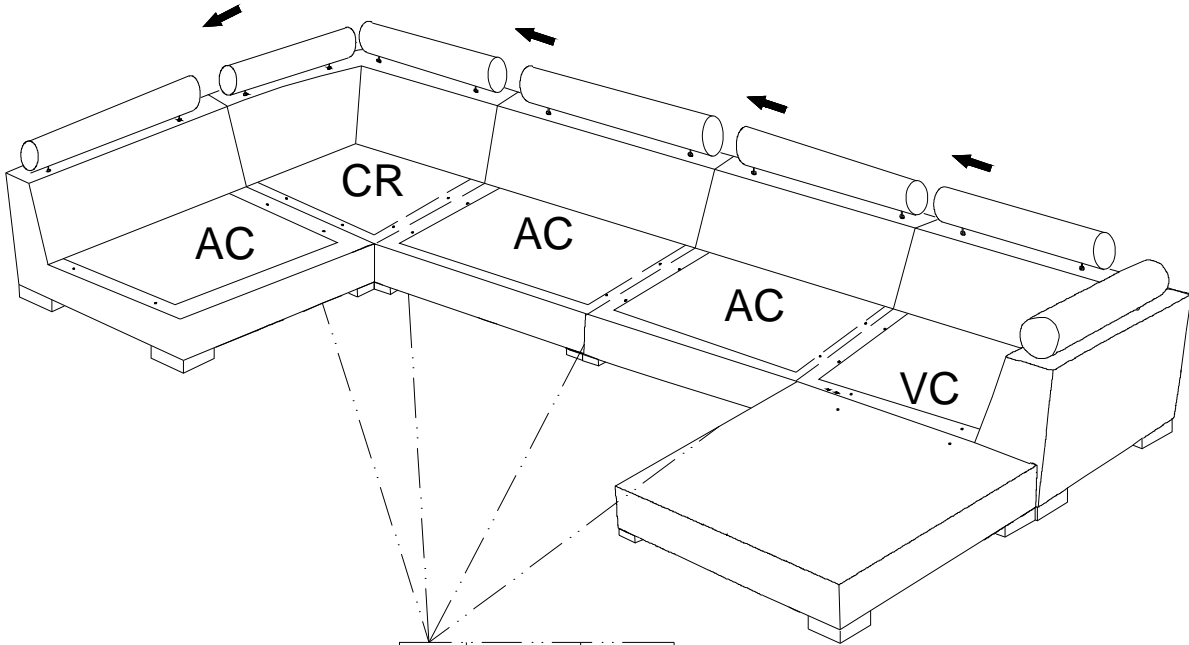


Step 6-R



# ASSEMBLY INSTRUCTION

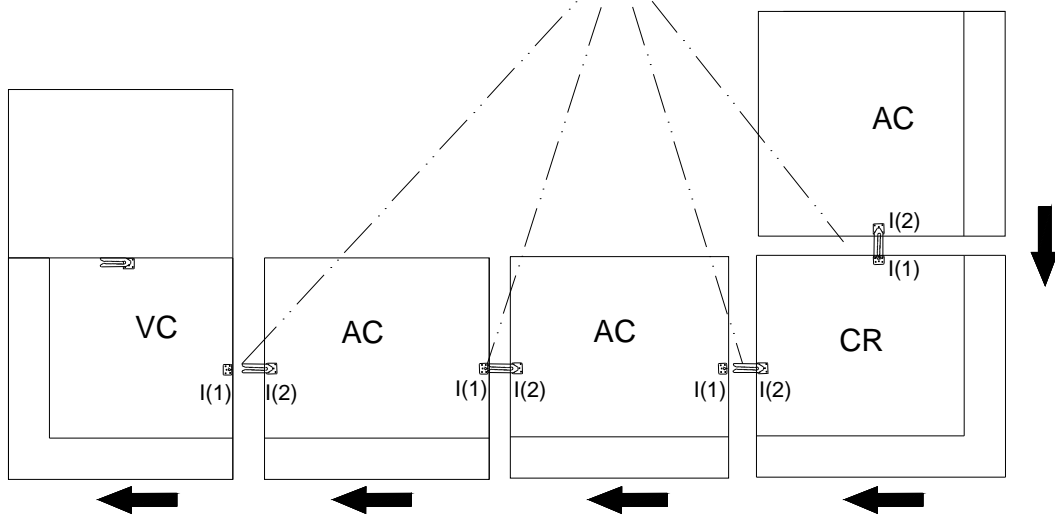
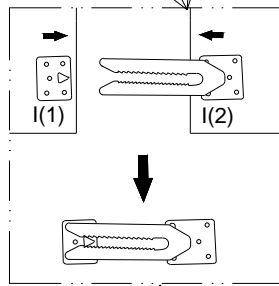
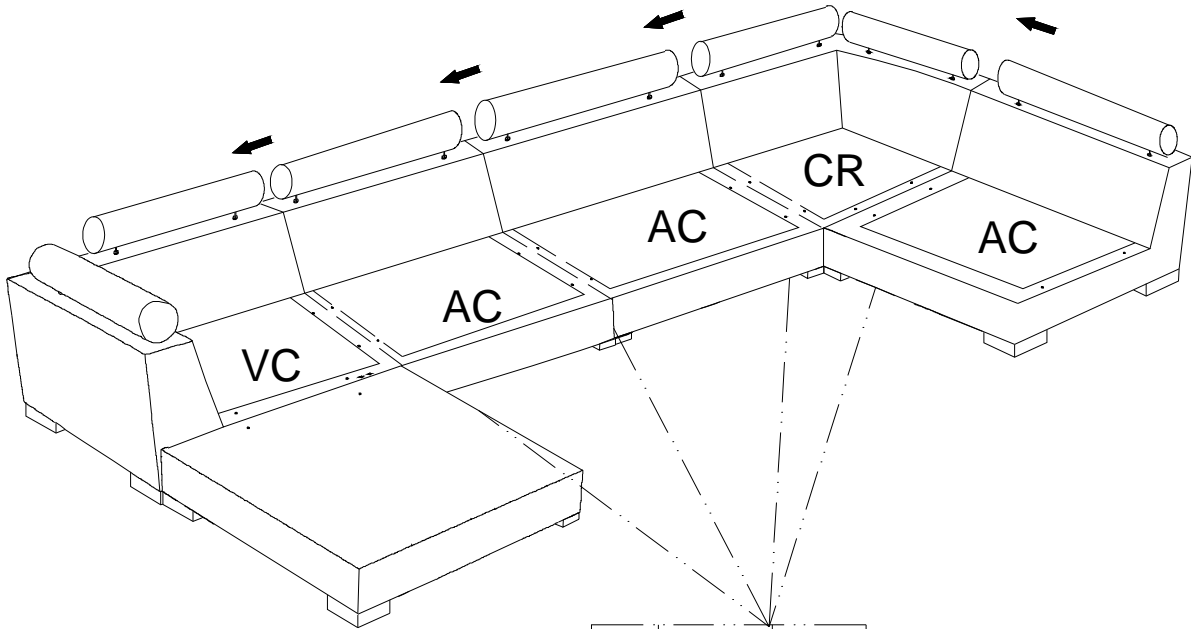
## STEP 1-R



BOTTOM VIEW

# ASSEMBLY INSTRUCTION

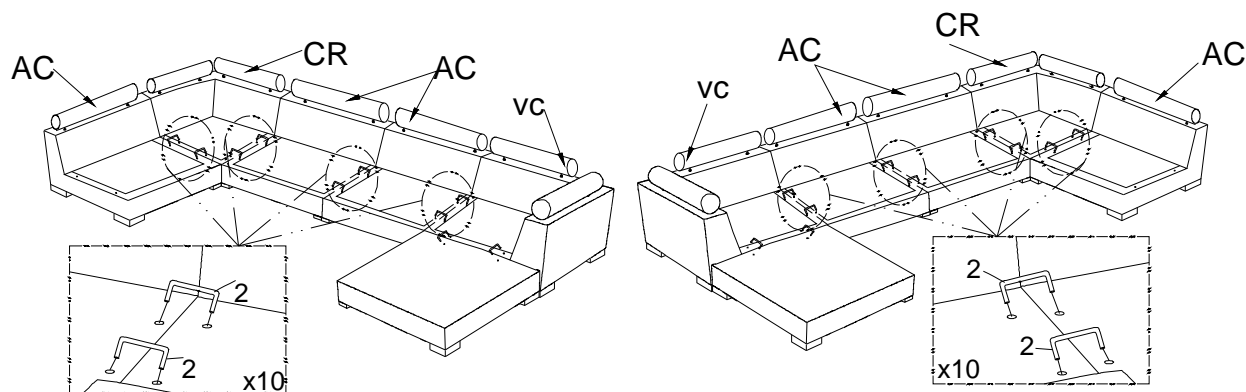
## STEP 1-L



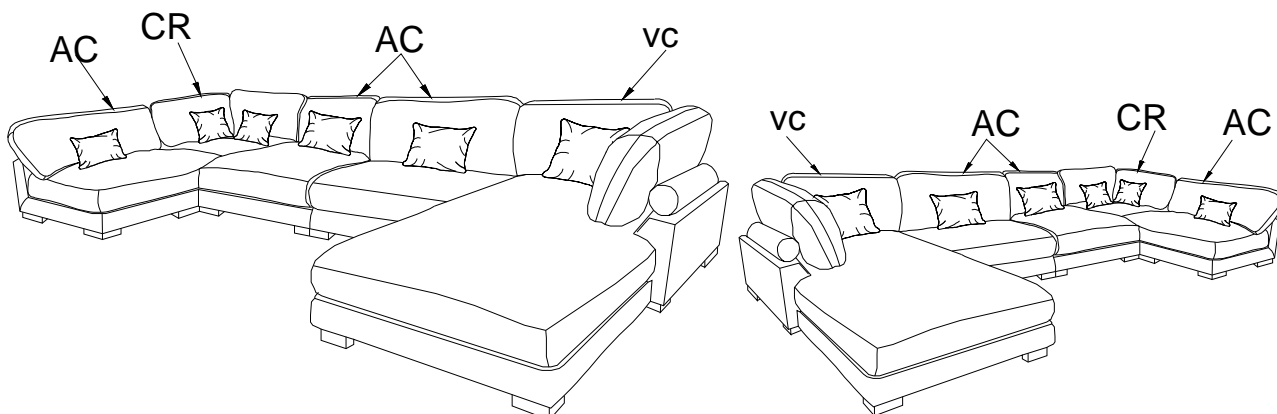
BOTTOM VIEW

# ASSEMBLY INSTRUCTION

## STEP 2



## STEP 3



### Care Instruction for Corduroy Furniture:

In order to maintain the original appearance of your Corduroy furniture, please follow below simple care procedures:

Avoid exposing furniture directly to sunlight or heating and air conditioning outlets. Sunlight and or exposure to heating and air conditioning outlets will fade/damage Corduroy.

Vacuum or wipe with a soft cloth to remove dust.

Hardware may loosen over time. Periodically check to make sure all connection are tight, Re-tighten if necessary.




For item use on wooden floor, hard surfaces or carpets, it is recommended to install protective pads under all legs and supports to avoid/prevent from damages/scratches and discoloration.



# ASSEMBLY INSTRUCTION

## OTTOMAN

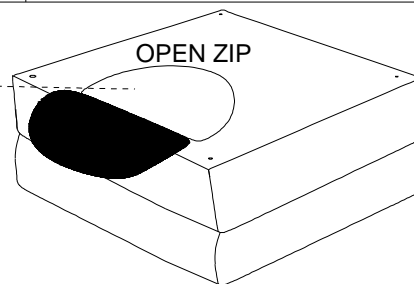
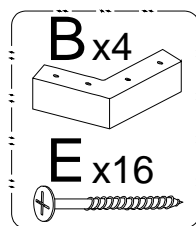
 Legs and hardware are stored in the box, please take out for assembly.

**NOTE:** Do not use power tools for assembly. Power tools increase the risk of over tightening which lead to splitting or cracking the wood.

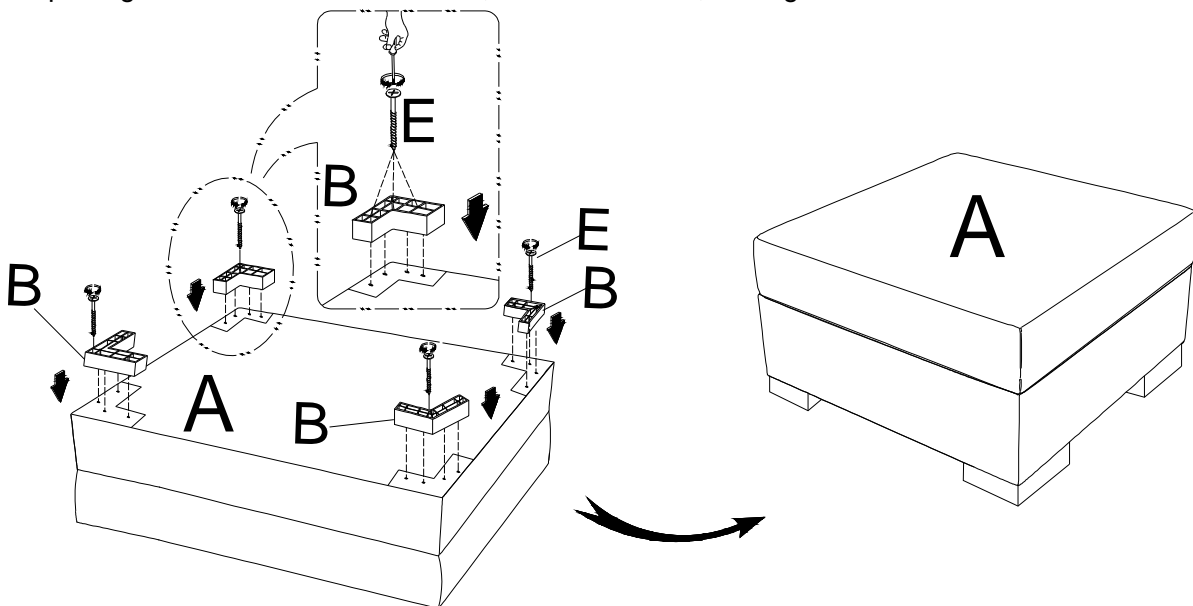
### CHAIR COMPONENT LIST

NO	DRAWING	QTY	DESCRIPTION
A		1	SEAT
B		4	PLASTIC LEG
E		16	SCREW #4 X 45MM

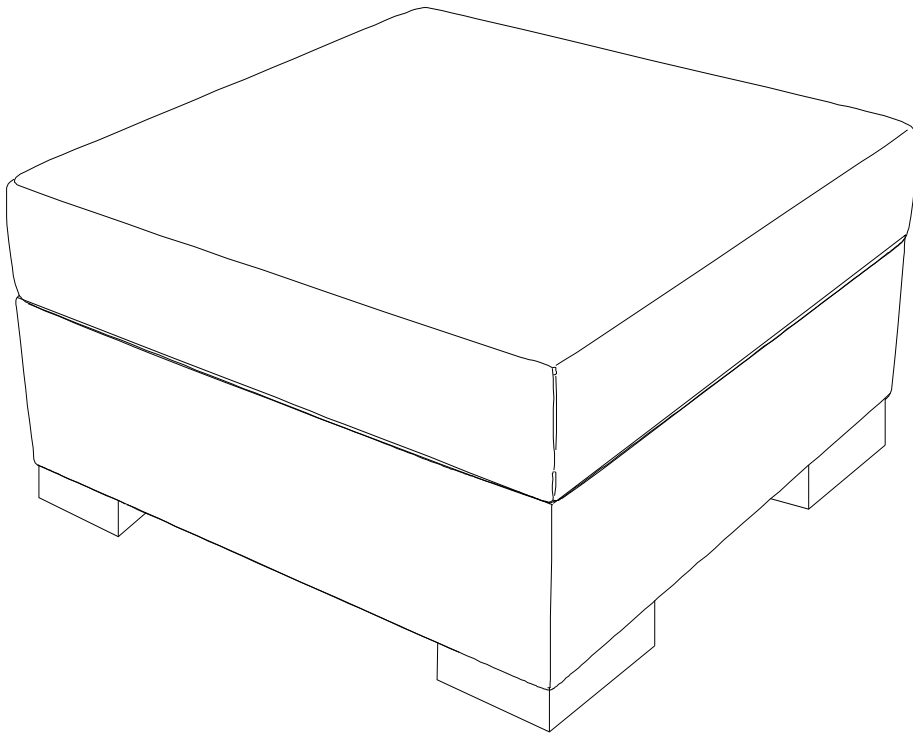
### NOTE



Step1 Align the feet into the white line, insert the screw, and tighten with a screwdriver.

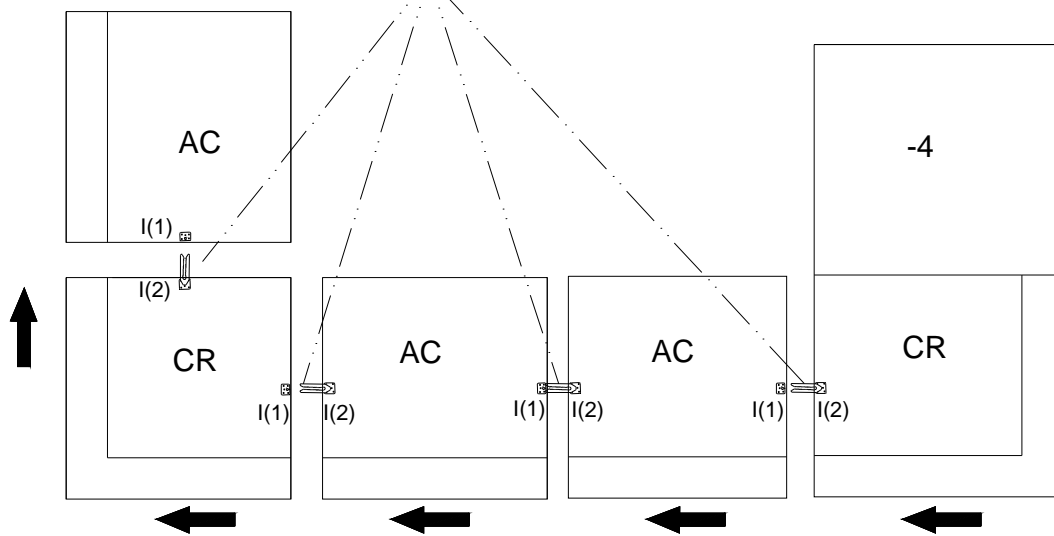
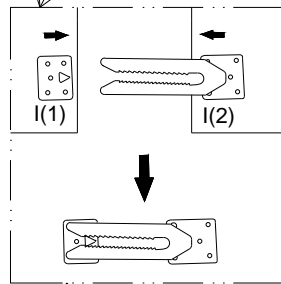
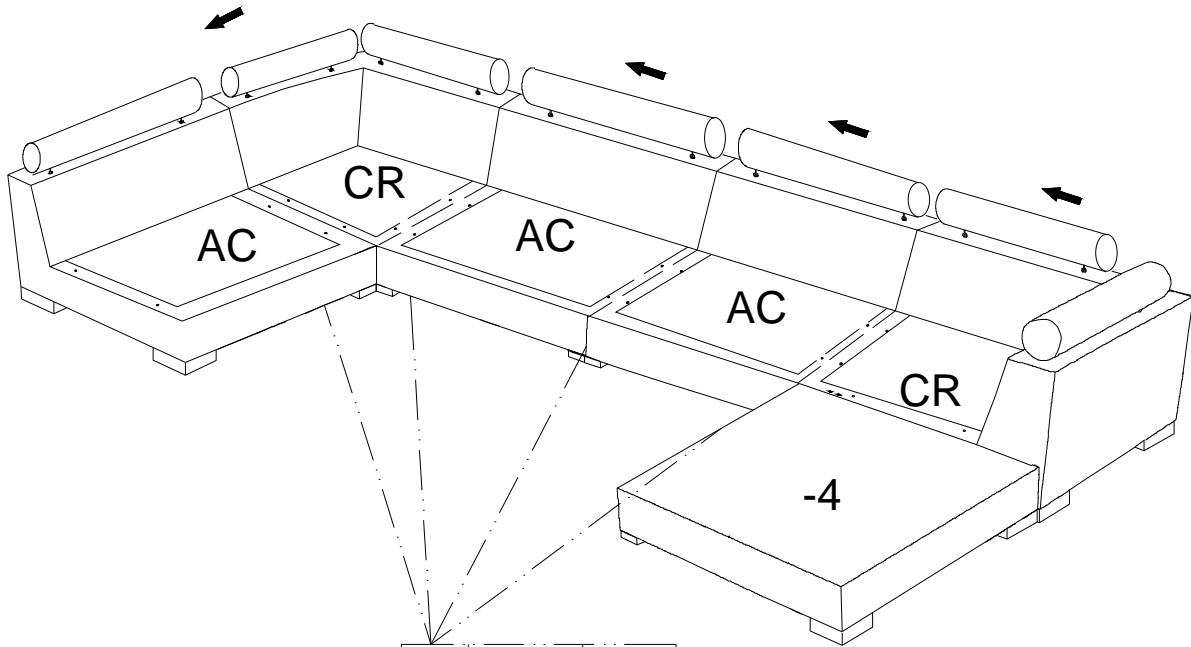


# ASSEMBLY INSTRUCTION



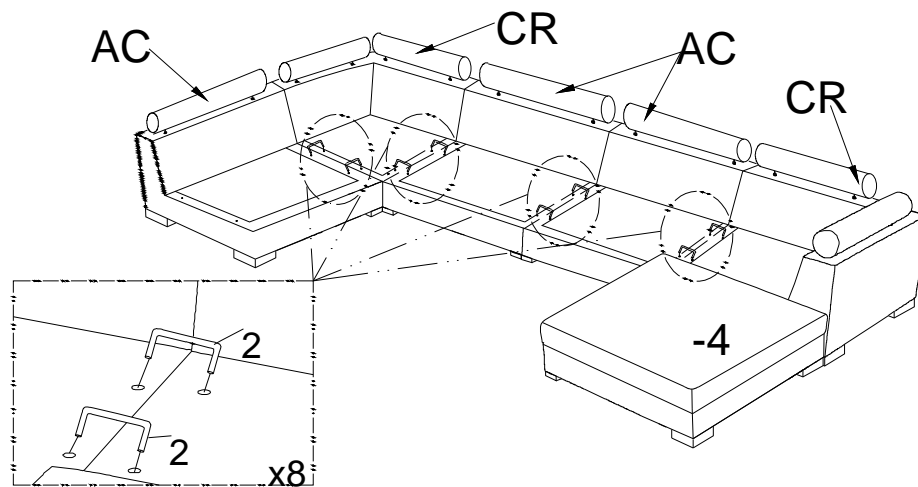
# ASSEMBLY INSTRUCTION

## STEP 1

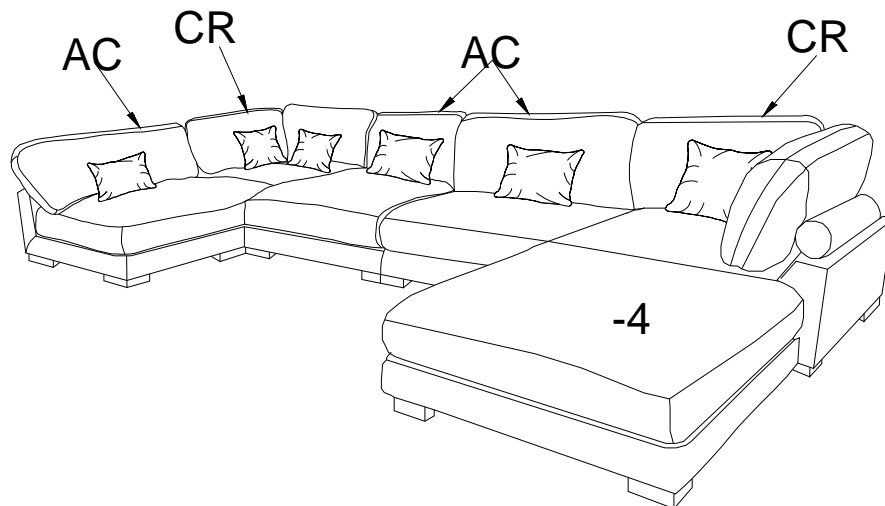


# ASSEMBLY INSTRUCTION

## STEP 2



## STEP 3



### Care Instruction for Corduroy Furniture:

In order to maintain the original appearance of your Corduroy furniture, please follow below simple care procedures:

Avoid exposing furniture directly to sunlight or heating and air conditioning outlets. Sunlight and or exposure to heating and air conditioning outlets will fade/damage Corduroy.

Vacuum or wipe with a soft cloth to remove dust.

Hardware may loosen over time. Periodically check to make sure all connection are tight, Re-tighten if necessary.



For item use on wooden floor, hard surfaces or carpets, it is recommended to install protective pads under all legs and supports to avoid/prevent from damages/scratches and discoloration.