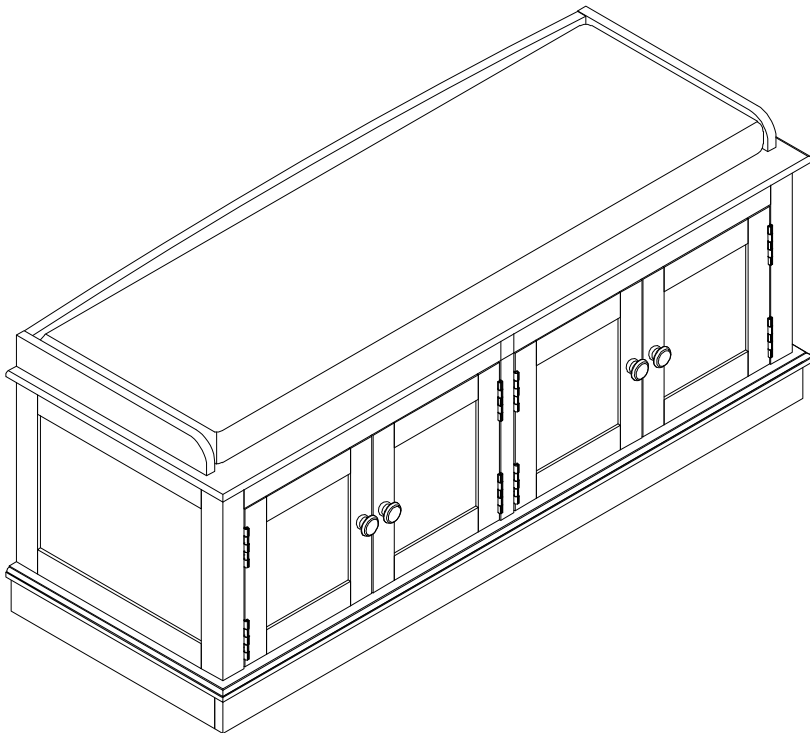


ASSEMBLY INSTRUCTIONS

CABINET

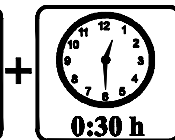
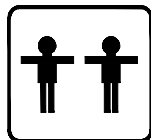
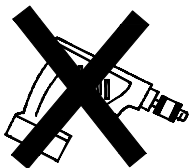


Thank you for purchasing this quality product. Be sure to check all packing material carefully for small parts which may have come loose inside the carton during shipment. Separate, identify and count all parts and hardware.

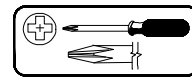
Compare with the parts list to be sure all parts are present.

"DO NOT TIGHTEN SCREWS UNTIL COMPLETELY ASSEMBLED"

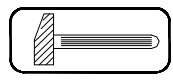
- Use of power tool to assemble this product will invalidate any claim and damage this product making unsafe !!!
- Please assemble on a clean soft surface to avoid damage.



Tools Required



(Not included)



(Not included)

IMPORTANT:

PLEASE READ INSTRUCTION BEFORE STARTING THE ASSEMBLY

Thank you for buying our products.

Please read the installation manual carefully before installation,

we need you to follow the instructions on the accessories and hardware

step by step assembly complete, our instructions are very detailed.

Products are environmentally friendly products,

Please rest assured that you do not soak in water, do not place very heavy items,

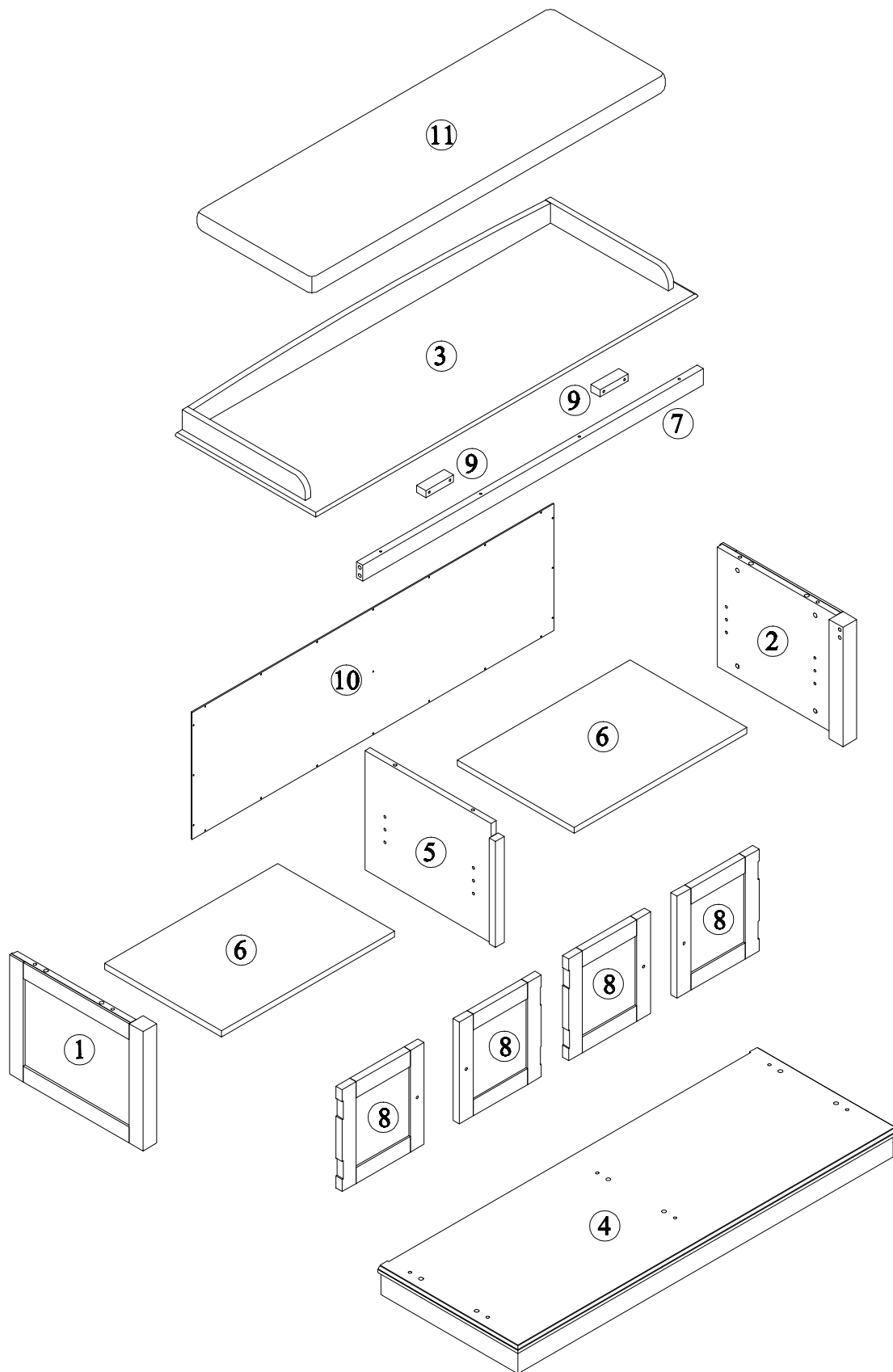
do not malicious push and pull,

if you have any problems in the process of assembly and use, please contact us.

Thank you again for your purchase of our products,

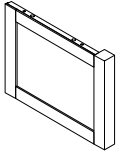
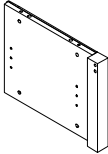
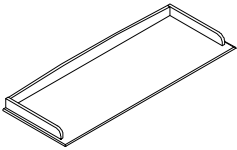
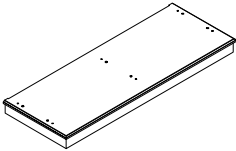
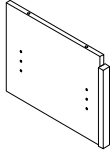
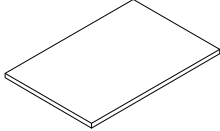
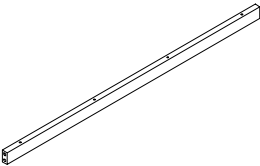
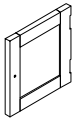
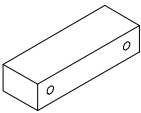
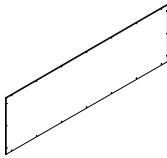
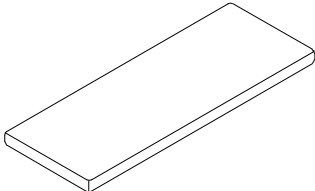
I wish you a happy life.

Detail View - CABINET

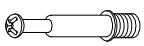

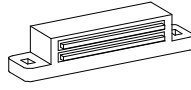

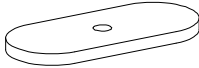
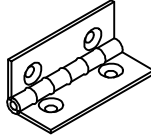

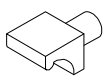


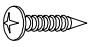

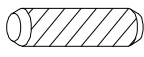



Identifying the Hardware-Identify the hardware using the illustrations below.

Part List

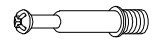
1  Left side - 1pc	2  Right side - 1pc
3  Top frames - 1pc	4  Bottom frames - 1pc
5  Middle vertical panel - 1pc	6  Mid panel - 2pcs
7  Horizontal board - 1pc	8  Cabinet door - 4pcs
9  Support - 2pcs	10  Back panel - 1pc
11  Cushions - 1pc	

Hardware List-

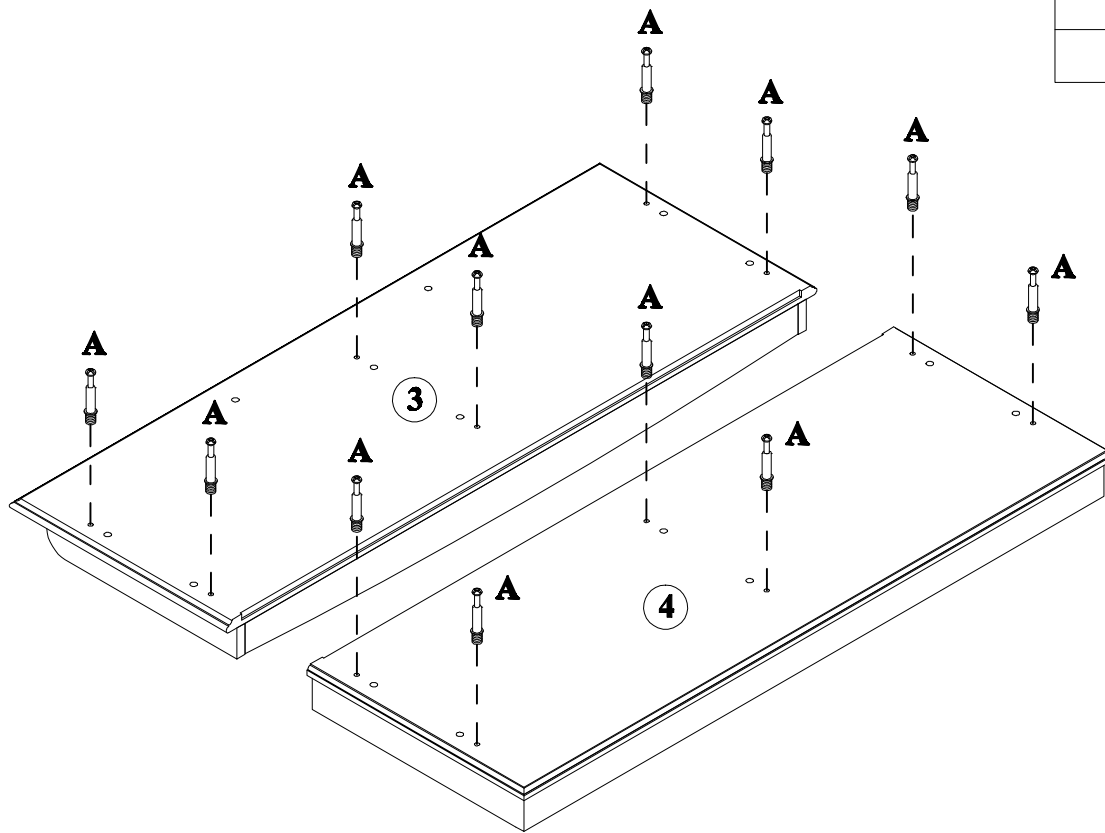
<p>A</p>  <p>ø6x35mm</p> <p>Three in one bolts(12pcs)</p>	<p>B</p>  <p>ø14.5x12mm</p> <p>Three in one lock(12pcs)</p>	<p>C</p>  <p>45x16x14mm</p> <p>Door magnet(2pcs)</p>
<p>D</p>  <p>ø6xø3x12mm</p> <p>Round head screw(4pcs)</p>	<p>E</p>  <p>35x12x1mm</p> <p>Magnetic iron sheet(4pcs)</p>	<p>F</p>  <p>Hinges(8pcs)</p>
<p>G</p>  <p>ø7xø3.5x12mm</p> <p>Flat head screw(36pcs)</p>	<p>H</p>  <p>Laminate pad(8pcs)</p>	<p>I</p>  <p>Handle(4pcs)</p>
<p>J</p>  <p>ø5/32"x25mm</p> <p>Handle screw(4pcs)</p>	<p>K</p>  <p>ø7xø3x12mm</p> <p>Round head screw(21pcs)</p>	<p>L</p>  <p>ø8xø4x30mm</p> <p>Round head screw(8pcs)</p>
<p>M</p>  <p>ø8x30mm</p> <p>Wood dowel(18pcs)</p>	<p>N</p>  <p>4mm</p> <p>Allen key(1pc)</p>	

STEP: 1

A



12PCS

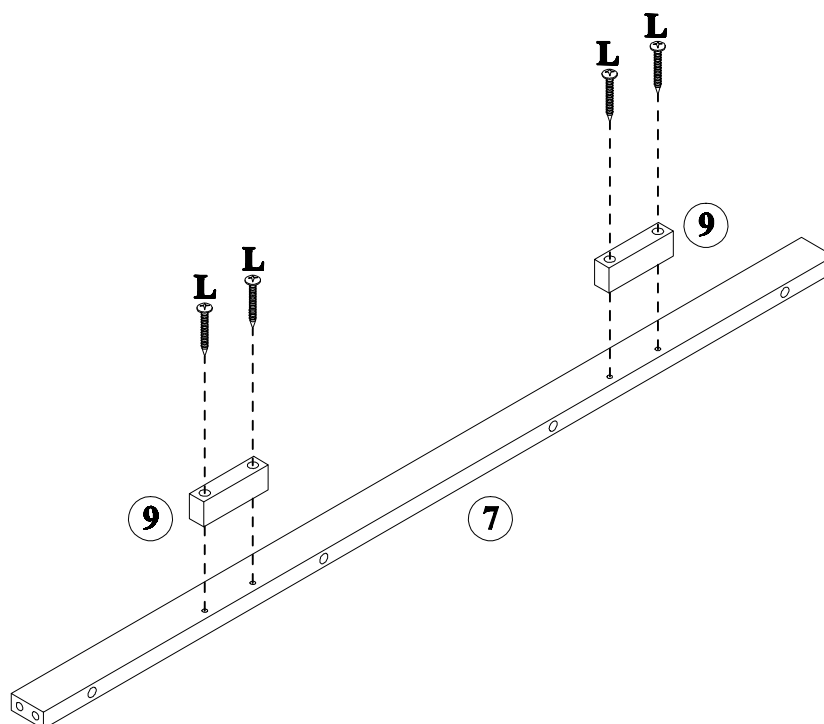


STEP: 2

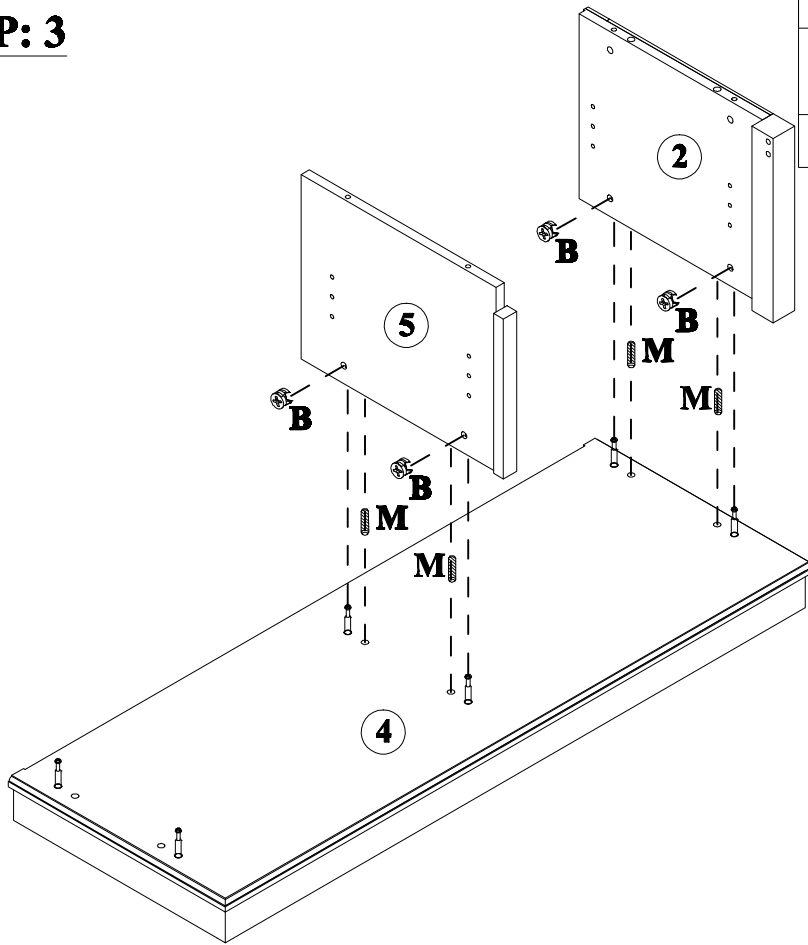
L


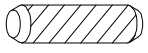


4PCS

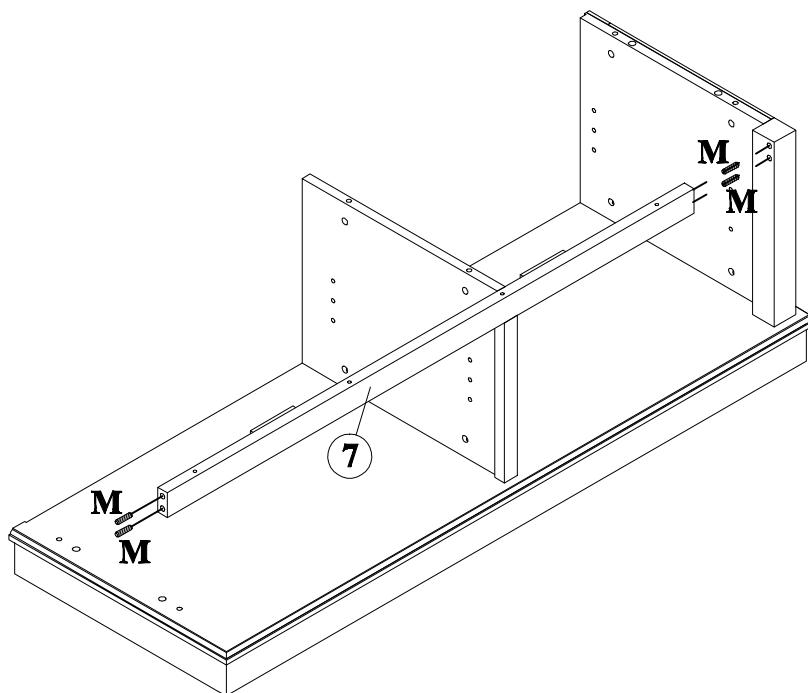



STEP: 3





B		M	
4PCS		4PCS	

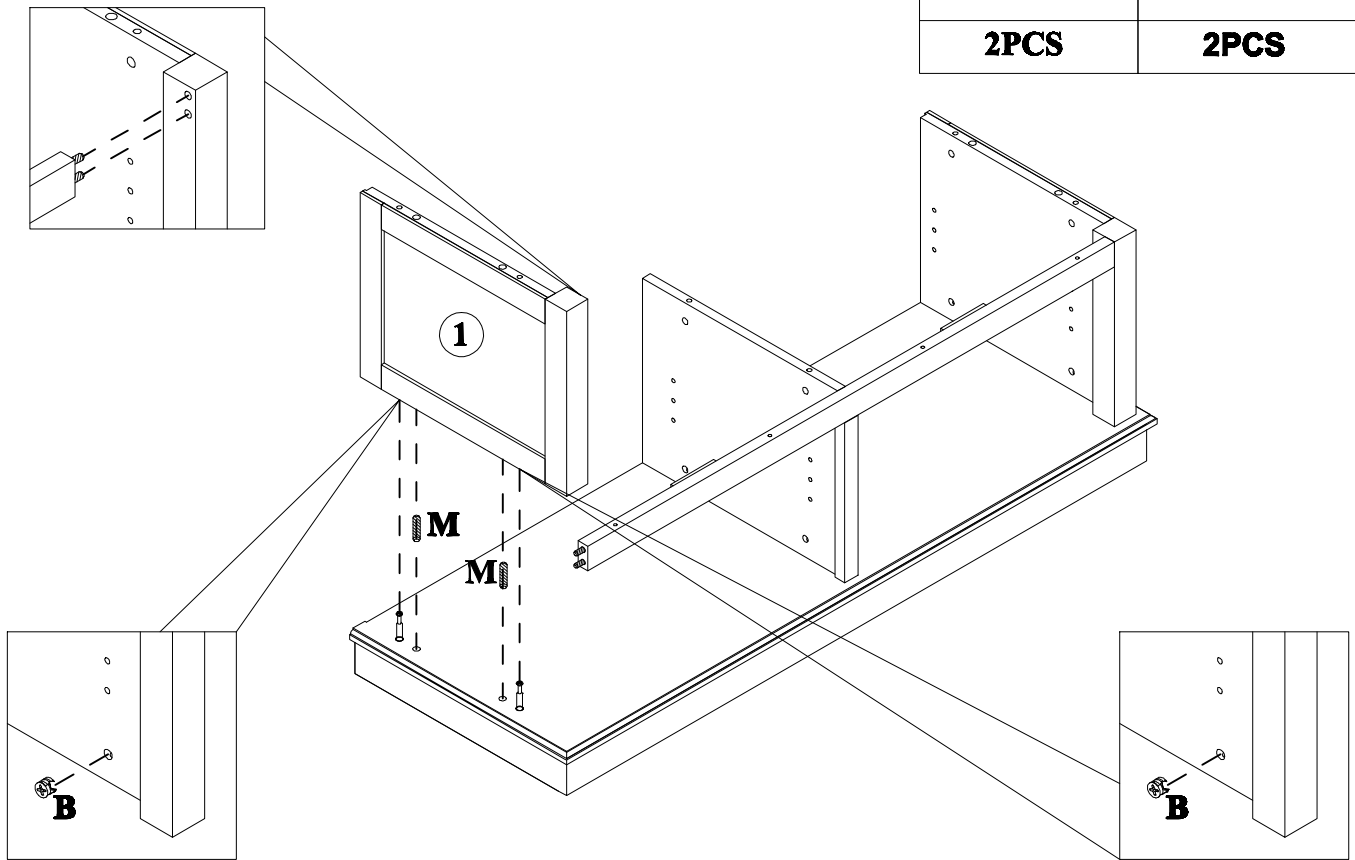
STEP: 4





M	
4PCS	

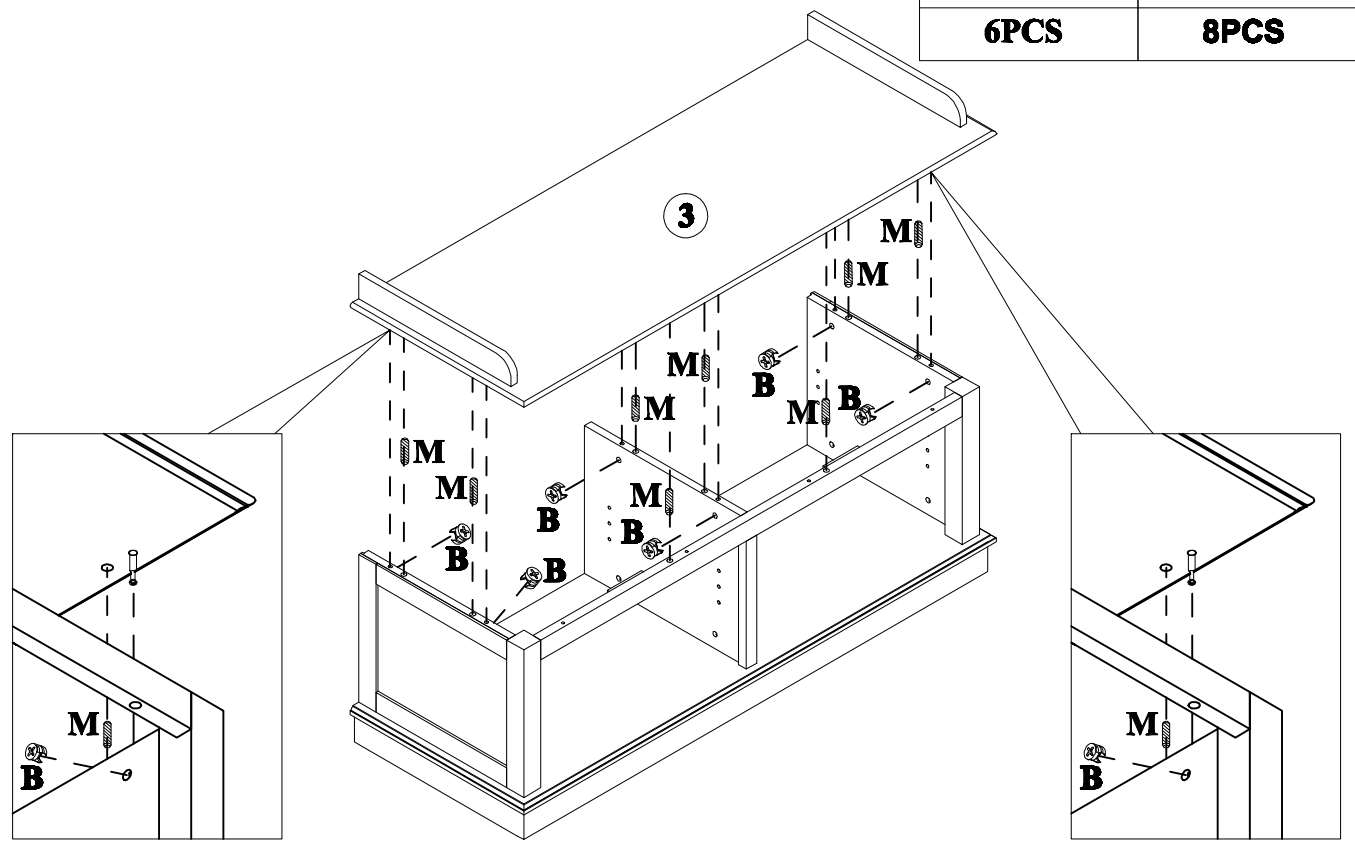
STEP: 5

B		M	
2PCS		2PCS	

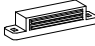




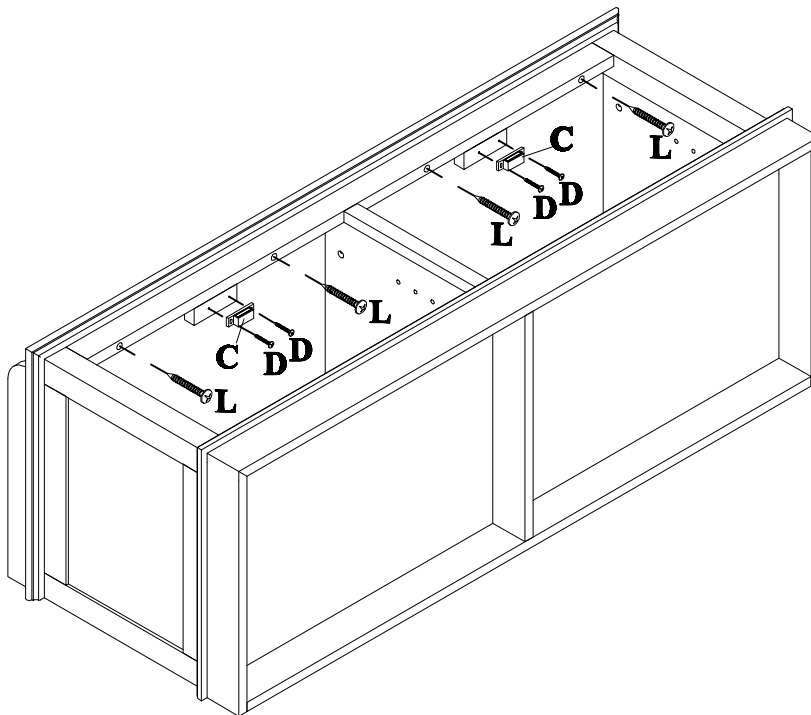
STEP: 6

B		M	
6PCS		8PCS	





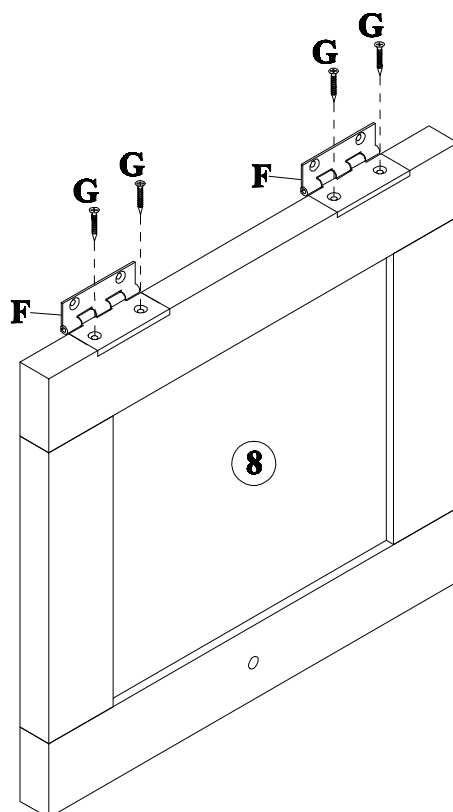
STEP: 7

C	D	L
		
2PCS	4PCS	4PCS



STEP: 8

F	G
	
8PCS	16PCS



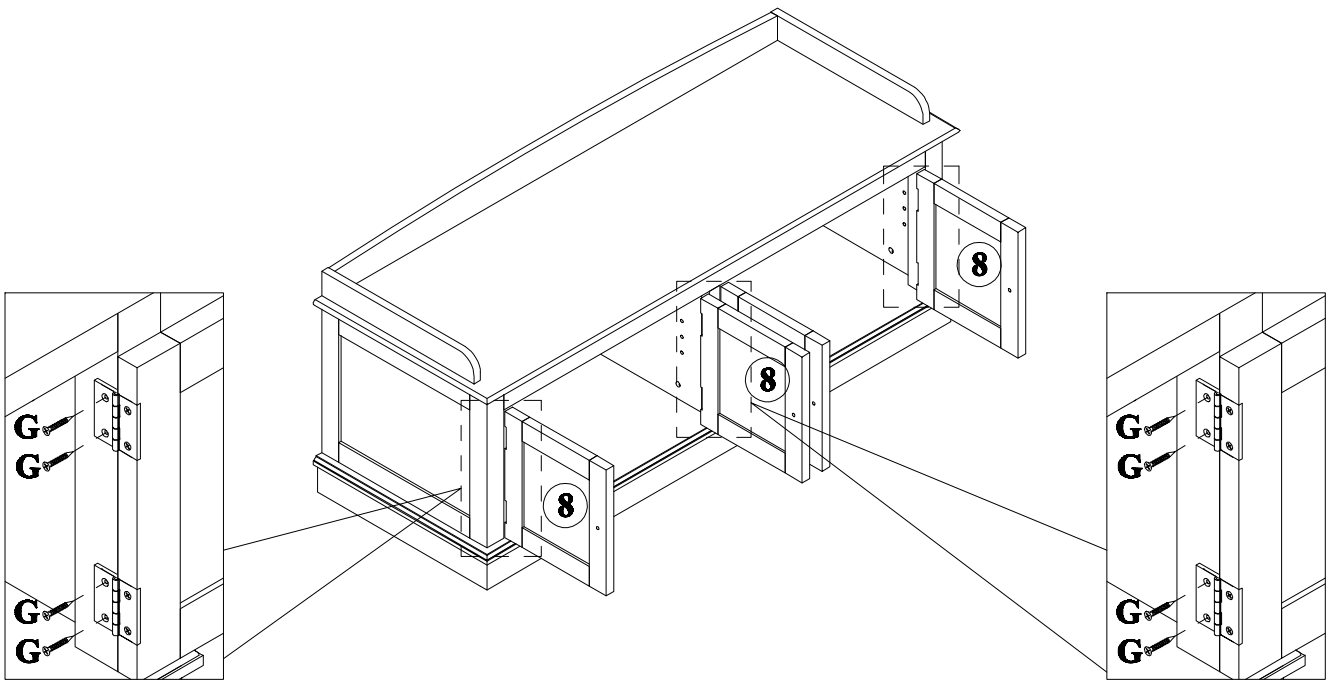
X 4

STEP: 9

G



16PCS



STEP: 10

E



4PCS

G



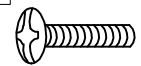
4PCS

I

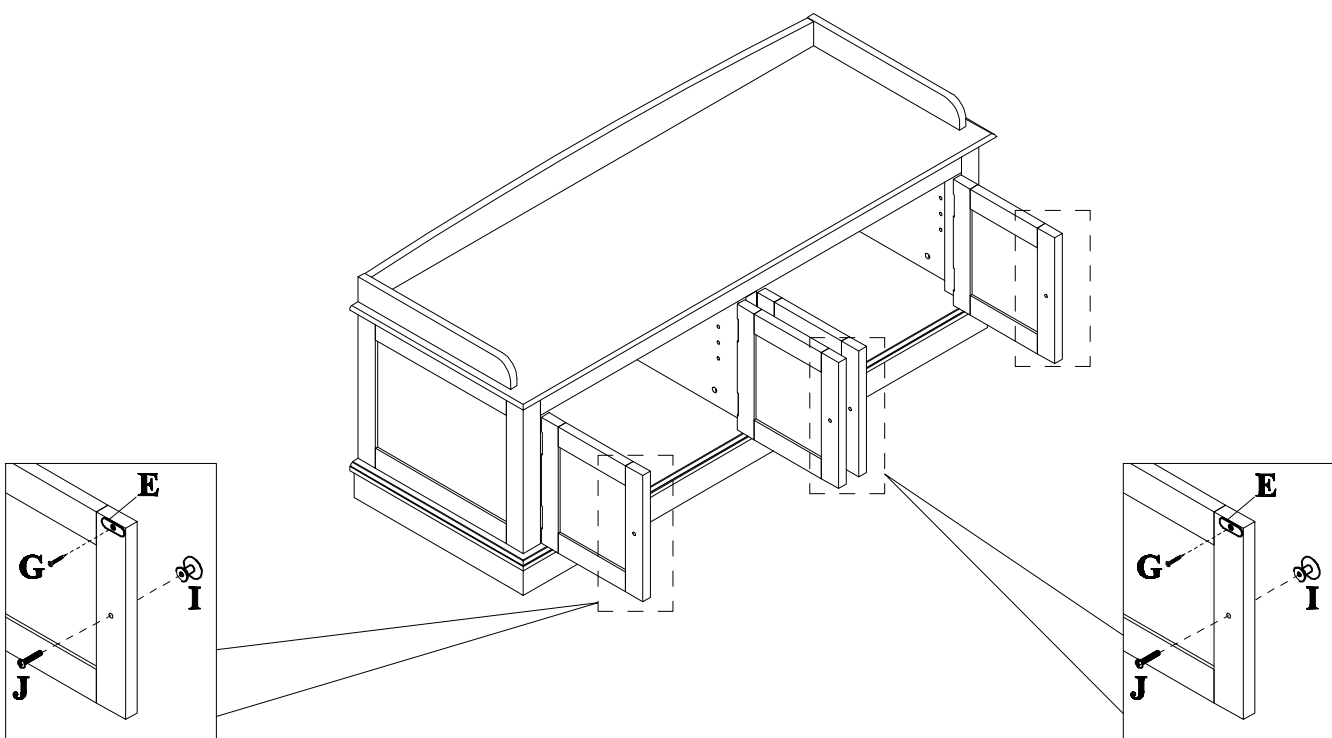


4PCS

J



4PCS

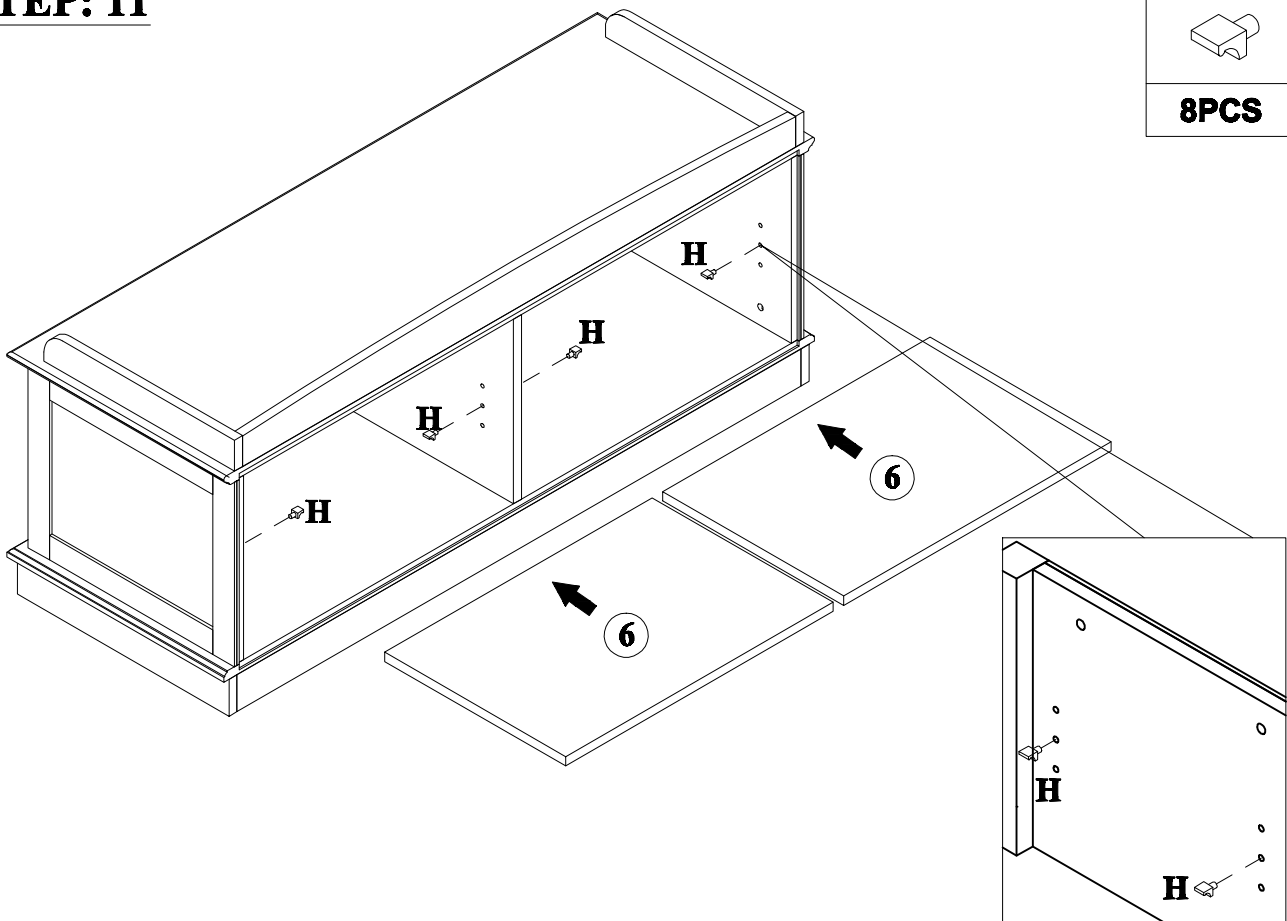


STEP: 11

H

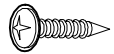


8PCS

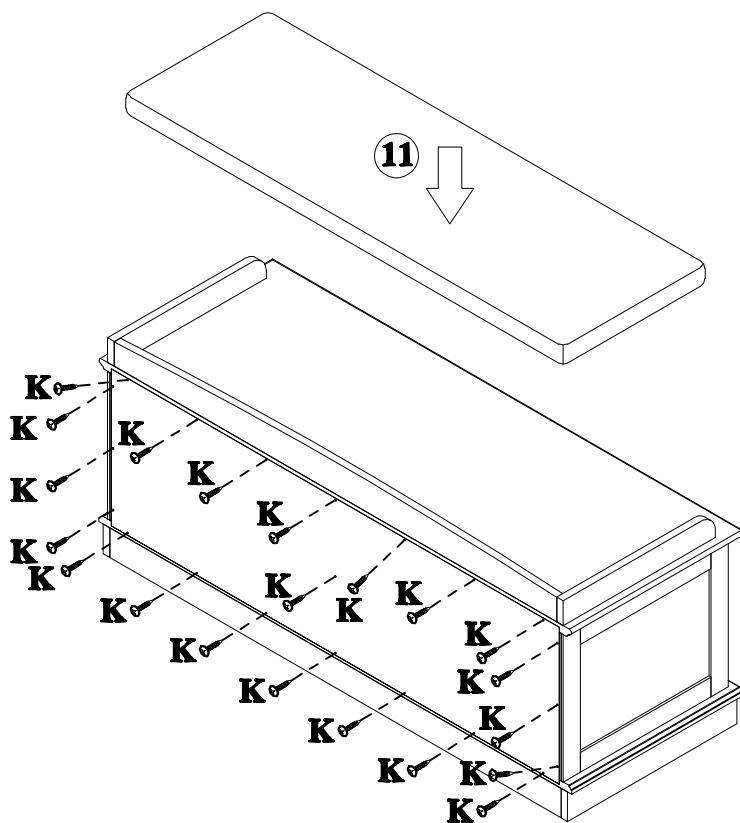


STEP: 12

K



21PCS



STEP: 13

