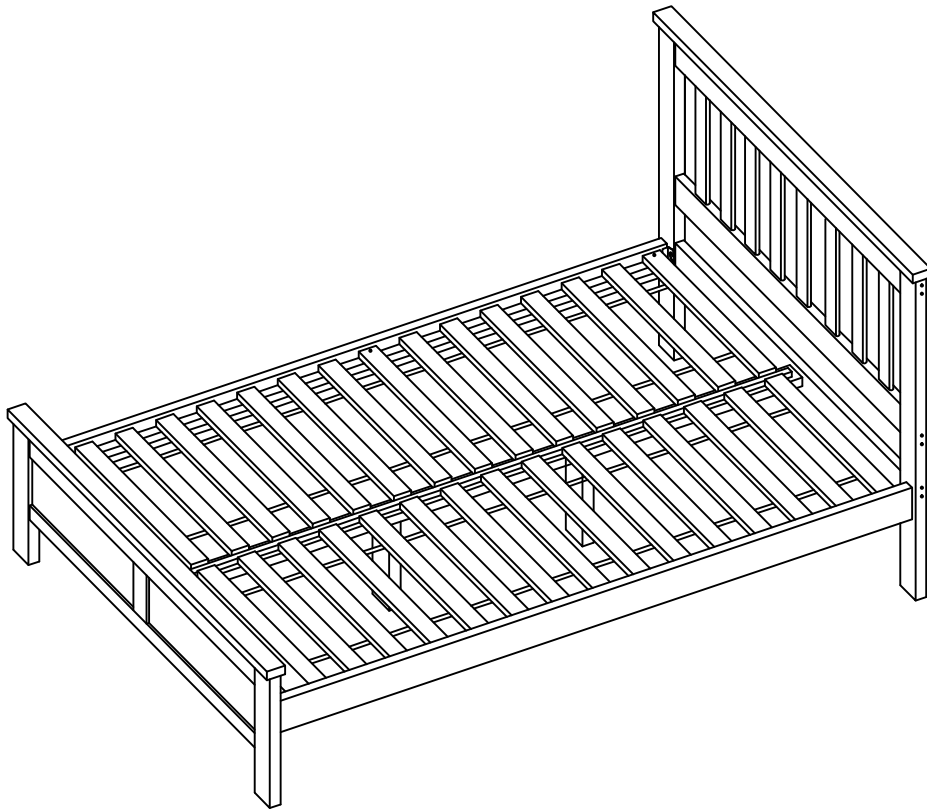





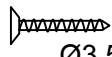
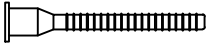
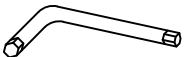






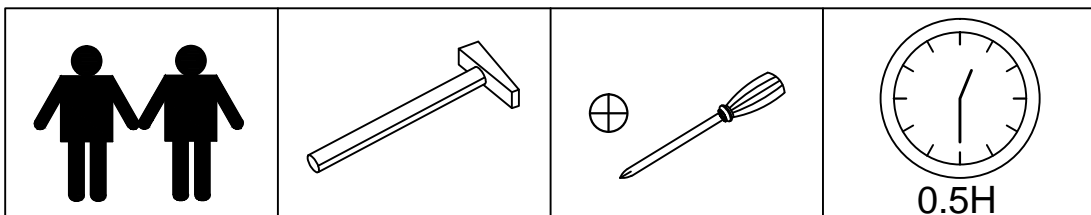
Assembly instruction

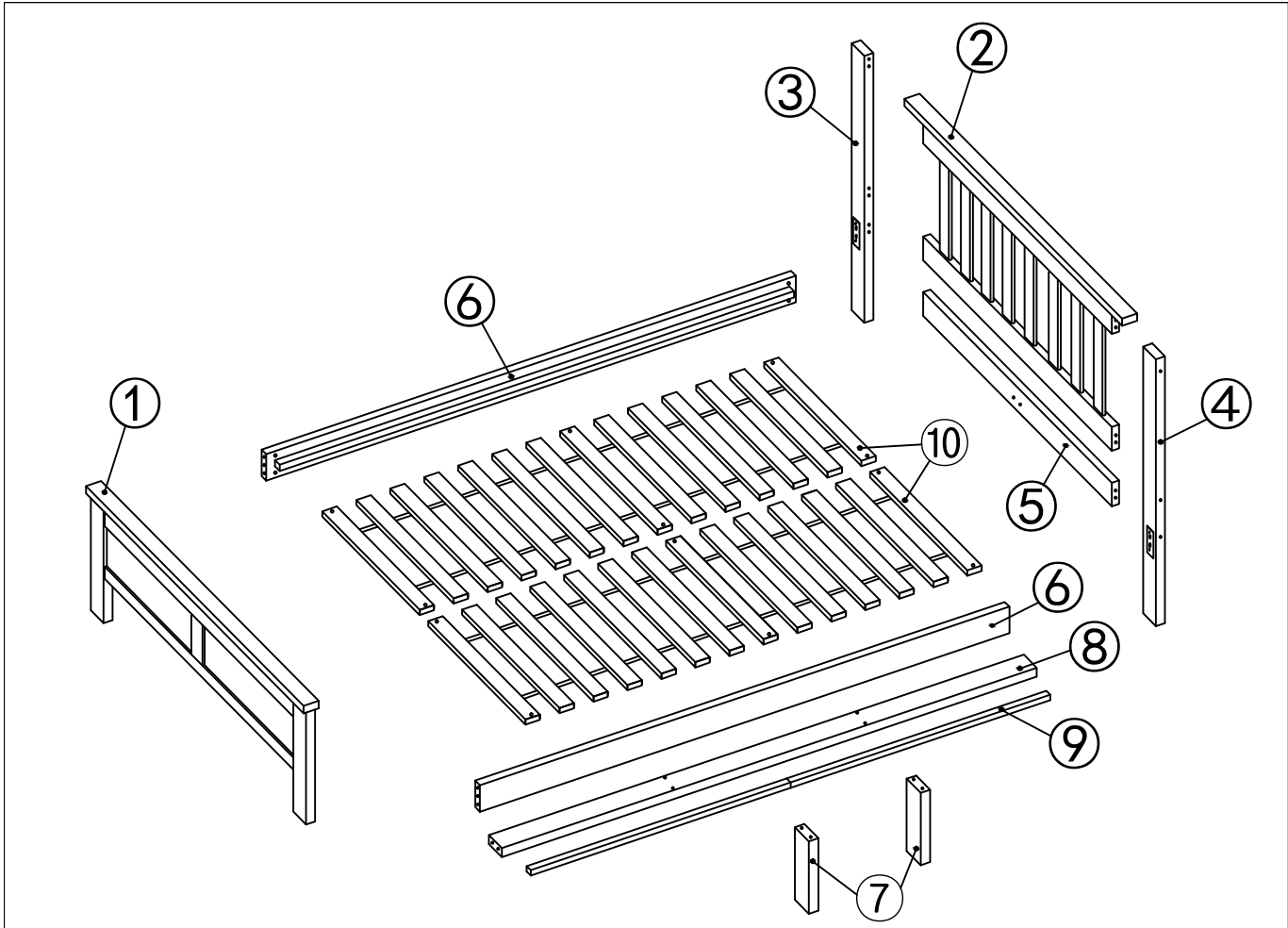


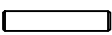
HARDWARE

A	 	08
B		06
C	 $\text{\O}8 \times 30\text{mm}$	06
D	  $\text{\O}3.5 \times 25\text{mm}$	19

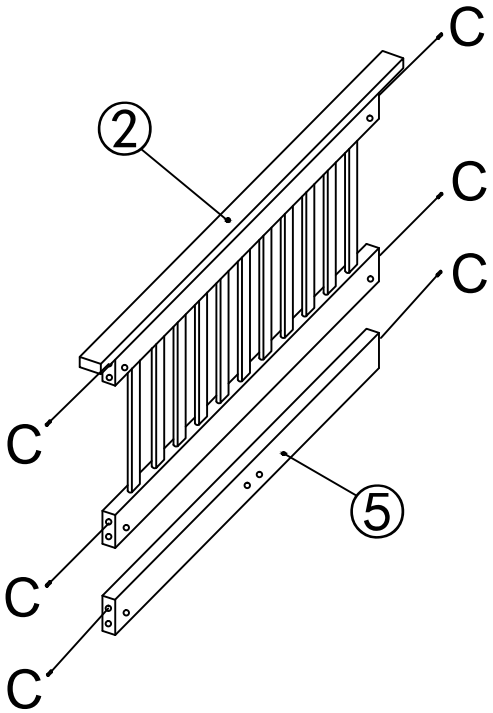
E	 $\text{\O}7 \times 50\text{mm}$	06
F		01
G	  $M6 \times 105\text{mm}$	06
H	  Hole sticks	06


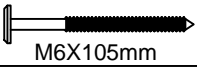

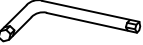




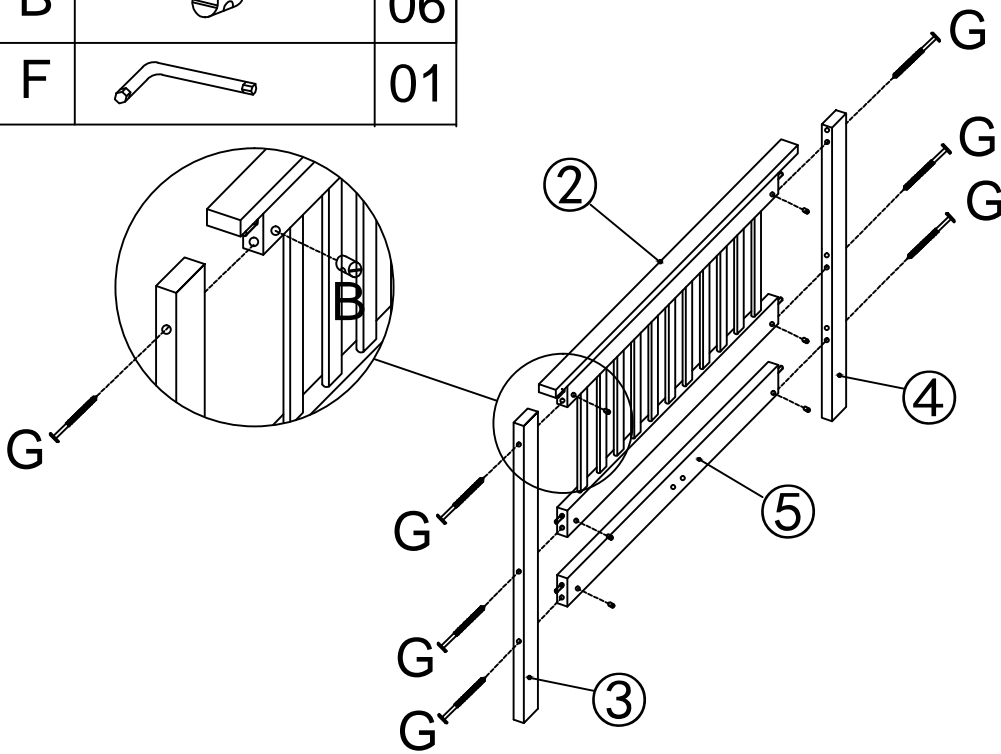
C	 Ø8X30mm	06
---	---	----

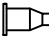
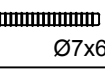
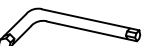
01



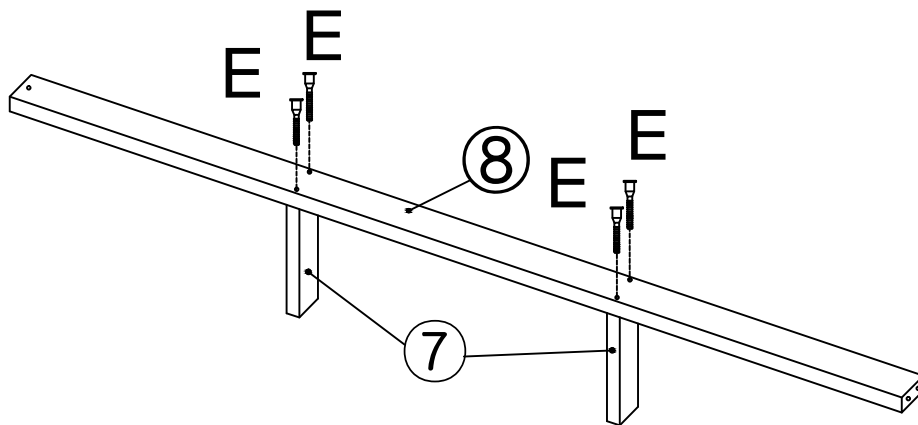
G	  M6X105mm	06
B		06
F		01

02



E	  Ø7x60mm	04
F		01

03

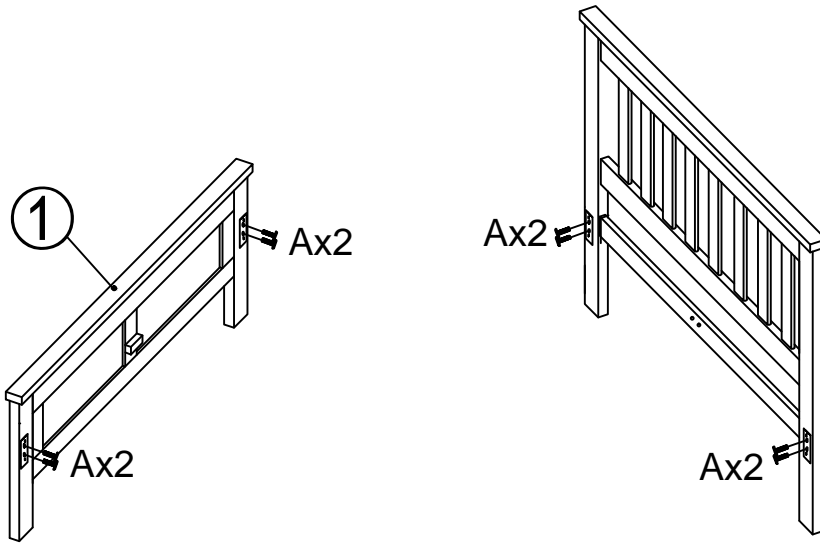


A



08

04



D



Ø7x50mm

02

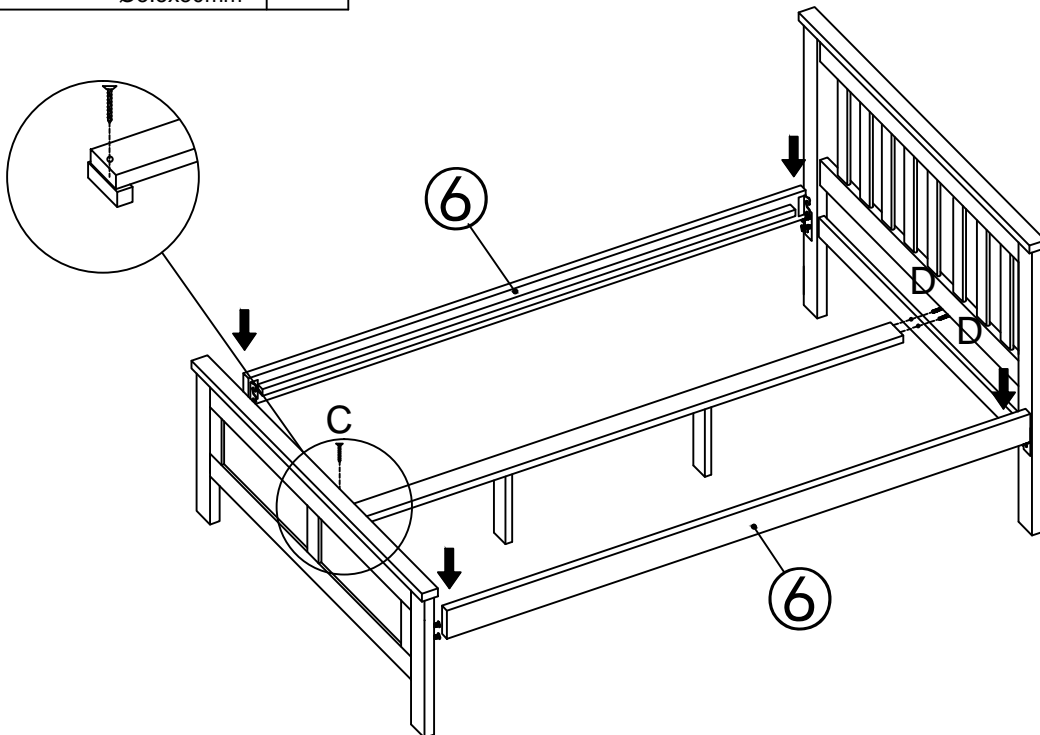
C

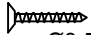


Ø3.5x30mm

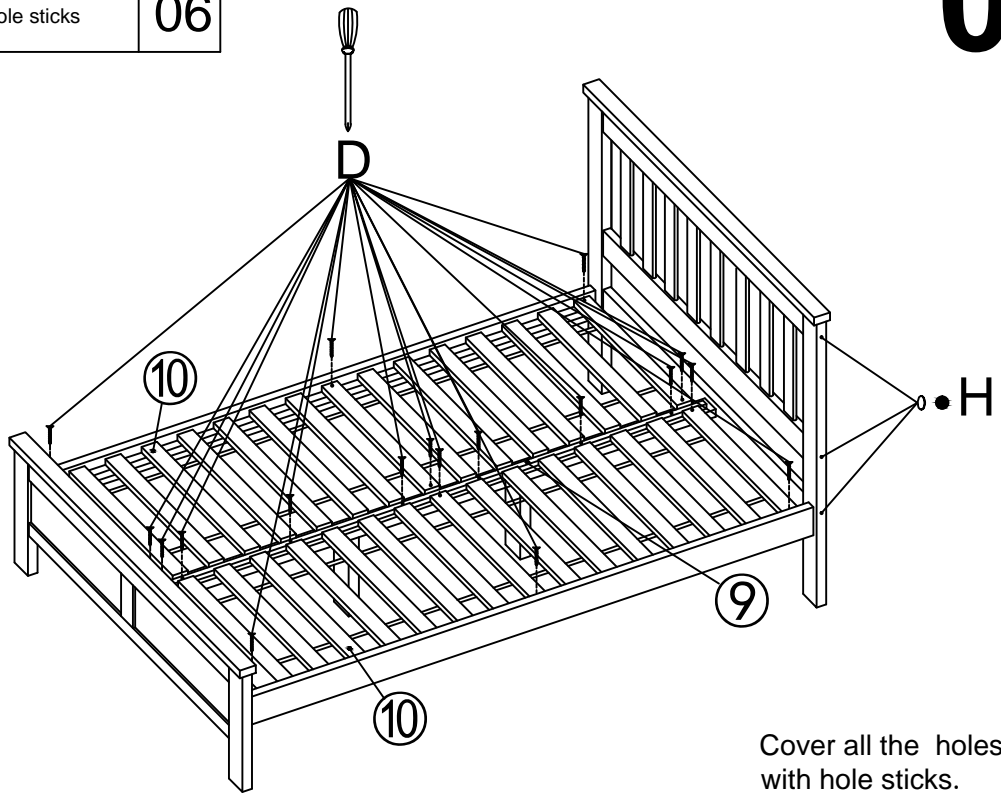
01

05



D	⊕  Ø3.5X25mm	18
H	○ ● Hole sticks	06

06



Cover all the holes with hole sticks.

5