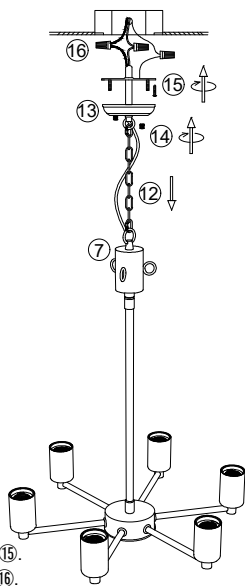
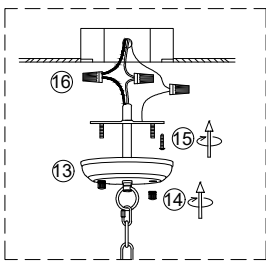
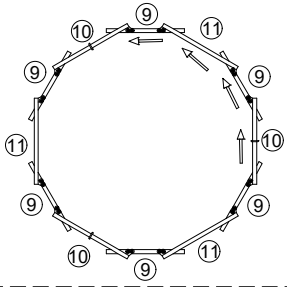


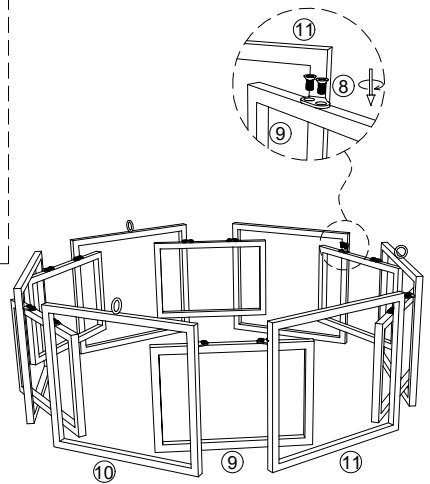
1. Let the wire of fixture ① go through the hanging tube ③ and junction box ⑦, rotate to install both to the fixture, fix the tube ③ to the fixture with grub screw ⑤ by hex key ⑥.



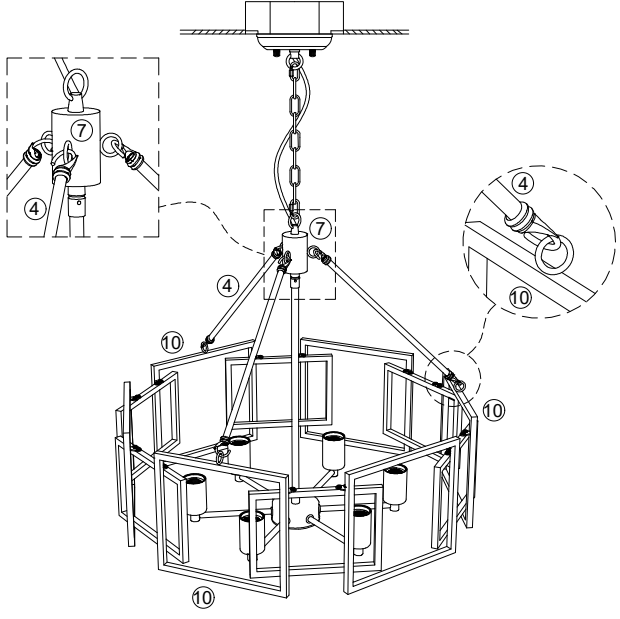
2. Hang the fixture to the canopy ⑬ with chain ⑫, let the wire go through the chain ⑫ and canopy ⑬.
 3. Install the bracket to the ceiling junction box with screw ⑮.
 4. Connect the wire to your home line with cap connector ⑭.
 5. Install the fixture to the bracket with cap nut ⑭.



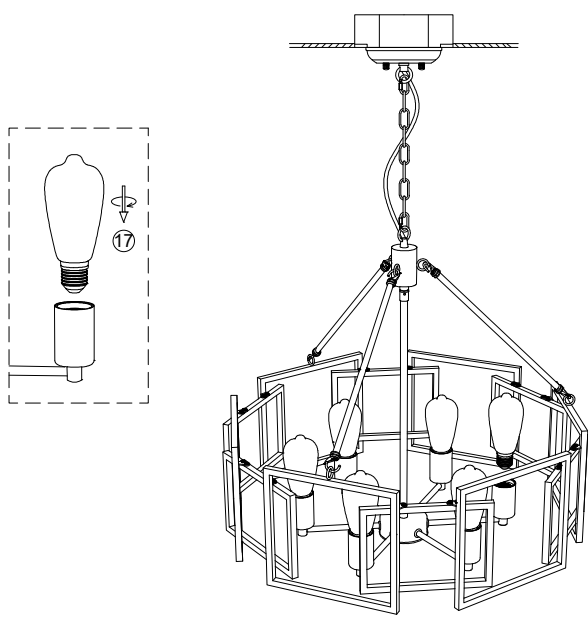
Attention: frame ⑨ should be between frame ⑩ and frame ⑪.



6. Combine the frame ⑨, ⑩, ⑪ to be a complete lampshade like picture shown with screw ⑧, please don't tighten the screw ⑧ until all screws ⑧ are ready in the hole of metal frames.



7. Hang the lampshade to the fixture with hooked tube ④.



8. Install the bulb ⑰.

Please read carefully before installation!!!
Note : Please make sure that the electricity is powered off during installation !
Only a professional electrician should install this kind of product !