

⚠ IMPORTANT SAFETY INSTRUCTIONS

- Carefully examine the cord, lamp holder, switch and all other parts for damage. If any part is damaged, the product should not be used.
- This light fixture is rated for 60W MAX bulb. To avoid the risk of fire, do not exceed the recommended wattage.
- We suggest using LED bulbs for low energy consumption and long-life span.
- All electrical connections must be in accordance with local and National Electrical Code (NEC) standards.
- Keep all hardware parts out of reach of children.
- Dispose plastic packaging material immediately to avoid any risk of suffocation to children and animals
- PLEASE READ INSTRUCTIONS IN THEIR ENTIRETY PRIOR TO ASSEMBLY AND INSTALLATION.

CARE AND USE

- Recommended for indoor use only.
- Wipe clean using a soft, dry cloth or static duster. Always avoid the use of harsh chemicals and abrasives to clean fixture as they may damage the finish.

ITEMS PROVIDED



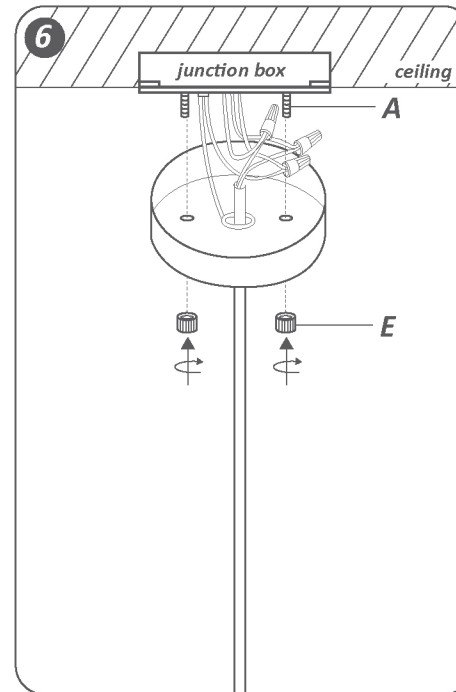
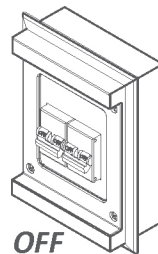
- Mounting Hardware
- Ceiling Canopy Kit
- Down Rods
- Light Fixture
- Lamp Shade

ITEMS YOU NEED

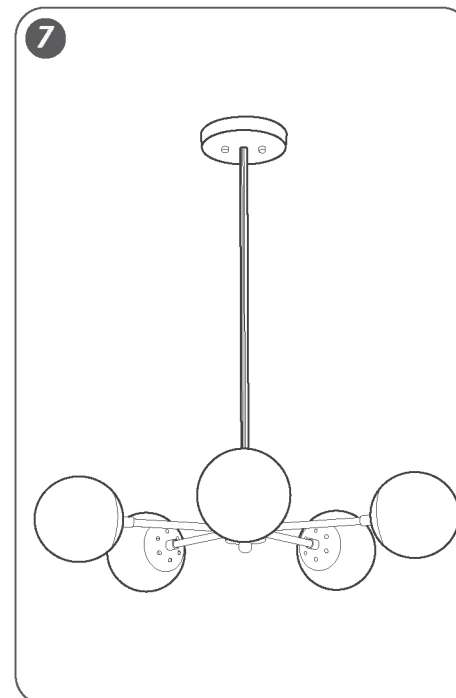
- Ladder
- Screwdriver
- Wire Cutter/Stripper
- Electrical Tape
- Five G16.5 60W MAX medium-base (E26) light bulbs

GETTING STARTED

1. Carefully unpack fixture and parts.
2. Place all components on a clean, flat and soft surface (e.g. carpet or rug) to prevent parts from getting scratched.
3. Make sure all parts are included before discarding any packing materials.
4. Shut off main electrical supply at fuse box or circuit breaker. Simply turning the power off using the light switch is not sufficient to prevent electrical shock!

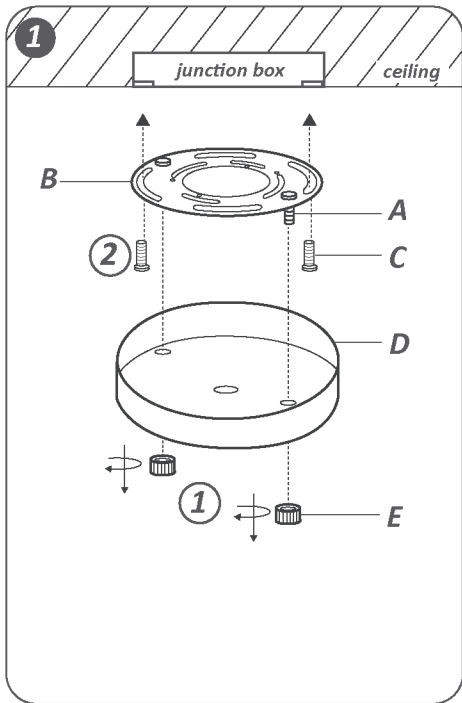


Position canopy over Mounting Plate, allowing Canopy Screws (A) to protrude through openings of canopy. Secure into place with Decorative Fasteners (E).

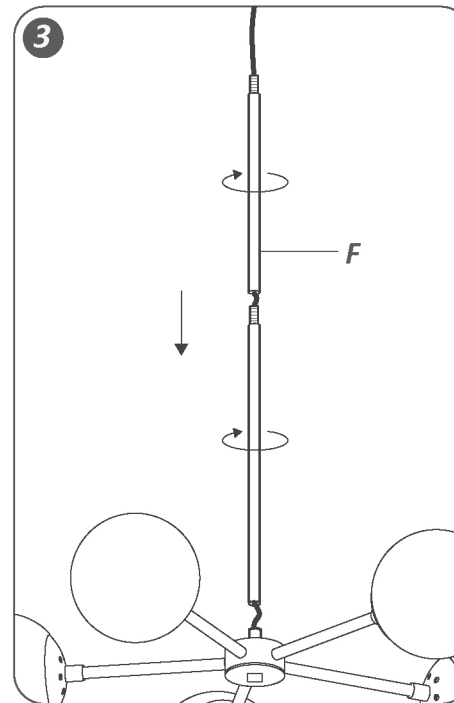


Enjoy your new lamp!

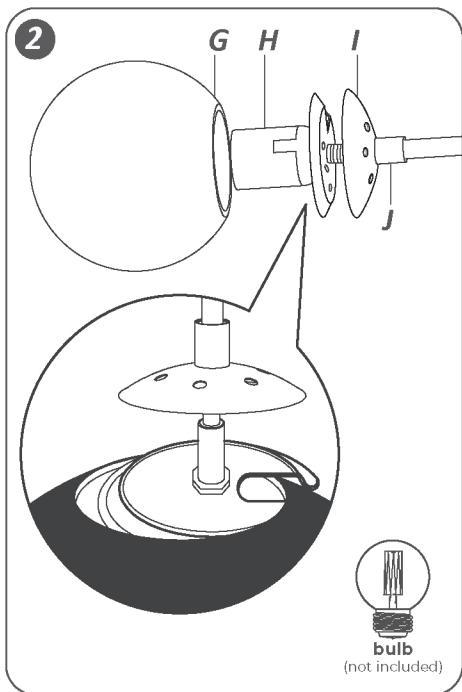
CAUTION: Please ensure that the fitting is cool and switched off before replacing the bulb.



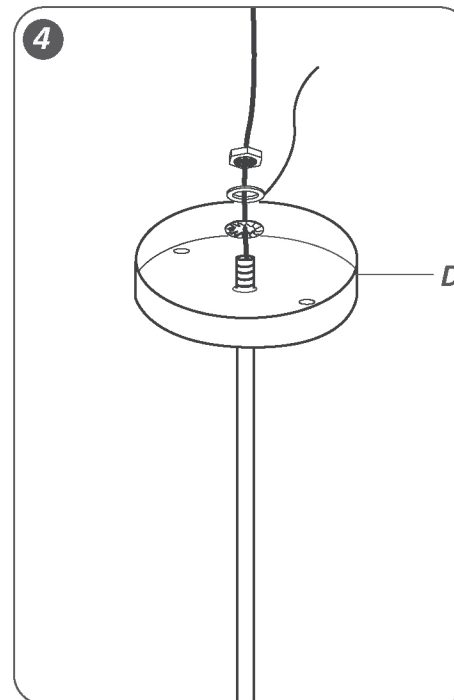
1. Remove Mounting Plate (B) from Ceiling Canopy (D) by unscrewing Decorative Fasteners (E).
 2. Secure Mounting Plate (B) to ceiling junction box using Mounting Screws (C).



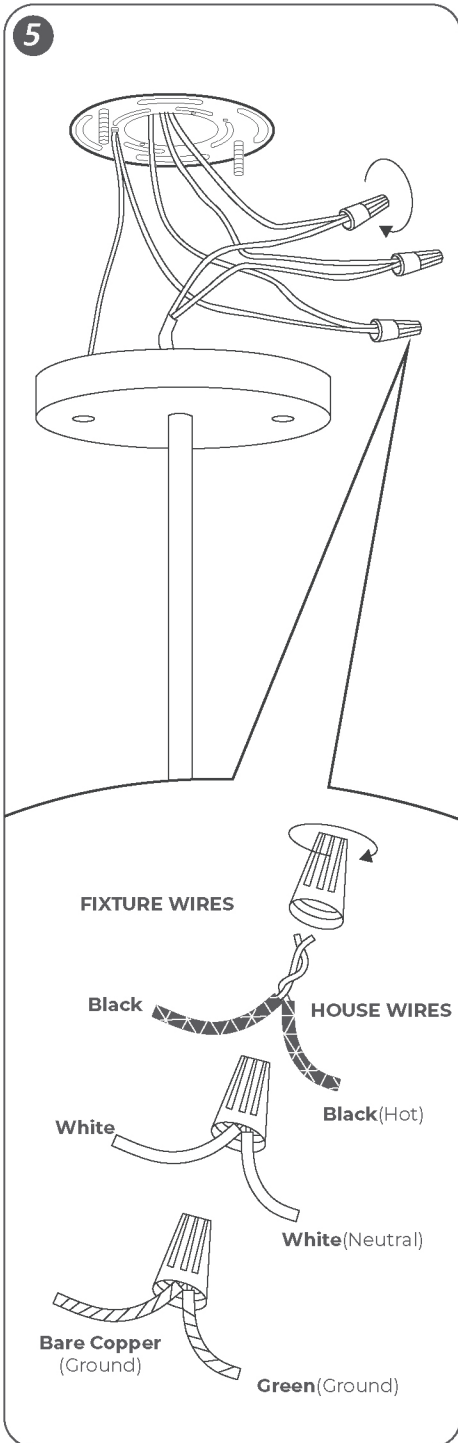
Thread pendant cord/wire through Down Rods (F), then screw Down Rods (F) to Light Fixture.



Insert desired bulb (not included). 60W MAX medium-base (E26) light bulb. Do not exceed recommended wattage. Unscrew Lock Fastener (J) from Shade Canopy (I), hook Lamp Shade (G) at an angle over Lamp Holder (H), pivot Lamp Holder (H) until fully inserted. Lower Shade Canopy (I) over Lamp Shade (G). Thread Shade Fastener (J) clockwise to secure shade in place.



Thread wires and Down Rod through Ceiling Canopy (D) and secure using lock washer and nut.
 Note: Copper ground wire should be placed between nut and lock washer.



Connect Black fixture wire to Black supply wire and White fixture wire to White supply wire using wire caps (provided). Wrap connection with electrical tape.

Wrap ground wire from canopy under and around green grounding screw (marked GND) on the mounting bracket leaving excess wire. Thread the ground screw but do not tighten at this time.

Connect excess canopy ground wire and junction box ground wire using the wire cap (provided). Wrap with electrical tape for a more secure connection. Fasten ground screw to make sure ground wire is securely connected. Do not over tighten. Tuck all wires carefully into the J-Box.

WARNING: Never connect ground-ing wire to black or white power supply wires.

