

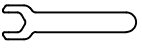
(A)  - 2

(B)  - 2

(C)  - 4

(D)  - 1

(E)  - 2

(F)  - 1

(G)  - 2

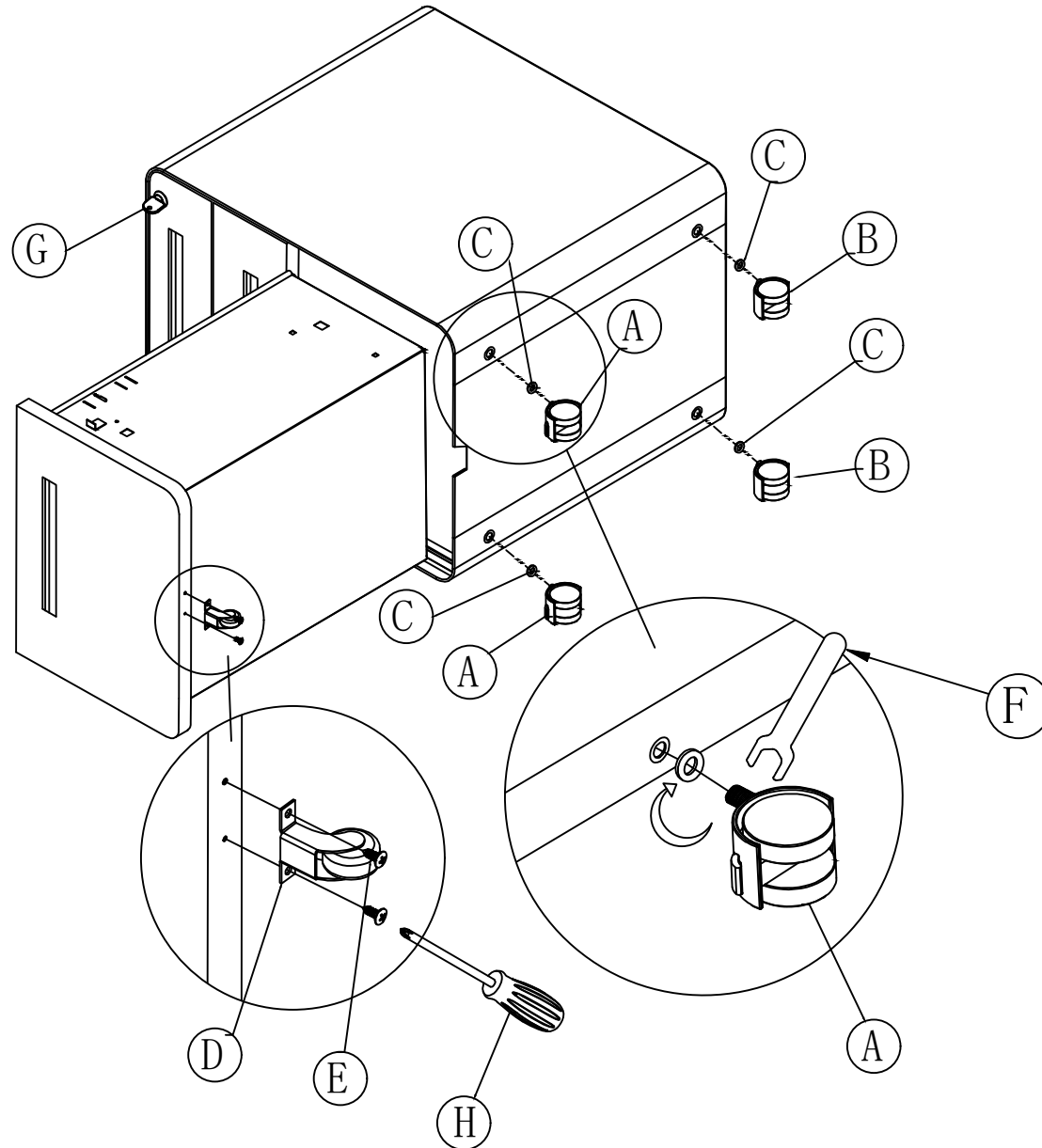
Tool (Not included)

(H) 

Mobile File Cabinet Assembly Instructions

Tip: The two keys are in the tape on the handle.

All the casters and other hardware are in the middle drawer.



Instructions of folder hanging bars

