

**PRODUCT SPECIFICATIONS**

Elkay 3-1/2 Drain Fitting Rotary Lever Operated with 2" OD Tailpiece. Overall dimensions are 4-1/8" x 4-1/8" x 8-5/16".

<b>Finish:</b>	Polished Stainless Steel
<b>Dimensions:</b>	4-1/8" x 4-1/8" x 8-5/16"
<b>Shipping Weight:</b>	4 lbs.

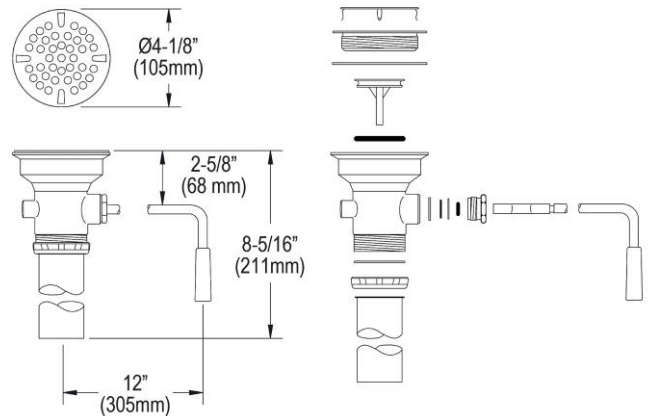
- 1-1/2" O.D. x 4" tailpiece.
- 4-1/2" O.D. top stainless steel flange with brass body.
- Basket strainer catches food and waste from going down the drain.
- Chrome-plated brass tailpiece.



**AMERICAN PRIDE. A LIFETIME TRADITION.**  
Like your family, the Elkay family has values and traditions that endure. For almost a century, Elkay has been a family-owned and operated company, providing thousands of jobs that support our families and communities.

**Product Compliance:** ASME A112.18.2/CSA B125.2

[Clean and Care Manual \(PDF\)](#)  
[Warranty \(PDF\)](#)



PART: \_\_\_\_\_ QTY: \_\_\_\_\_

PROJECT: \_\_\_\_\_

CONTACT: \_\_\_\_\_

DATE: \_\_\_\_\_

NOTES: \_\_\_\_\_

APPROVAL: \_\_\_\_\_

*In keeping with our policy of continuing product improvement, Elkay reserves the right to change product specifications without notice. Please visit [elkay.com](http://elkay.com) for the most current version of Elkay product specification sheets. This specification describes an Elkay product with design, quality, and functional benefits to the user. When making a comparison of other producers' offerings, be certain these features are not overlooked.*