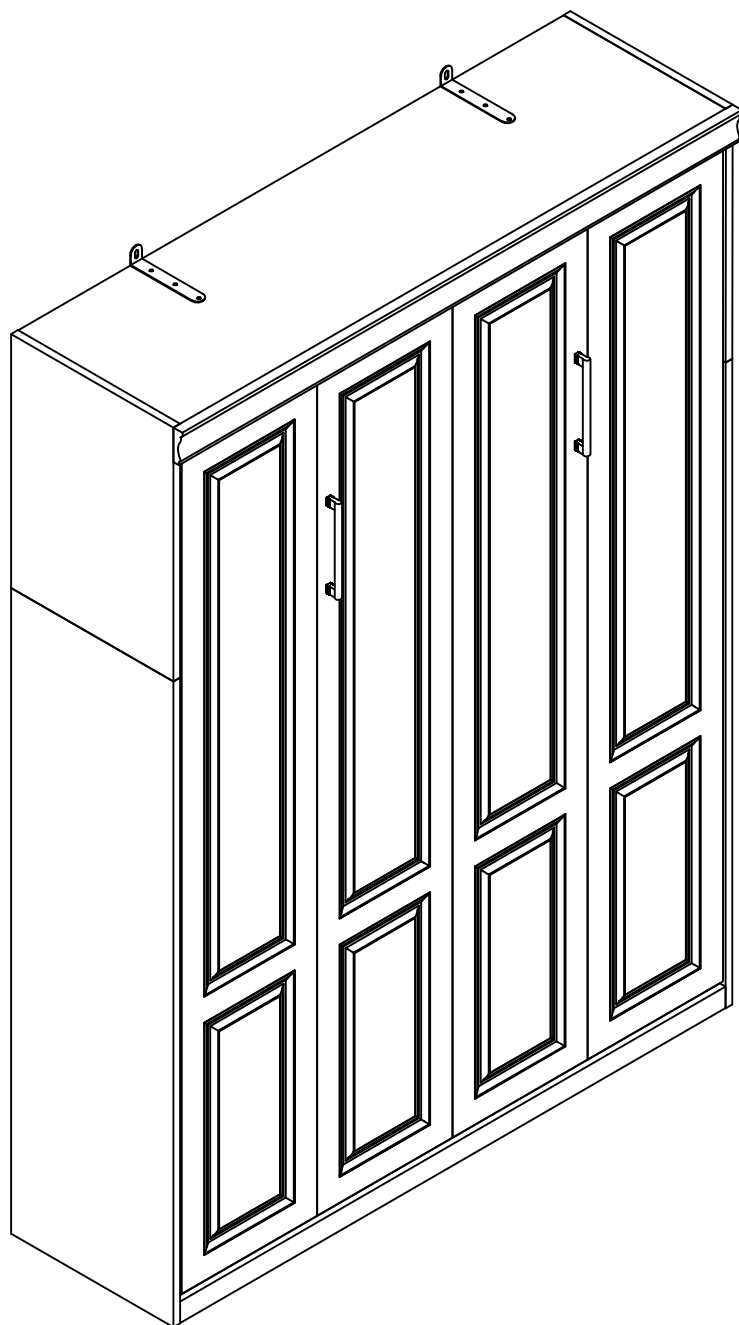


Murphy Bed



SKU:BGC-2-SXD

MFSKU:BGC-2

PO250701002

20251120

气压杆直立式安装

RETURNS

CHANGED YOUR MIND AND NEED TO RETURN YOUR ITEM?

PLEASE FOLLOW THE BELOW INSTRUCTIONS:

•If you have purchased and have simply changed your mind, follow the retailer's instructions for returns.

DEFECTIVE ITEMS

•If your item is defective in any way, i.e. it doesn't work but you can't identify why, in the first instance, please consult our FAQ section at Service@househub.cn as there may be a simple solution to the issue.

DAMAGED ITEMS

•If you receive an order with obvious shipping damage from the retailer, then we suggest the delivery is refused. If the delivery has been accepted and then shipping damage is found, please follow the specific instructions advised by the retailer.

•In all circumstances, please save all packaging material and paperwork for the order.

•Please be aware that if you dispose of packaging material or attempt to return the merchandise without contacting the retailer, you jeopardize your chances of making a claim, and you may not receive a credit for the return.

EMAIL: Service@househub.cn



(Installation Video)

WARRANTY

WARRANTY CLAIMS

- There is a 30-day warranty for broken furniture or any other problems that do not work properly. The warranty will start from the date of purchase which must be verified by proof of purchase.
- The product must be used in accordance with the instructions provided. For health reasons.
- For other reasons, if the furniture needs to be returned, it must be cleaned and dried and operated within 30 days of receipt.

Type of Warranty Claim

- Failure to follow the furniture instructions will invalidate the warranty. Attention please.
- Does not include damage during installation, but includes damage during transportation.

Scope of responsibility

- Shall not bear any responsibility for misuse or user damage and / or loss of parts during the installation of furniture.
- After using, the damage and scratches of the furniture are not covered by the warranty.

The Warranty Relates to All Bought in The Us and Covers The Following Areas

- Sheet parts: 1 month from the date of purchase.
- Electrical parts: 1 month from the date of purchase.

IMPORTANT INFORMATION!

•please read the entire manual before starting to assemble and/or using this product. follow the manual thoroughly and keep it for further reference.

AVOID SCRATCHES!

•In order to avoid scratching this furniture should be assembled on a soft layer-could be a rug.

IMPROVE EFFICIENCY !

•Try to find a partner to install with you, which can speed up the installation efficiency and shorten the time.

IMPORTANT !

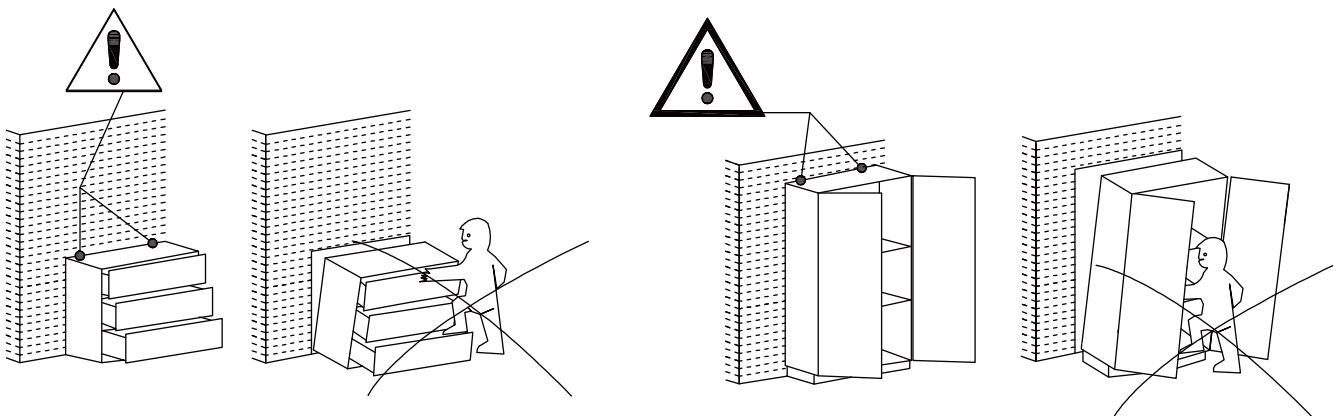
•It is important that any product which is assembled using any kind of screw is re-tightened 2 weeks after assembly, and once every 3 months - in order to assure stability through-out the lifespan of the product.

•For regular maintenance and cleaning of the product, for the frame, please use a rag dipped in neutral detergent to fully wipe it, and then dry it with a clean rag. For glass materials, wipe with a rag dampened with water glass cleaner, and then dry with a dry rag.

•Do not use an electric screwdriver, and do not use too much force when installing, because the board is easy to break.

ANTI-TOPPLE WARNING !

Overtured furniture can cause serious or fatal crush injuries. To prevent tipping over, be sure to use the wall attachment, if not included with this product. Please purchase the wall attachment that fit your wall. If unsure, seek professional advice. Please read and follow each step of the instructions carefully.



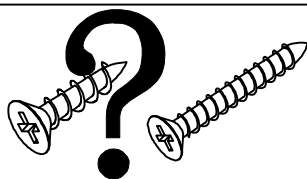
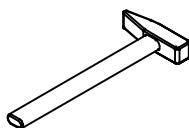
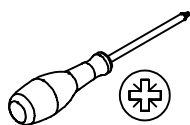
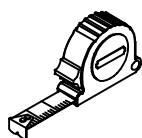
Installation Precautions

- 1. Familiarize Yourself with the Installation Manual**
Before starting the installation, make sure to carefully read the product manual to understand the installation requirements and details.
- 2. Follow the Installation Process**
Install strictly according to the steps outlined in the manual to ensure accuracy and compliance with the instructions.
- 3. Check and Verify Components**
Before starting the installation, carefully check and verify all panels and accessories to ensure they are complete and undamaged. If there are any issues, please contact us immediately.
- 4. Verify Wall Conditions**
The wall must be made of solid brick, concrete, or other hard structural materials. If the wall does not meet these requirements, do not use this product.
- 5. Professional Installation Recommended**
It is recommended to hire a qualified professional installer to ensure quality and safety.
- 6. DIY Installation Requirements**
If you choose to install it yourself, it is advised to have 2-3 adults working together to ensure control and stability during installation.
- 7. Hydraulic Pump Installation**
During the hydraulic pump installation, do not cut or strike the components. After installation, make sure to tighten both end nuts to prevent them from loosening.
- 8. Hydraulic Pump Operation Tips**
If the hydraulic pump makes noise during operation, apply lubricating oil or pencil lead powder to the piston rod to improve lubrication.
- 9. Bed Adjustment and Securing**
After installing the hydraulic pump, adjust the bed body to ensure the seam alignment is accurate. Then, move the cabinet to the wall and secure it.
- 10. Installation Testing**
After securing the bed body, apply pressure to the bed and test it multiple times to ensure all connections are firm and correct.
- 11. Do Not Use Before Securing**
Do not use the bed before it is securely installed to avoid safety hazards.
- 12. Pre-Use Preparation**
Before using the foldable bed, ensure that the support legs are fully extended to bear the load properly.
- 13. Safety Precautions**
Follow all safety instructions during the installation and use of the product to ensure safe operation.
- 14. Do Not Modify Accessories**
Do not alter or replace any parts of the product to avoid affecting its performance and safety.
- 15. Feedback Channels**
If you encounter any issues, please contact us immediately via email at : Service@househub.cn

Usage Precautions

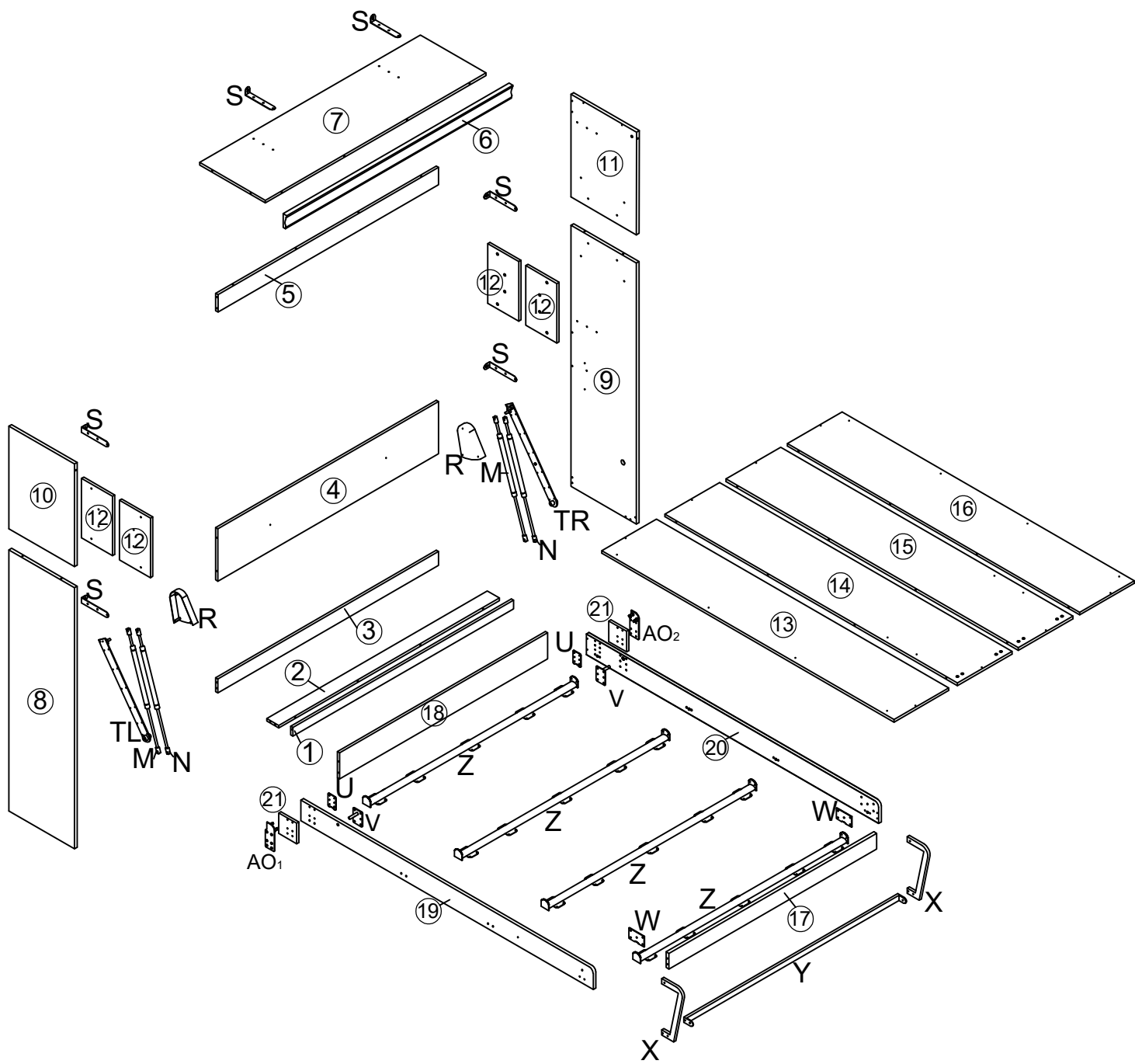
- 1. Pre-Use Condition**
The product must be installed and secured to a hard wall before use.
- 2. Safety Strap for Mattress**
The mattress must be securely strapped to the bed frame. Only use the product after assembly and securing.
- 3. Remove Hard Objects**
Before opening or closing the bed, check and remove any hard objects from the mattress to prevent them from falling and damaging the cabinet or items.
- 4. Children's Usage Restrictions**
Children should never use this product alone for safety reasons.
- 5. Suitable User Range**
The product is suitable for healthy adults aged 18 to 55. Other age groups should only use it under supervision by a suitable person.
- 6. Weight Capacity**
The bed can support a weight range of 407LB to 440LB (185KG to 200KG).

Please prepare the following tools



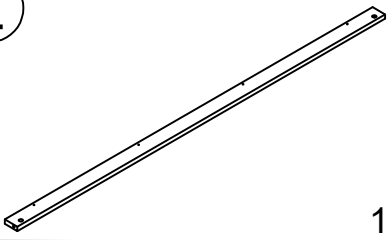
When installing, please carefully confirm whether each screw corresponds to the manual, accessories with similar shapes can be distinguished by size

<p>A x 60</p> <p>Ø6 x 28mm</p>	<p>B x 60</p> <p>Ø15 x 10mm</p>	<p>C x 16</p> <p>Ø8 x 30mm</p>	<p>D x 82</p> <p>Ø3.5 x 14mm</p>	<p>E x 26</p> <p>Ø3.5x 20mm</p>	<p>F x 16</p> <p>Ø6x 20mm</p>
<p>G x 20</p> <p>Ø6 x 12mm</p>	<p>H x12</p> <p>Ø6 x 16mm</p>	<p>J x 2</p> <p>Ø6 x 30mm</p>	<p>L x 4</p> <p>M8 x 2mm</p>	<p>M x 2</p> <p>350-500N</p>	<p>N x 2</p> <p>300-450N</p>
<p>O x 1</p> <p>O₂ O₁</p> <p>2M</p>	<p>P x 6</p> <p>P₁ P₂ P₃ P₄</p> <p>M8 x 80mm</p>	<p>Q x 8</p> <p>M8</p>	<p>R x 2</p>	<p>S x 6</p> <p>180x40x30mm</p>	<p>T x 2</p> <p>499x50x42mm TL TR</p>
<p>U x 2</p> <p>75x52x3.5mm</p>	<p>V x 2</p> <p>84x60x3.5mm</p>	<p>W x 2</p> <p>100x60x3.5mm</p>	<p>X x 2</p> <p>300x138x15mm</p>	<p>Y x 1</p> <p>1420x50x30mm</p>	<p>Z x 4</p> <p>1380x80x50mm</p>
<p>AA x 2</p> <p>192mm</p>	<p>AB x 4</p> <p>Ø4 x 20mm</p>	<p>AC x 2</p> <p>AC₂ AC₁</p> <p>Ø6 x 60mm</p>	<p>AD x 66</p> <p>Ø6 x 12mm</p>	<p>AE x 6</p> <p>Ø3.5x 30mm</p>	<p>AF x 2</p> <p>M4</p>
<p>AG x 1</p> <p>M8</p>	<p>AH x 4</p> <p>60x44x28mm</p>	<p>AJ x 8</p> <p>M10x20x2mm</p>	<p>AK x 2</p> <p>Ø6 x 43mm</p>	<p>AM x 12</p> <p>Ø6 x 30mm</p>	<p>AN x 12</p> <p>Ø6 x 20mm</p>
<p>A0 x 2</p> <p>AO₁ AO₂</p> <p>145x59x31mm</p>					



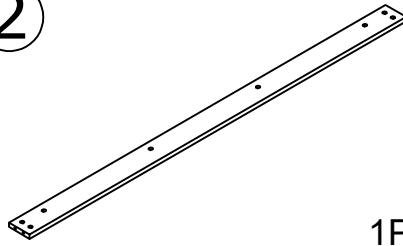
Parts list

①



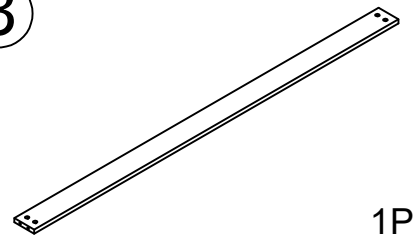
1PC

②



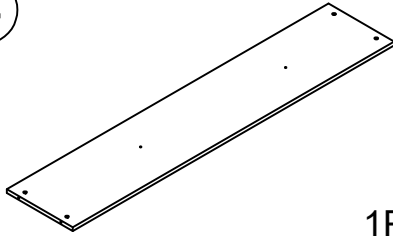
1PC

③



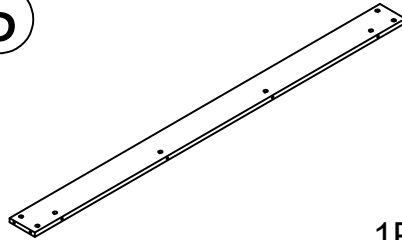
1PC

④



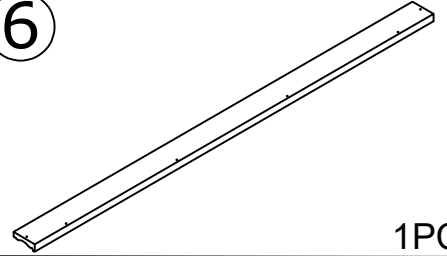
1PC

⑤



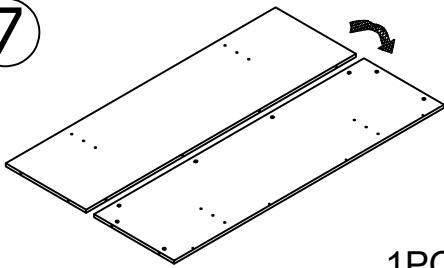
1PC

⑥



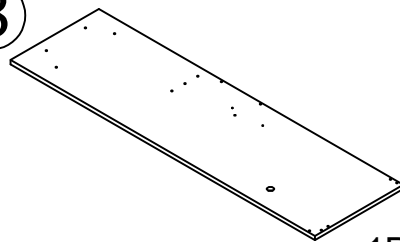
1PC

⑦



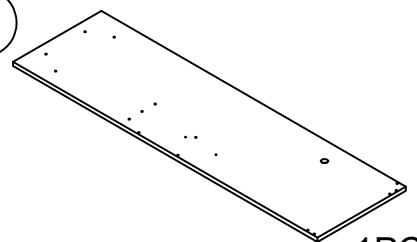
1PC

⑧



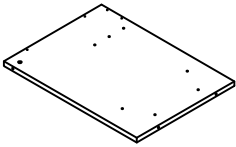
1PC

⑨



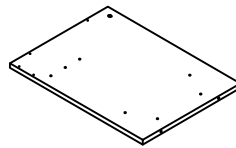
1PC

⑩



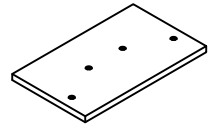
1PC

⑪



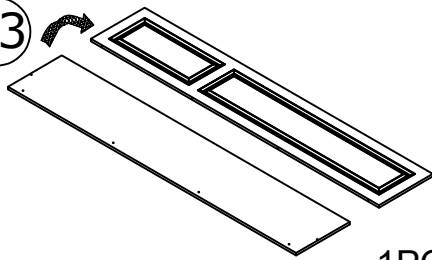
1PC

⑫



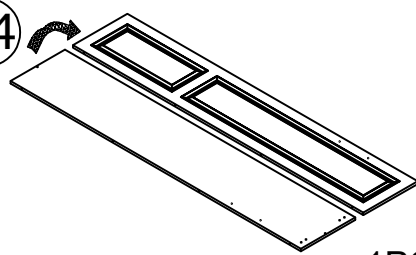
4PCS

⑬



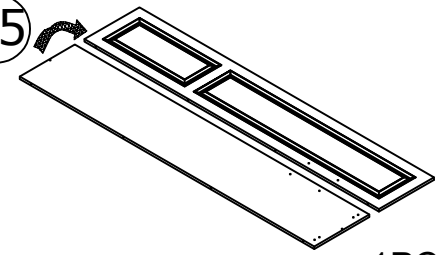
1PC

⑭



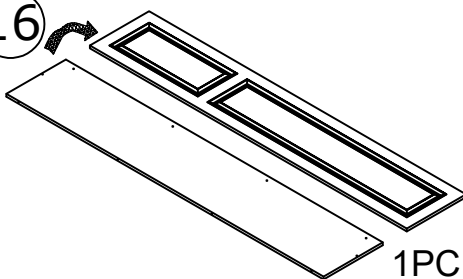
1PC

⑮



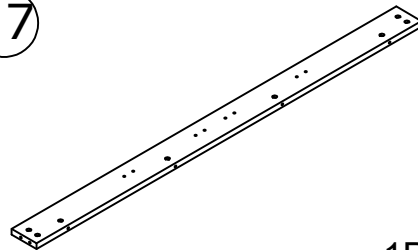
1PC

⑯



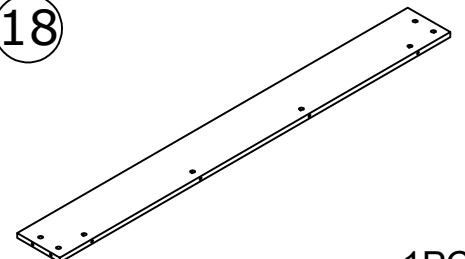
1PC

⑰



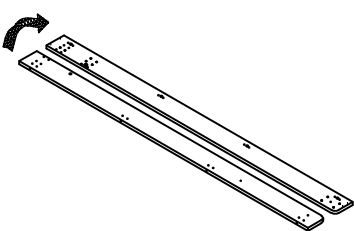
1PC

⑱



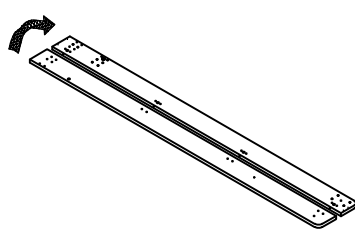
1PC

⑲



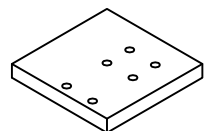
1PC

⑳



1PC

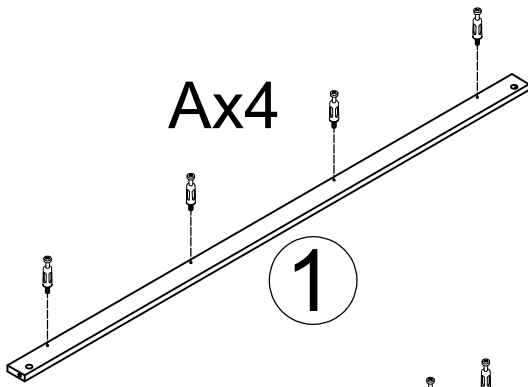
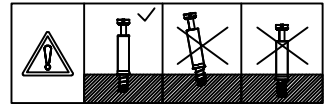
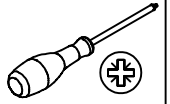
㉑



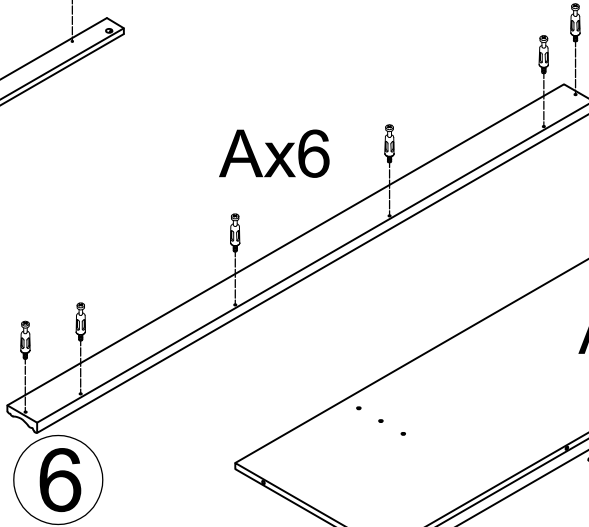
2PCS

1

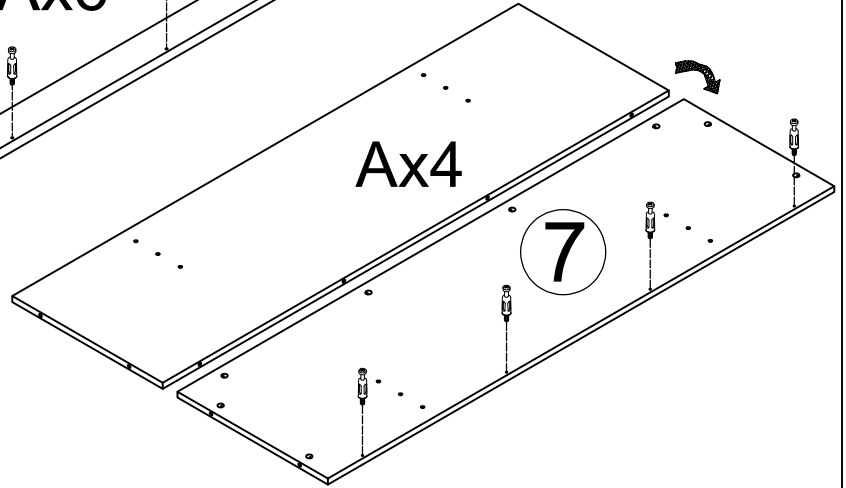
A x 60
Ø6 x 28mm



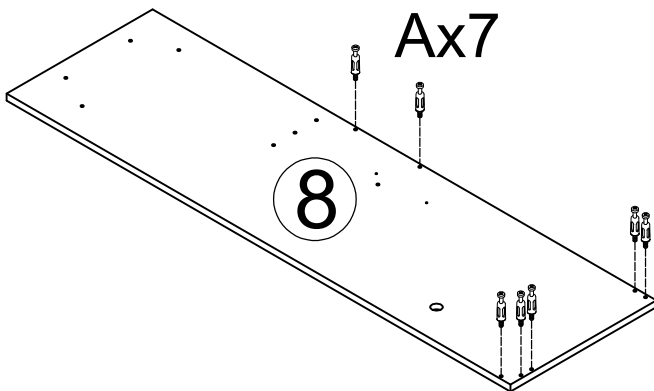
1



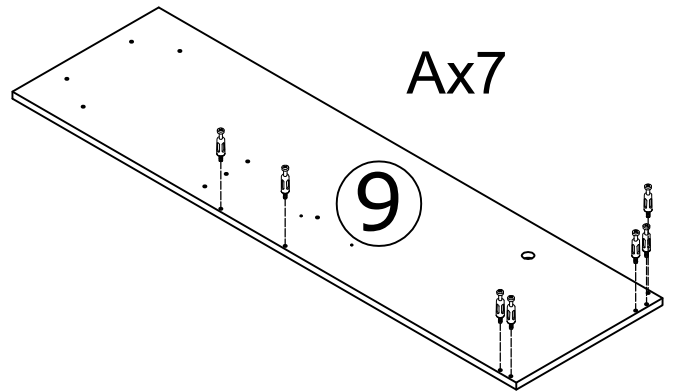
6



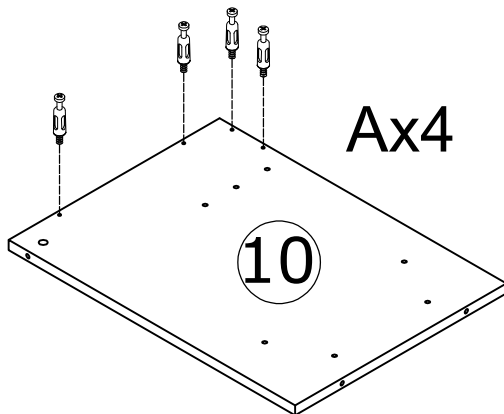
7



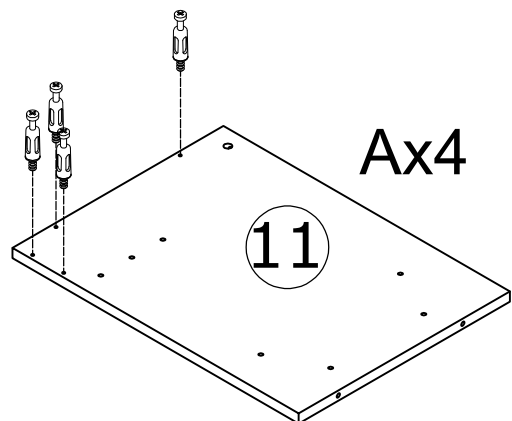
8



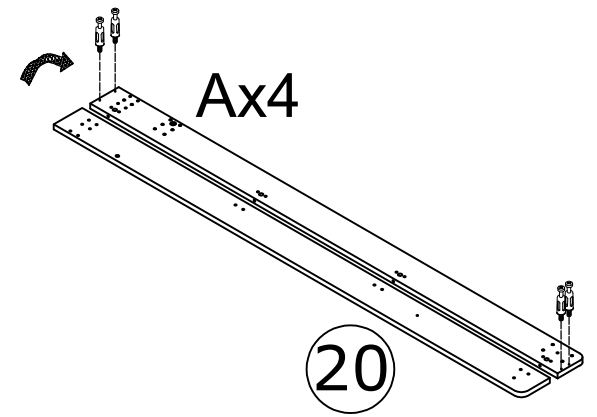
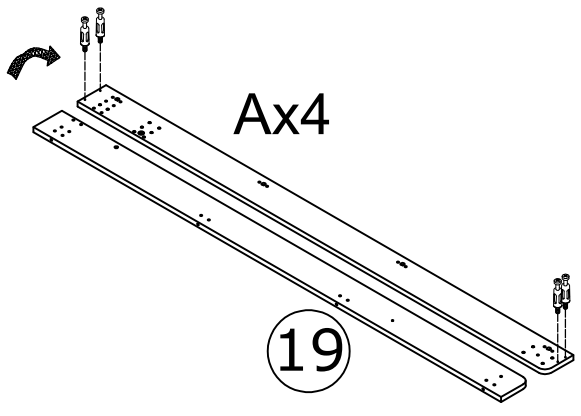
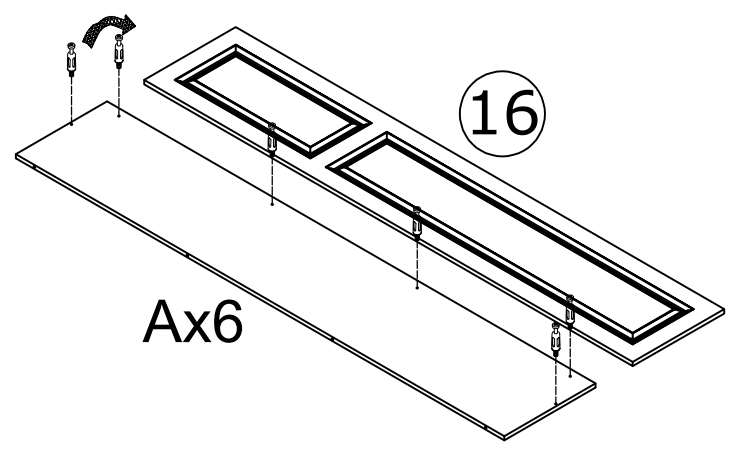
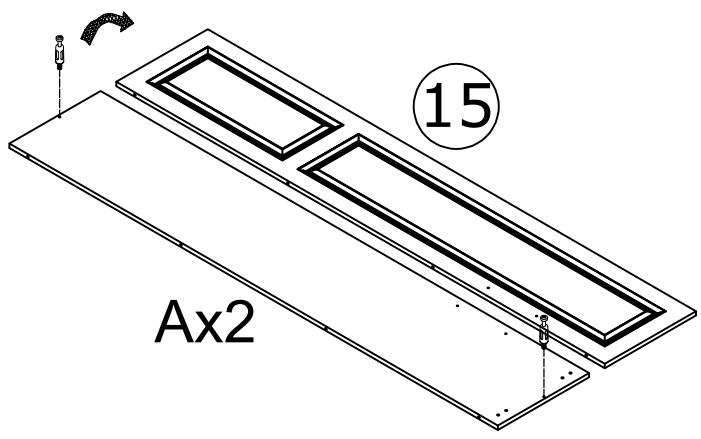
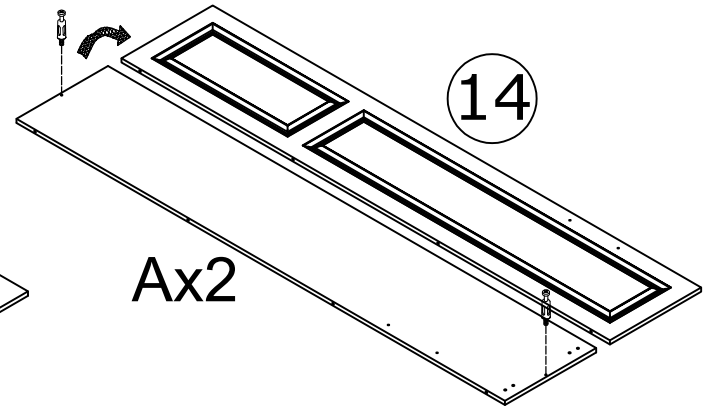
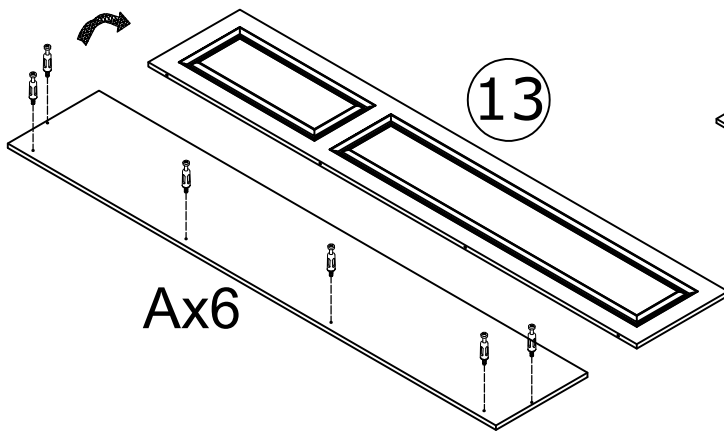
9



10



11

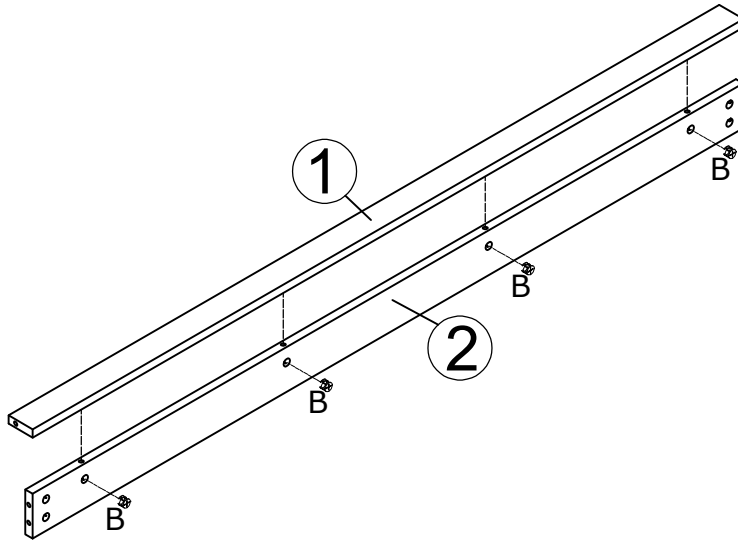
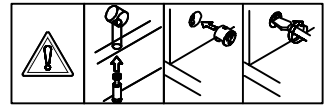
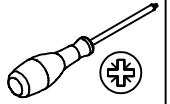


2

B x 4



Ø15 x 10mm



3

S x 4

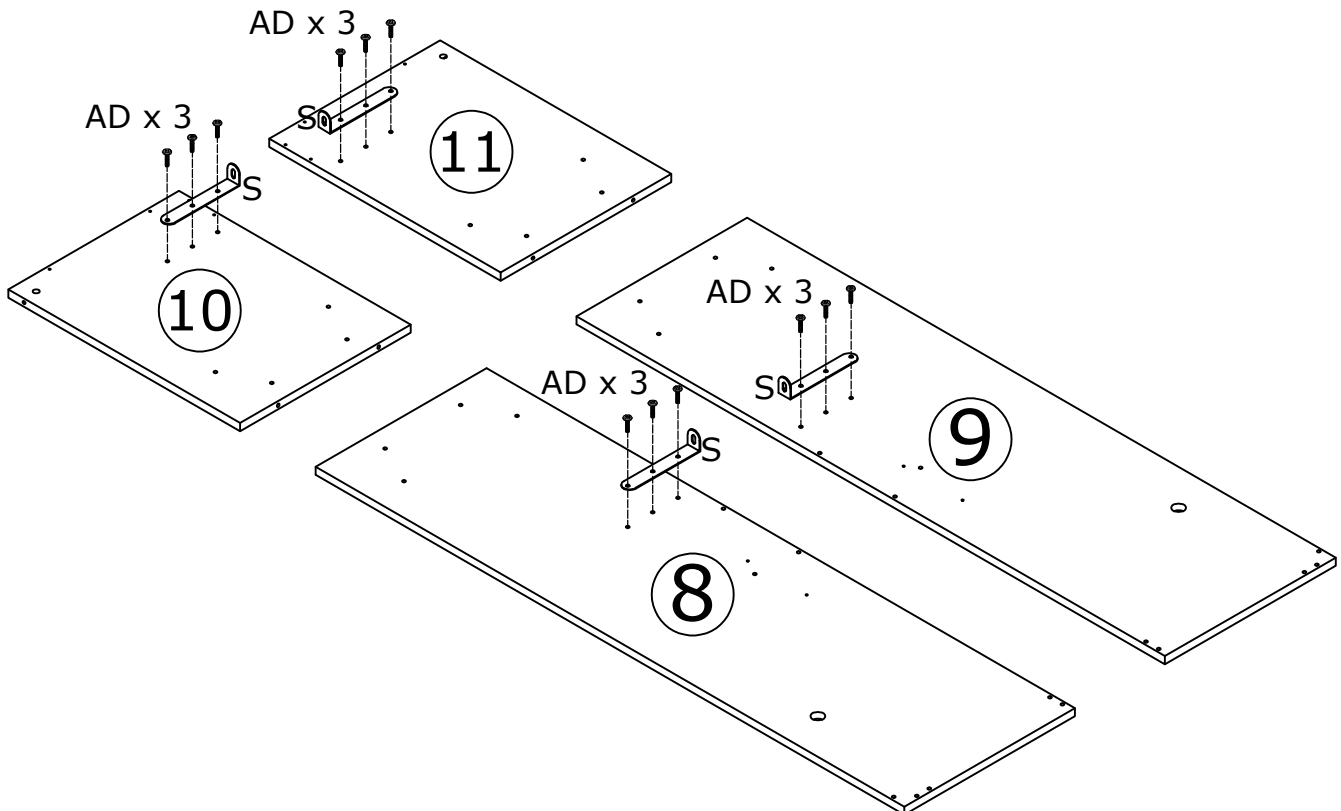
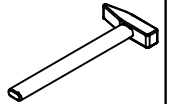
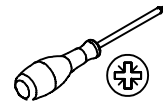


180x40x30mm

AD x 12



Ø6 x 12mm

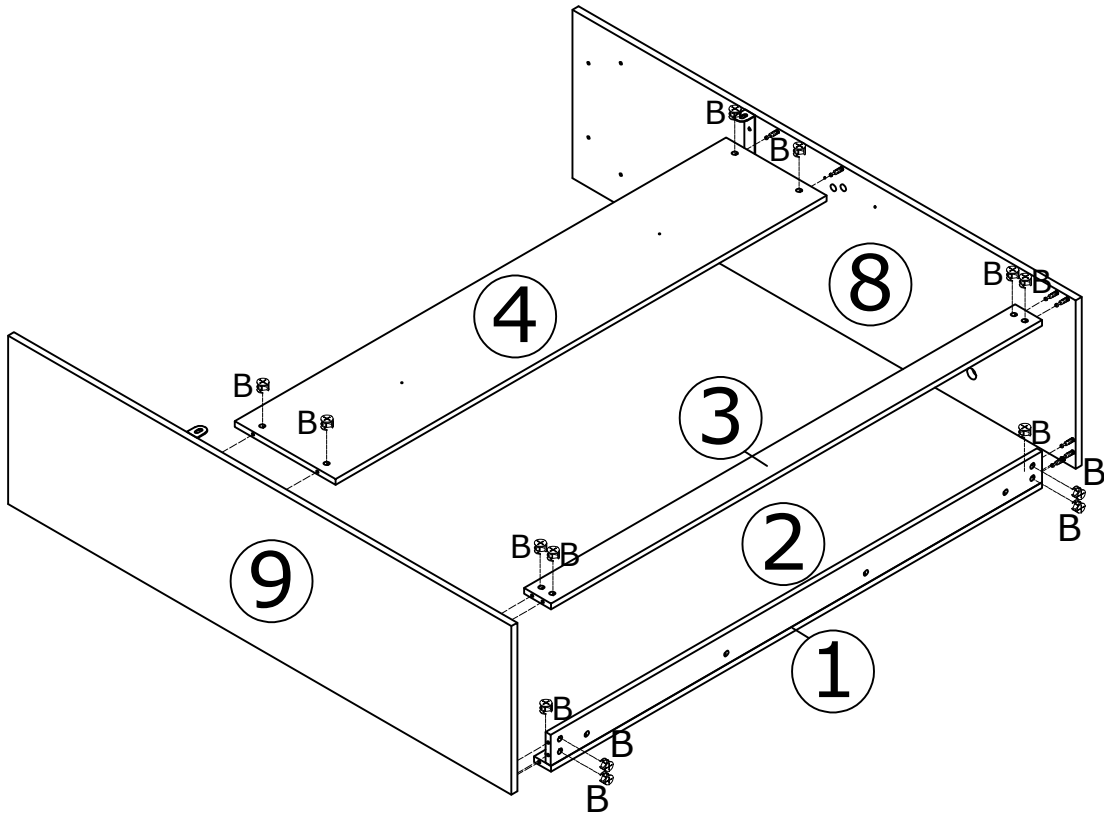
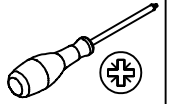


4

B x 14



Ø15 x 10mm



5

G x 6



Ø6 x 12mm

S x 2

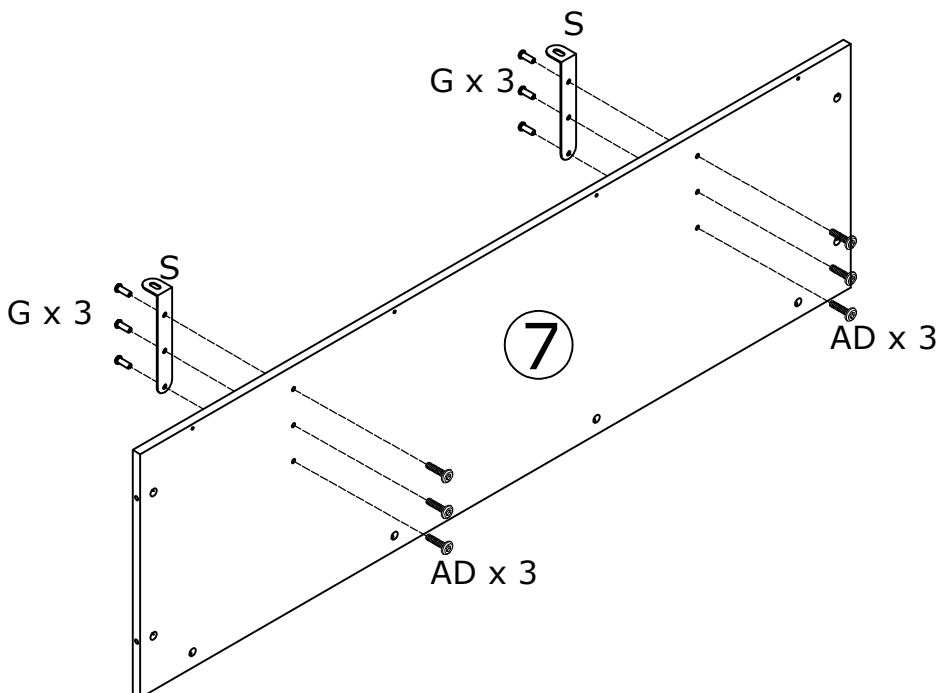
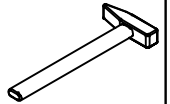
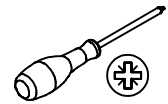


180x40x30mm

AD x 6



Ø6 x 12mm

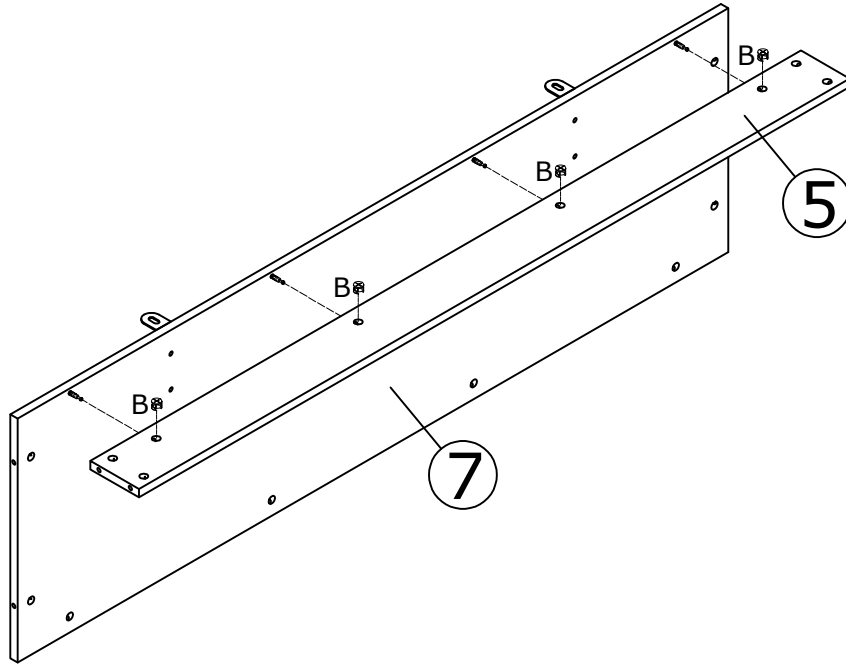
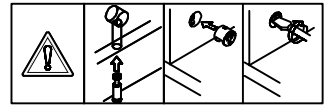
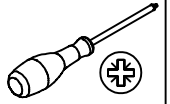


6

B x 4



Ø15 x 10mm

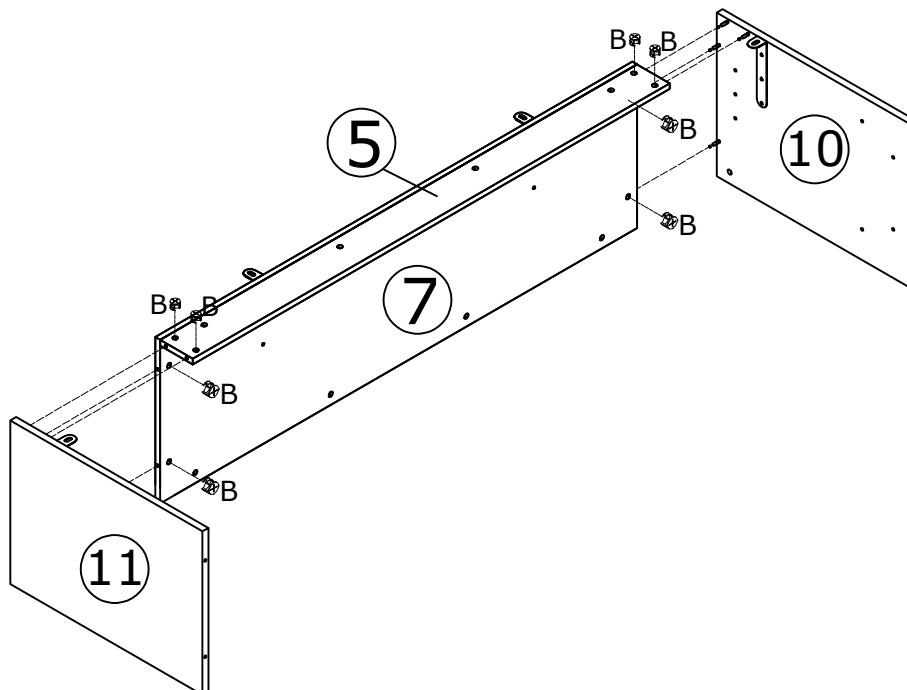
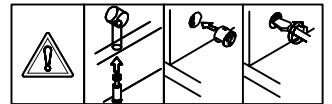
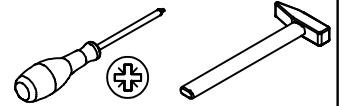


7

B x 8



Ø15 x 10mm

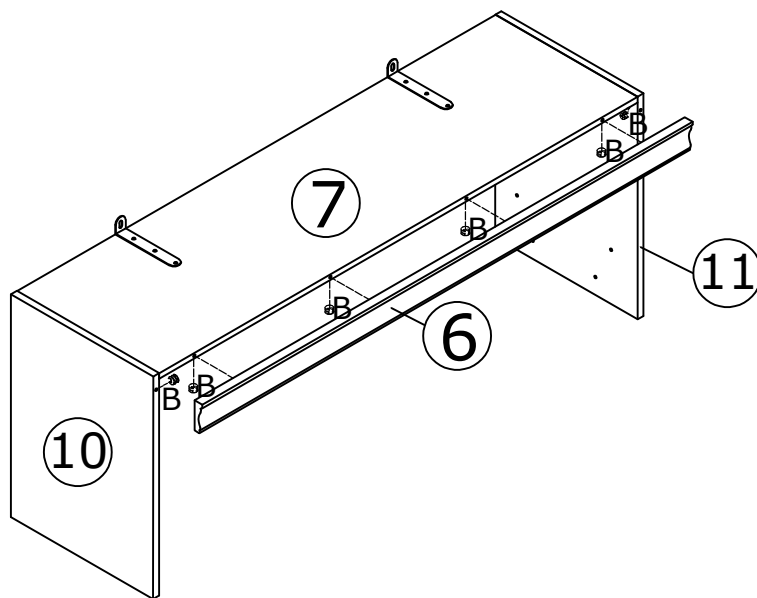
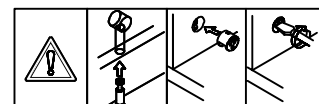
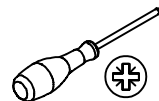


8

B x 6



Ø15 x 10mm

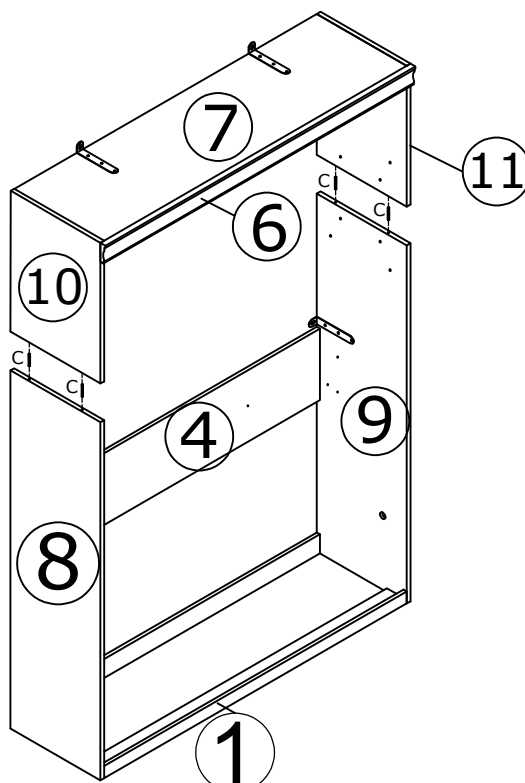
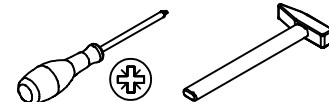


9

C x 4



Ø8*30mm



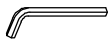
10

F x 16

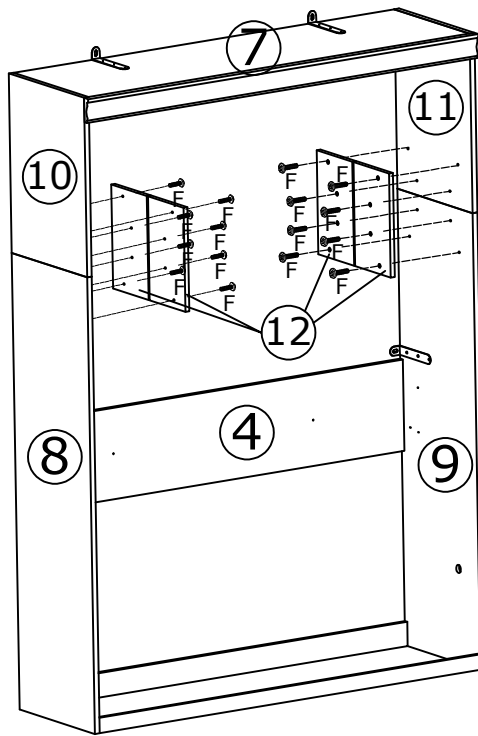
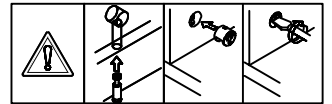
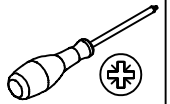


Ø6 x 20mm

AF x 1



M4

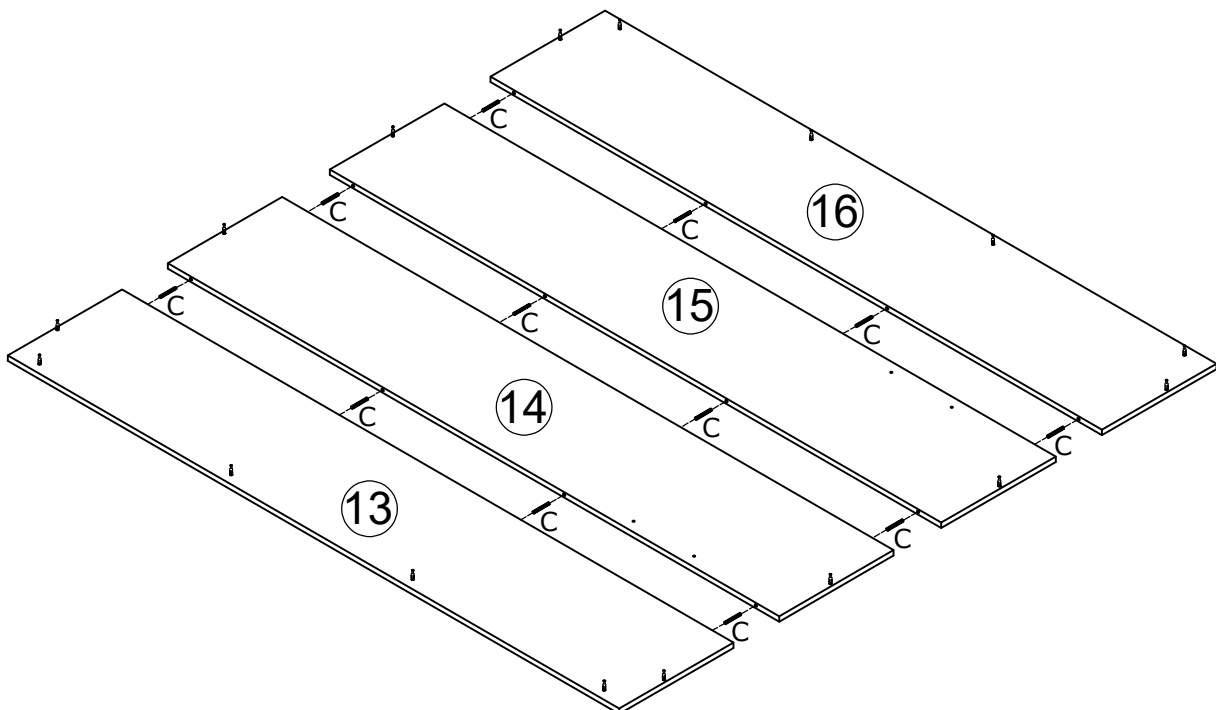
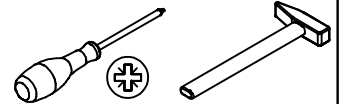


11

C x 12



Ø8*30mm

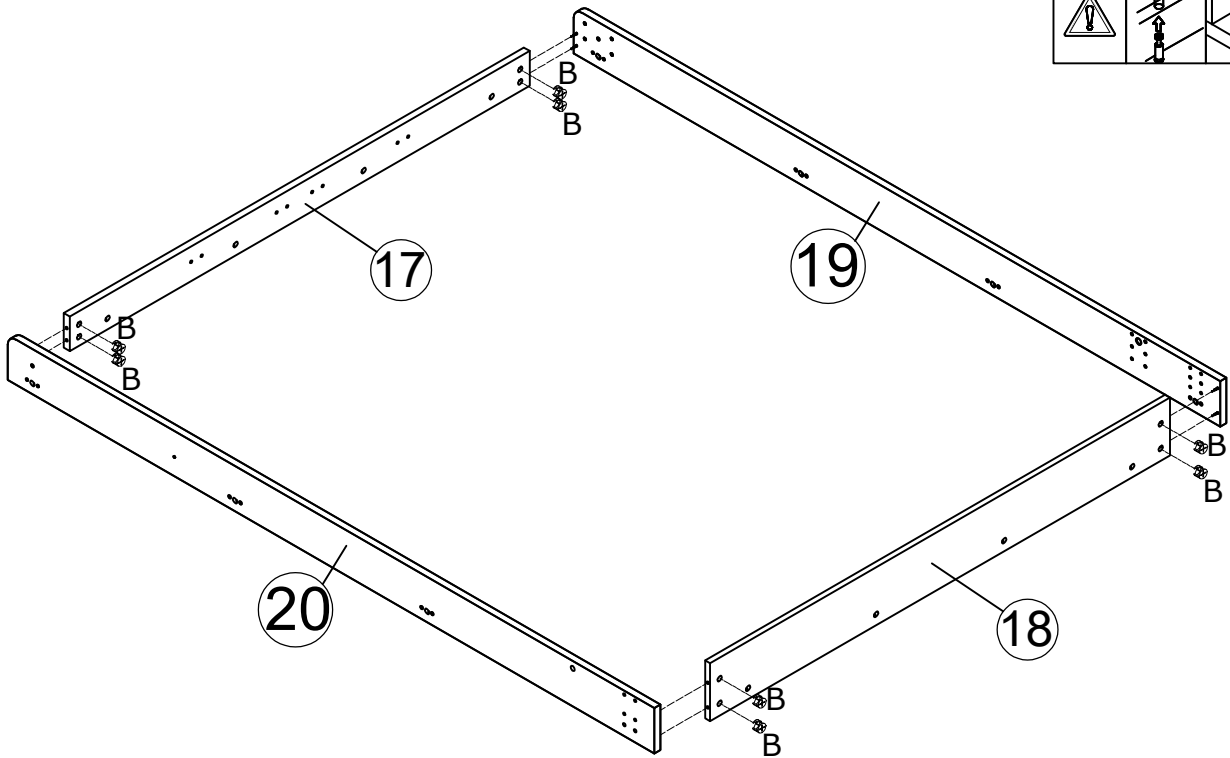
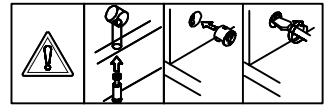
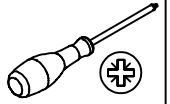


12

B x 8



Ø15 x 10mm

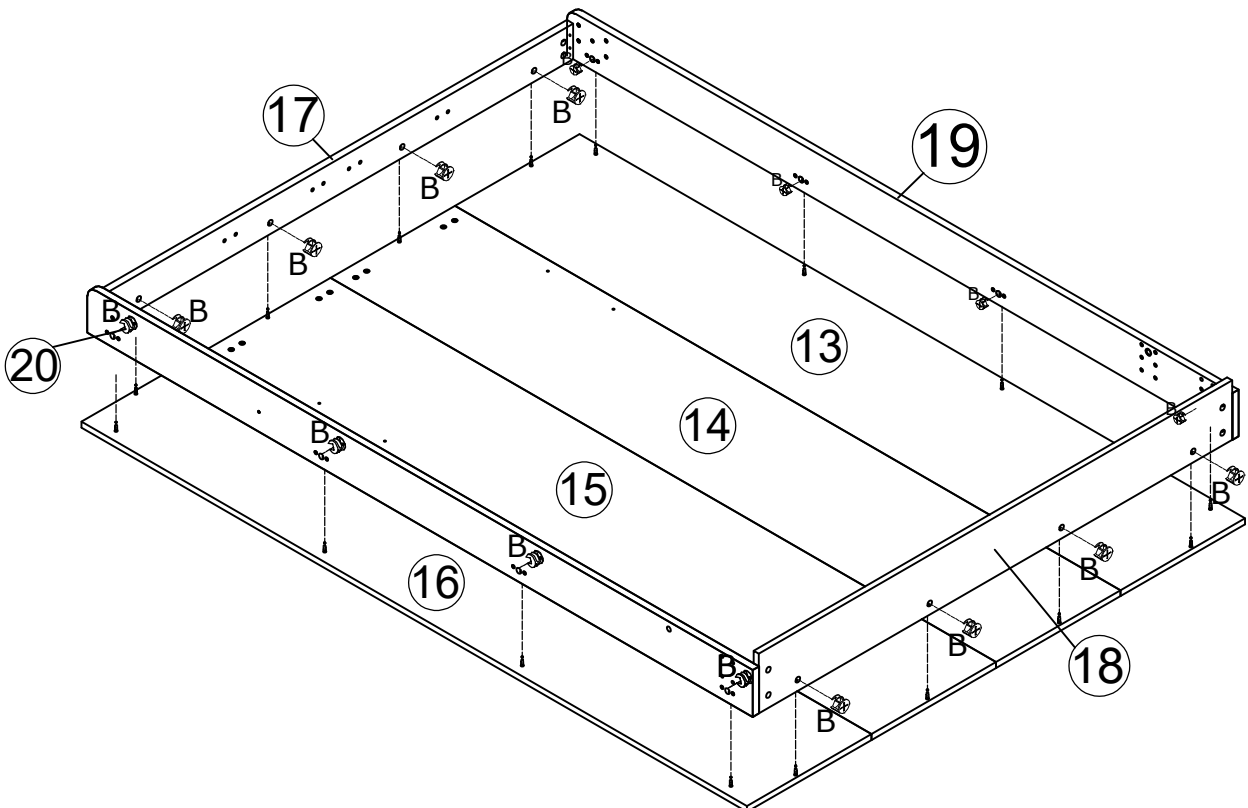
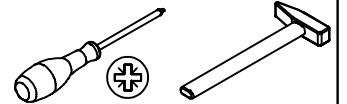


13

B x 16



Ø15 x 10mm



14

AD x 16

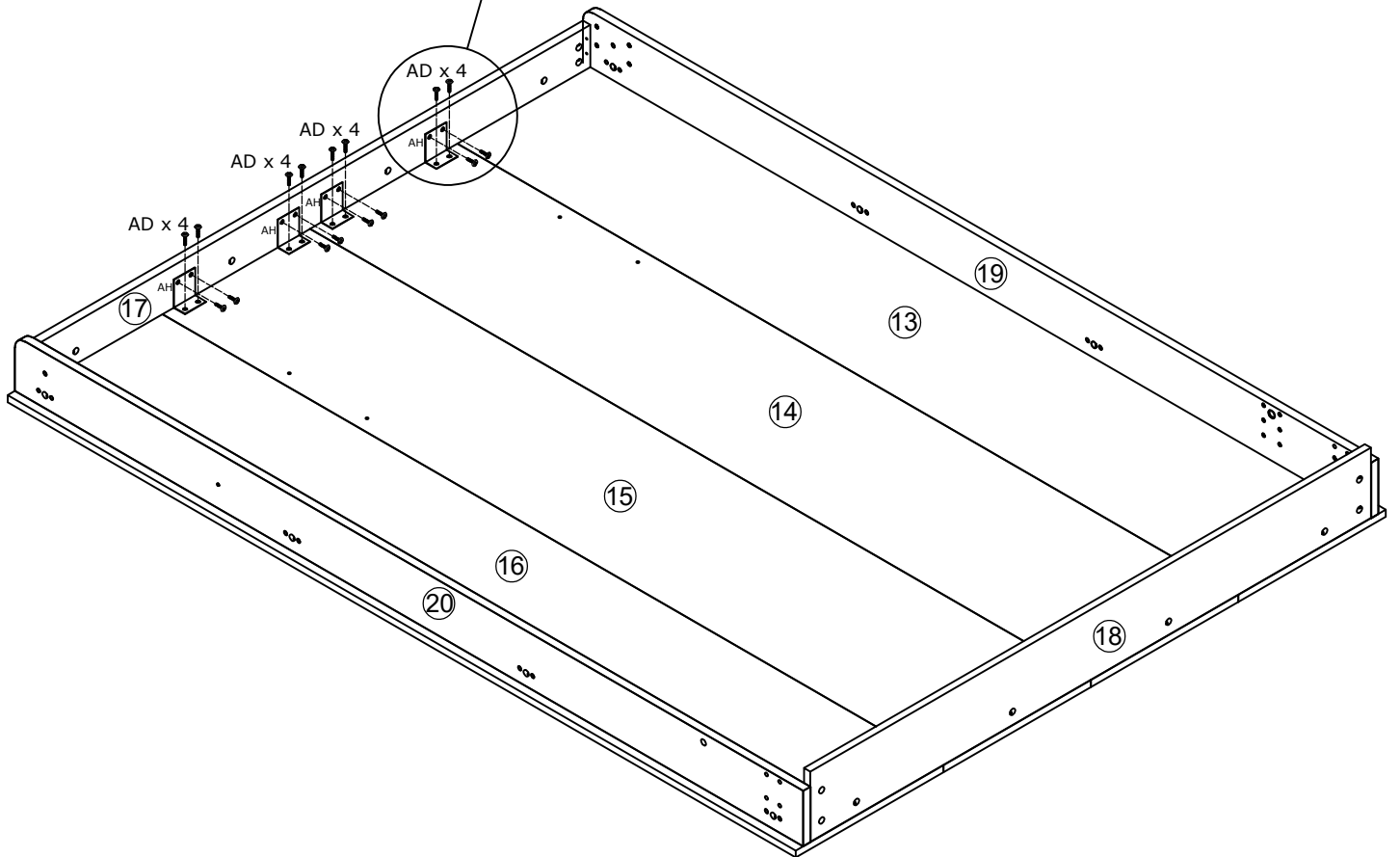
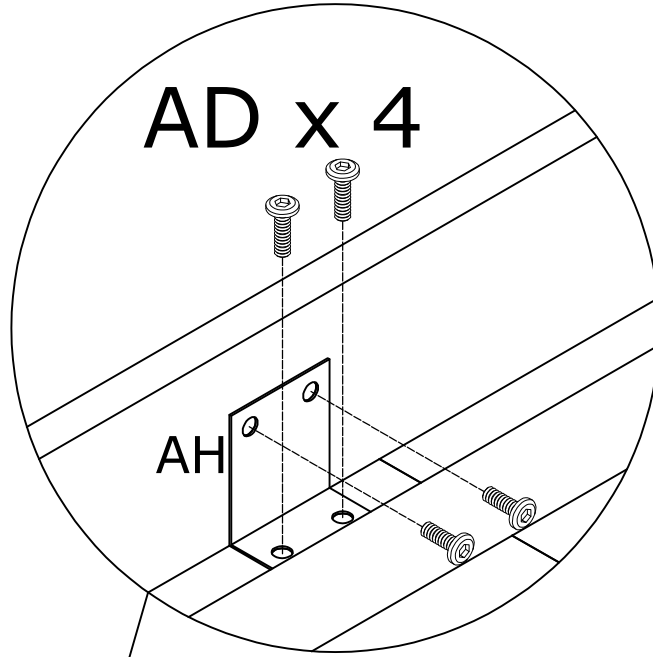
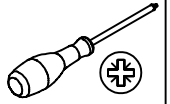


Ø6 x 12mm

AH x 4



60*44*28mm



15

G x 12



Ø6 x 12mm

H x 12



Ø6 x 16mm

Z x 4

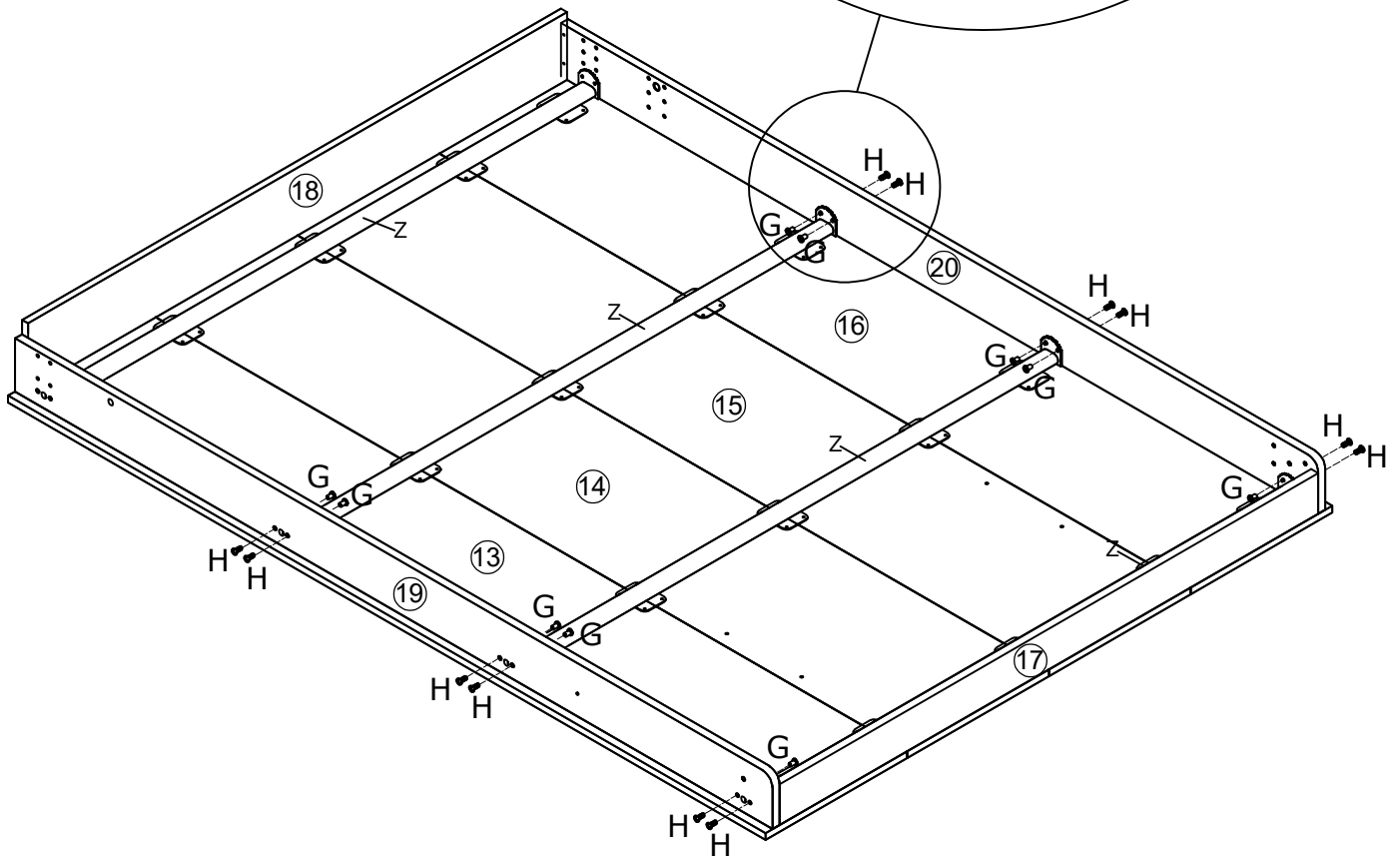
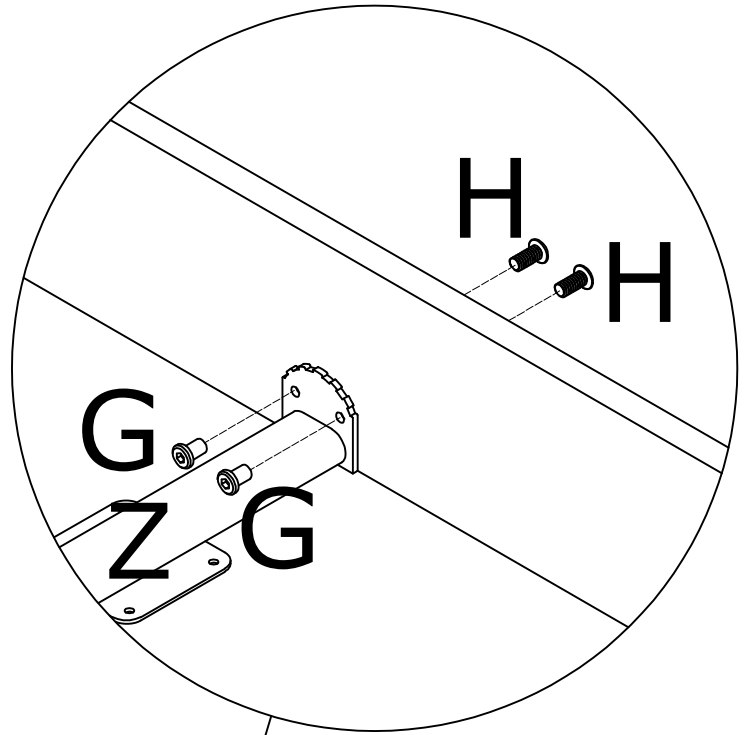
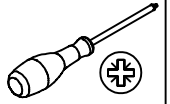


1380x80x50mm
1.5mm

AF x 2



M4

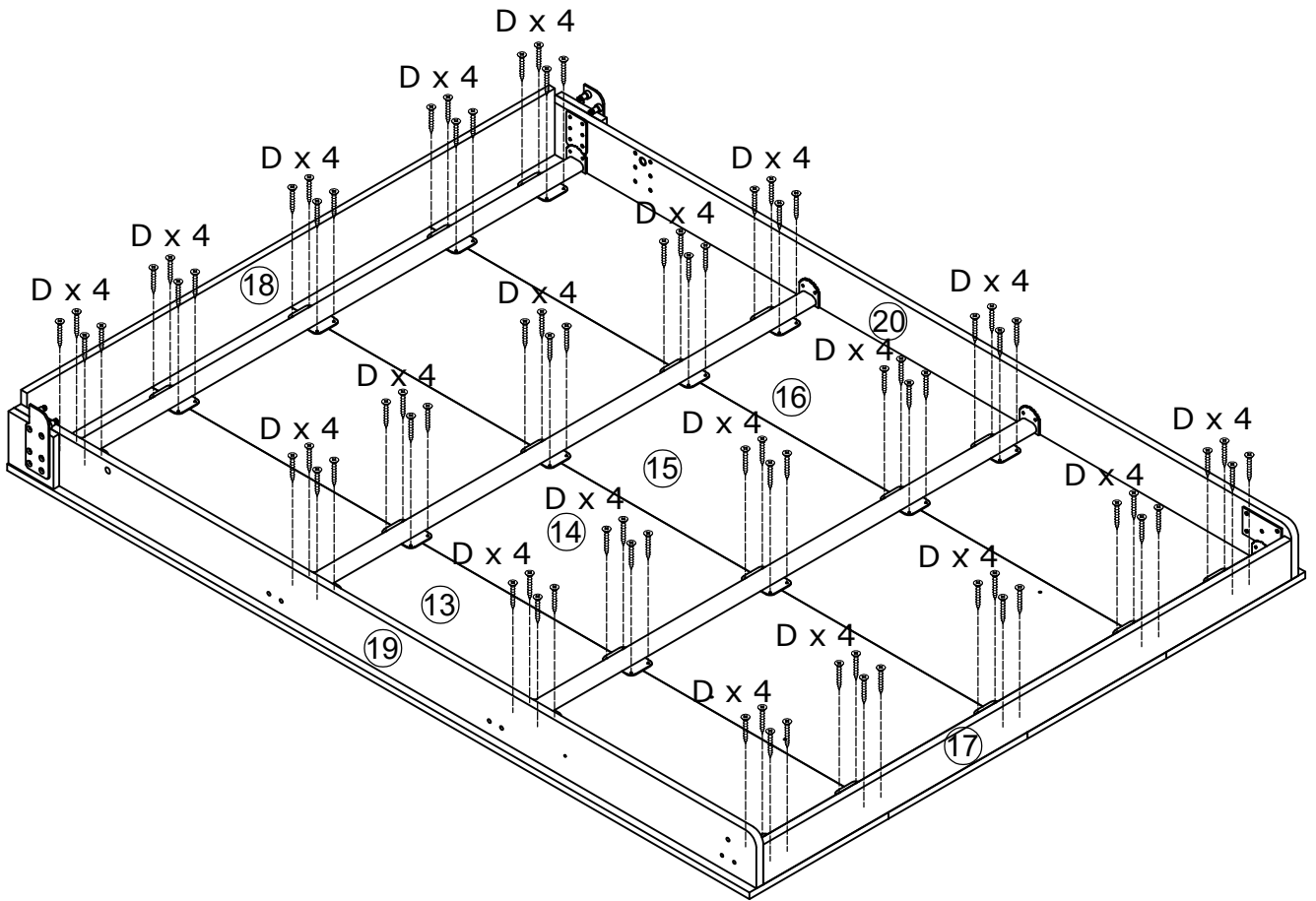
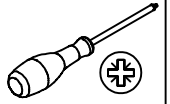


17

D x 80



Ø3.5 x 14mm



18

X x 2



AD x 2



Ø6 x 12mm

AK x 2



Ø6 x 43mm

L x 4

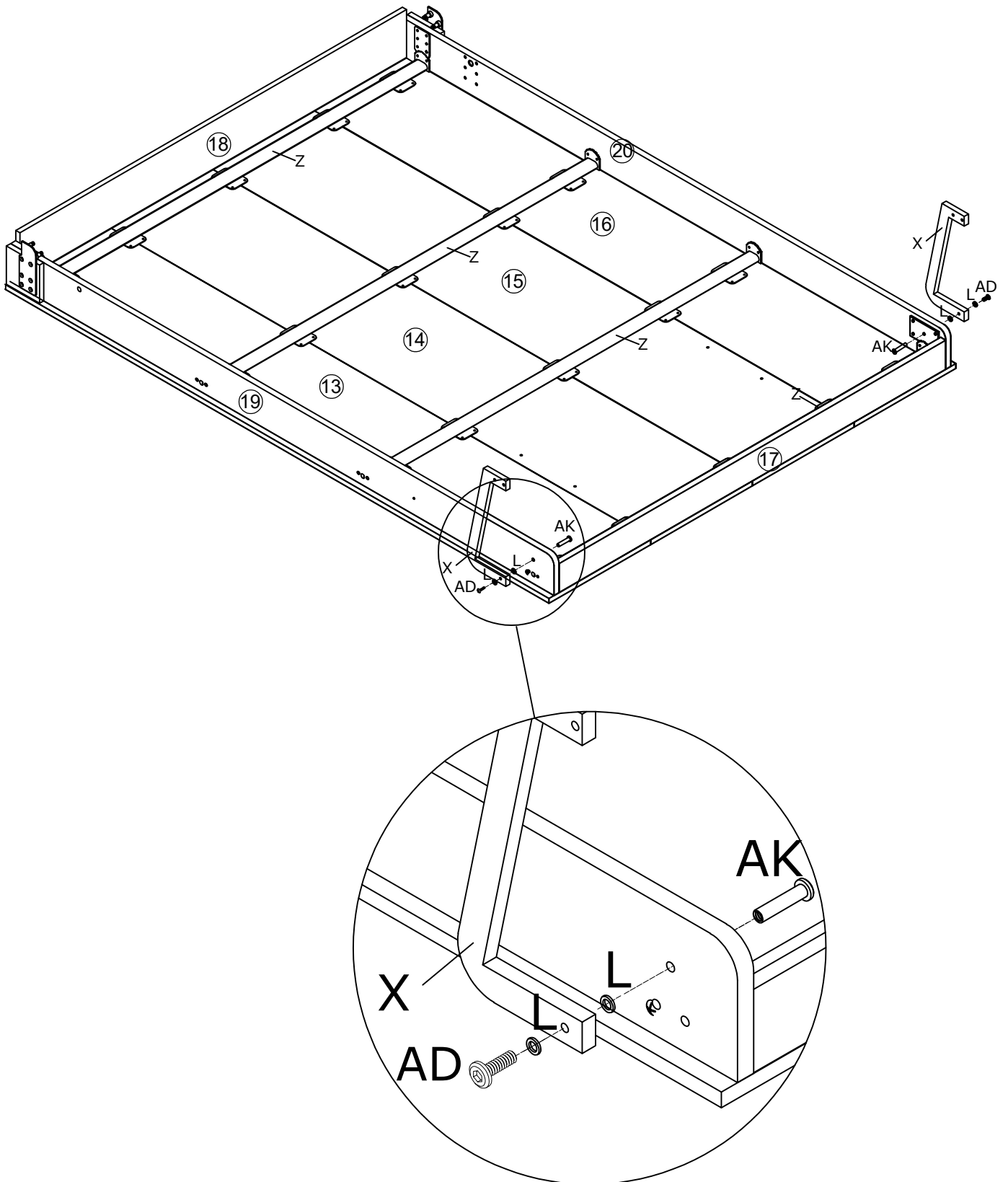
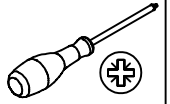


M8 x 2mm

AF x 2



M4



19

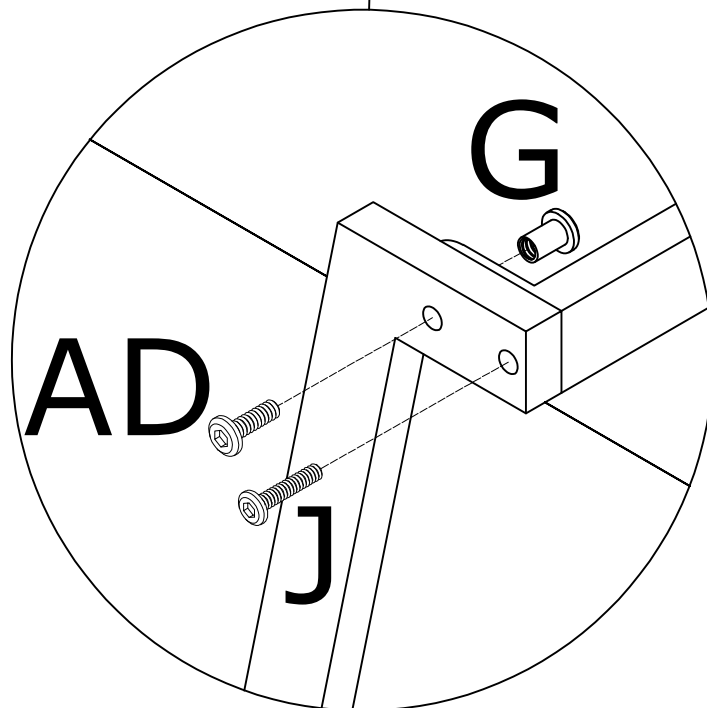
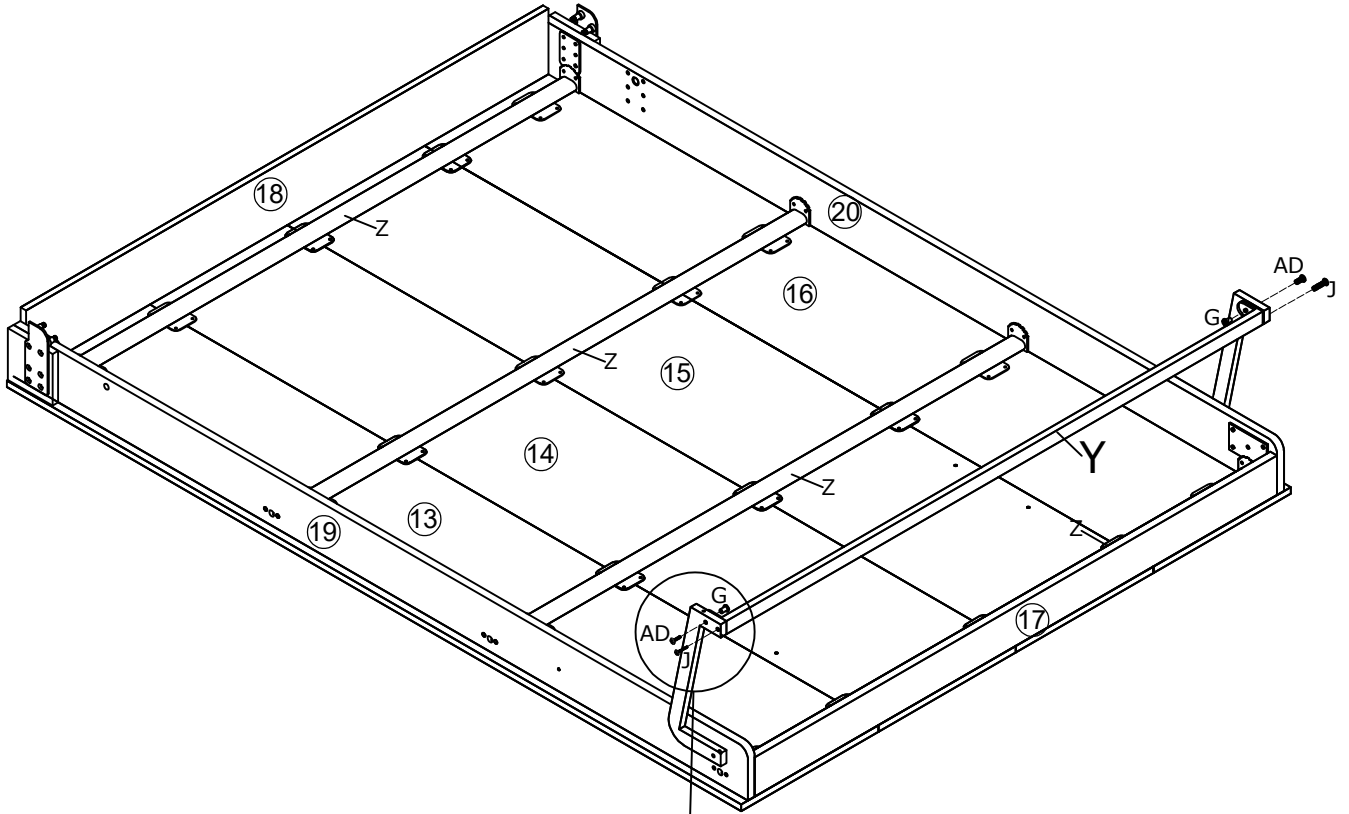
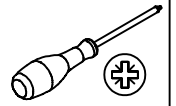
Y x 1
1420x50x30mm

G x 2
Ø6 x 12mm

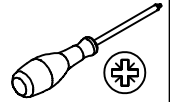
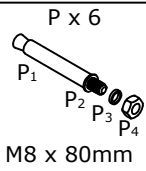
J x 2
Ø6 x 30mm

AD x 2
Ø6 x 12mm

AF x 2
M4

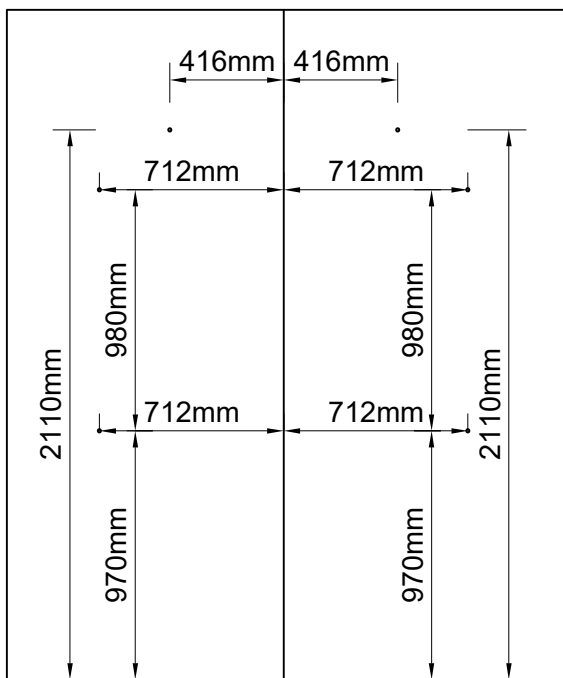


20

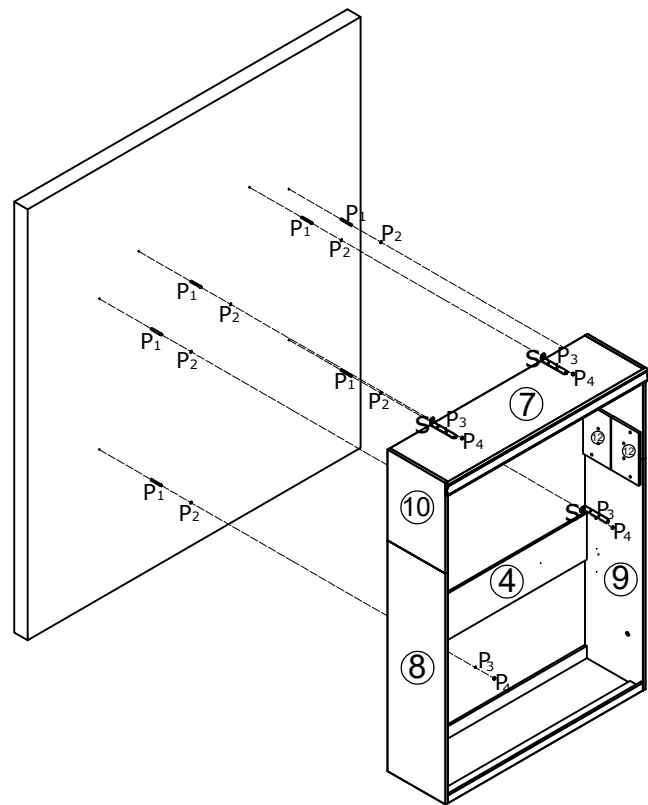


Note:

1. The wall must be constructed of solid brick, concrete, or other rigid structures.
2. Use a professional tool to drill a hole with a diameter of 10 mm and a depth of 60 mm in the wall, following the size indicated by the icon.
3. Insert the P1 expansion rod into the wall hole.
4. Next, move the cabinet body horizontally to align P1 with S and then lock them in place.
5. After firmly locking the screws on the top of the cabinet, open the door and then lock the screws inside.



Pre-embedded Hole
Location Diagram of the
Wall



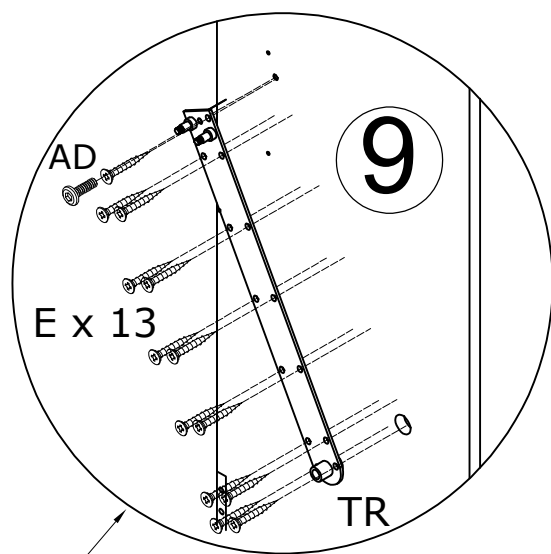
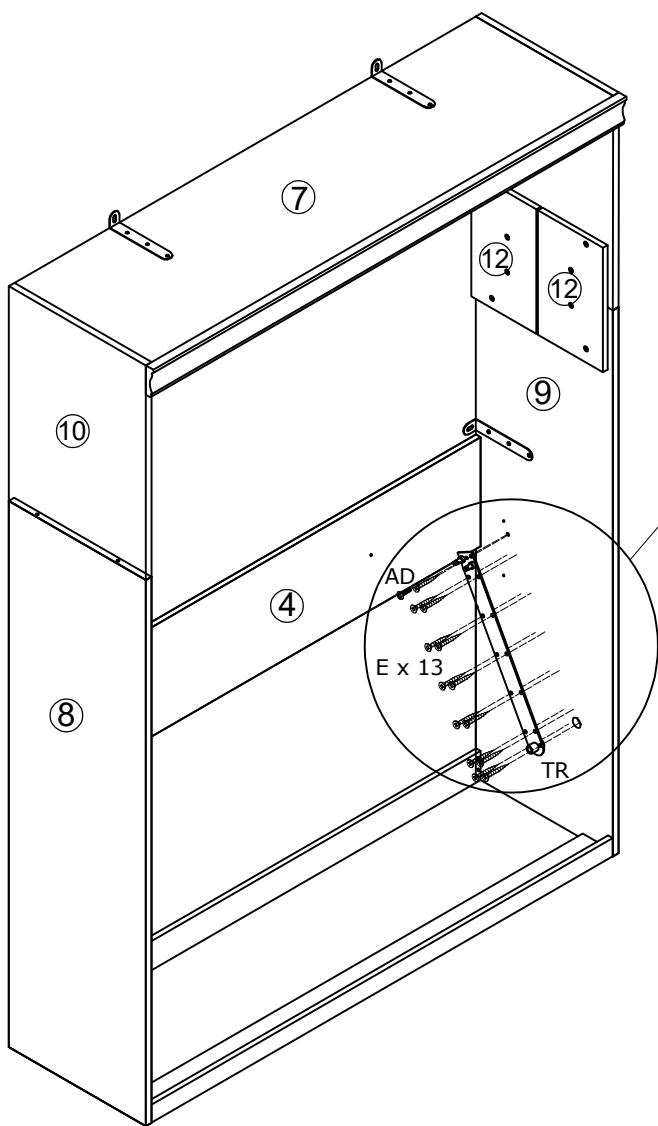
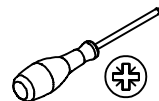
Note: Don't open the bed body before the cabinet is securely fastened to the wall. Otherwise, the cabinet could collapse.

21

E x 13
Ø3.5 x 20mm

T x 1
TL TR

AD x 1
Ø6 x 12mm



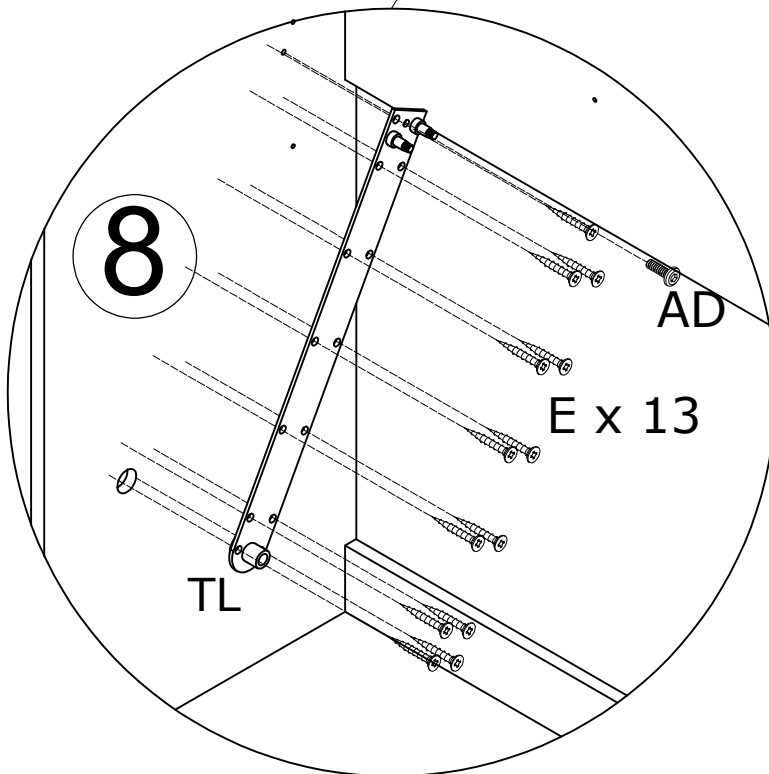
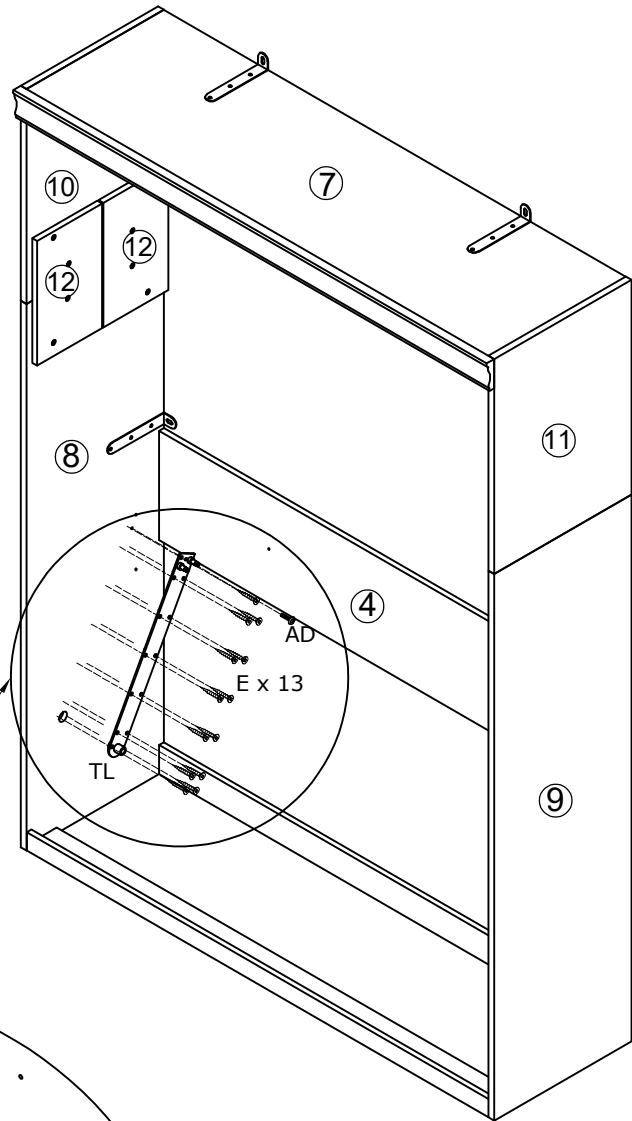
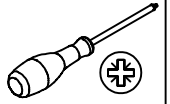
Right Side

22

E x 13
Ø3.5x 20mm

T x 1
TL TR

AD x 1
Ø6 x 12mm



Left Side

23

V x 1



84*60*3.5mm

AD x 6

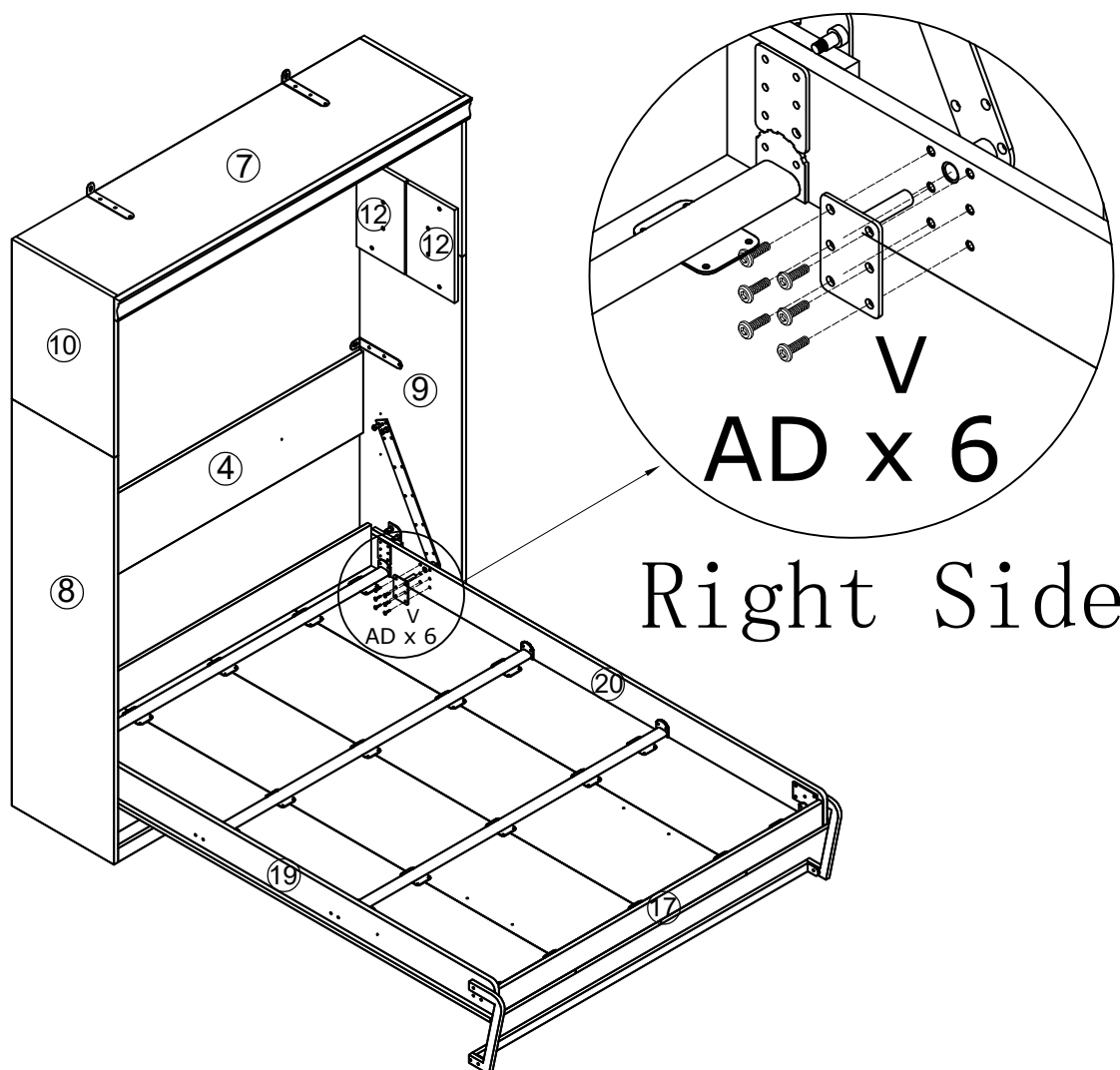
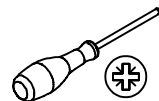


Ø6 x 12mm

AF x 2



M4



Right Side

Note:

1. This installation step requires three people at least.
2. Two people should lift the bed frame (i.e., boards 13 - 20) and move it towards the bed box.
3. Thread Part V through boards 19 and 20 and insert it into the lower end of Part T. Install it as shown in the enlarged diagram. Make sure the gaps on both sides are consistent.

24

V x 1



84*60*3.5mm

AD x 6

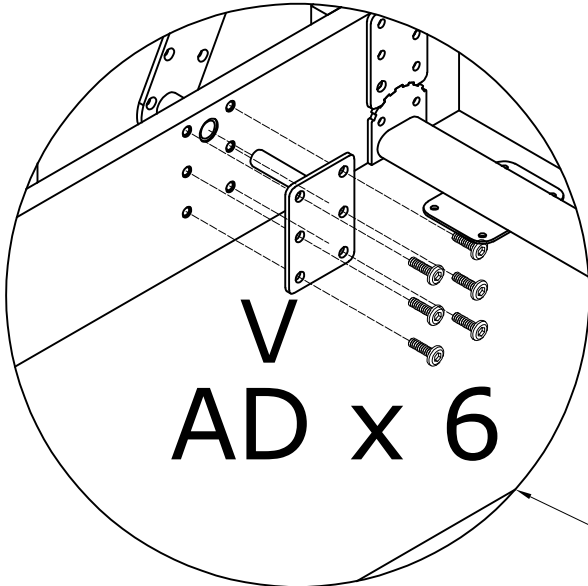
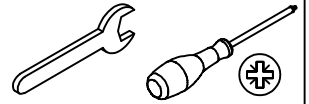


Ø6 x 12mm

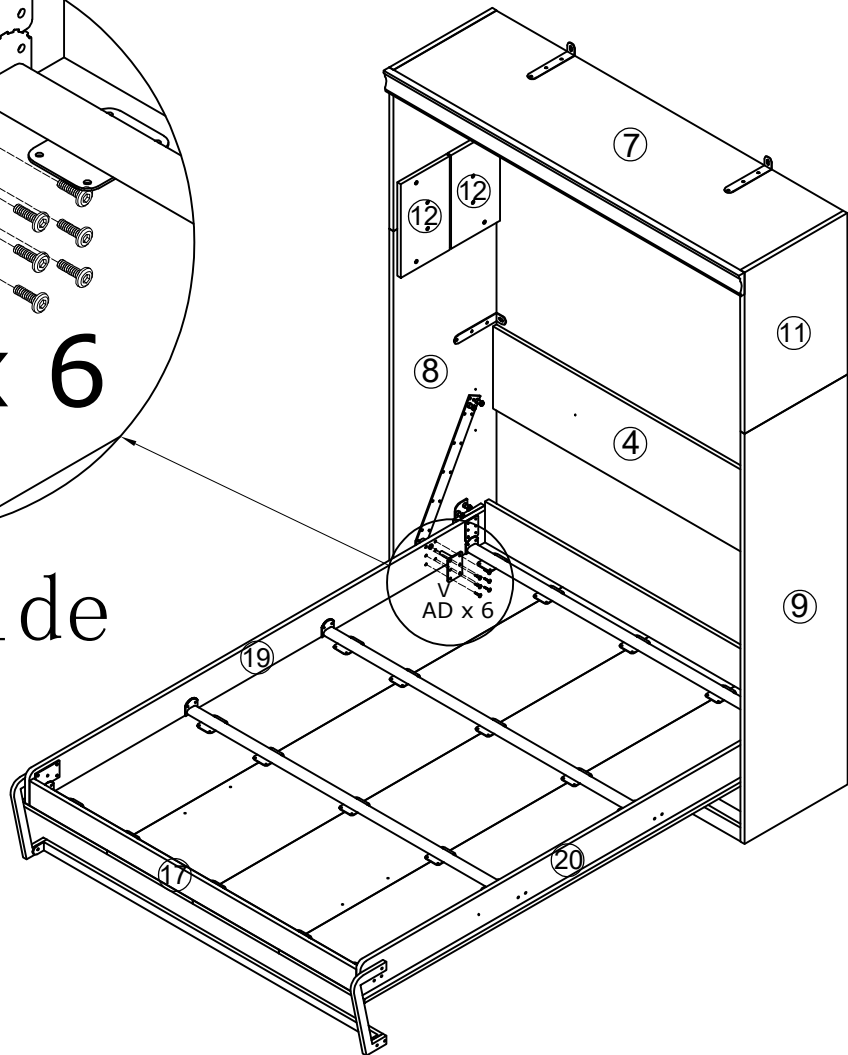
AF x 2



M4

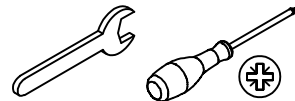


Left Side



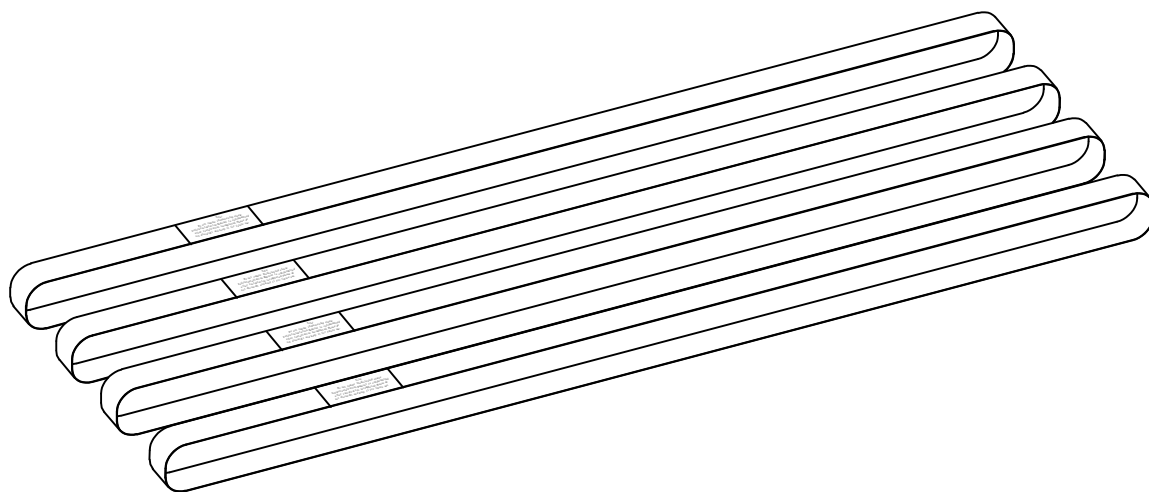
Note:

1. This installation step requires three people at least.
2. Two people should lift the bed frame (i.e., boards 13 - 20) and move it towards the bed box.
3. Thread Part V through boards 19 and 20 and insert it into the lower end of Part T. Install it as shown in the enlarged diagram. Make sure the gaps on both sides are consistent.



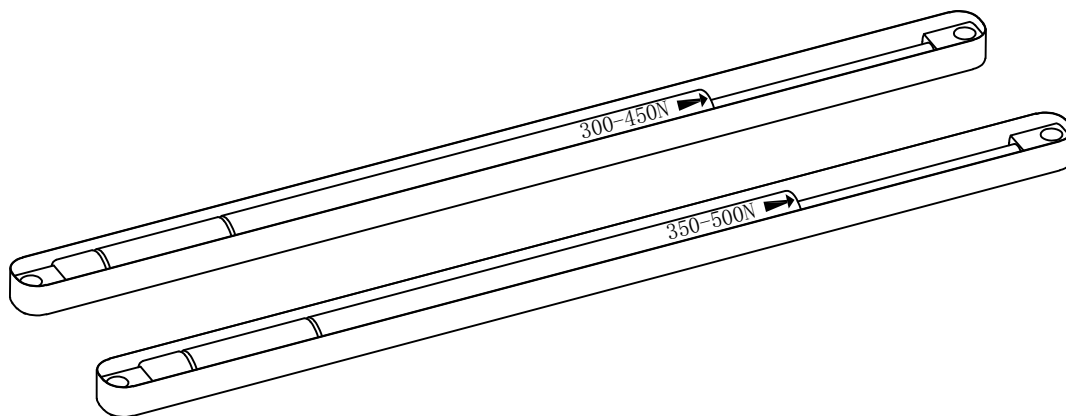
Note:

Do not remove the fastening sleeve before installation. Removal is only permitted after installation is completed. Please do not discard it and keep it for future use.

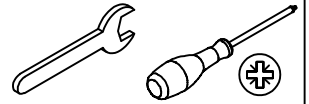
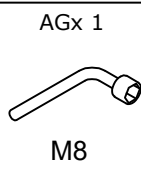
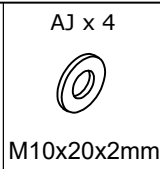


Note:

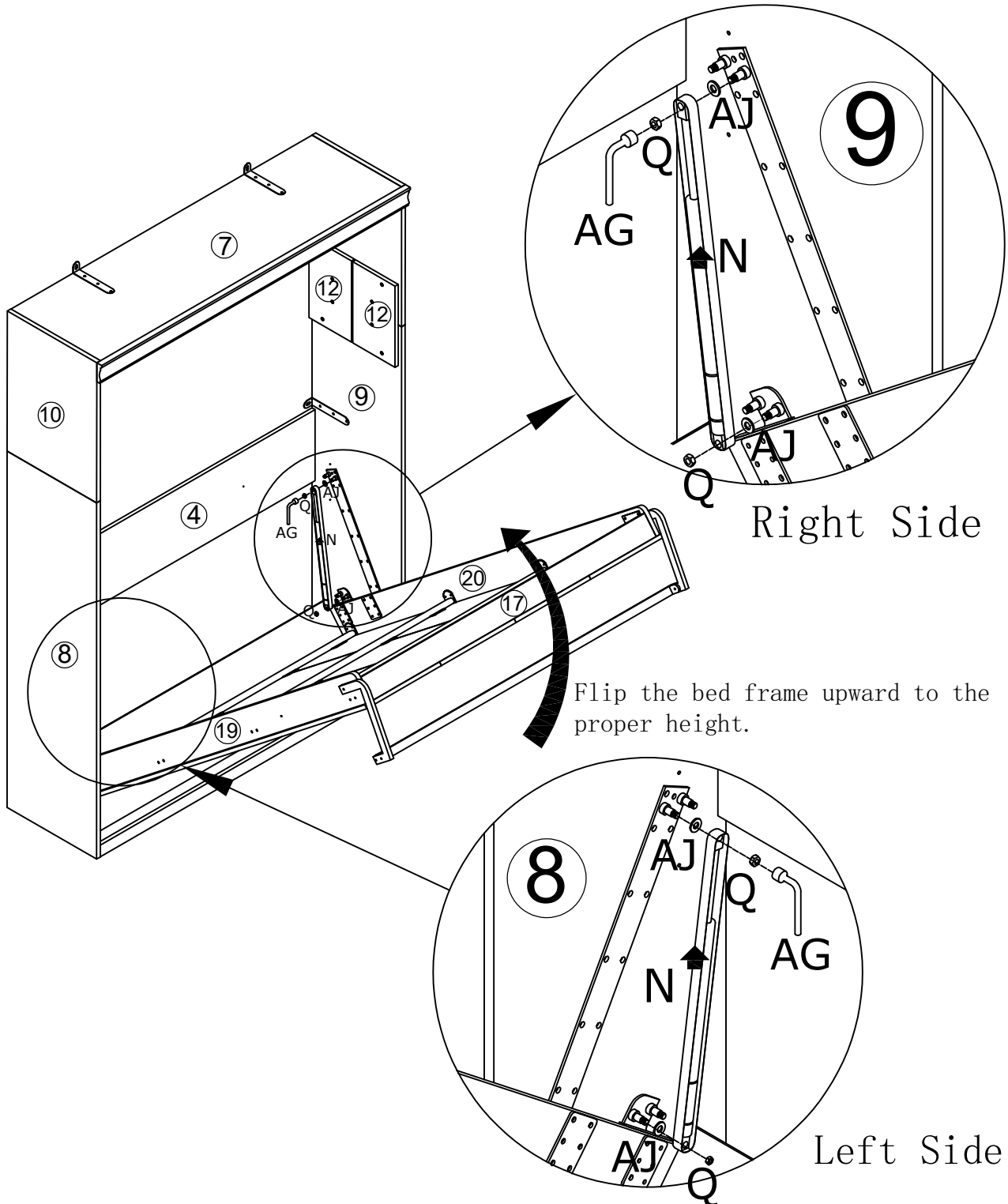
Gas Struts upward



26



Install the gas strut: first install the outer side (note the direction of the gas strut), lift the bed frame to a proper height, place the gas strut in, press the bed frame down, take out the Fastening sleeve, and tighten the nut.



Flip the bed frame upward to the proper height.

27

M x2



350-500N

Q x 4



M8

AJ x 4

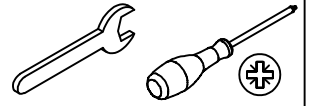


M10x20x2mm

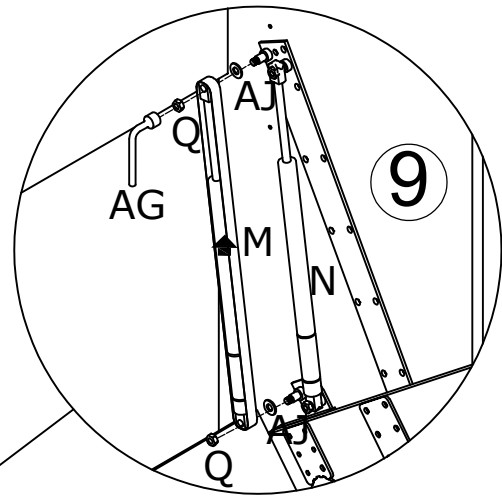
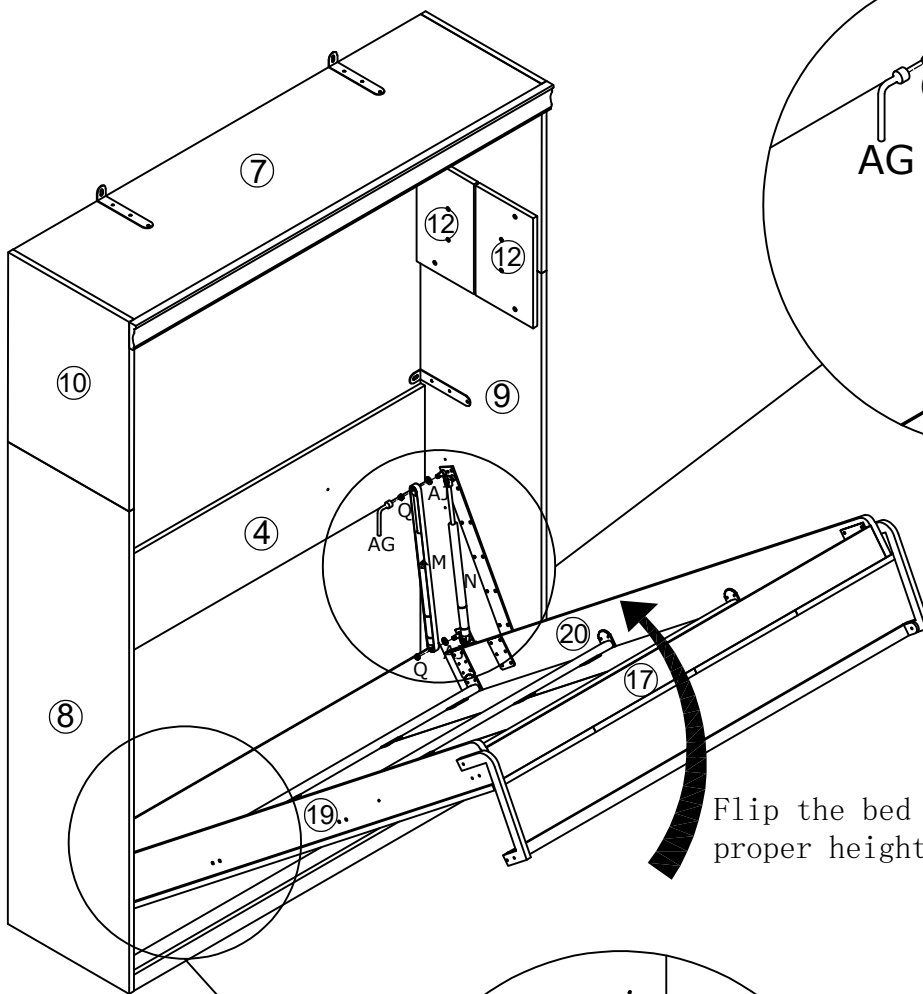
AGx 1



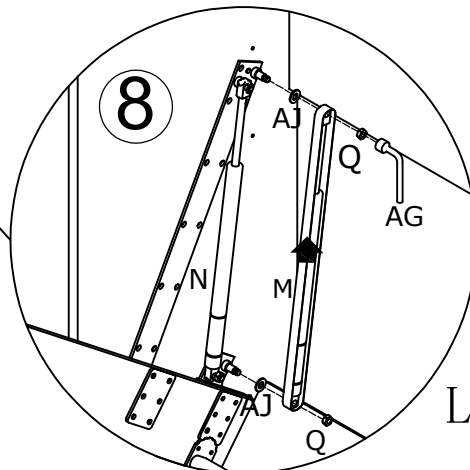
M8



Install the hydraulic rods, then attach the inner part (note the direction of the hydraulic rods). Lift the bed frame to a suitable height, insert the hydraulic rods, press the bed frame down, remove the iron washers, and tighten the nuts.



Right Side



Left Side

28

AA x 2

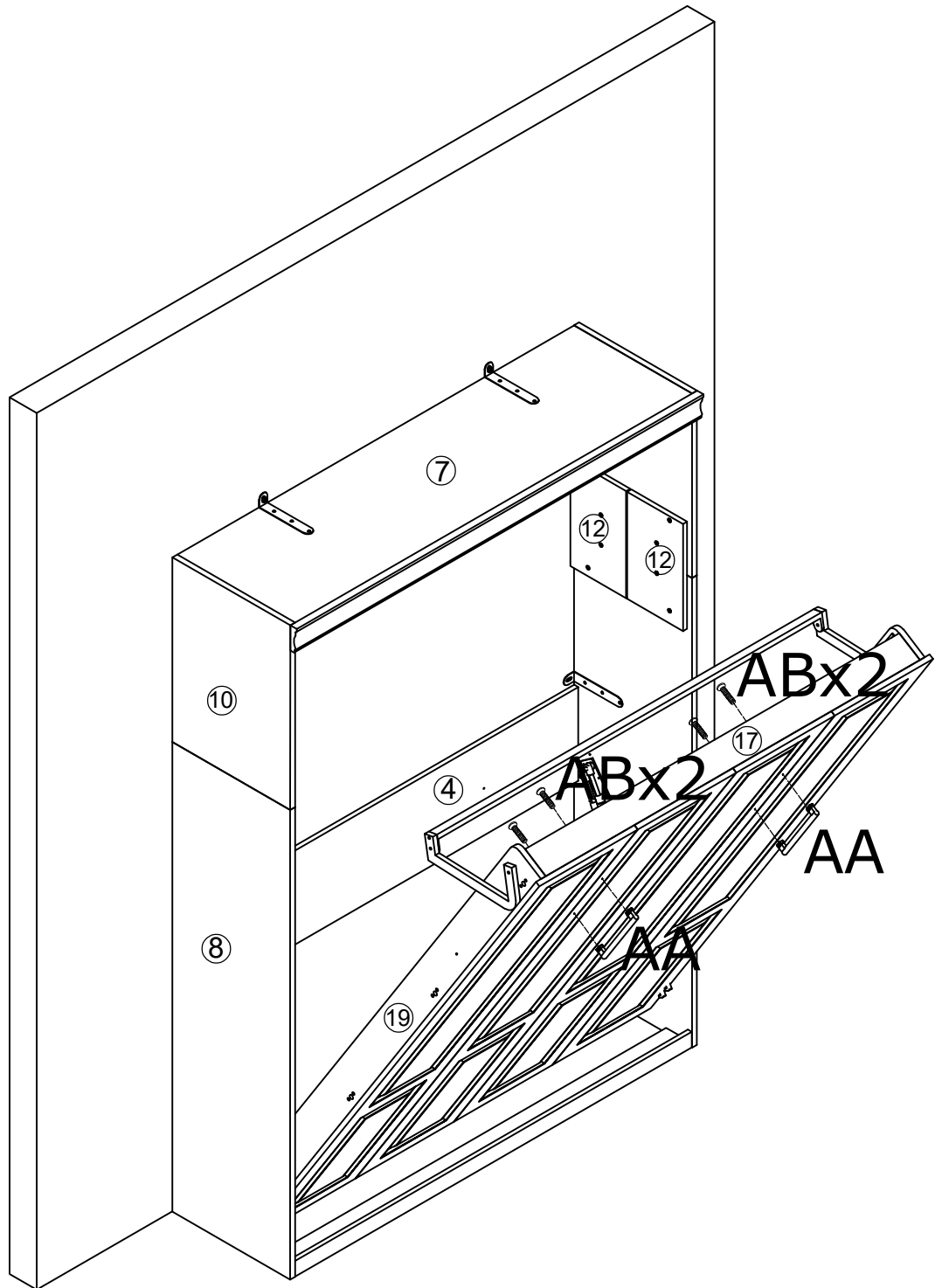
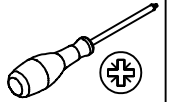


192mm

AB x 4



Ø4 x 20mm



Note: Install the handle when the cabinet is opened to the halfway point.

29

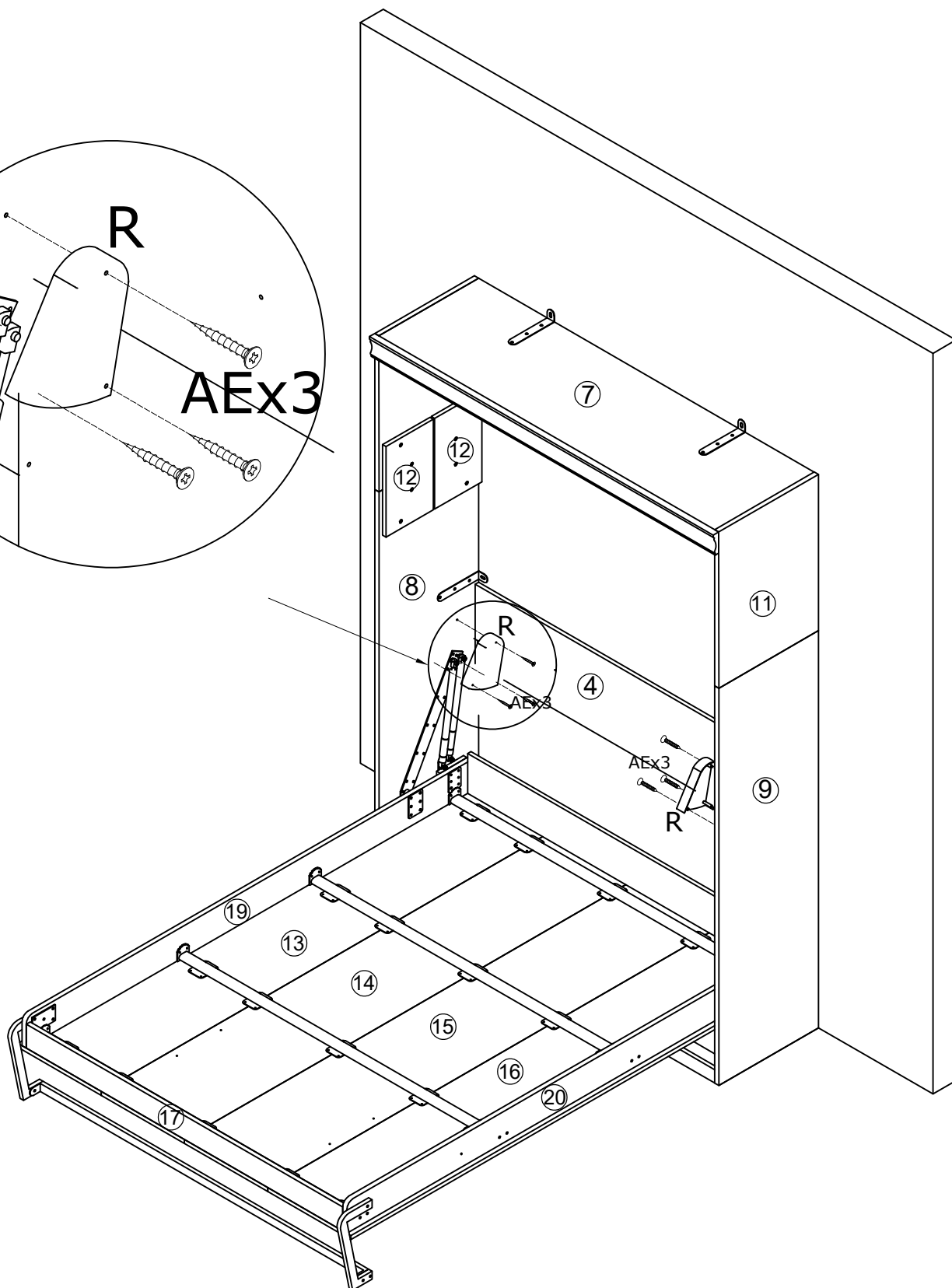
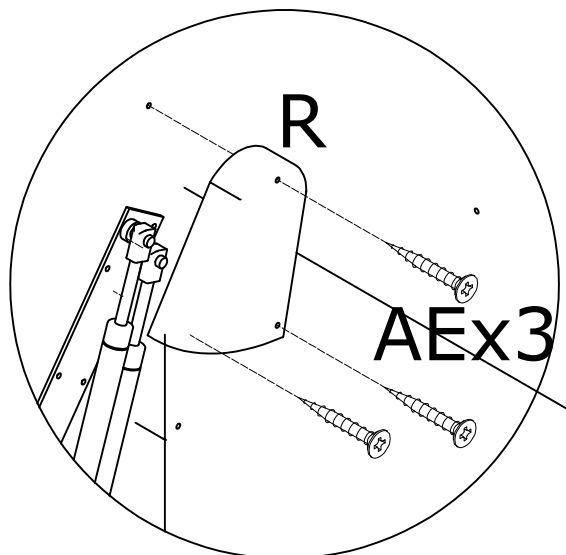
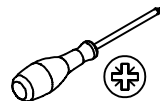
R x 2



AE x 6



Ø3.5 x 30mm



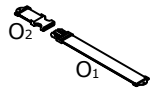
30

D x 2



Ø3.5 x 14mm

O x 1

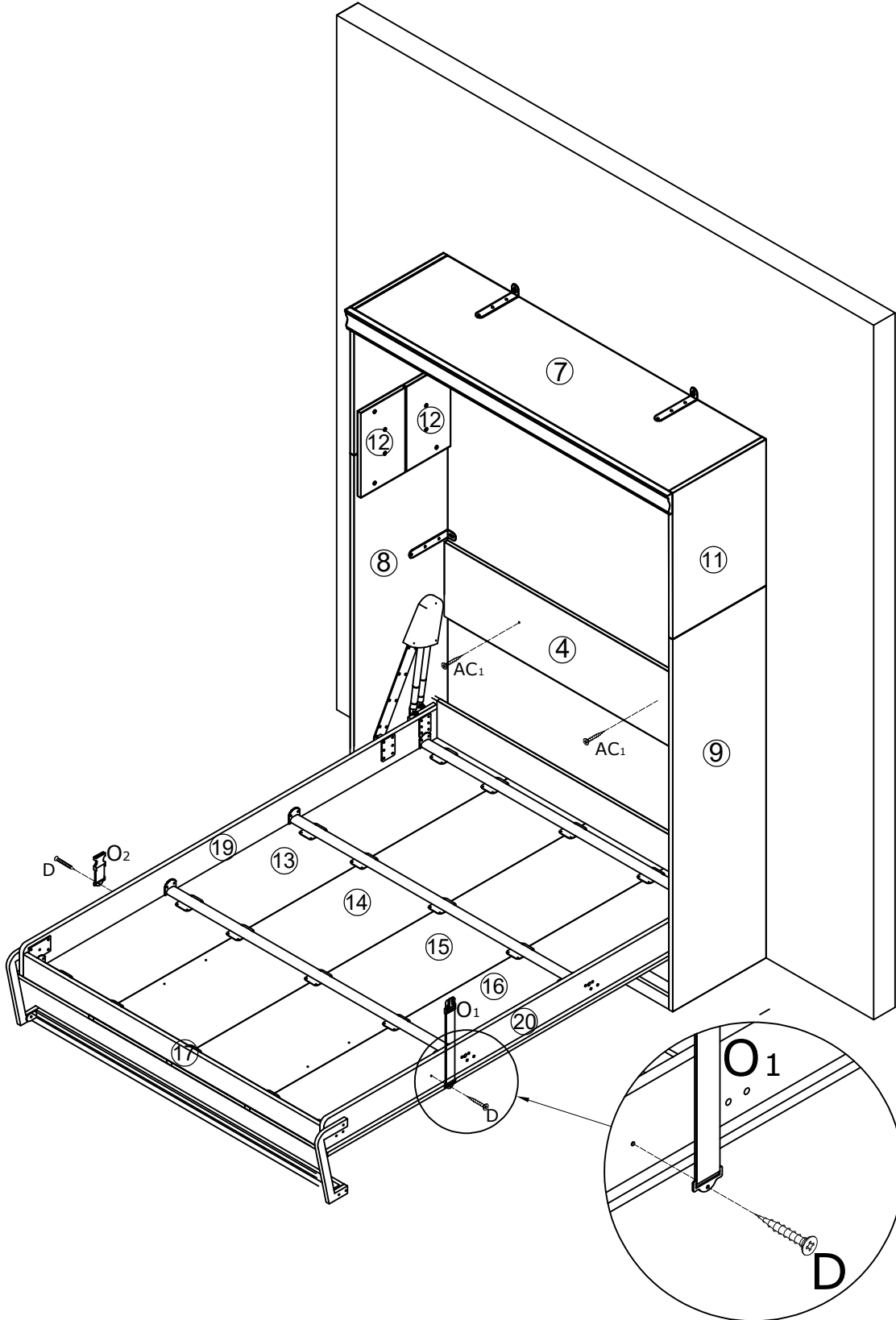
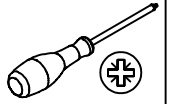


2M

AC x 2

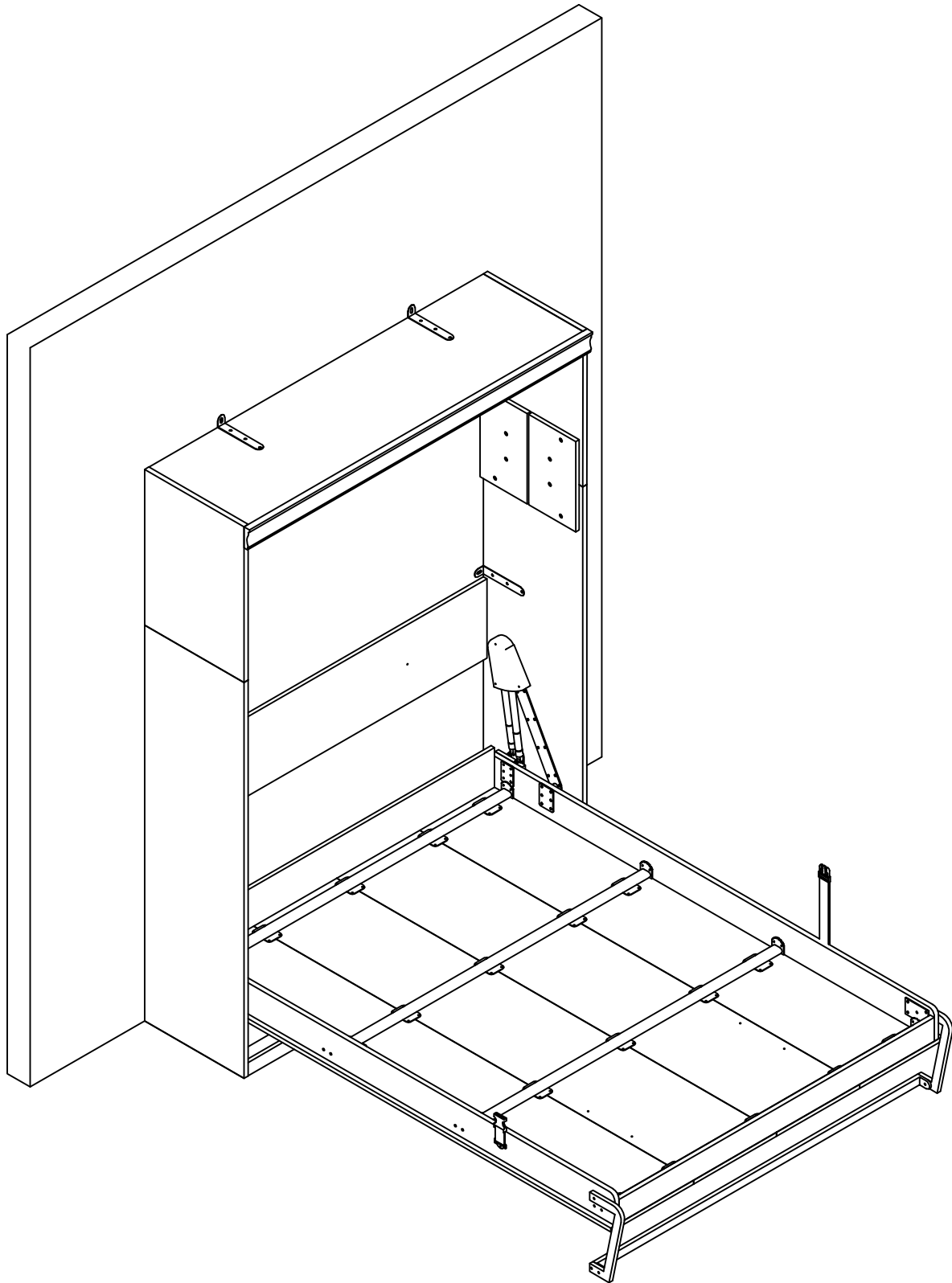
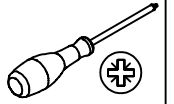


Ø6 x 60mm



Note: When the empty frame is pulled down, it exerts a significant amount of force and rebounds. This is a normal phenomenon. The empty frame cannot be laid completely flat; a mattress and door panel are required to add weight to it.

31



OK