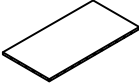








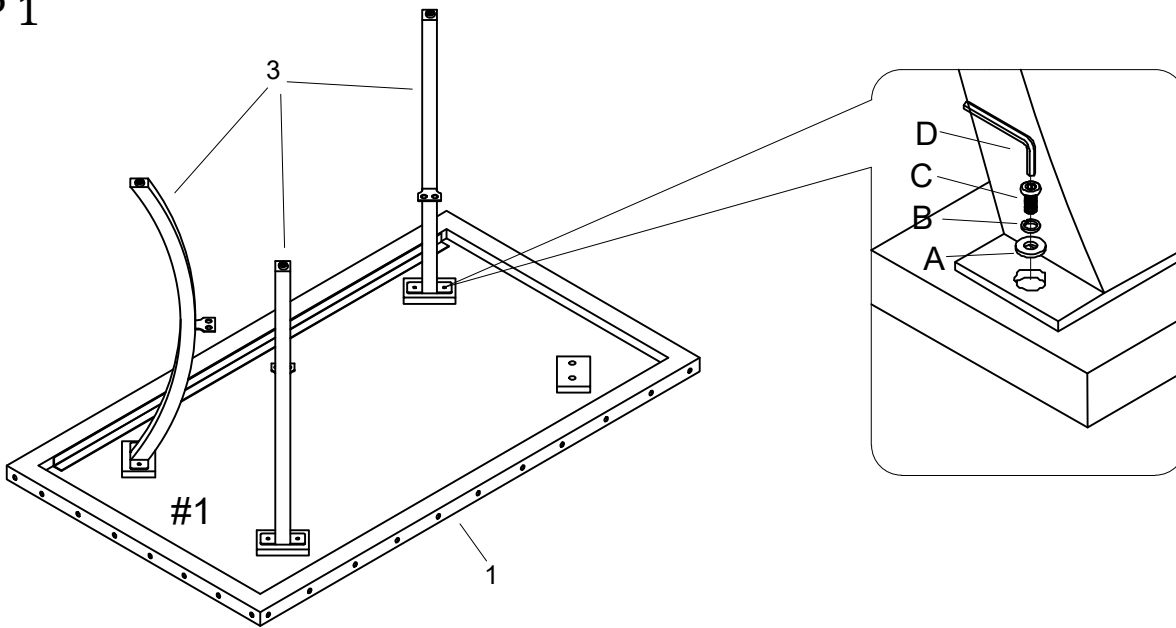
# ASSEMBLY INSTRUCTION

DIMENSION : 66"W x 38"D x 30"/36"H

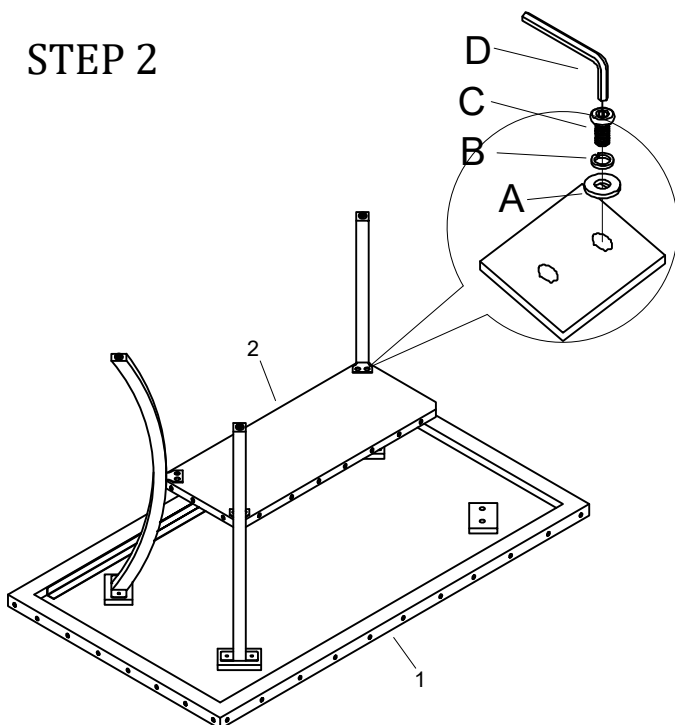
Item No: F2518/F2519

No	LIST OF PART	Q'TY	No	LIST OF HARDWARE	Q'TY
1	TOP 	1PC	A	FLAT WASHER 	16pcs
2	SHELF 	1PC	B	LOCK WASHER 	16pcs
3	LEG 	4PC	C	LONG BOLT 	16pcs
			D	ALLEN KEY 	1pcs

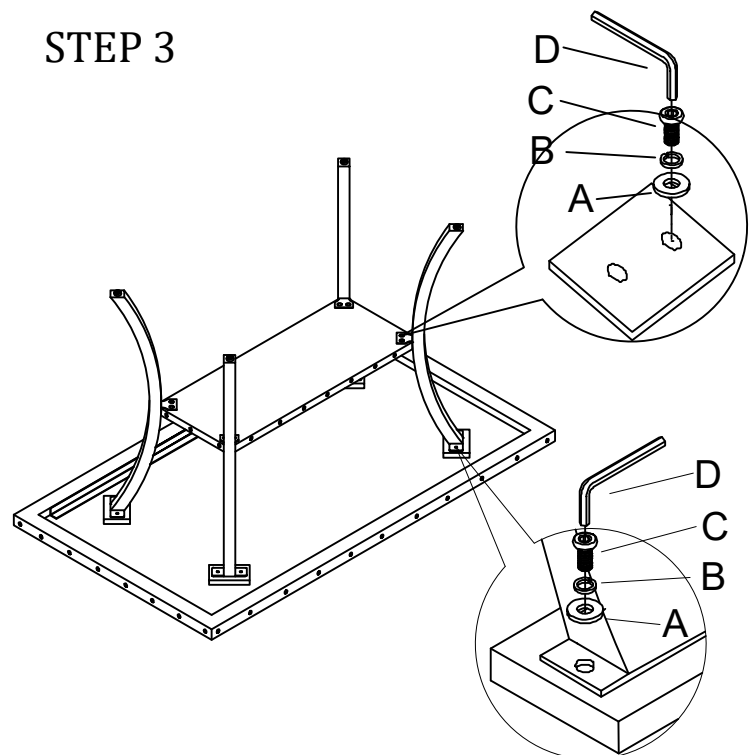
## STEP 1



## STEP 2



## STEP 3



# ASSEMBLY INSTRUCTION

DIMENSION : 66"W x 38"D x 31"H

Item No: F2518

Description: **Hight Chair**

