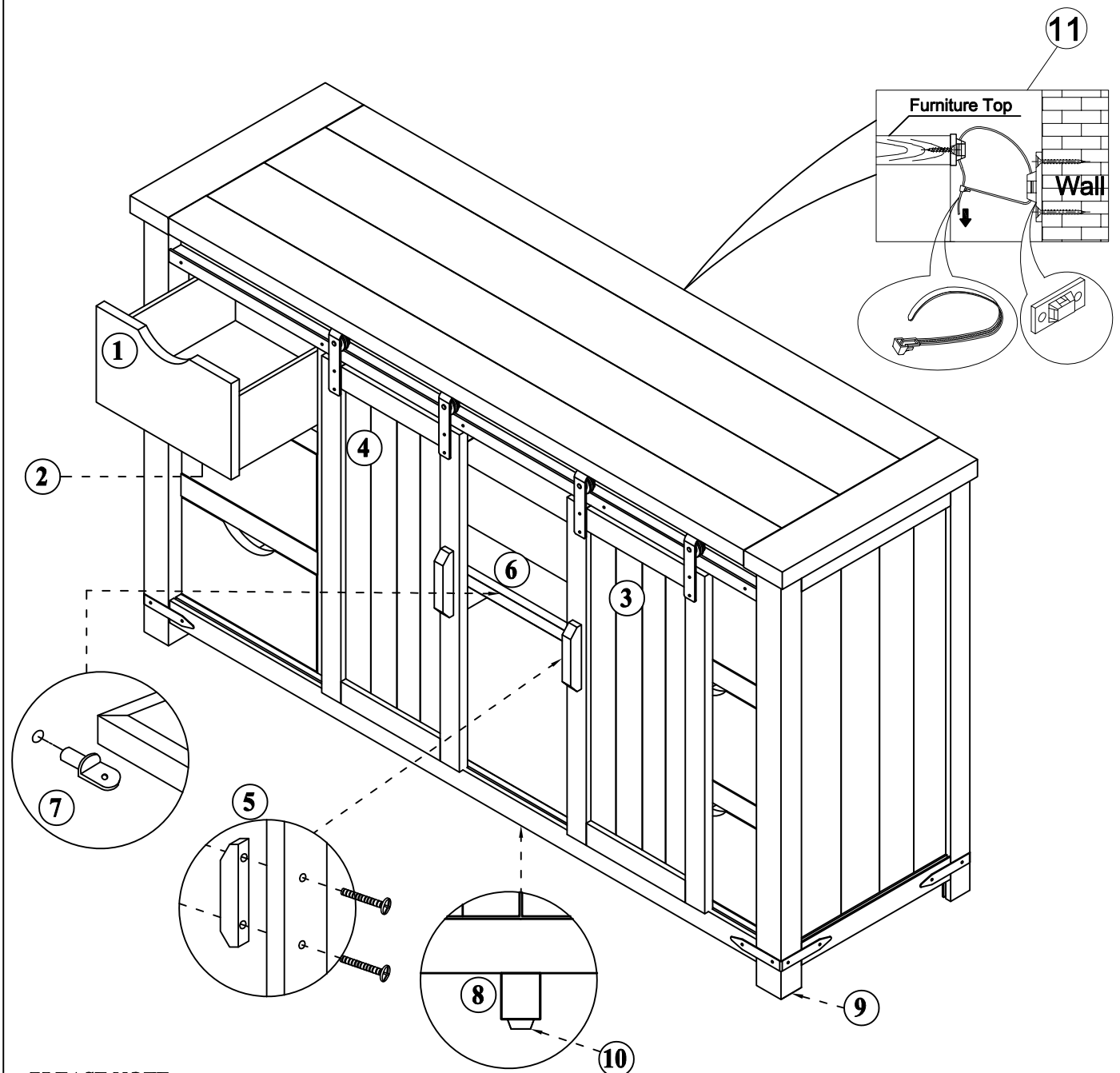


# ASSEMBLY INSTRUCTIONS & PARTS IDENTIFICATION

## MEDIA UNIT/ SERVER

**Thank you for purchasing this quality product. Be sure to check all packing material carefully for small parts that may have come loose inside the carton during shipment.**

Parts key							
No	Code	Qty	Description	No	Code	Qty	Description
1		6 Pcs.	Drawer Complete	7		4 Pcs.	Shelf Pin
2		6 Sets.	Drawer Glide	8		2 Pcs.	Center Leg
3		1 Pc.	Right Facing Door	9		4 Pcs.	Floor Glide
4		1 Pc.	Left Facing Door	10		2 Pc.	Leveler
5		2 Pcs.	Wood Handle W/Screws	11		1 Set.	Anti- Tip Kit
6		1 Pc.	Shelf				



**PLEASE NOTE :**

**To avoid the possibility of the furniture tipping and injury. The anti tip hardware must be installed**