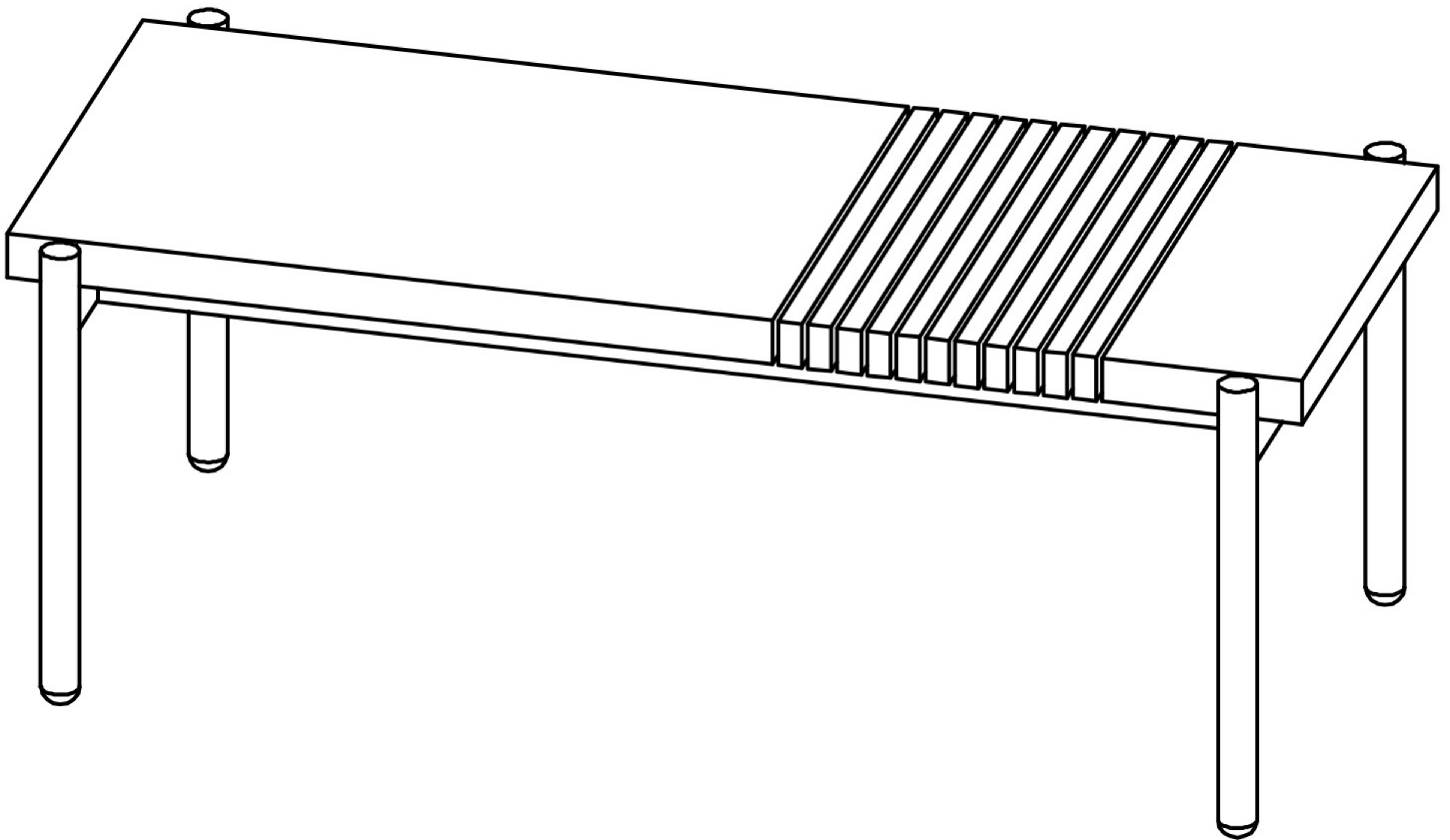
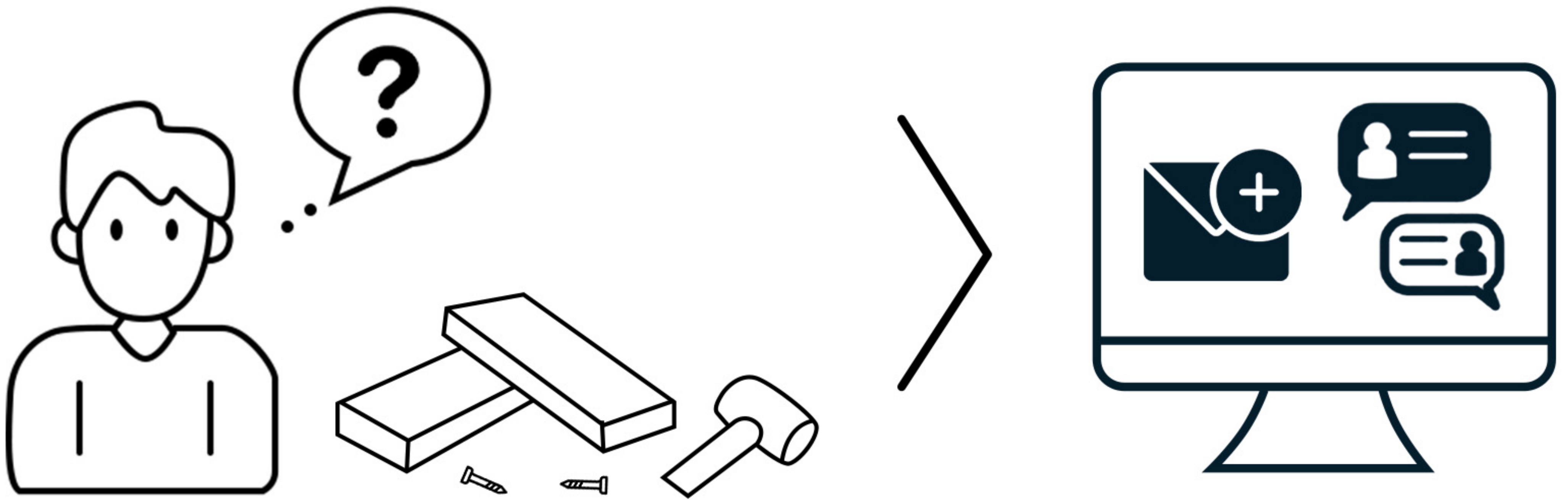


# INSTRUCTION MANUAL



## Coffee Table


OICS-006-GY/OICS-006-GN/OICS-006-WH




## **Questions? Comments? Reach out to us for expert support!**

 [service@sundaleoutdoor.com](mailto:service@sundaleoutdoor.com)

 [sundaleoutdoor.com](http://sundaleoutdoor.com)

 (626) 899-5788

 2080 S Cucamonga Ave,  
Ontario, CA 91761

Follow sundaleoutdoor on





# READ & SAVE BELOW INSTRUCTIONS BEFORE ASSEMBLY

1. Choose a clean, flat workspace with enough space.
2. Check all parts and tools before starting.
3. Read the instructions fully and follow the steps in order.
4. Tighten screws loosely at first, then fully after alignment.
5. Work safely and ask for help with heavy parts.

## WARRANTY

- Thank you for purchasing our outdoor furniture, We are pleased to offer a one-year warranty on the quality of the product. This warranty covers any manufacturing defects or malfunctions that may occur within the first year of ownership.
- Exclusions: The warranty does not cover damages resulting from misuse, negligence, accidents, normal wear and tear, unauthorized repairs or modifications, improper assembly, or failure to adhere to the care and maintenance guidelines provided.

## MAINTENANCE AND CARE

- Protect it from extreme weather by moving it to a covered area or using furniture covers.
- Avoid dragging heavy objects on the furniture to prevent damage.
- Regularly inspect for wear or damage and address any issues promptly.
- Check and tighten hardware connections periodically.
- Use a damp cloth with warm soapy water or a suitable cleaning product to clean the furniture.
- Ensure proper drying after cleaning to prevent mold growth.

## CALIFORNIA PROPOSITION 65

**⚠ WARNING:** This product can expose you to Carbon monoxide, which is known to the State of California to cause birth defects or other reproductive harm. For more information go to [WWW.P65Warnings.ca.gov](http://WWW.P65Warnings.ca.gov)

# PARTS

1. Before starting, double-check that all parts listed are included.
2. If any parts are missing or damaged, please contact us for assistance before assembly.
3. Keep small parts away from children to avoid choking hazards.
4. Organize the parts for easy access during assembly.

## PARTS

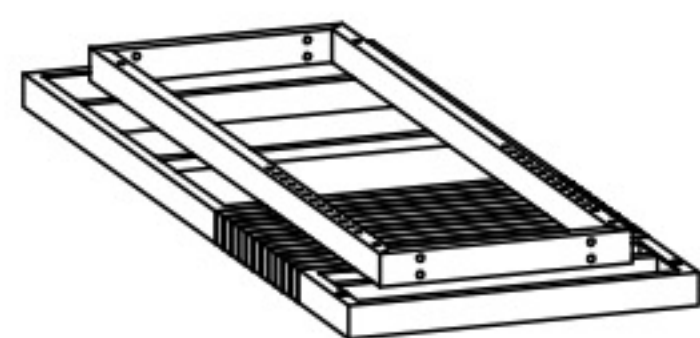
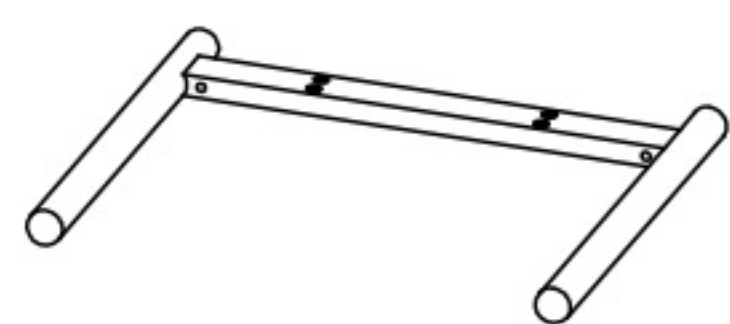
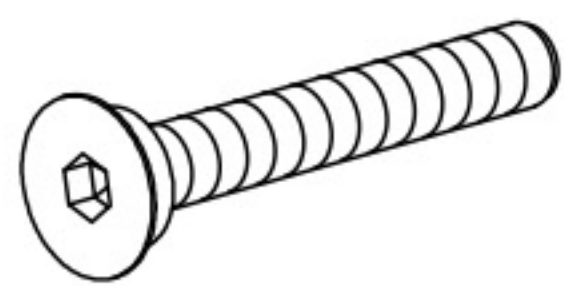


Table Top  
A×1

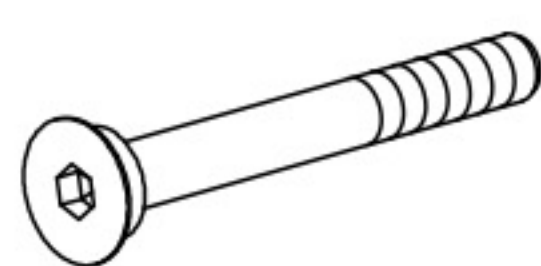


Support Leg  
B×2

## HARDWARES



Bolt M6\*35MM  
C×8

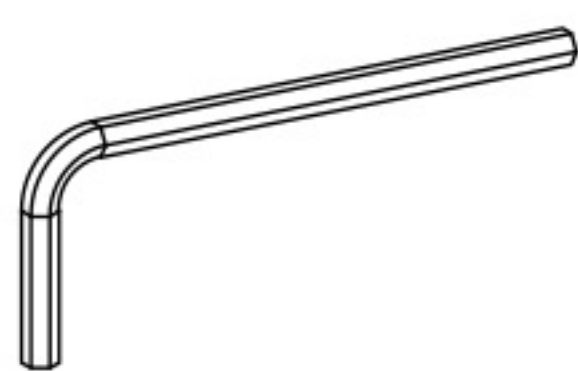


Bolt M6\*55MM  
D×4



Washer  
E×12

## TOOL



Allen Wrench

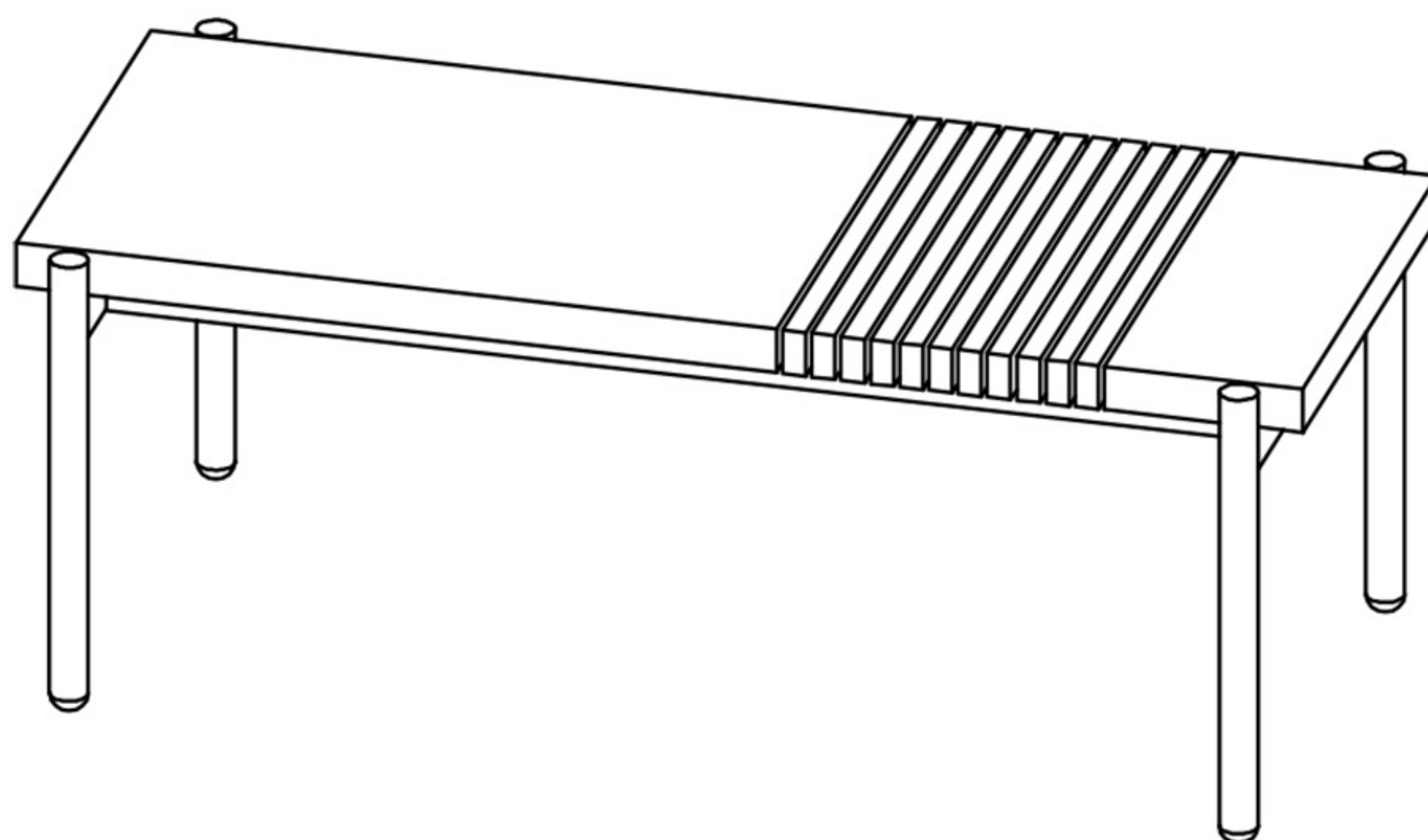
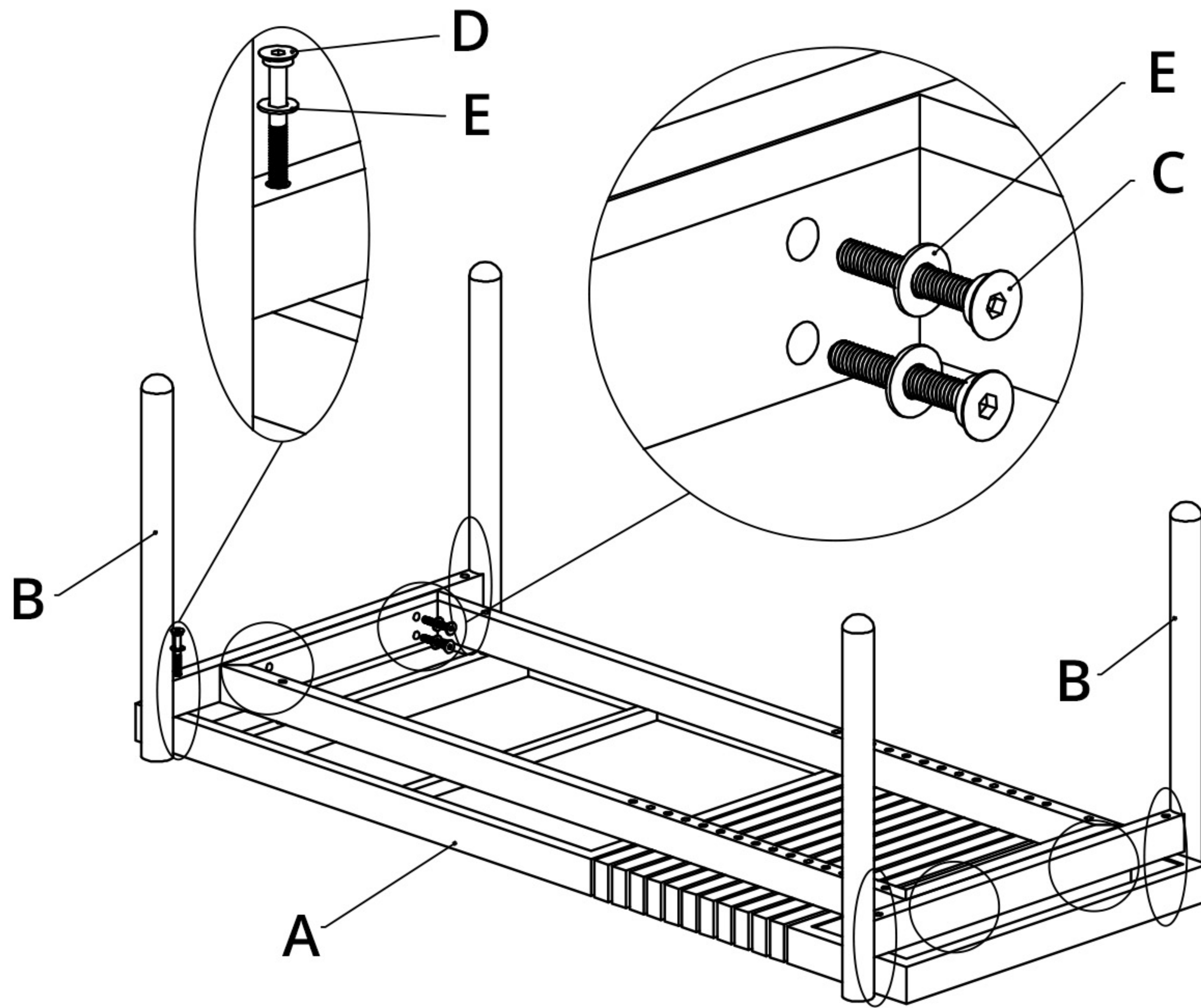


1 PERSON  
ASSEMBLY



UP TO 5 MIN.  
ASSEMBLY

# ASSEMBLY



**1** Attach the Support Legs[B] to the Table Top[A] using Bolt M6\*35MM[C] & Washer[E] and Bolt M6\*55MM[D] & Washer[E].

**A** x1   **B** x2  
**C** x8   **D** x4   **E** x12

**QUESTION ABOUT OUR PRODUCT? WE'RE HERE TO HELP.**

Contact us at: [service@sundaleoutdoor.com](mailto:service@sundaleoutdoor.com)