

ASSEMBLY INSTRUCTIONS
COASTER FINE FURNITURE



Fine Furniture for every stage of life

222661KE(B1-B4)
Eastern King Bed

ITEM: 222661KE(B1-B4)



ASSEMBLY INSTRUCTIONS

ASSEMBLY TIPS :

1. Remove hardware from box and sort by size.
2. Please check to see that all hardware and parts are present prior to start of assembly.
3. Please follow attached instructions in the same sequence as numbered to assure fast & easy assembly.



WARNING !

1. Don't attempt to repair or modify parts that are broken or defective. Please contact the store immediately.
2. This product is for home use only and not intended for commercial establishments.



ASSEMBLY TIME

35 MINUTES

PARTS IDENTIFICATION

B1 (BOX 1)

A HEADBOARD PANEL



1PC

B HEADBOARD SUPPORT



2PCS

C ADAPTER



1PC

B2 (BOX 2)

D LEFT WING



1PC

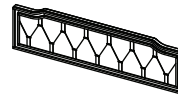
E RIGHT WING



1PC

B3 (BOX 3)

F FOOTBOARD PANEL



1PC

B4 (BOX 4)

G FOOTBOARD LEG



2PCS

H BED SLAT



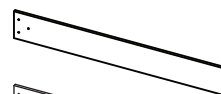
5PCS

I BED SLAT SUPPORT WITH LEVELER



10PCS

J LEFT BED RAIL



1PC

K RIGHT BED RAIL



1PC

NOTE:

Phillips head screw driver is required in the assembly process; however, manufacturer does not provide this item.

ITEM: 222661KE(B1-B4)



ASSEMBLY INSTRUCTIONS

ASSEMBLY TIPS :

1. Remove hardware from box and sort by size.
2. Please check to see that all hardware and parts are present prior to start of assembly.
3. Please follow attached instructions in the same sequence as numbered to assure fast & easy assembly.





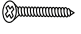




WARNING !

1. Don't attempt to repair or modify parts that are broken or defective. Please contact the store immediately.
2. This product is for home use only and not intended for commercial establishments.

HARDWARE IDENTIFICATION

Z-B4 (BOX 4) - HARDWARE PACK IS LOCATED IN 222661KE(B4)

1	ALLEN WRENCH (Φ4 X 95mm- ZINC)		1PC
2	SHORT BOLT (Φ6 X 30mm - RBW)		4PCS
3	MEDIUM BOLT (Φ6 X 45mm - RBW)		22PCS
4	LONG BOLT (Φ6 X 60mm - RBW)		6PCS
5	FLAT HEAD SCREW (Φ4 X 32mm - RBW)		10PCS
6	LOCK WASHER (Φ6 - RBW)		22PCS
7	FLAT WASHER (Φ7 X 19mm X 2.0 - RBW)		22PCS

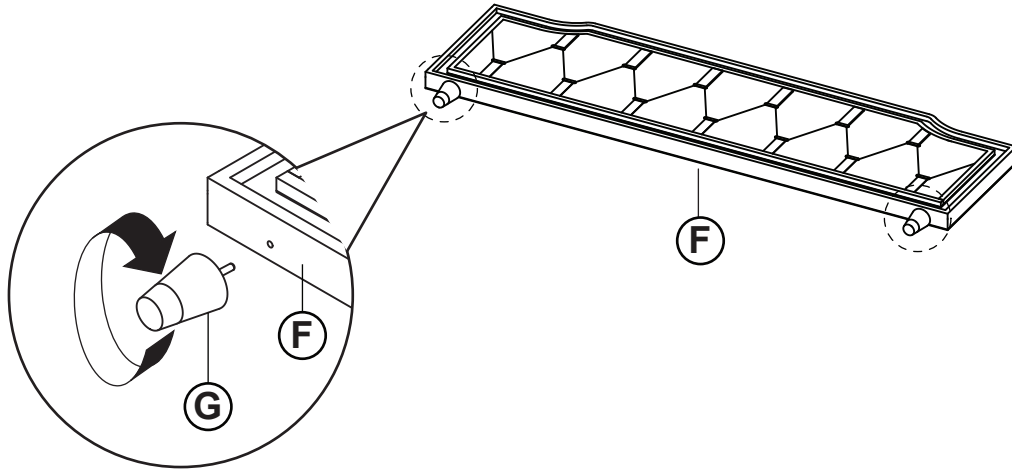
NOTE:

Phillips head screw driver is required in the assembly process; however, manufacturer does not provide this item.

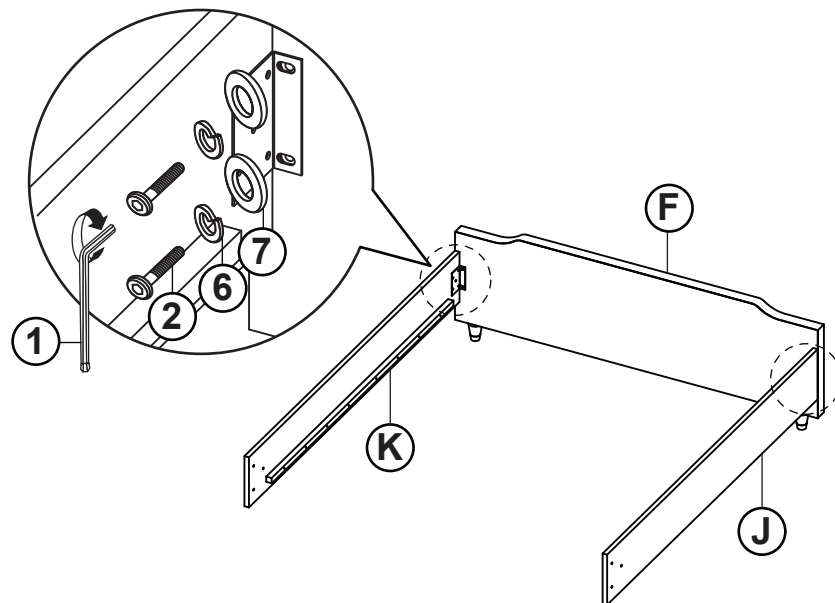
ITEM: 222661KE(B1-B4)

ASSEMBLY INSTRUCTIONS

STEP 1

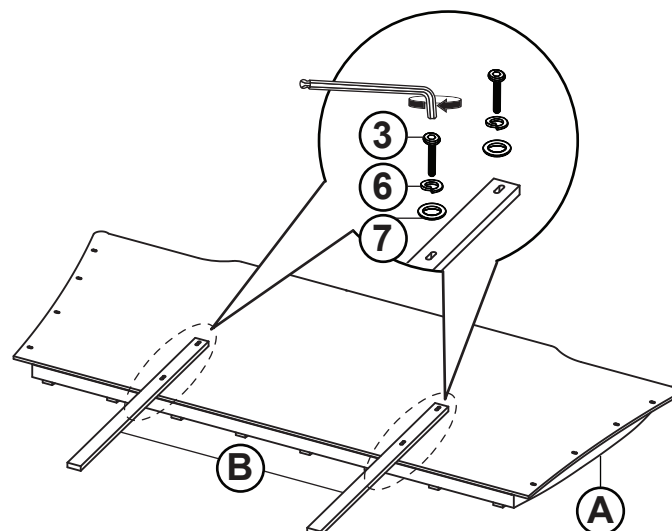


STEP 2



STEP 3

Hand tighten all the bolts



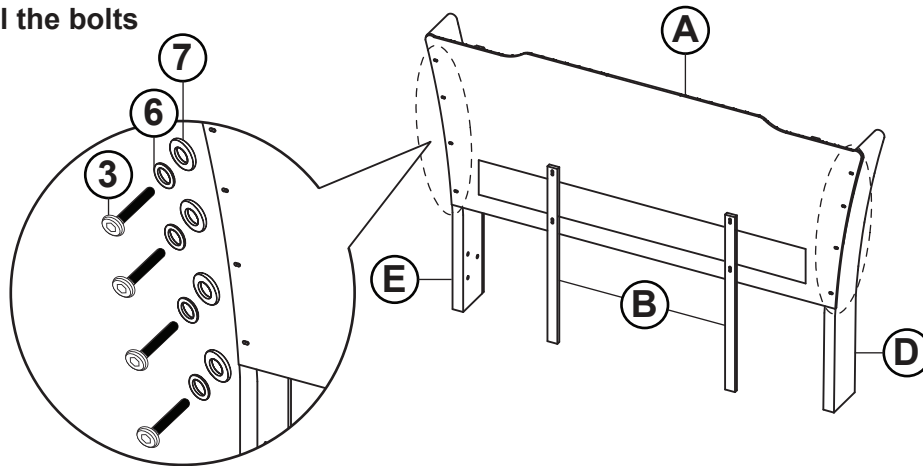
ITEM: **222661KE(B1-B4)**



ASSEMBLY INSTRUCTIONS

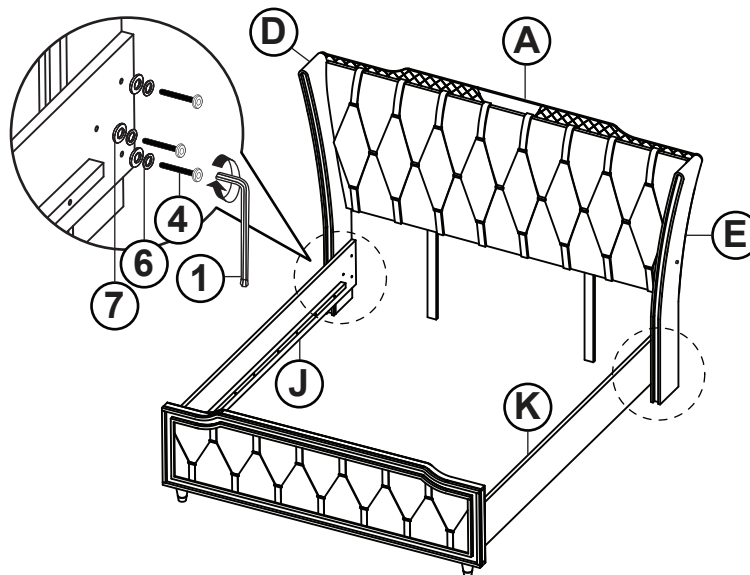
STEP 4

Hand tighten all the bolts

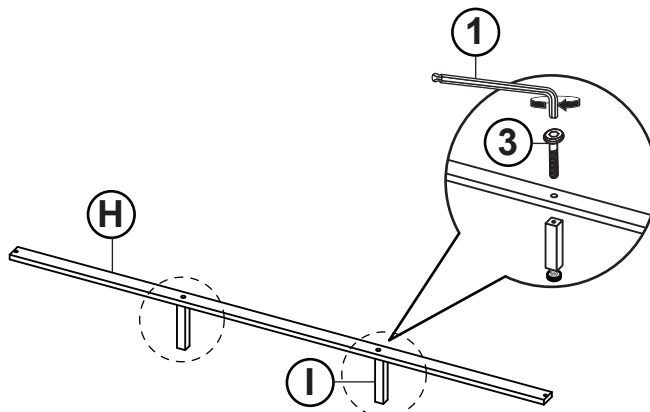


STEP 5

Fully tighten all the bolts using Allen Wrench (1) at Step 3, 4 & 5



STEP 6

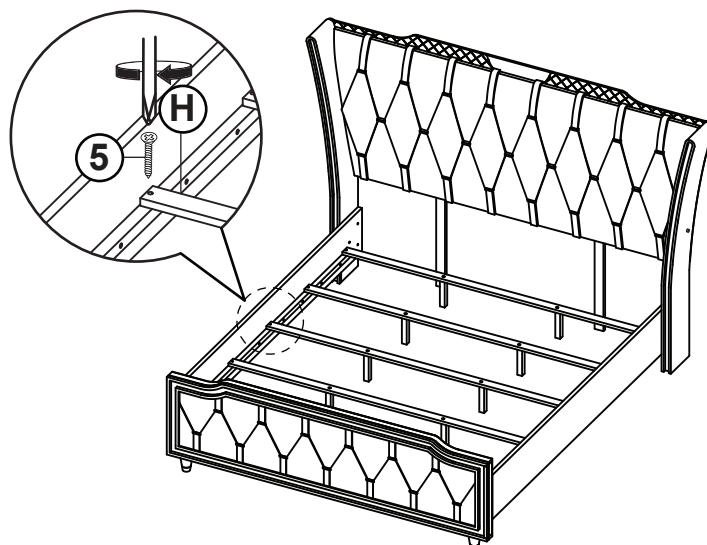


ITEM: **222661KE(B1-B4)**

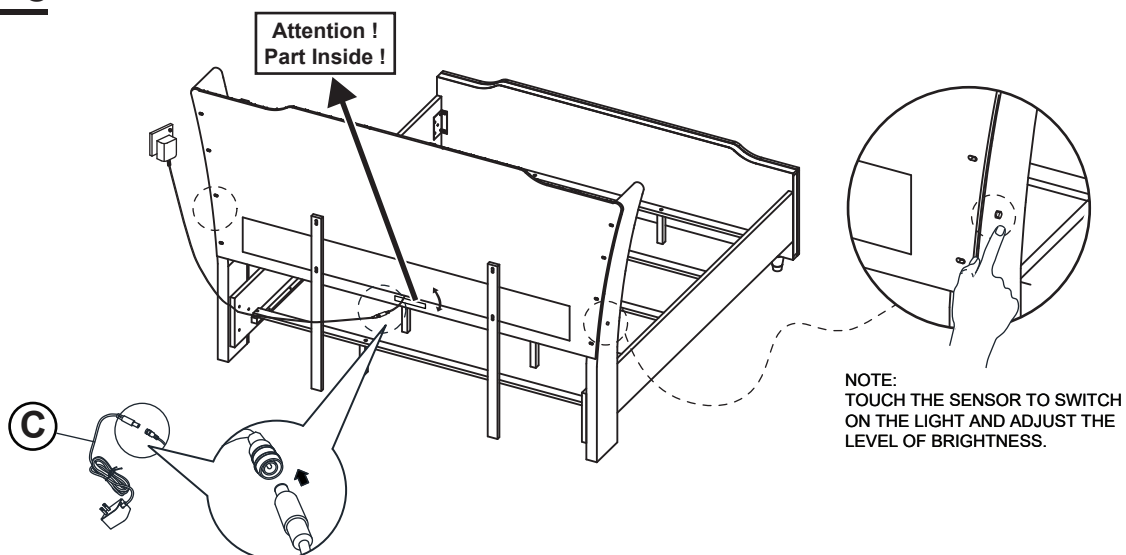


ASSEMBLY INSTRUCTIONS

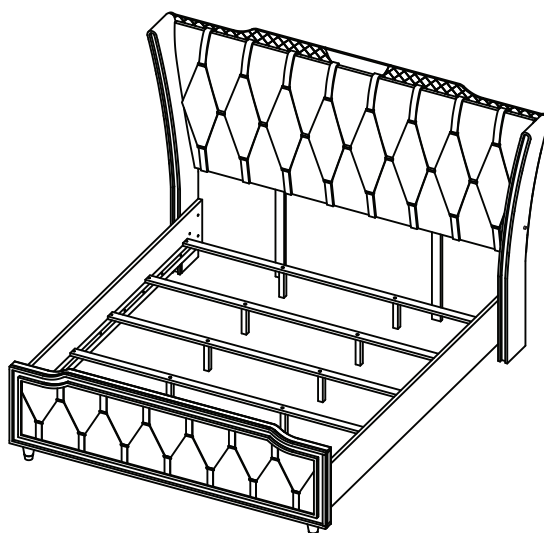
STEP 7



STEP 8



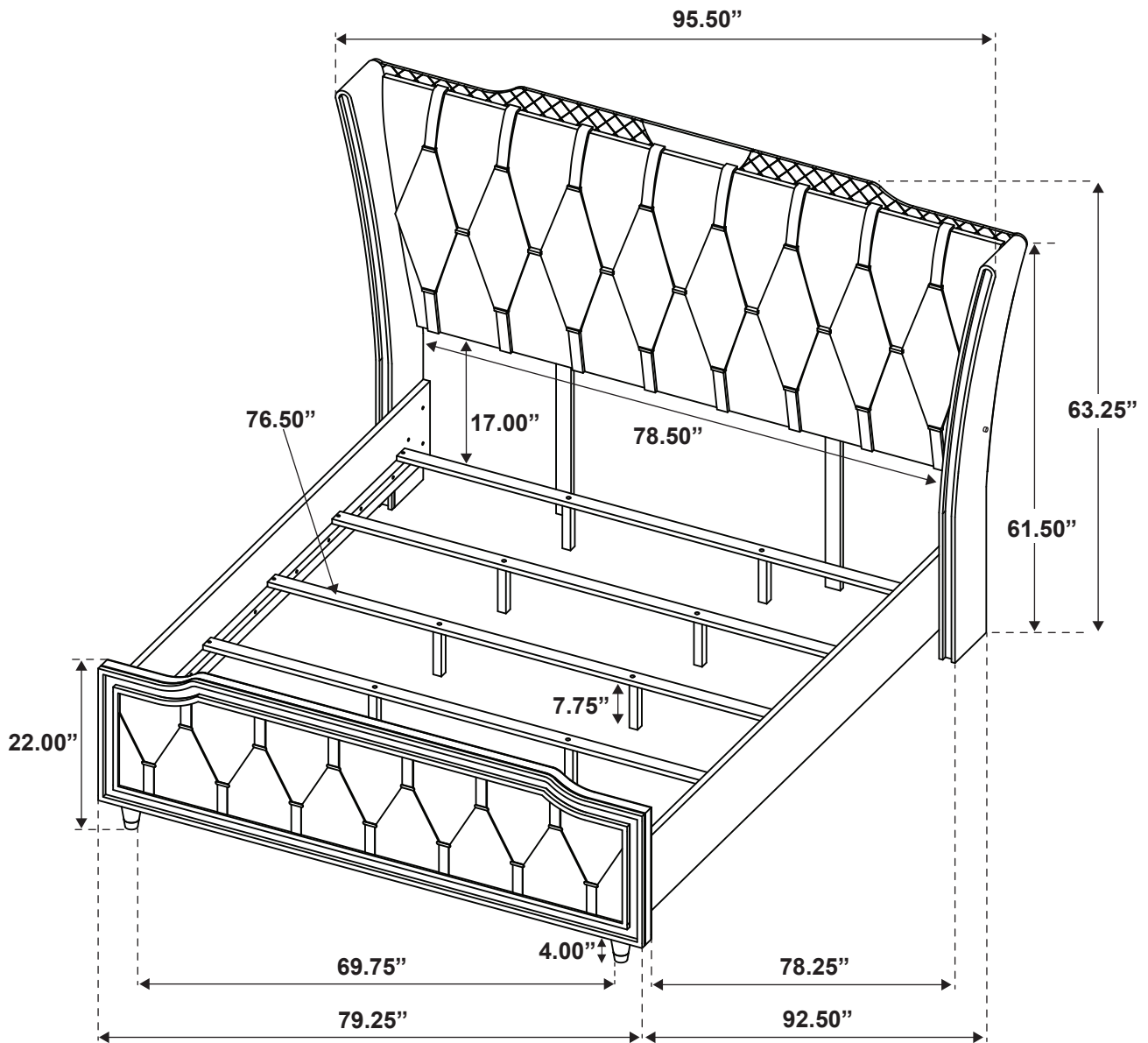
STEP 9
COMPLETE



ITEM: 222661KE(B1-B4)



Inner Size : 77.00"W x 80.75"D



Note: Dimension tolerance $\pm 5\%$

ASSEMBLY INSTRUCTIONS
COASTER FINE FURNITURE



Fine Furniture for every stage of life

222662
Nightstand

ITEM: **222662**



ASSEMBLY INSTRUCTIONS

ASSEMBLY TIPS:

1. Remove hardware from box and sort by size.
2. Please check to see that all hardware and parts are present prior to start of assembly.
3. Please follow attached instructions in the same sequence as numbered to assure fast & easy assembly.



WARNING!

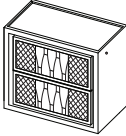




1. Don't attempt to repair or modify parts that are broken or defective. Please contact the store immediately.
2. This product is for home use only and not intended for commercial establishments.



ASSEMBLY TIME

15 MINUTES

PARTS IDENTIFICATION

A	NIGHTSTAND		1PC
B	LEG		4PCS
C	GLASS TOP		1PC
D	LED ADAPTER		1PC
E	USB ADAPTER		1PC

NOTE:

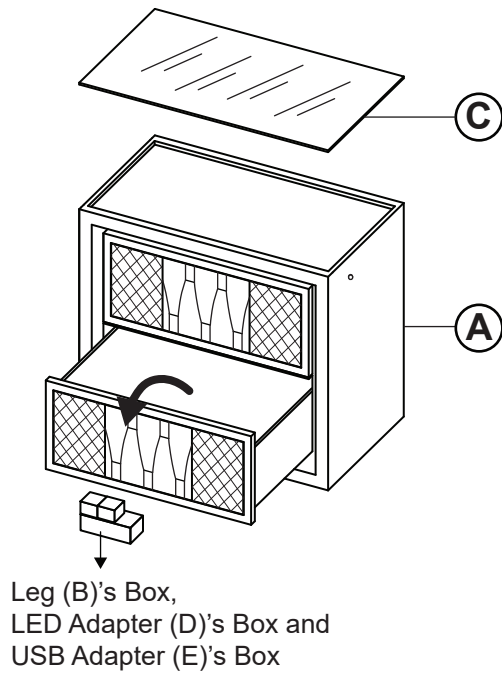
Phillips head screw driver is required in the assembly process; however, manufacturer does not provide this item.

ITEM: **222662**

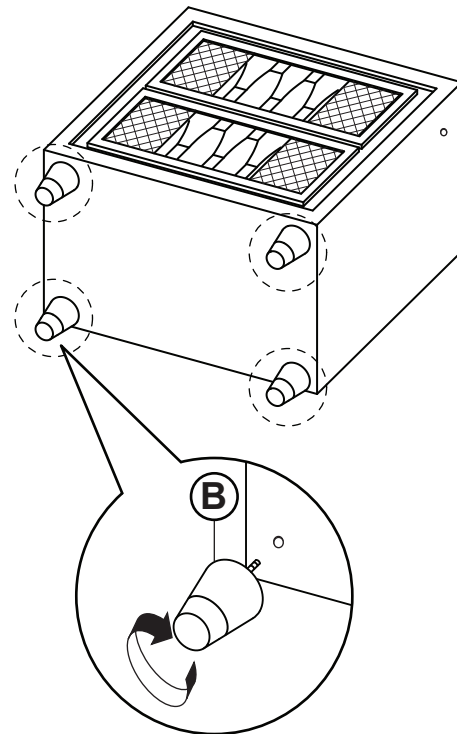
ASSEMBLY INSTRUCTIONS

STEP 1

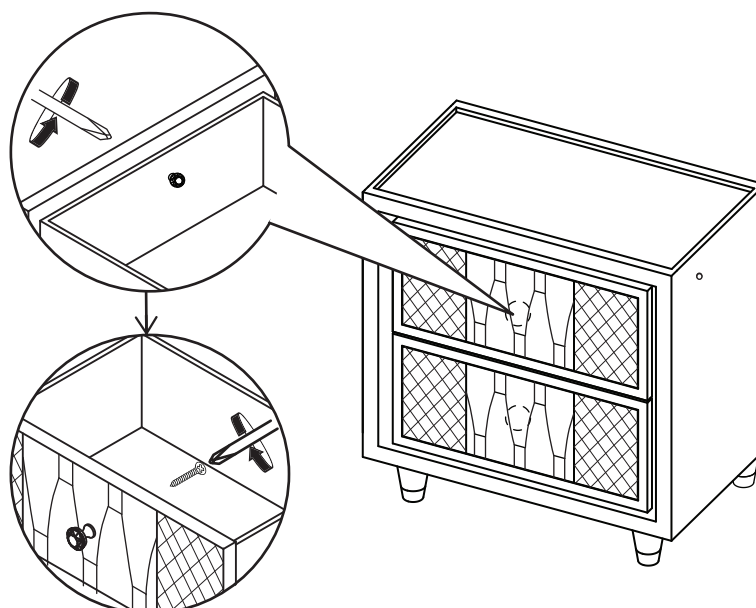
Lift the Glass-Top (C) gently and carefully place it at safe area before assembly begin.



STEP 2



STEP 3



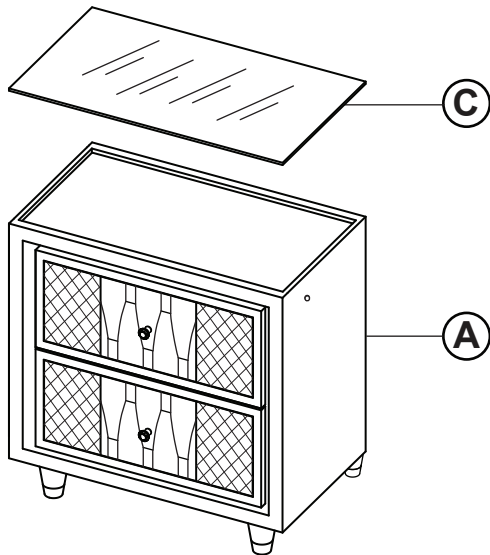
ITEM: **222662**



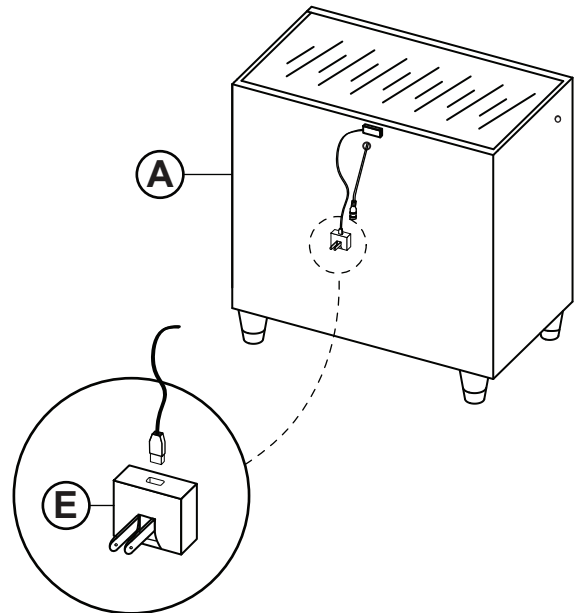
ASSEMBLY INSTRUCTIONS

STEP 4

Place the Glass-Top (C)
to the Top Surface of Nightstand (A).

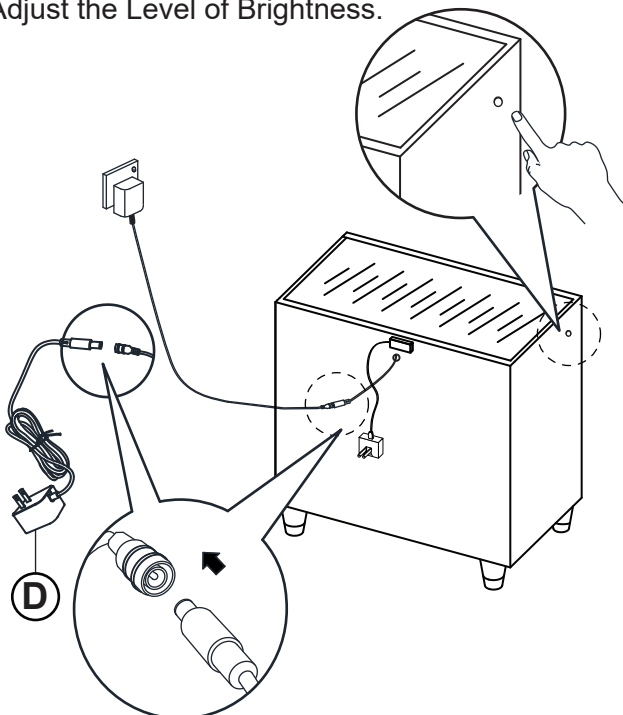


STEP 5

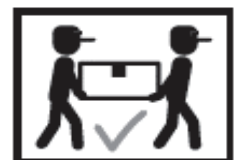
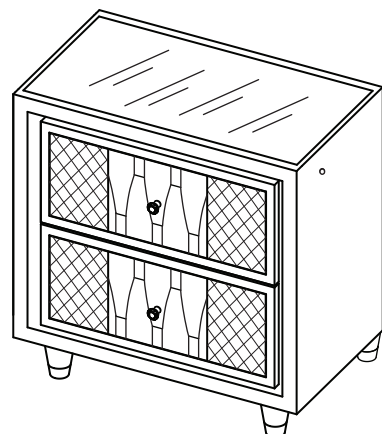


STEP 6

NOTE:
Touch the Sensor to
Switch on the Light and
Adjust the Level of Brightness.



STEP 7 **COMPLETE**



ANTI-TIPPING INSTALLMENT INSTRUCTIONS

FURNITURE TIPPING RESTRAINT

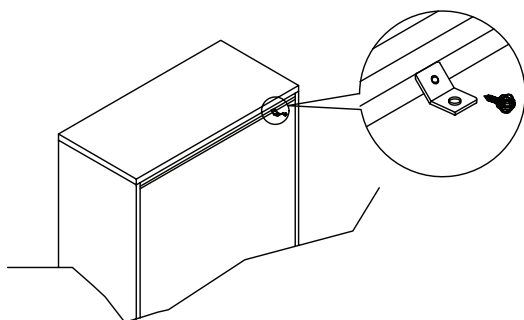
WARNING

Injury may result from tipping furniture.
 This restraint may protect against tipping furniture.
 Do not allow children to climb on furniture.
 This restraint is not a substitute for proper adult supervision.
 Failure to detach this restraint before moving the furniture may result in injury and damage.

This restraint must be screwed to a wood stud on the wall, using the long screw provided.

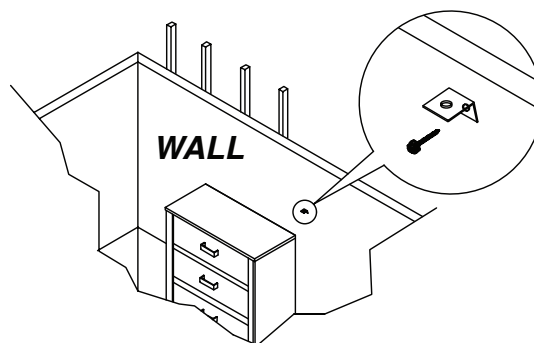
STEP 1

Secure the bracket to the back top of the unit, using the short screw provided, as shown in the drawing.



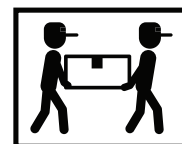
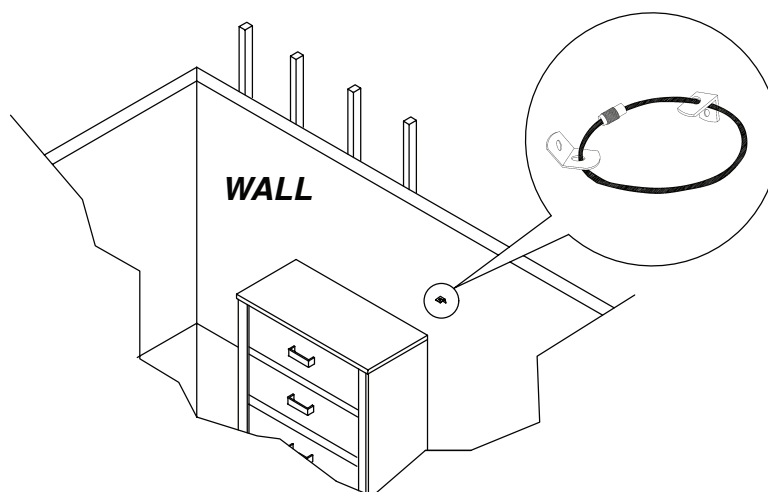
STEP 2

Locate the wood stud on the wall and secure the other bracket 2 inches below the back of the unit, using the long screw.



STEP 3

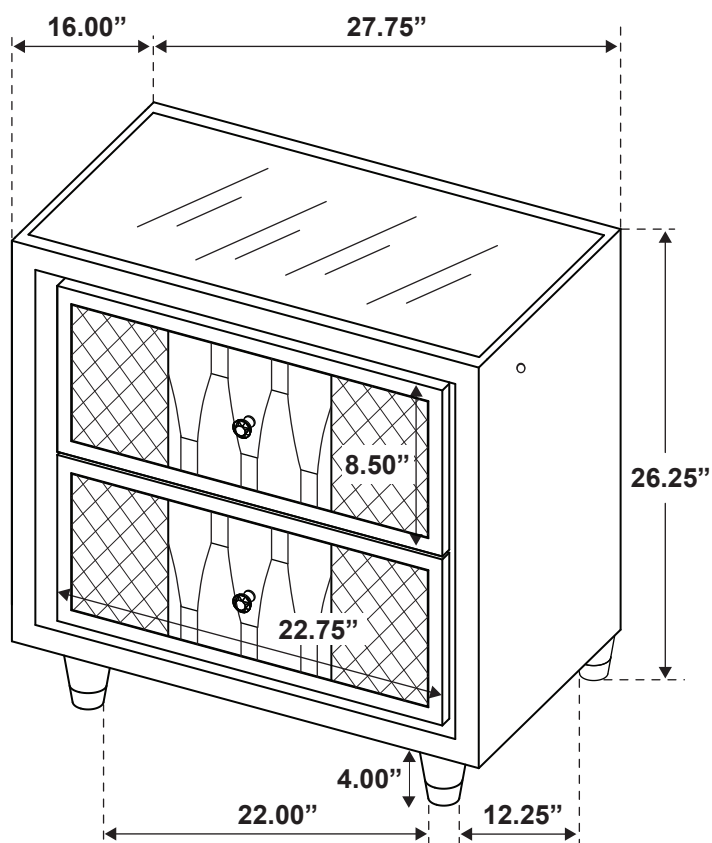
Place the furniture into position so both mounting brackets are vertically in line. Lace the threaded end of the restraint strap through the hole in each mounting bracket. Bring both ends together and rotate the thumb nut onto the threaded end until tight. Ensure that the restraint strap is securely laced and locked.



ITEM: **222662**



Inner Size of Drawer : 21.50"W x 12.50"D x 5.25"H x 0.25"T



Note: Dimension tolerance $\pm 5\%$

ASSEMBLY INSTRUCTIONS
COASTER FINE FURNITURE



Fine Furniture for every stage of life

222663FB
Dresser

ITEM: **222663FB**



ASSEMBLY INSTRUCTIONS

ASSEMBLY TIPS:

1. Remove hardware from box and sort by size.
2. Please check to see that all hardware and parts are present prior to start of assembly.
3. Please follow attached instructions in the same sequence as numbered to assure fast & easy assembly.



WARNING!

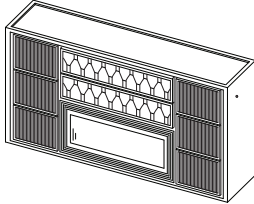

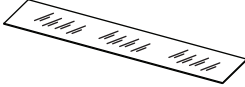



1. Don't attempt to repair or modify parts that are broken or defective. Please contact the store immediately.
2. This product is for home use only and not intended for commercial establishments.



ASSEMBLY TIME

15 MINUTES

PARTS IDENTIFICATION

A	DRESSER		1PC
B	LEG		4PCS
C	GLASS TOP		1PC
D	CENTER LEG SUPPORT WITH LEVELER		1PC
E	LED ADAPTER		1PC
F	REMOTE CONTROL		1PC

NOTE:

Phillips head screw driver is required in the assembly process; however, manufacturer does not provide this item.

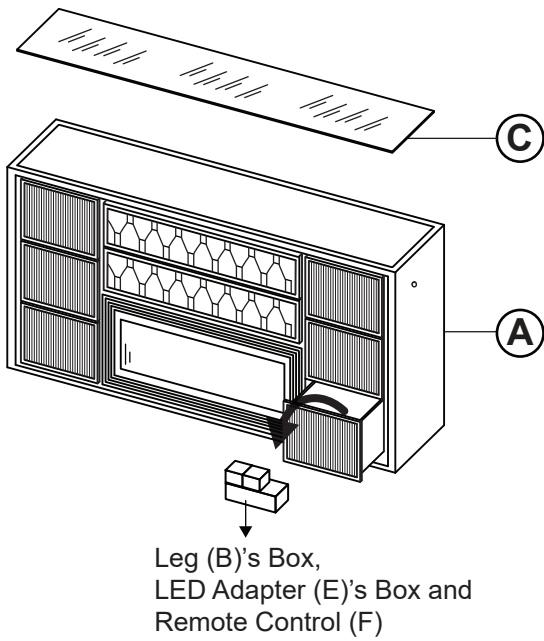
ITEM: **222663FB**



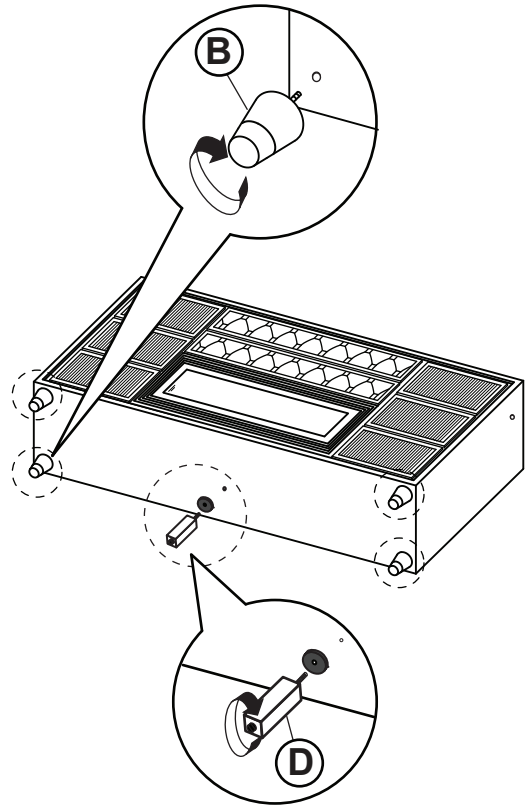
ASSEMBLY INSTRUCTIONS

STEP 1

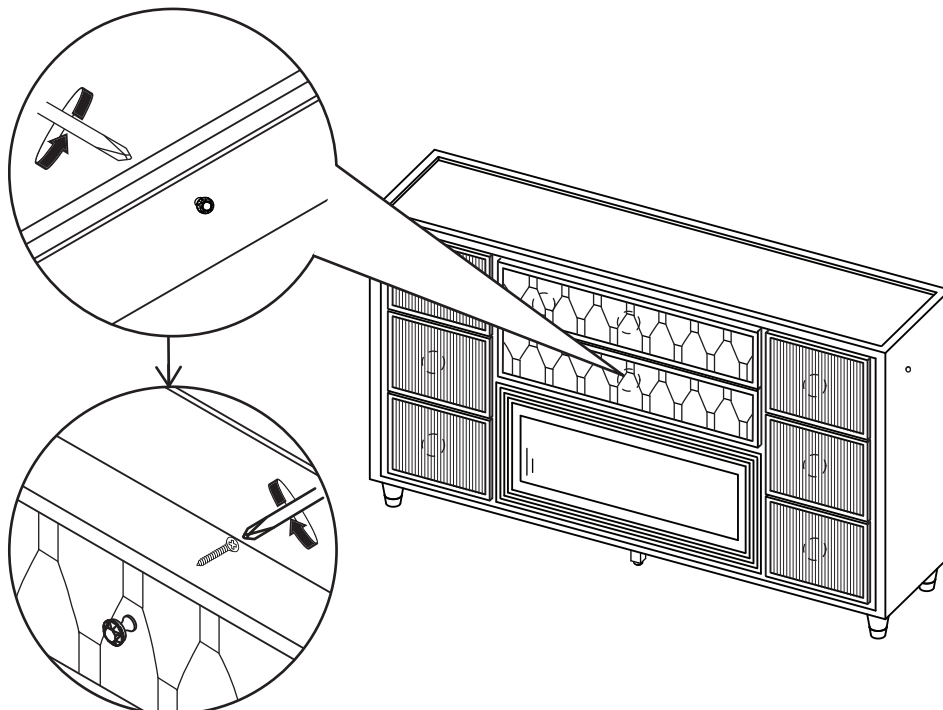
Lift the Glass-Top (C) gently and carefully place it at safe area before assembly begin.



STEP 2



STEP 3



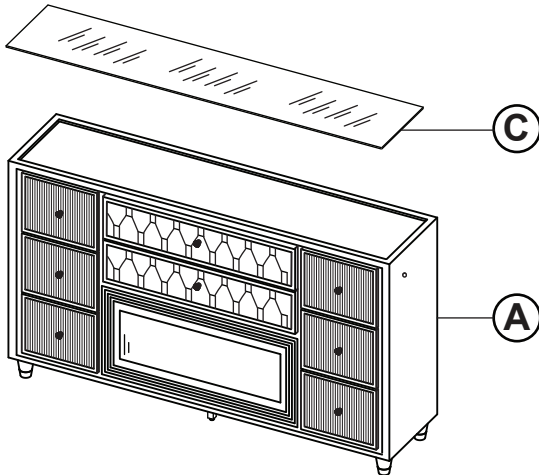
ITEM: **222663FB**



ASSEMBLY INSTRUCTIONS

STEP 4

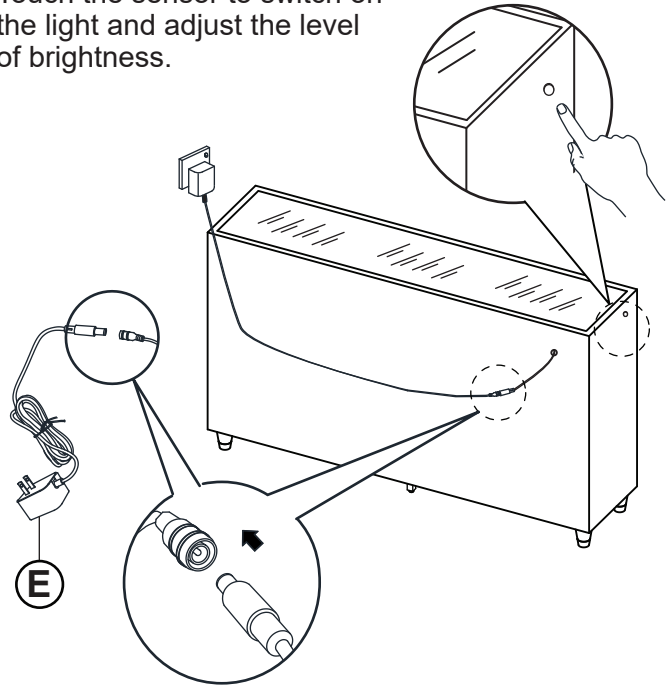
Place the Glass Top (C) to the top surface of Dresser (A).



STEP 5

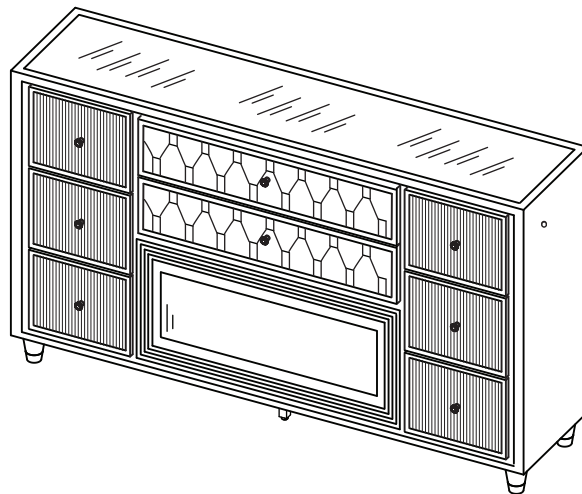
NOTE:

Touch the sensor to switch on the light and adjust the level of brightness.



STEP 6

COMPLETE



ANTI-TIPPING INSTALLMENT INSTRUCTIONS

FURNITURE TIPPING RESTRAINT

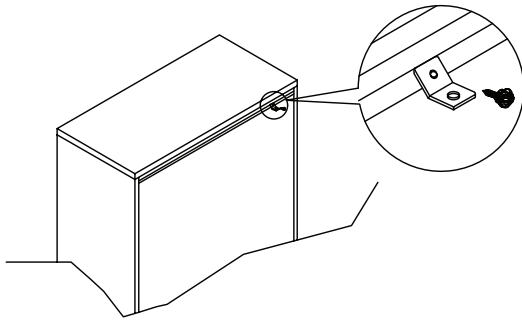
WARNING

Injury may result from tipping furniture.
 This restraint may protect against tipping furniture.
 Do not allow children to climb on furniture.
 This restraint is not a substitute for proper adult supervision.
 Failure to detach this restraint before moving the furniture may result in injury and damage.

This restraint must be screwed to a wood stud on the wall, using the long screw provided.

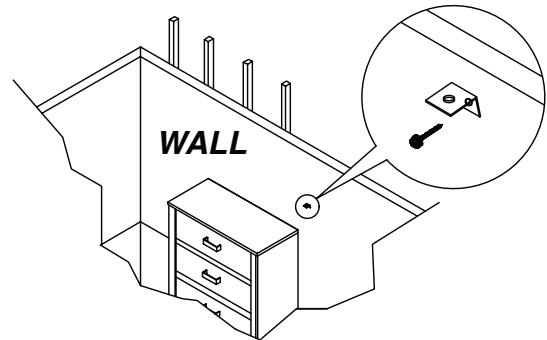
STEP 1

Secure the bracket to the back top of the unit, using the short screw provided, as shown in the drawing.



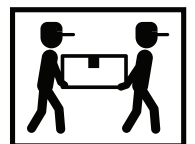
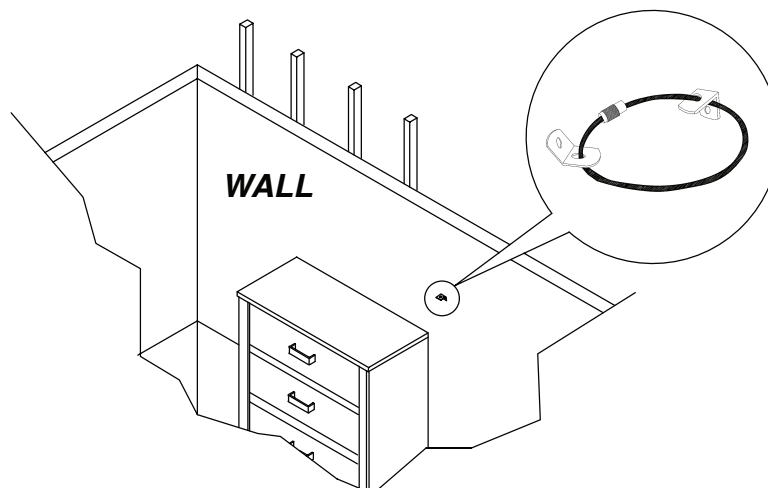
STEP 2

Locate the wood stud on the wall and secure the other bracket 2 inches below the back of the unit, using the long screw.



STEP 3

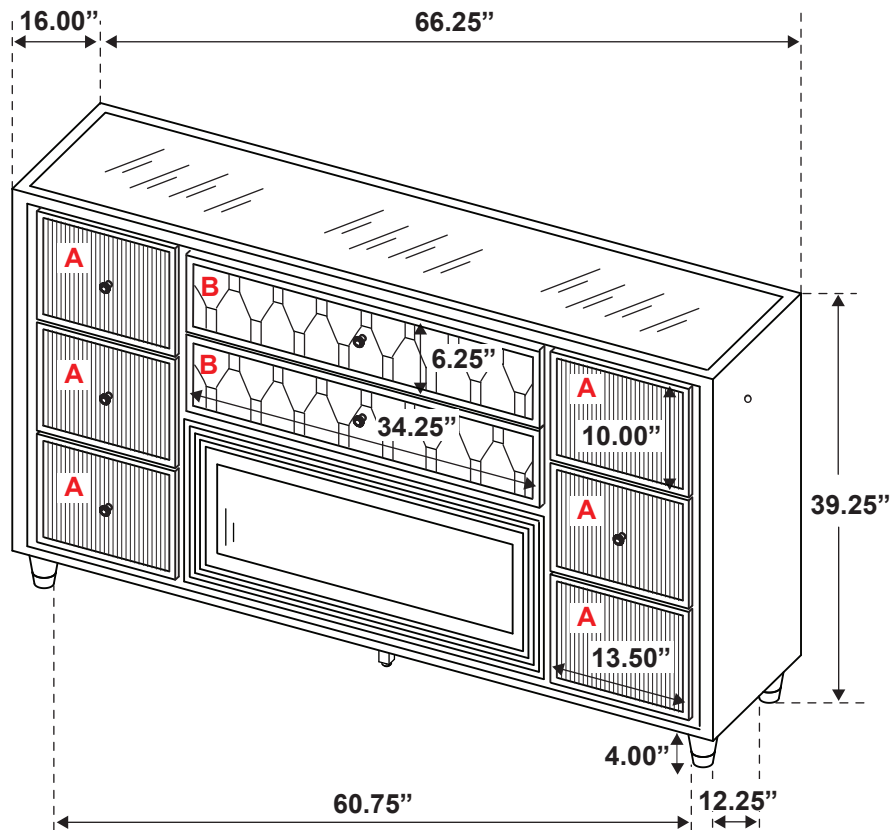
Place the furniture into position so both mounting brackets are vertically in line. Lace the threaded end of the restraint strap through the hole in each mounting bracket. Bring both ends together and rotate the thumb nut onto the threaded end until tight. Ensure that the restraint strap is securely laced and locked.



ITEM: **222663FB**



Inner Size of Drawer A: 11.75"W x 12.50"D x 5.25"H x 0.25"T
Inner Size of Drawer B: 31.75"W x 12.50"D x 4.25"H x 0.25"T



Note: Dimension tolerance $\pm 5\%$

ASSEMBLY INSTRUCTIONS
COASTER FINE FURNITURE



Fine Furniture for every stage of life

222664
Mirror

ITEM: **222664**



ASSEMBLY INSTRUCTIONS

ASSEMBLY TIPS:

1. Remove hardware from box and sort by size.
2. Please check to see that all hardware and parts are present prior to start of assembly.
3. Please follow attached instructions in the same sequence as numbered to assure fast & easy assembly.



WARNING!

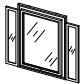



1. Don't attempt to repair or modify parts that are broken or defective. Please contact the store immediately.
2. This product is for home use only and not intended for commercial establishments.




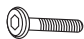





ASSEMBLY TIME

15 MINUTES

PARTS IDENTIFICATION

A	MIRROR		1PC
B	MIRROR SUPPORT (PACKED WITH MIRROR)		2PCS
C	DRESSER *FROM BOX ITEM #222663FB or DRESSER *FROM BOX ITEM #222663		1PC
D	LED ADAPTER		1PC

HARDWARE IDENTIFICATION

1	ALLEN WRENCH (Φ4 X 95mm- ZINC)		1PC
2	SHORT BOLT (Φ6 X 20mm - RBW)		14PCS
3	LONG BOLT (Φ6 X 35mm - RBW)		8PCS
4	PAN HEAD SCREW (Φ4 X 25mm - RBW)		2PCS
5	LOCK WASHER (Φ6 - RBW)		22PCS
6	FLAT WASHER (Φ7 X 19mm X 2.0 - RBW)		24PCS
7	BRACKET (Φ6 X 76mm - BLK)		8PCS

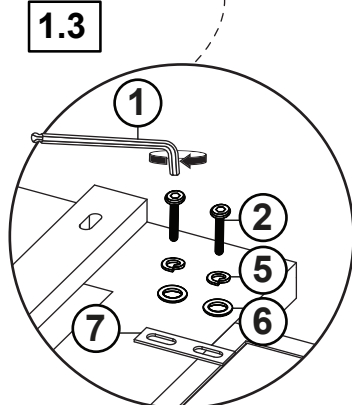
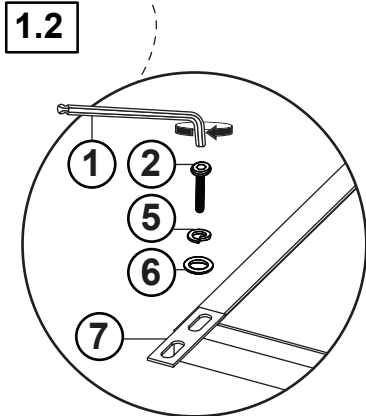
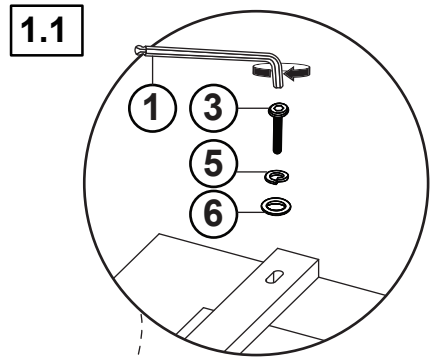
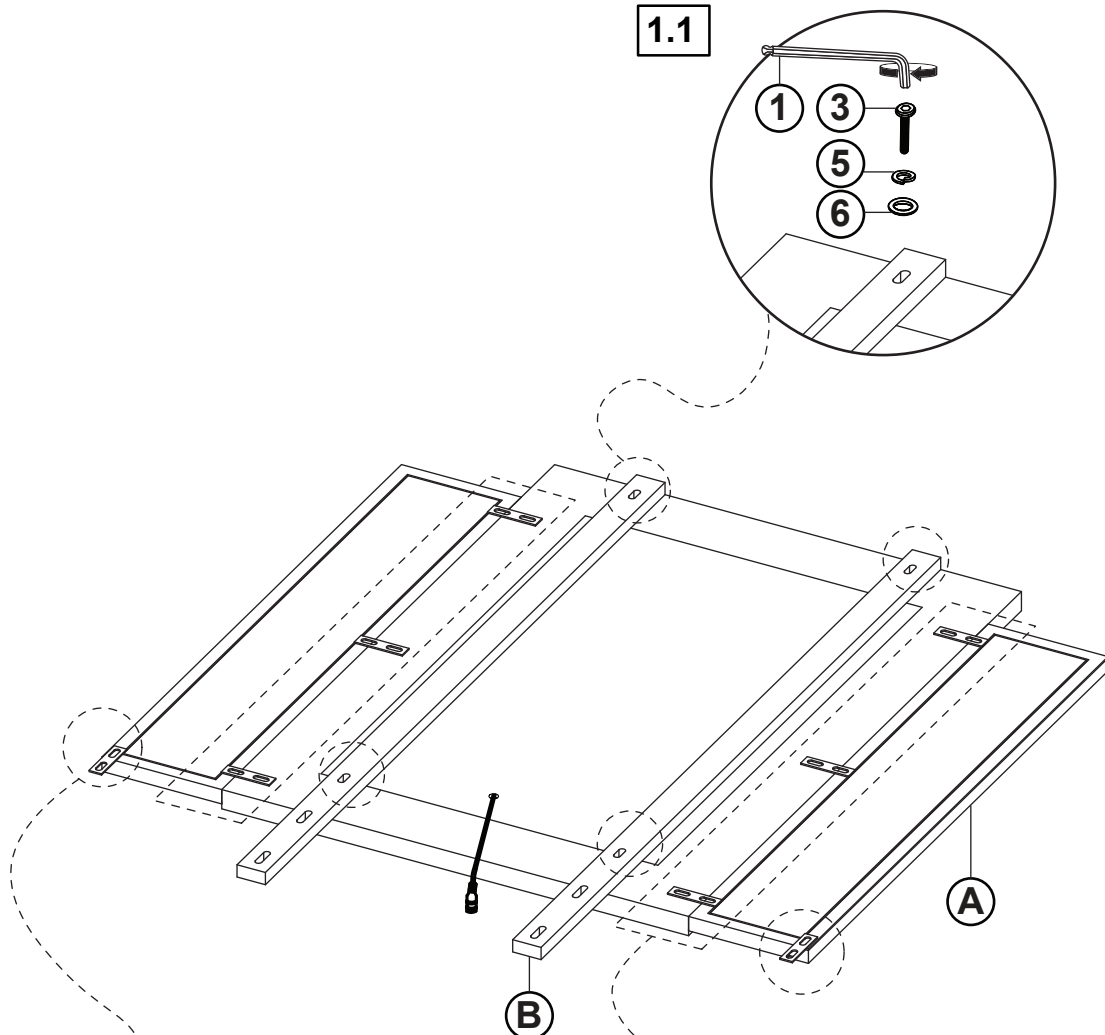
NOTE:

Phillips head screw driver is required in the assembly process; however, manufacturer does not provide this item.

ITEM: 222664

ASSEMBLY INSTRUCTIONS

STEP 1

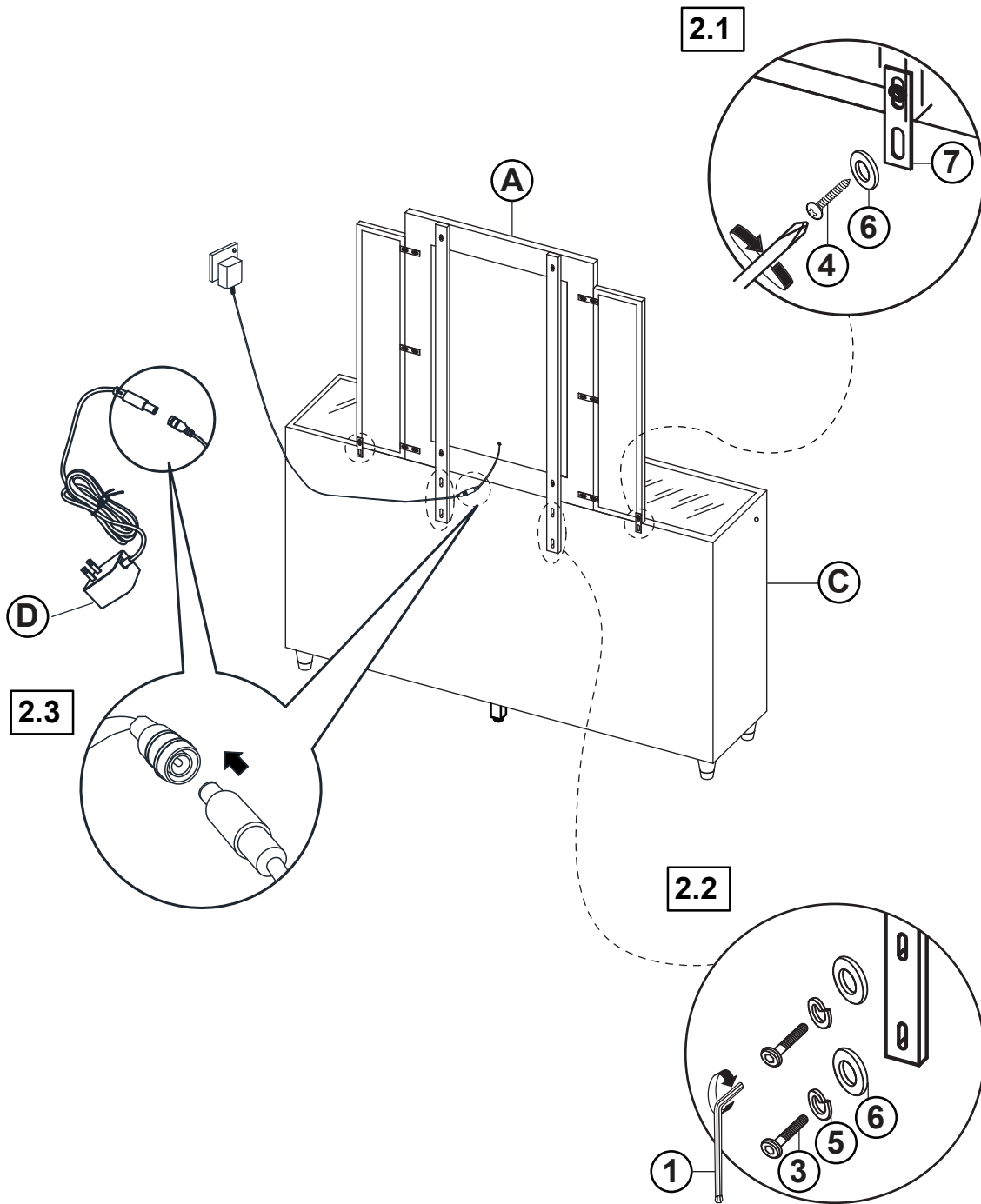


*Back View

ITEM: **222664**

ASSEMBLY INSTRUCTIONS

STEP 2

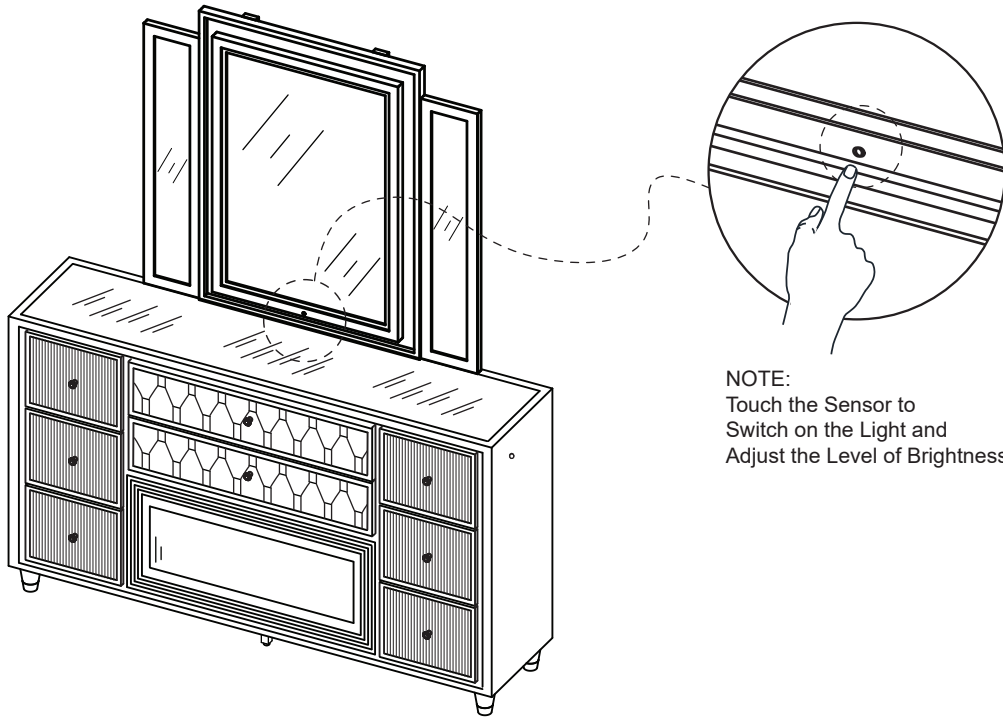


ITEM: **222664**



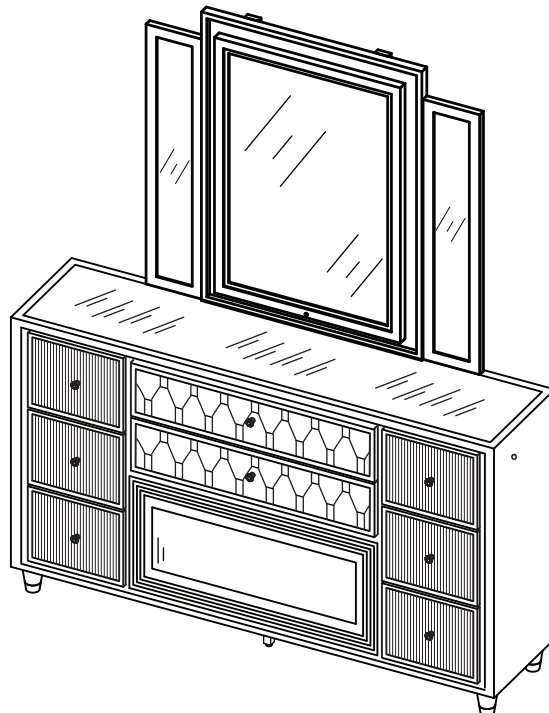
ASSEMBLY INSTRUCTIONS

STEP 3

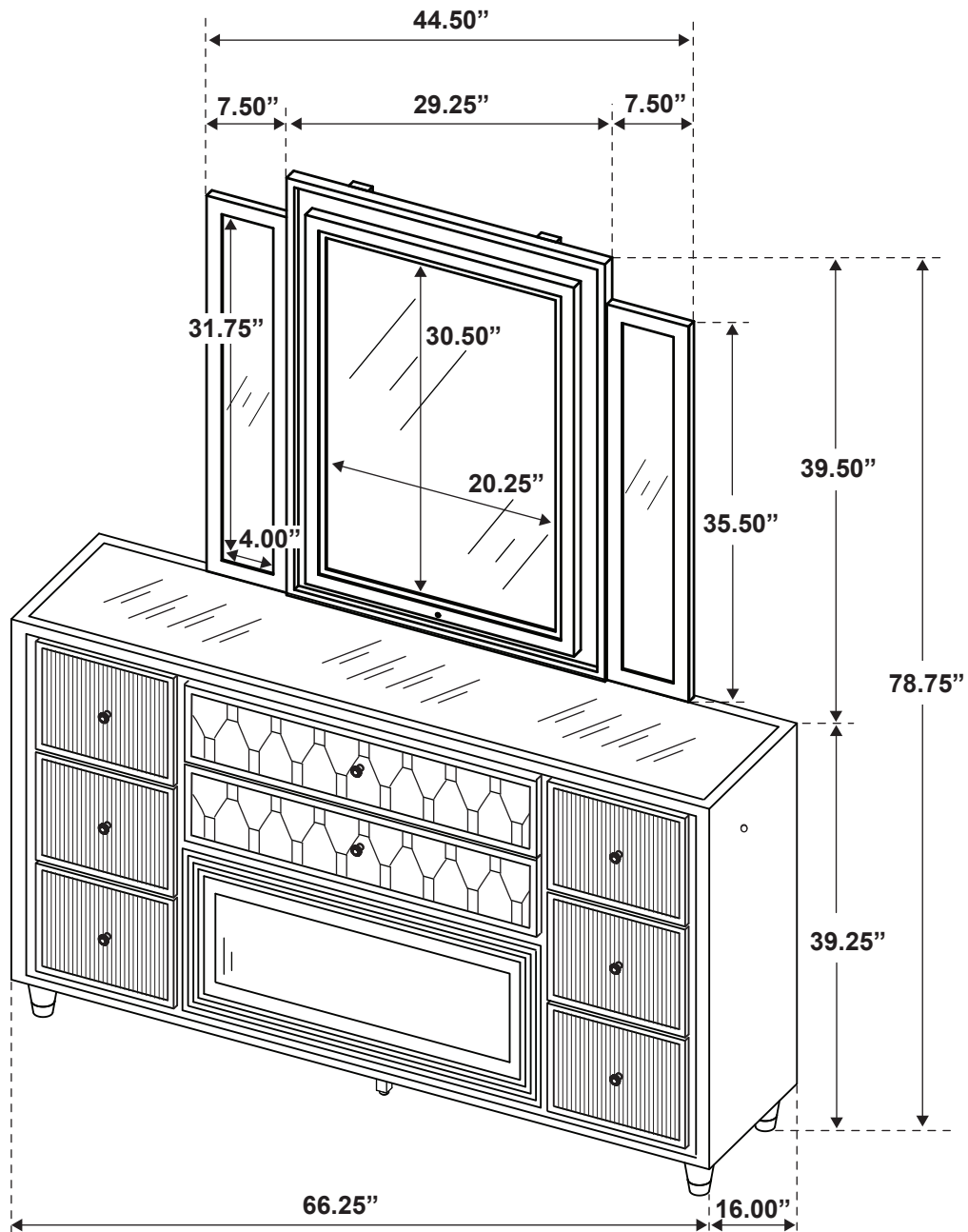


NOTE:
Touch the Sensor to
Switch on the Light and
Adjust the Level of Brightness.

STEP 4
COMPLETE



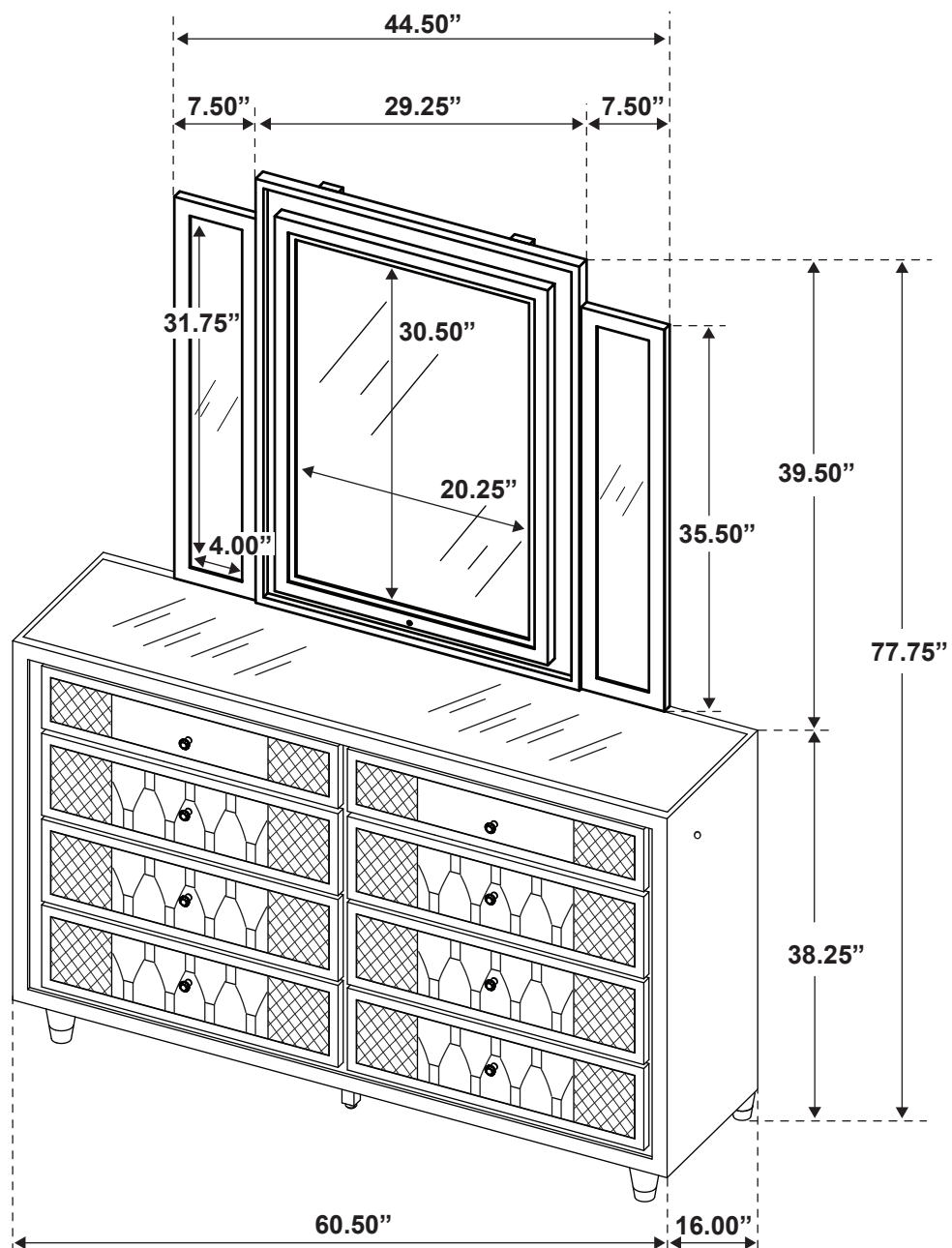
ITEM: 222664



Note: Dimension tolerance $\pm 5\%$

ITEM: 222664

COASTER
FINE FURNITURE



Note: Dimension tolerance $\pm 5\%$

ASSEMBLY INSTRUCTIONS
COASTER FINE FURNITURE



Fine Furniture for every stage of life

222665
Chest

ITEM: **222665**



ASSEMBLY INSTRUCTIONS

ASSEMBLY TIPS:

1. Remove hardware from box and sort by size.
2. Please check to see that all hardware and parts are present prior to start of assembly.
3. Please follow attached instructions in the same sequence as numbered to assure fast & easy assembly.



WARNING!

1. Don't attempt to repair or modify parts that are broken or defective. Please contact the store immediately.
2. This product is for home use only and not intended for commercial establishments.

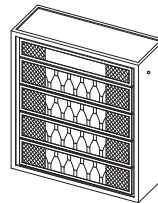


ASSEMBLY TIME

15 MINUTES

PARTS IDENTIFICATION

A CHEST



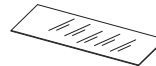
1PC

B LEG



4PCS

C GLASS TOP



1PC

D LED ADAPTER



1PC

NOTE:

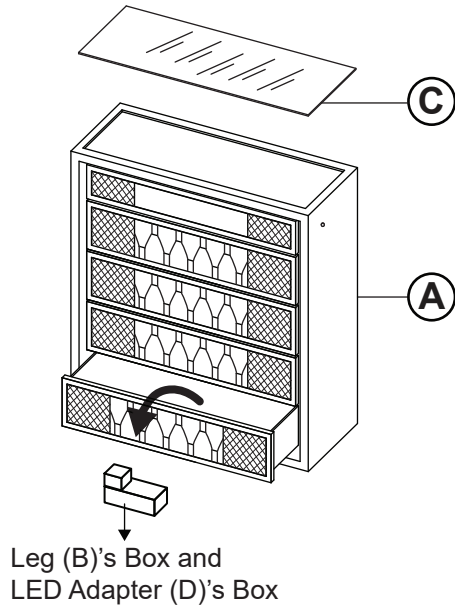
Phillips head screw driver is required in the assembly process; however, manufacturer does not provide this item.

ITEM: **222665**

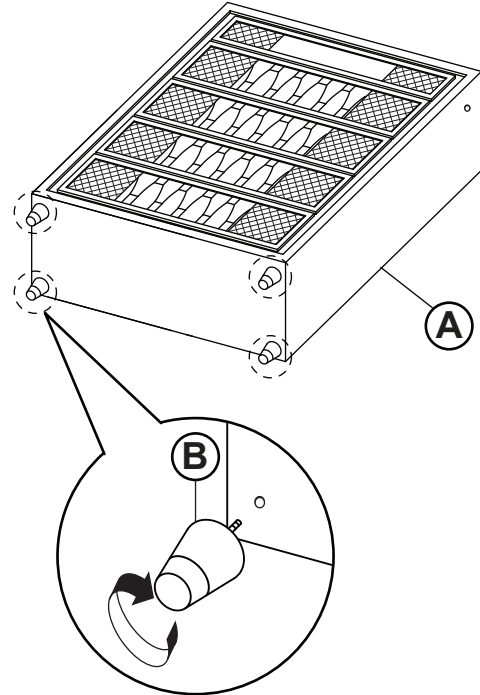
ASSEMBLY INSTRUCTIONS

STEP 1

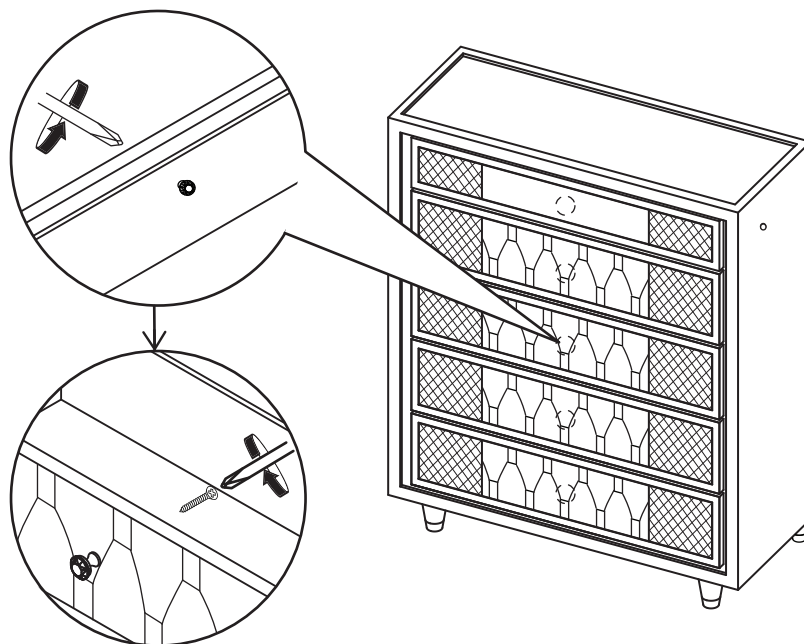
Lift the Glass Top (C) gently and carefully place it at safe area before assembly begin.



STEP 2



STEP 3



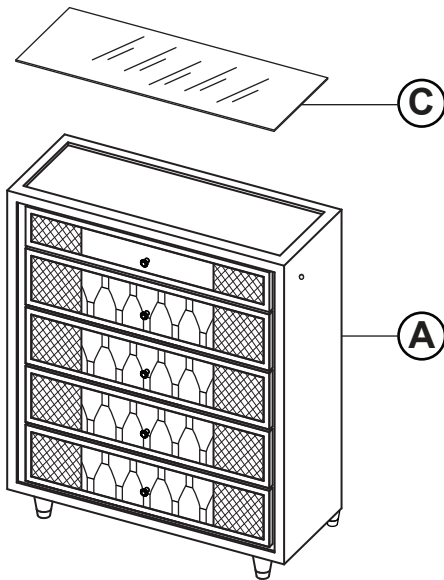
ITEM: **222665**



ASSEMBLY INSTRUCTIONS

STEP 4

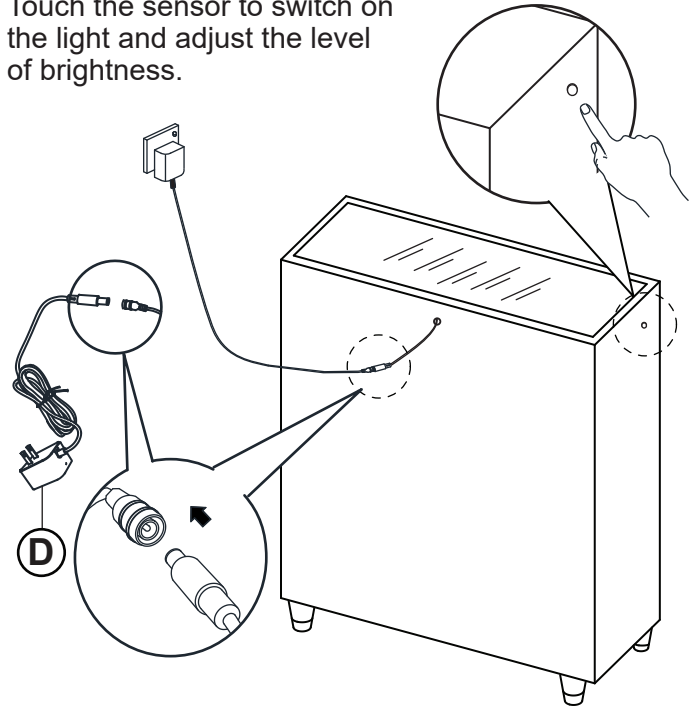
Place the Glass Top (C) to the top surface of Dresser (A).



STEP 5

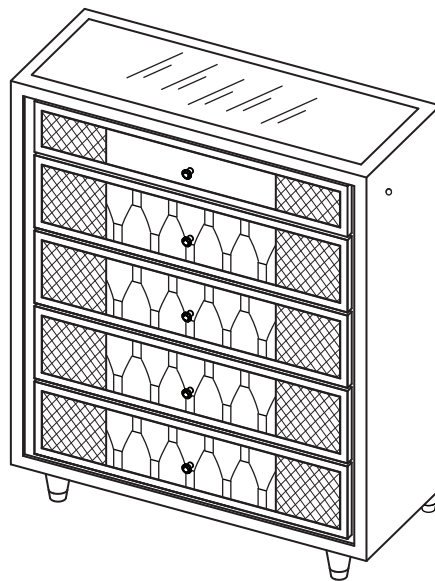
NOTE:

Touch the sensor to switch on the light and adjust the level of brightness.



STEP 6

COMPLETE



ANTI-TIPPING INSTALLMENT INSTRUCTIONS

FURNITURE TIPPING RESTRAINT

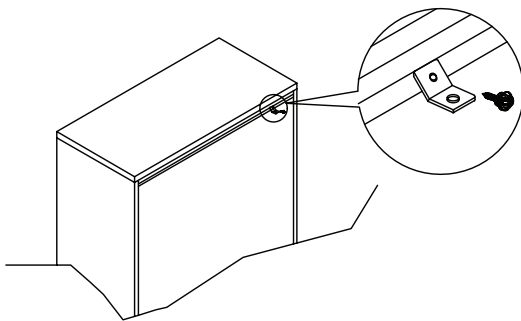
WARNING

Injury may result from tipping furniture.
 This restraint may protect against tipping furniture.
 Do not allow children to climb on furniture.
 This restraint is not a substitute for proper adult supervision.
 Failure to detach this restraint before moving the furniture may result in injury and damage.

This restraint must be screwed to a wood stud on the wall, using the long screw provided.

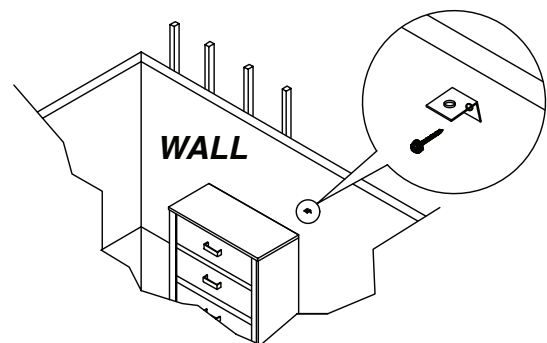
STEP 1

Secure the bracket to the back top of the unit, using the short screw provided, as shown in the drawing.



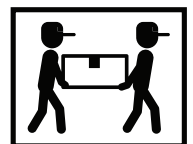
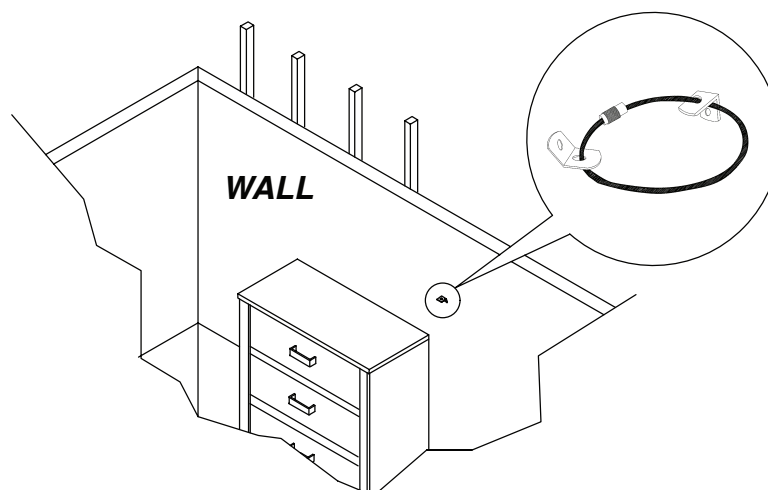
STEP 2

Locate the wood stud on the wall and secure the other bracket 2 inches below the back of the unit, using the long screw.



STEP 3

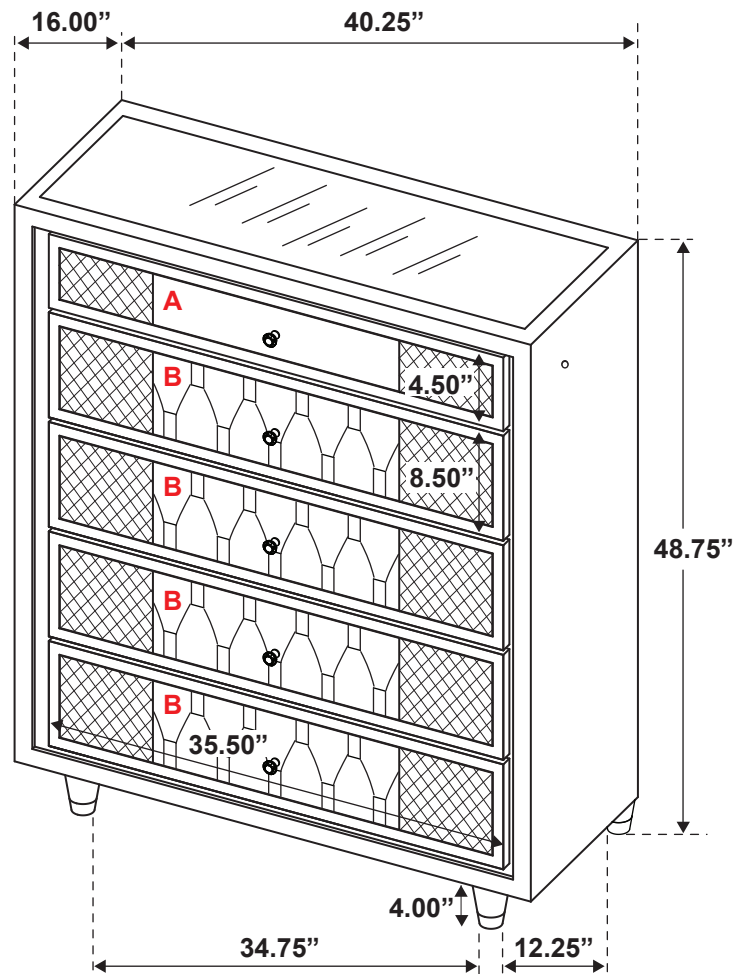
Place the furniture into position so both mounting brackets are vertically in line. Lace the threaded end of the restraint strap through the hole in each mounting bracket. Bring both ends together and rotate the thumb nut onto the threaded end until tight. Ensure that the restraint strap is securely laced and locked.



ITEM: **222665**



Inner Size of Drawer A: 33.75"W x 12.25"D x 2.50"H x 0.50"T
Inner Size of Drawer B: 34.00"W x 12.50"D x 5.25"H x 0.25"T



Note: Dimension tolerance $\pm 5\%$