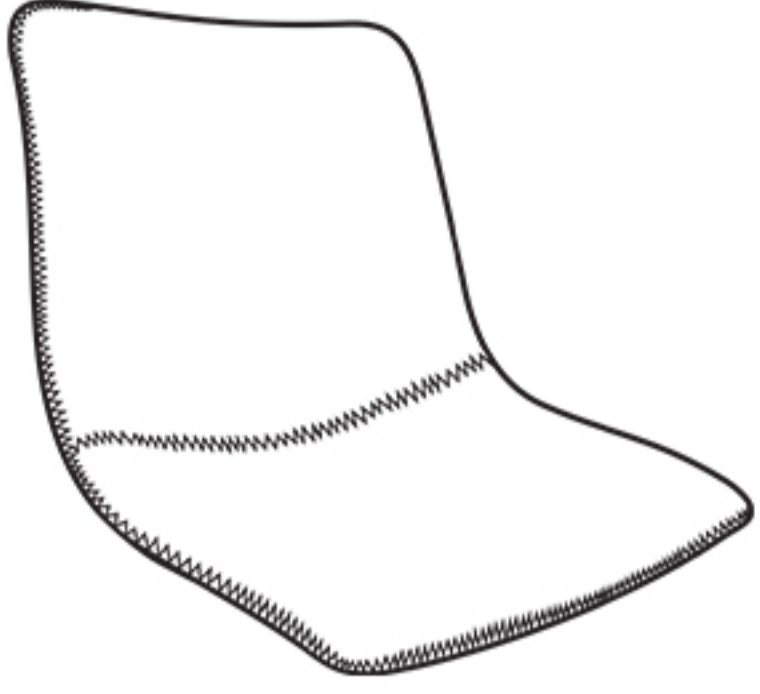

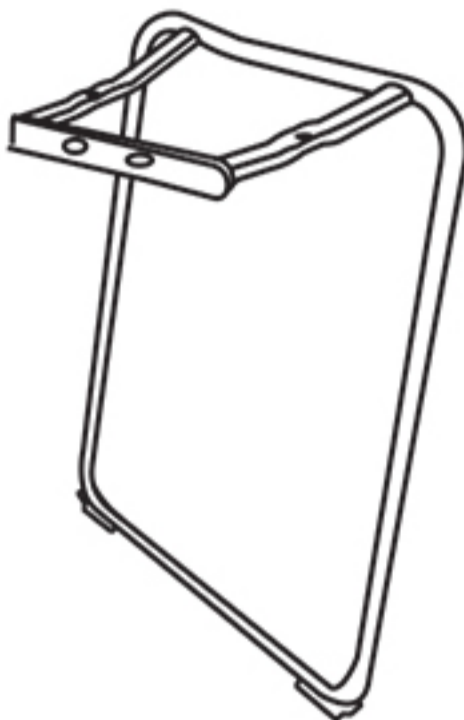









Parts List

Make sure all the parts are in the package.

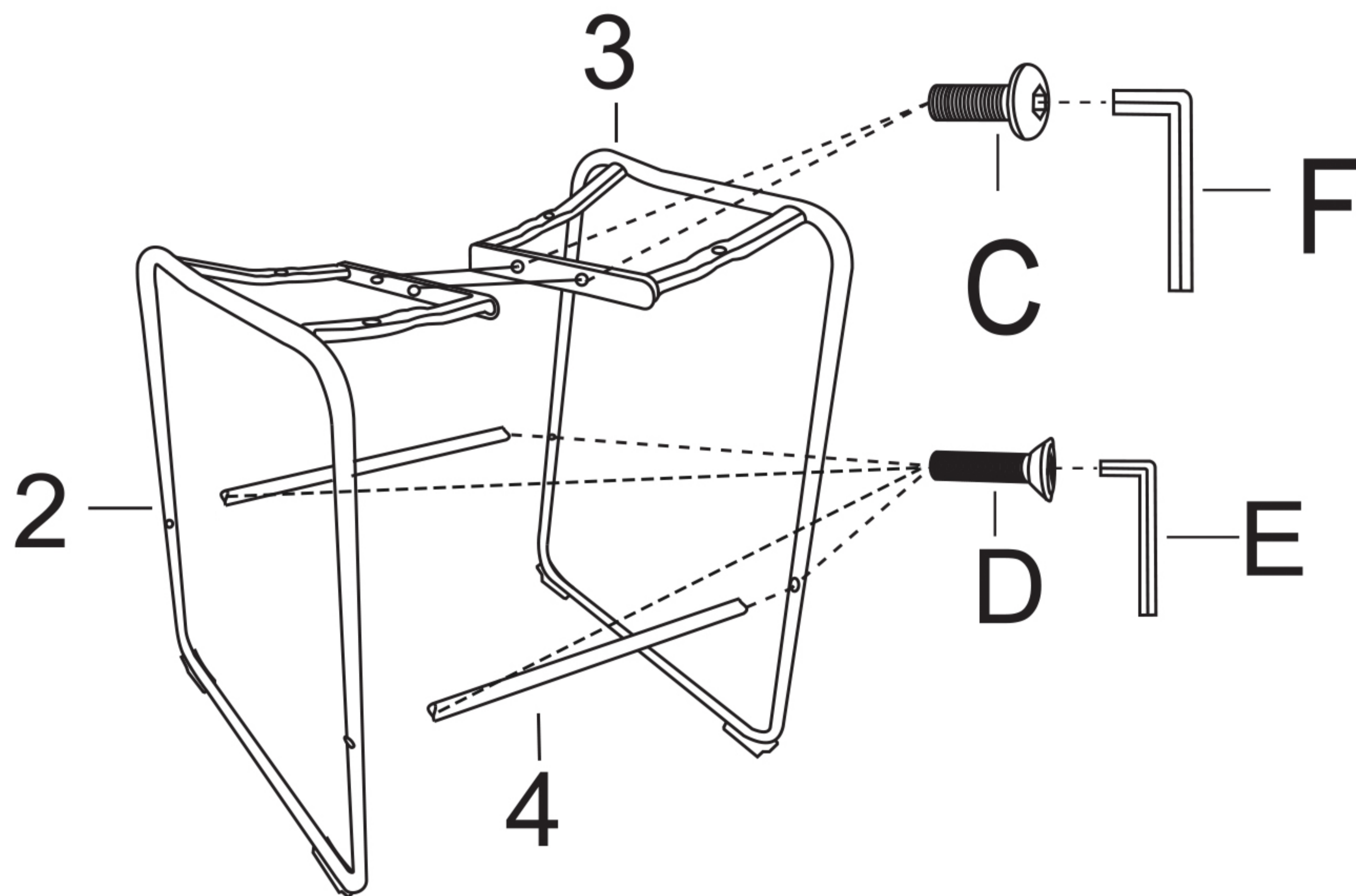
<p>① *1 Seat</p> 	<p>② *1 Chair Leg</p> 
<p>③ *1 Chair Leg</p> 	<p>④ *2 Foot Rests</p> 

Hardware List

Do not tighten all bolts until all the bolts haven been installed in their corresponding locations.

<p>Ⓐ *4 Washer</p> 	<p>Ⓑ *4 Bolt M6X25mm</p> 	<p>Ⓒ *2 Bolt M8X14mm</p> 
<p>Ⓓ *4 Bolt M6X30mm</p> 	<p>Ⓔ *1 Allen Key M5</p> 	<p>Ⓕ *1 Allen Key M6</p> 

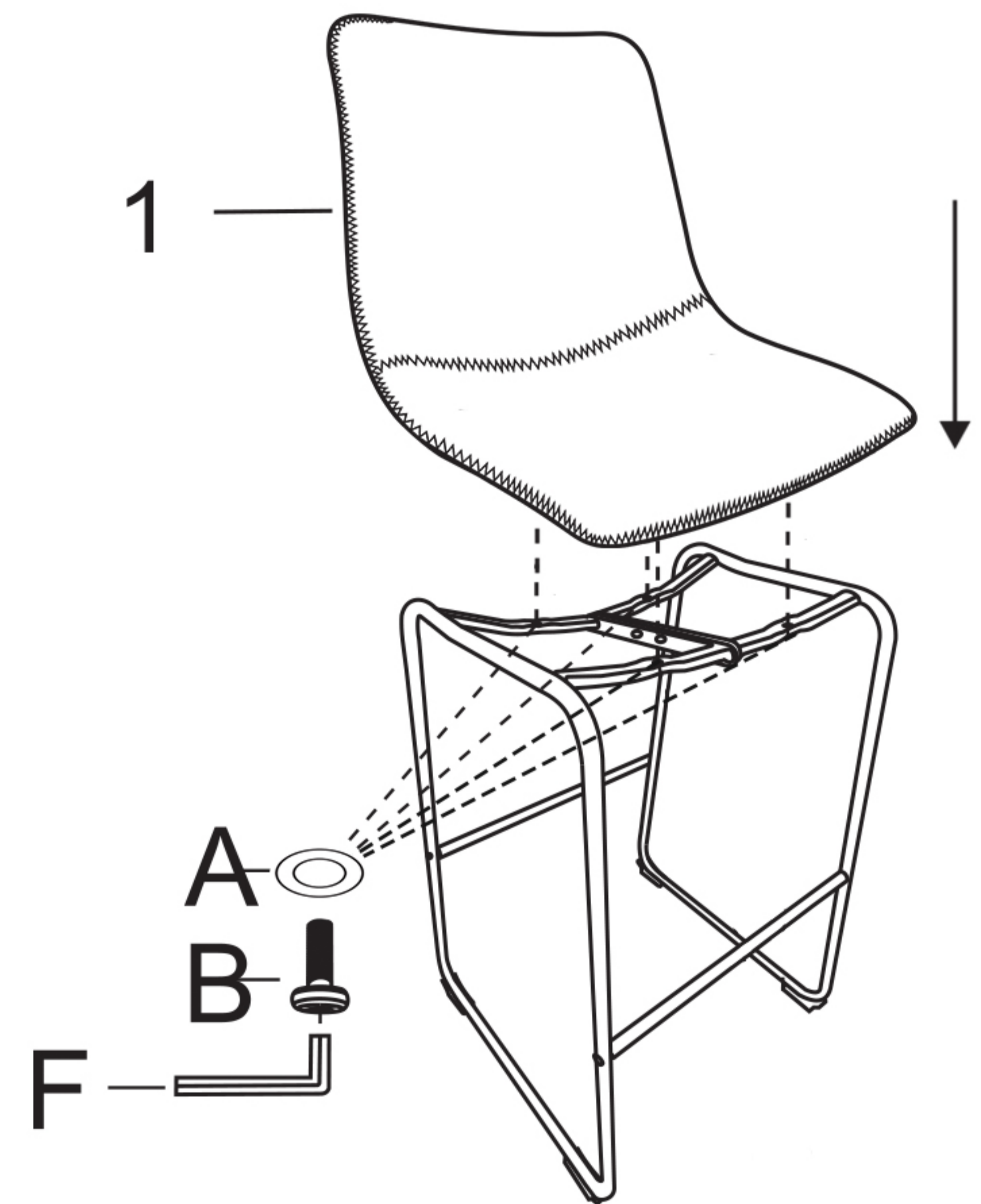
Assembly Step 1



Fix the Chair Leg(2) to Chair Leg(3) with 2 Bolts(C) by an Allen Key(F).

Fix the Foot Rests(4) to the Chair Legs with 4 Bolts(D) with an Allen Key(E).

Assembly Step 2



Fix the Seat(1) to the Chair Legs with 4 Bolts(B) and 4 Washers(A) by an Allen Key(F).

Please install 2 Bolts and gaskets at the back of the seat first. Make sure a high in front and low in back design of the seat.

Complete

