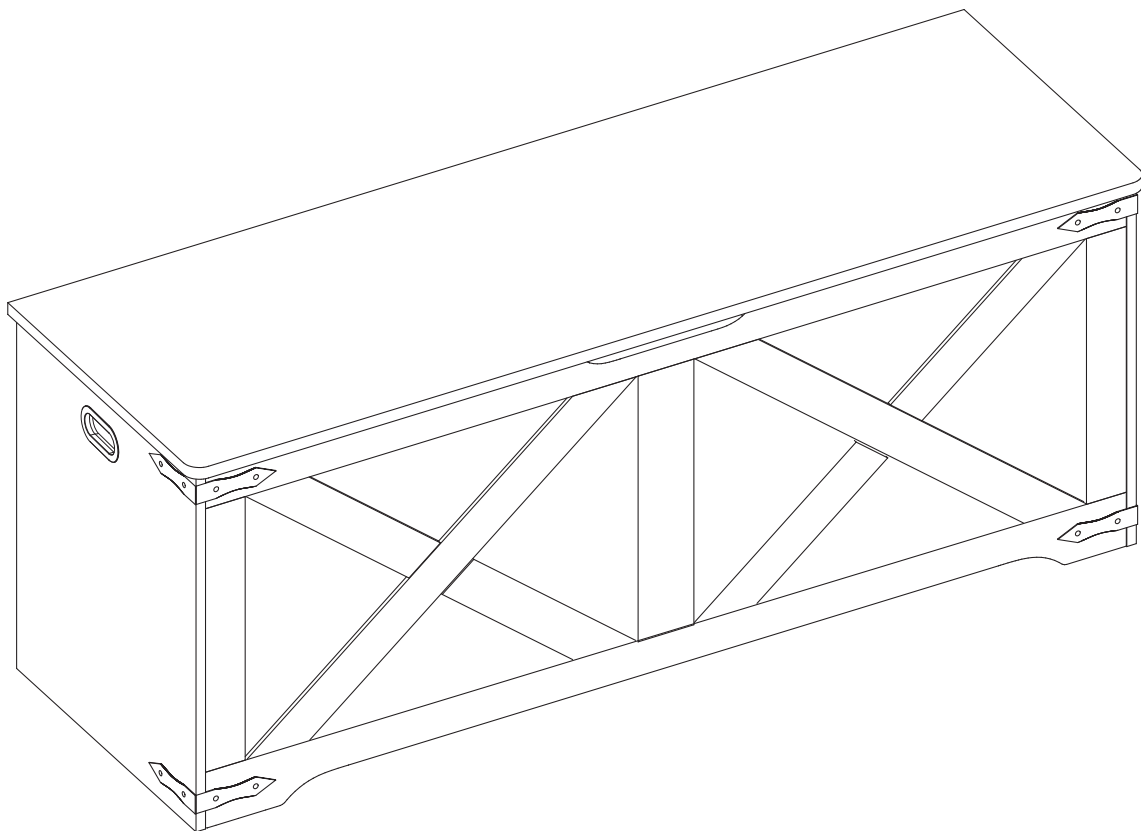
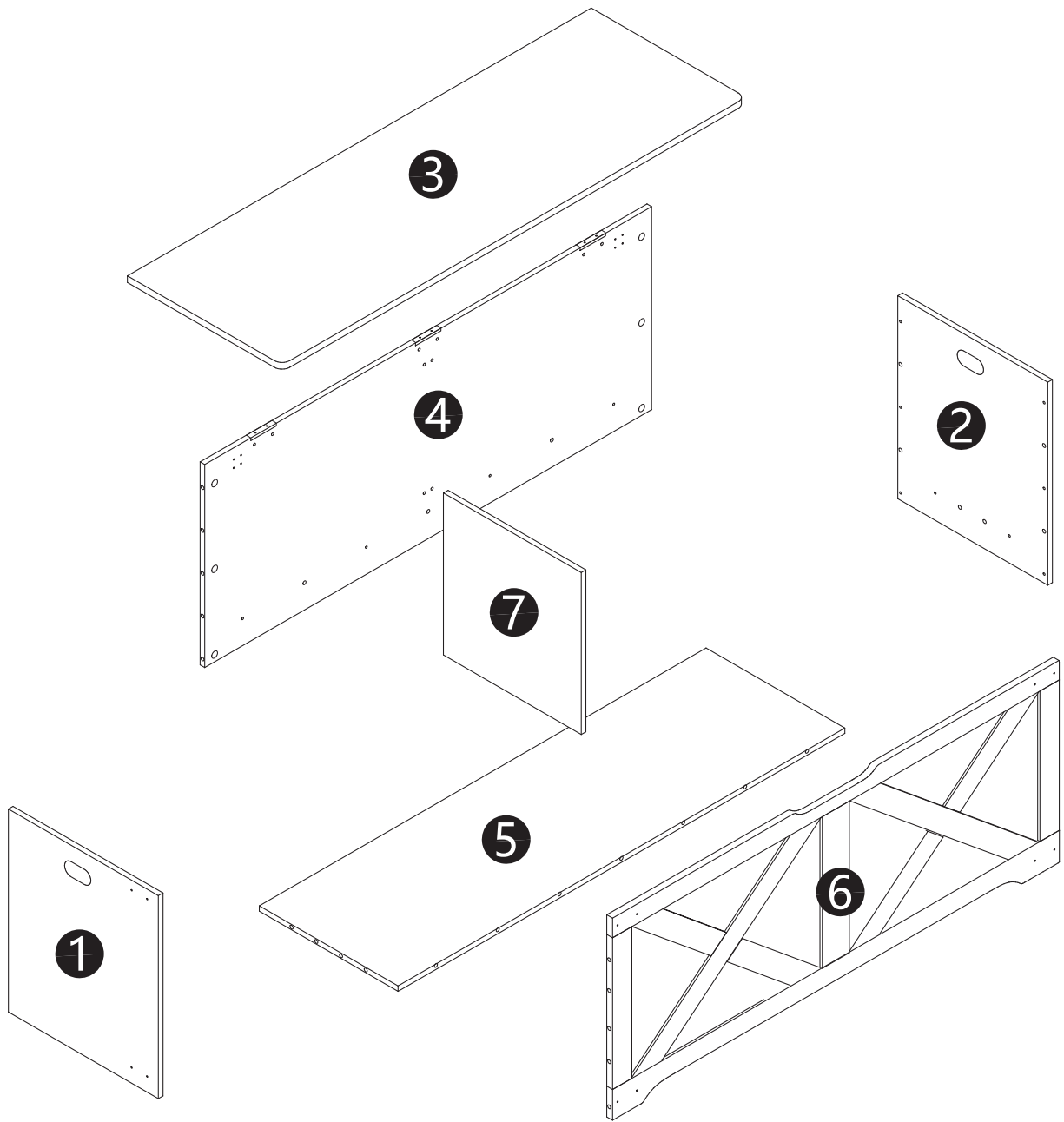



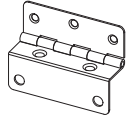
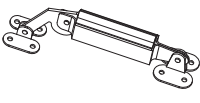
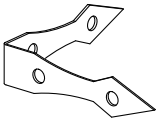
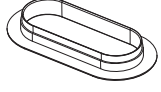
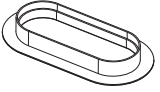
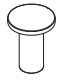


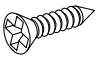

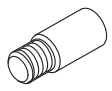

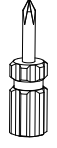


# Installation & Assembly

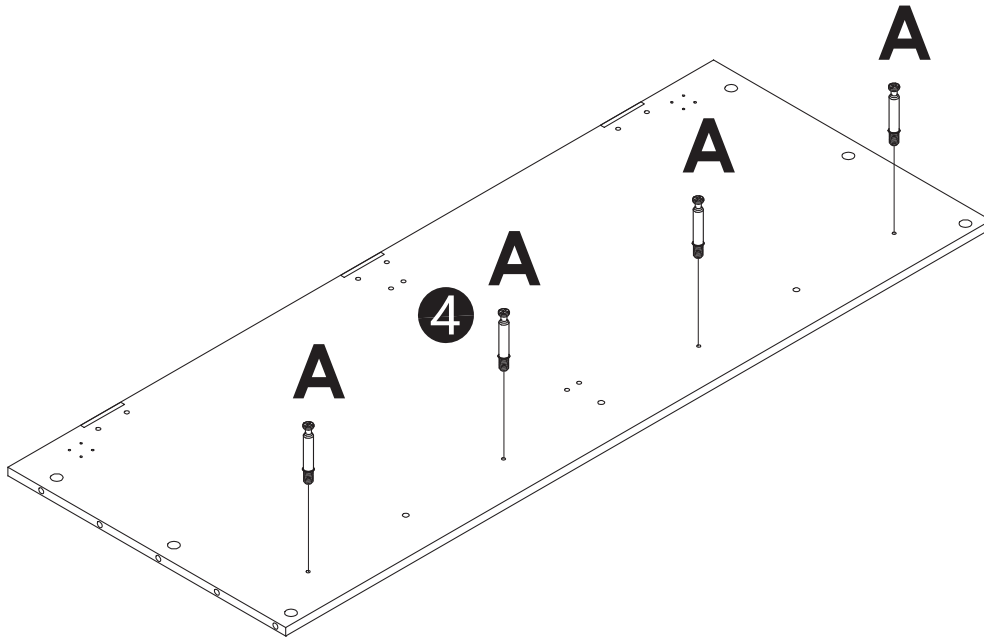
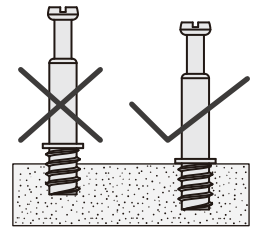




# PARTS

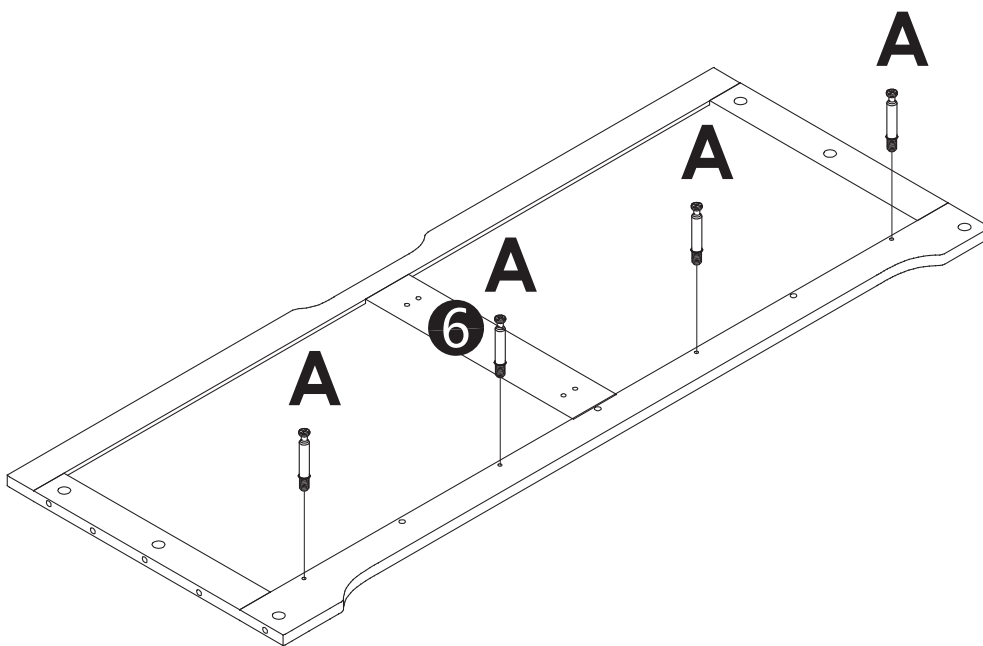
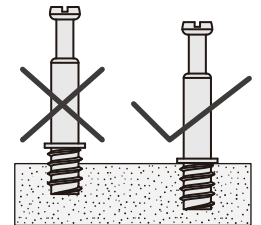
|  |       |   |        |  |       |   |       |
|--|-------|---|--------|--|-------|---|-------|
| <b>A</b>   | x24+2 | <b>B</b>  | x24+2  | <b>C</b>   | x18+2 | <b>D</b>  | x3    |
|   |       |    |        |    |       |    |       |
|  |       | M15 x 9.5   |        | M8 x 30  |       |   |       |
| <b>E</b>   | x 2   | <b>F</b>  | x 4    | <b>G</b>   | x 2   | <b>H</b>  | x 2   |
|   |       |    |        |    |       |    |       |
| <b>I</b>   | x 6+1 | <b>J</b>  | x 16+2 | <b>K</b>   | x31+2 | <b>L</b>  | x24+2 |
| <br> |       |  |        |  |       |  |       |
|  |       | M4*12 black   |        | M3.5*12  |       | M20   |       |
| <b>M</b>   | x 8   | <b>N</b>  | x2+1   | <b>O</b>   | x1    |   |       |
|   |       |  |        |   |       |   |       |
|  |       |   |        |  |       |   |       |
|  |       |   |        |  |       |   |       |
|  |       |   |        |  |       |   |       |

# STEP 1



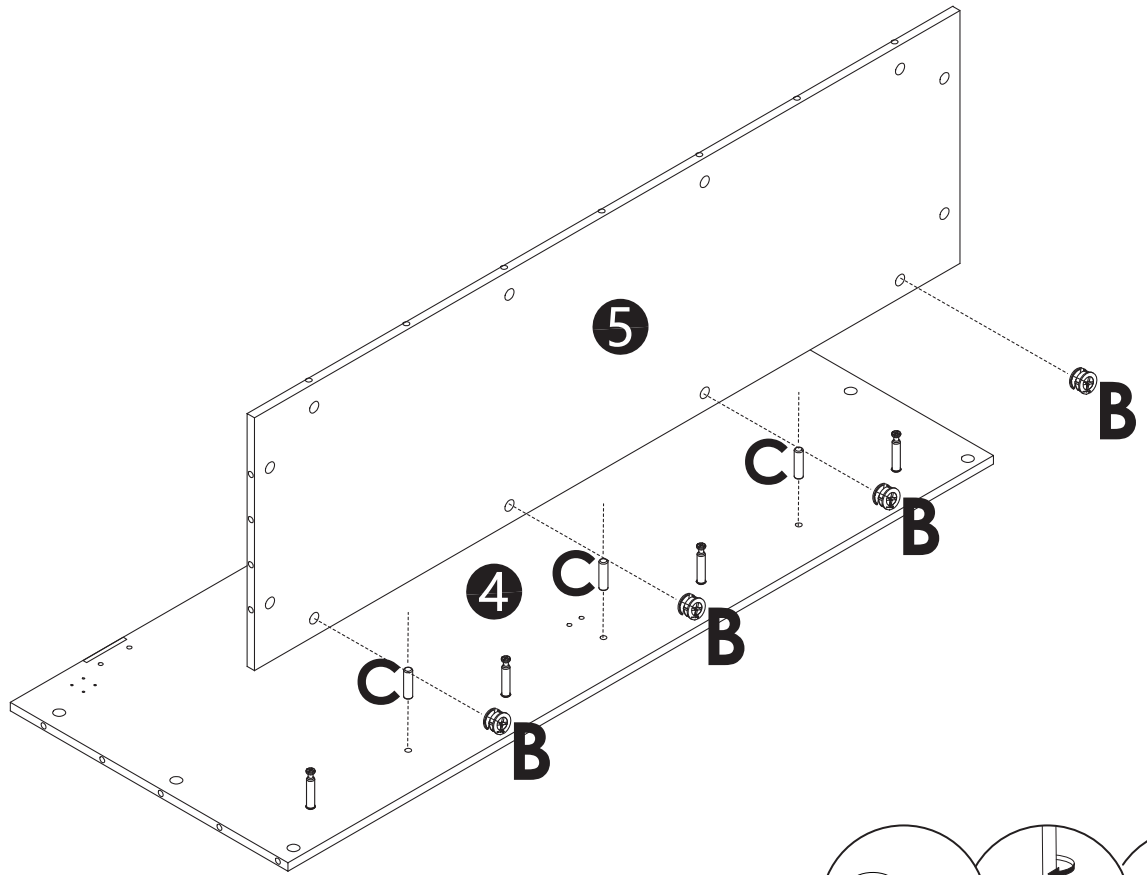
Ax4

# STEP 2

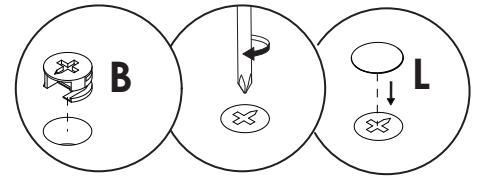


Ax4

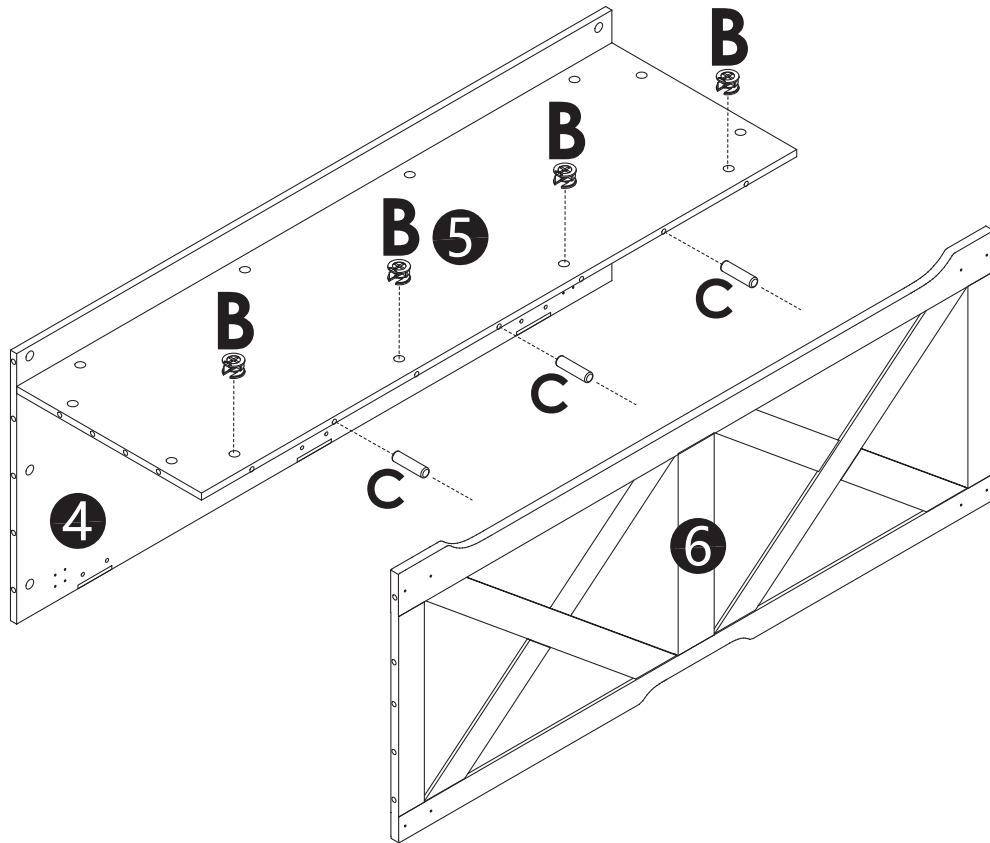
### STEP 3



B x 4  
Cx3  
Lx4



### STEP 4

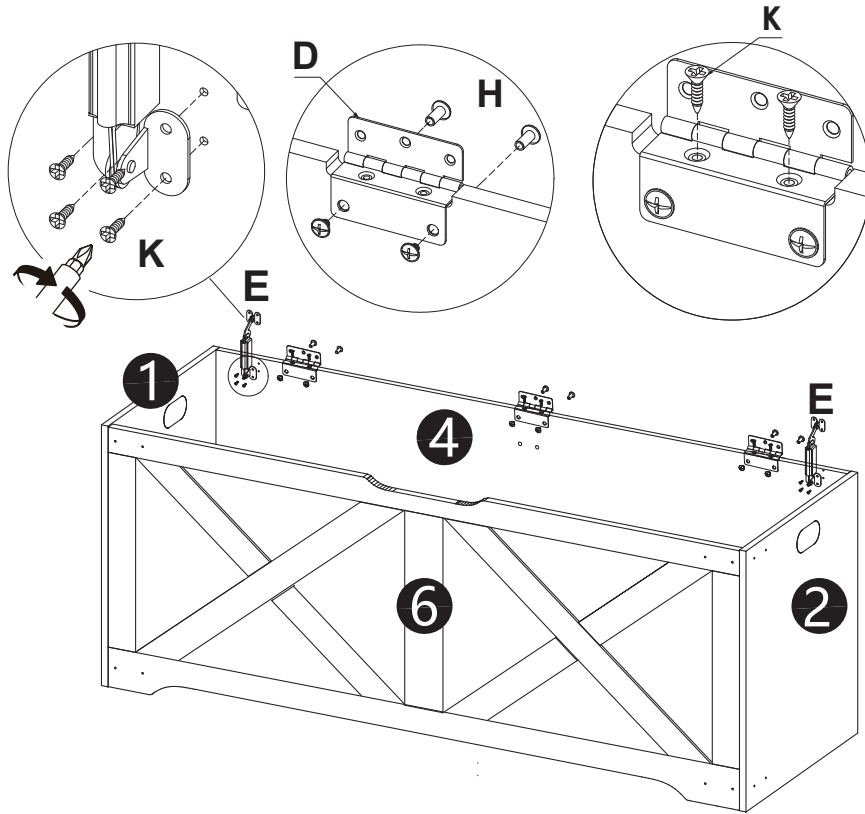
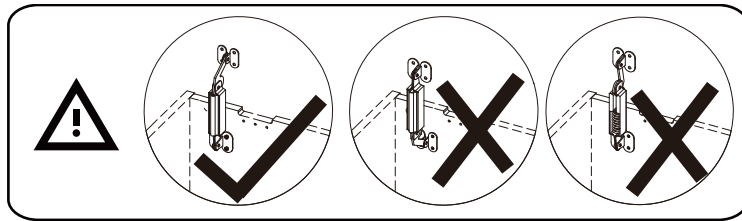


B x 4  
Cx3  
Lx4

5

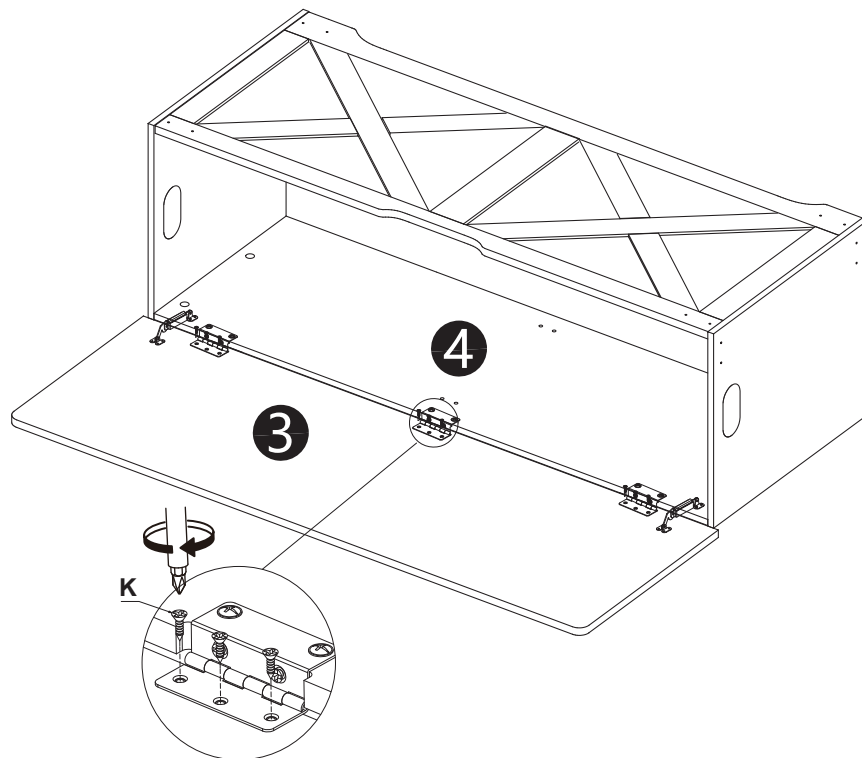


# STEP 7



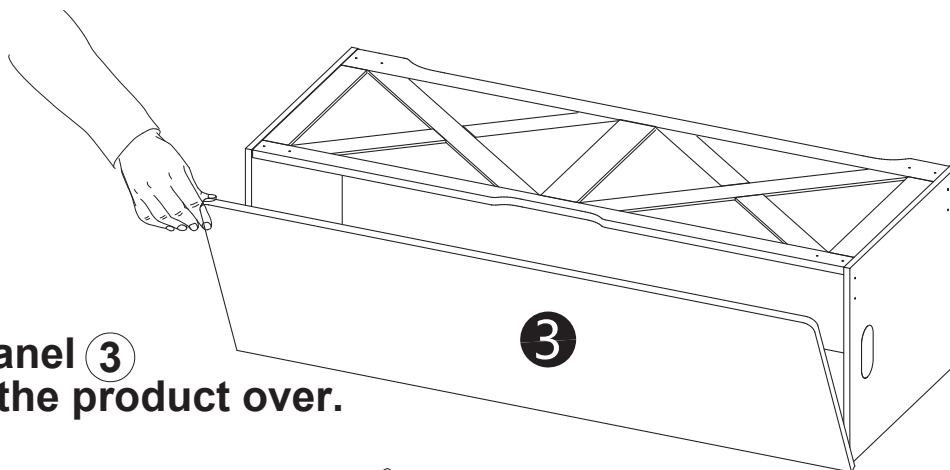
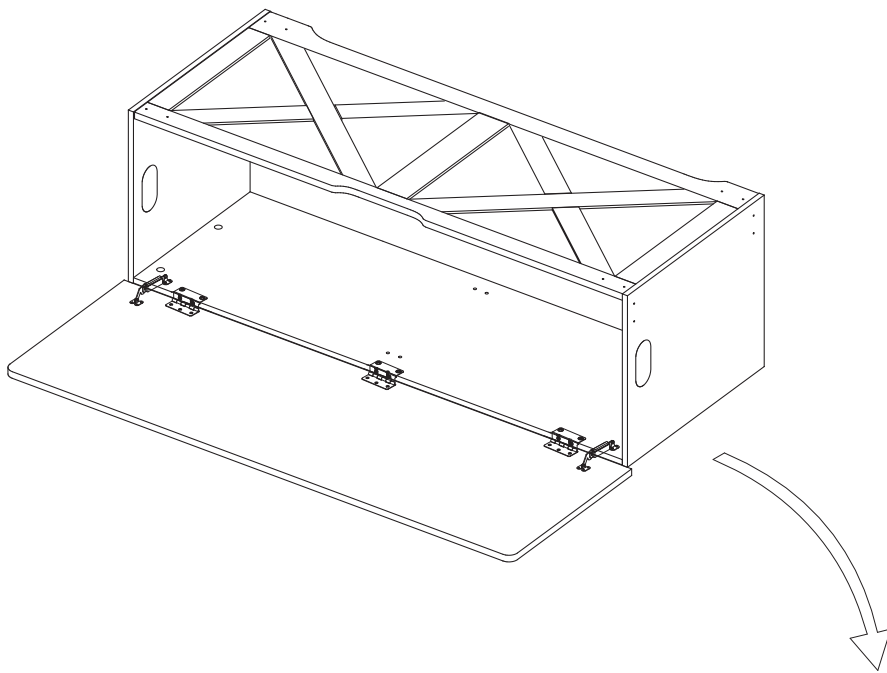
Dx3  
Ex2  
Hx6  
Kx14

# STEP 8

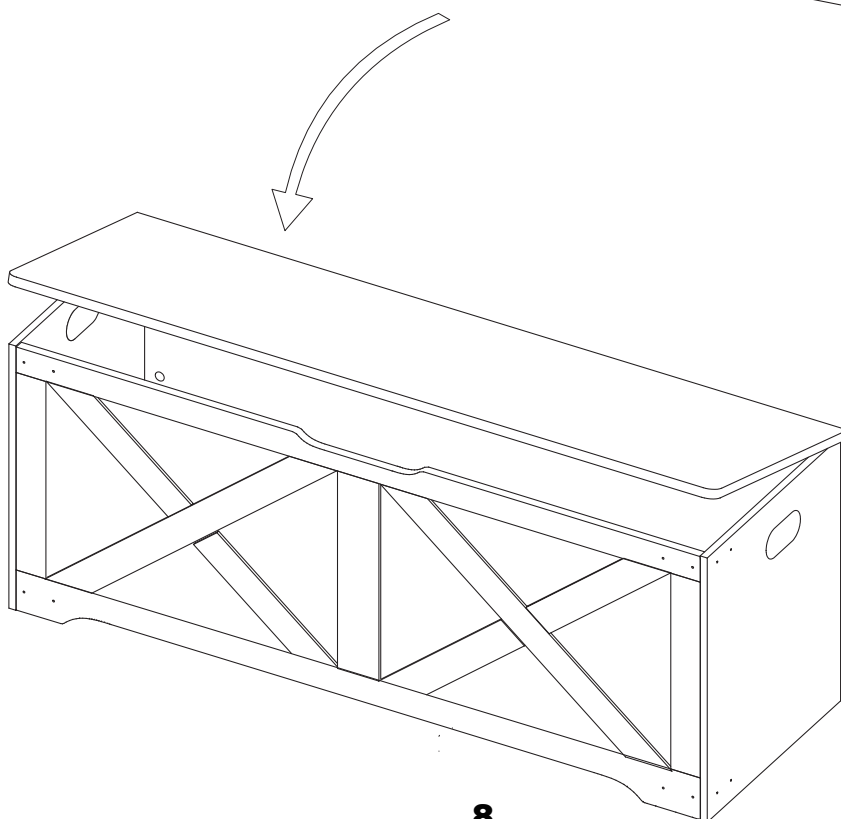


Kx9

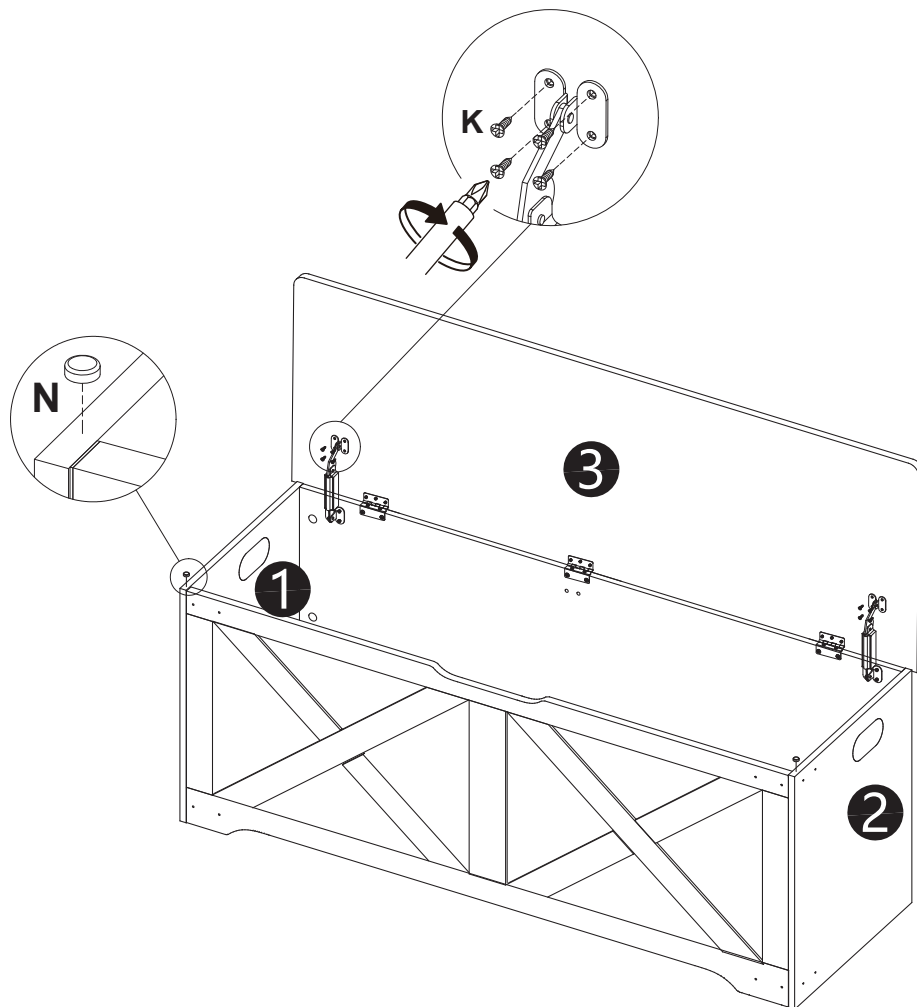
# STEP 9



Please hold panel ③ when turning the product over.

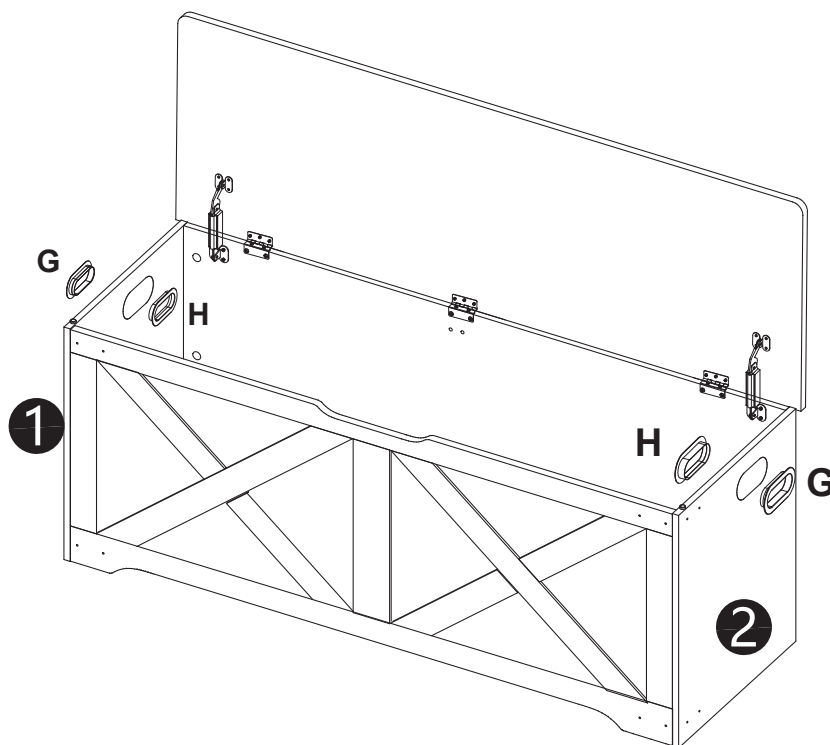


# STEP 10



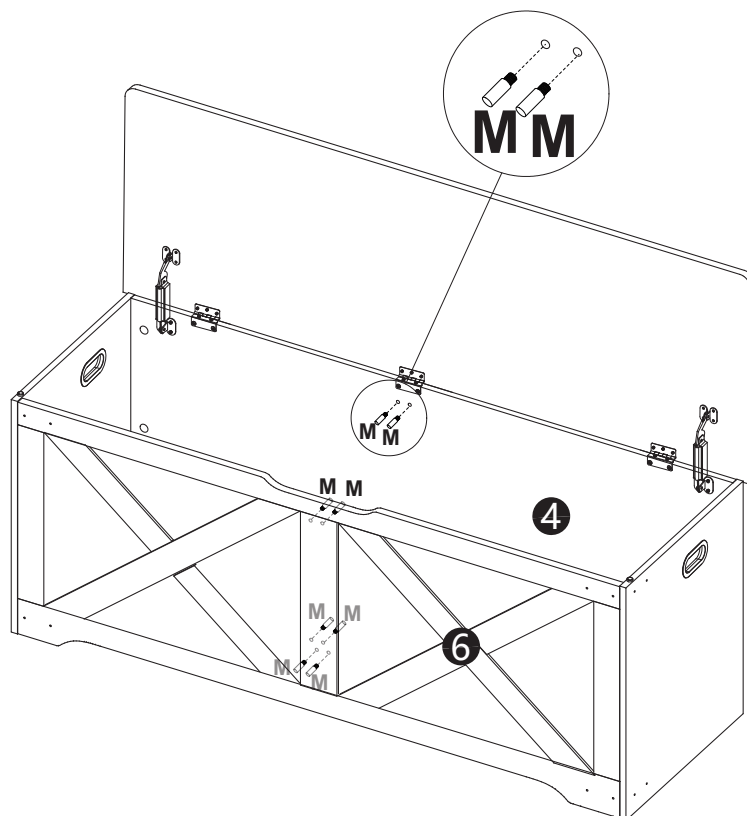
Kx8  
Nx2

# STEP 11



Gx2  
Hx2

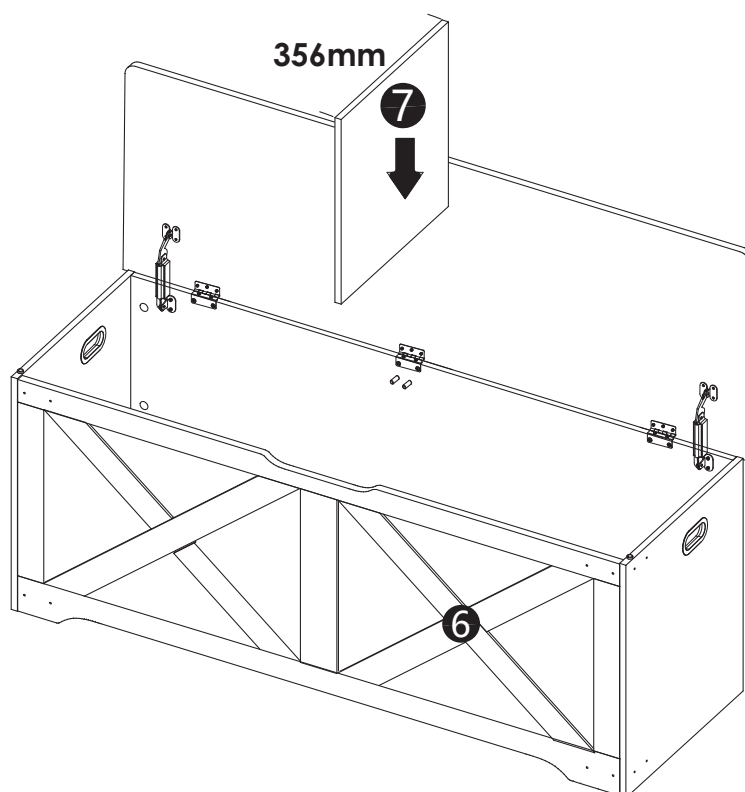
## STEP 12



Mx8

## STEP 13

**Note:** When installing the No. 7 component, please pay attention to the length and width directions. Otherwise, it will not be installed properly.



**STEP 14**

