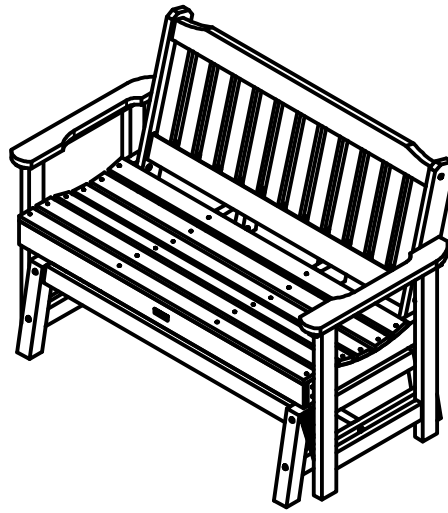


# 4' Glider Bench

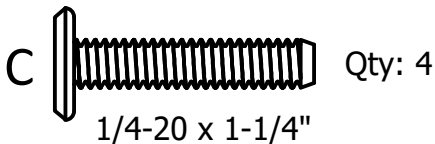
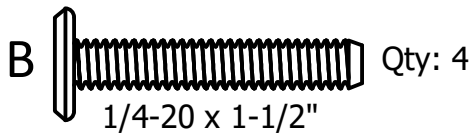
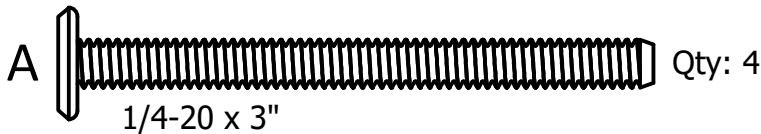
## Assembly Guide



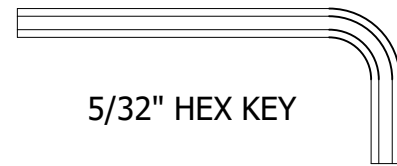
\*Actual Style May Vary from the One Pictured in this Guide

BEN-GL2

### HARDWARE INCLUDED



### TOOLS INCLUDED

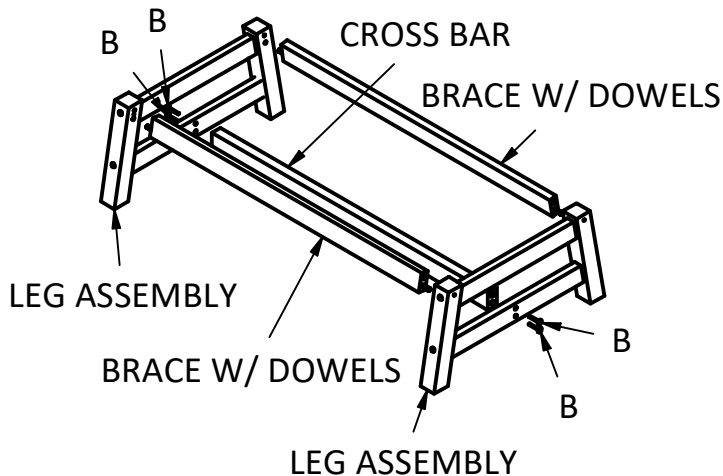


### CUSTOMER SUPPLIED TOOLS

Cordless screwdriver/drill OR  
multi-bit handle for the square bit

### IMPORTANT!

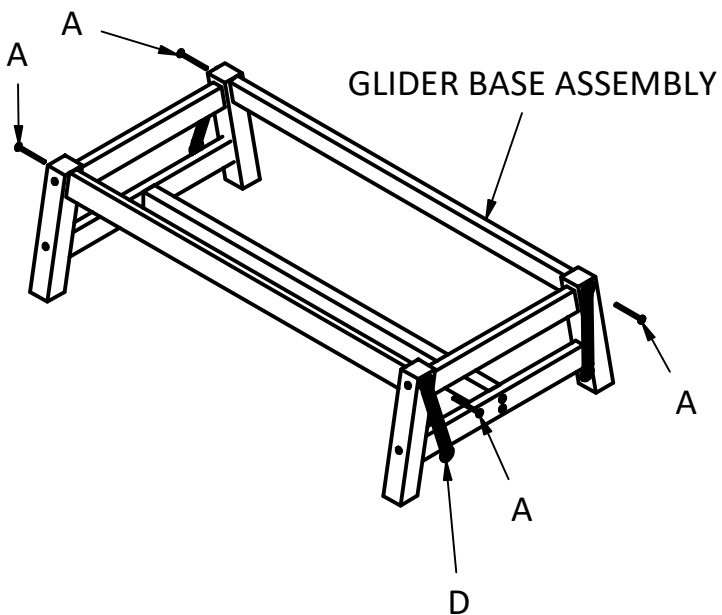
DO NOT fully tighten bolts until all bolts are started.



### STEP #1

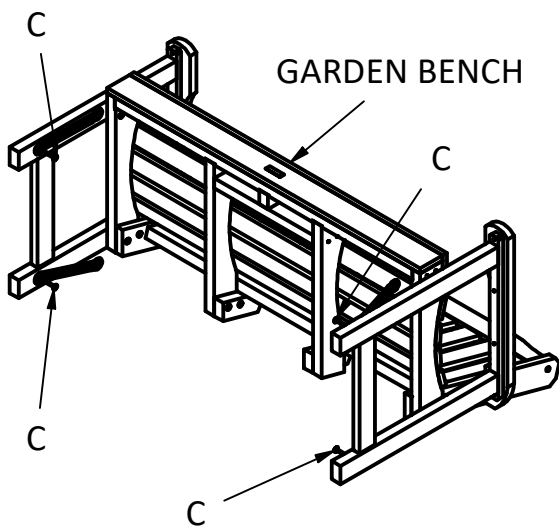
Attach Cross Bar to Leg Assemblies using (4) B Bolts as shown.

Align Braces with Dowels in Leg Assemblies as shown.



### STEP #2

Attach (4) D Glider Brackets to Glider Base Assembly using (4) A Bolts as shown.



### STEP #3

Lay Garden Bench on its side.

Attach Glider Base Assembly to Garden Bench using (4) C Bolts as shown.

Assembly is complete.

