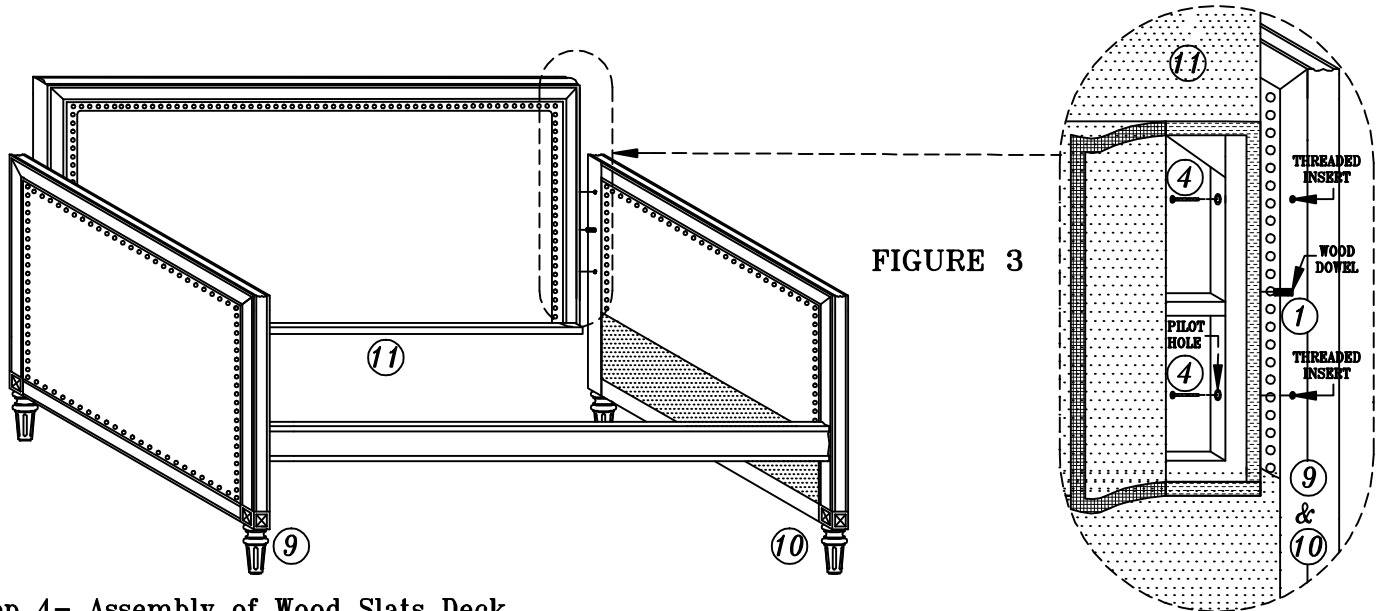


Instruction Sheet

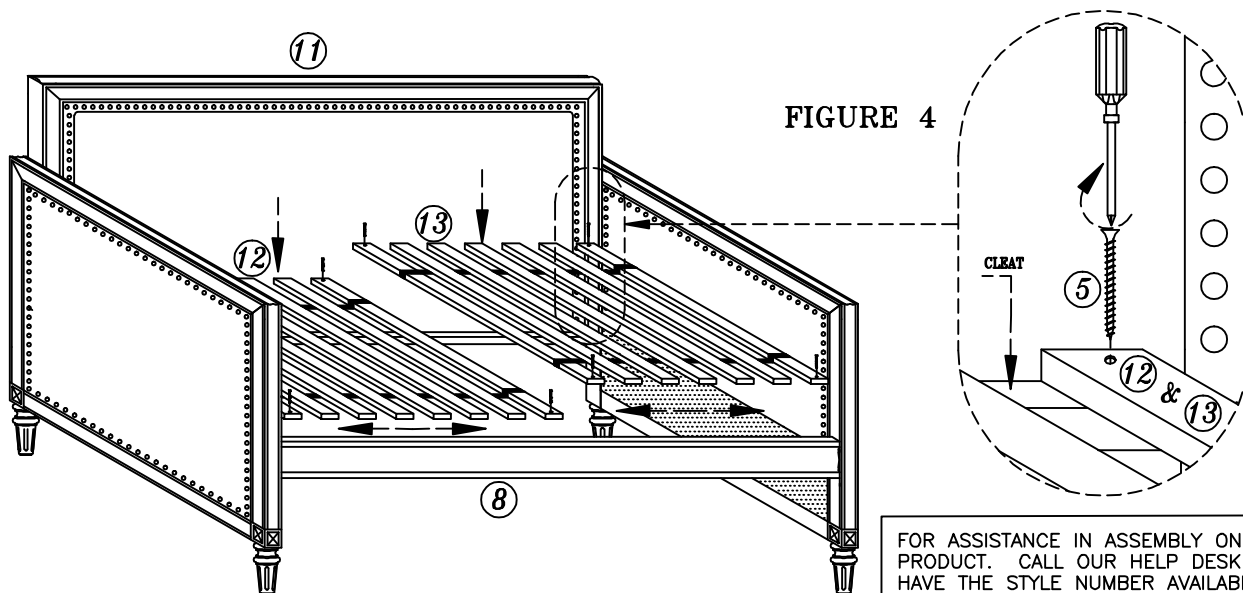
Step 3- Assembly of Back Panel to Side Panels.

- Insert wood dowel (1) on pilot holes on back post of left side panel (9) and right side panel (10). SEE FIGURE 3
- Carefully open each end of the back panel (11).
- Align pilot holes on back panel (11) with wood dowel (1).
- Insert screw (4) into pilot holes on Back panel (11) and into threaded insert on back post of left side panel (9) and right side panel (10). SEE FIGURE 3
- Tighten screws (4) completely with Allen wrench (6). Reseal velcro each end of back panel (11).
- Now Tighten screws (3) on each side of front rail (8). SEE FIGURE 2



Step 4- Assembly of Wood Slats Deck.

- Place large slat deck (12) and small slat deck (13) between front rail (8) and back panel (11). SEE FIGURE 4
- Secure wood slat decks (12 and 13) to cleat with phillips head wood screw (5). Use phillips head screwdriver.



FOR ASSISTANCE IN ASSEMBLY ONLY OF THIS PRODUCT. CALL OUR HELP DESK . PLEASE HAVE THE STYLE NUMBER AVAILABLE BEFORE YOU CALL. (STYLE # OR NAME CAN BE FOUND ON PACKING CARTON OR SALES RECEIPT.) OUR PRODUCT IS INSPECTED TO ENSURE IT IS IN GOOD CONDITION. IF YOUR FURNITURE APPEARS TO HAVE BEEN DAMAGED IN SHIPMENT OR YOU ARE IN NEED OF REPLACEMENT PARTS PLEASE CONTACT THE DEALER FROM WHOM YOU PURCHASED THE PRODUCT.