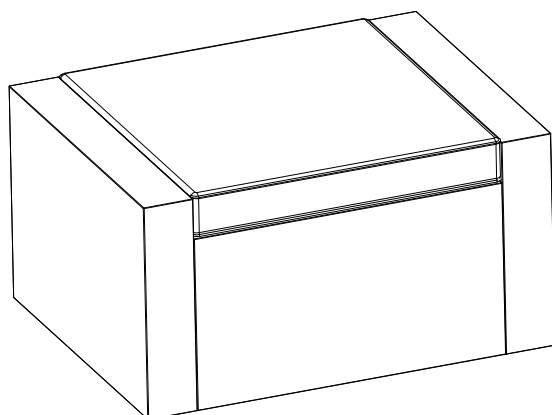
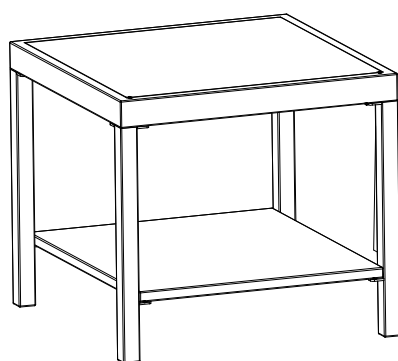


Ottoman and Coffee Table

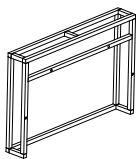
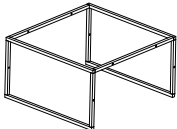









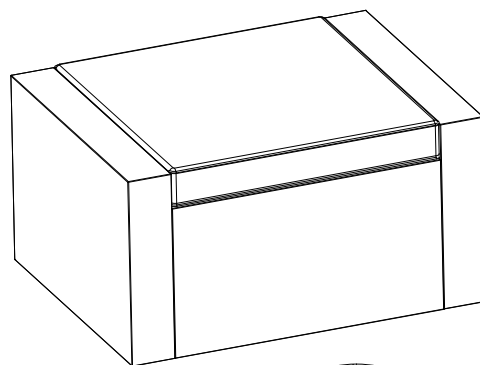
X2



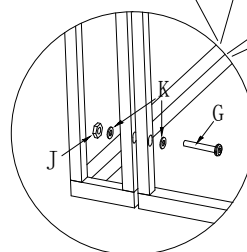
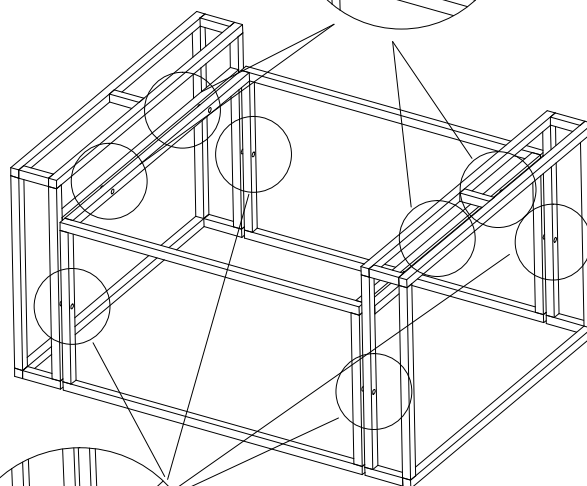
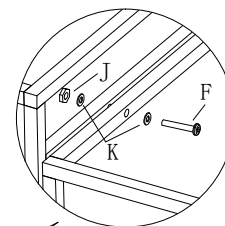
X1

Ottoman (DO THIS TWICE)

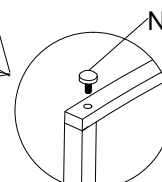
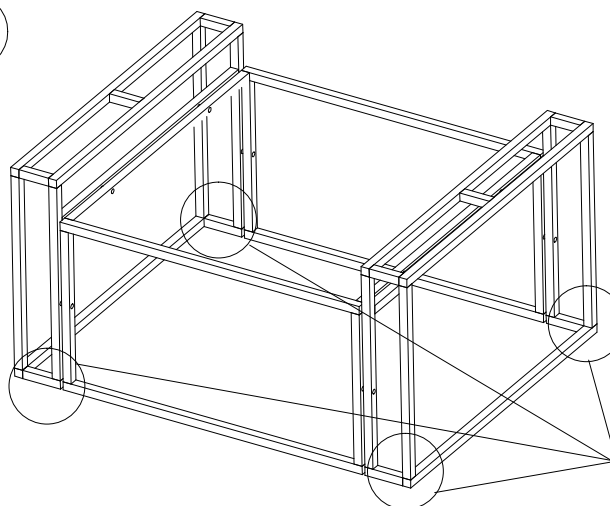
Item no.	Reference Image	Description	Qty.
A		Legs	2
B		Base	1
G		M6 x 50 Head Cap Screw	4
F		M6 x 60 Head Cap Screw	4
J		Nut	8
K		Washer	16
L		Wrench	1
M		Allen Key	1
N		Leveler	4



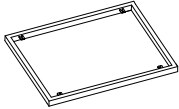
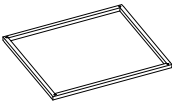
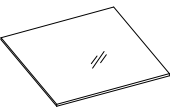
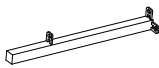

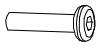


1

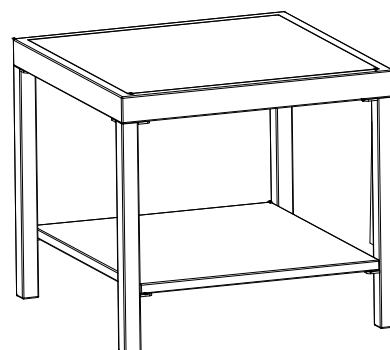


2

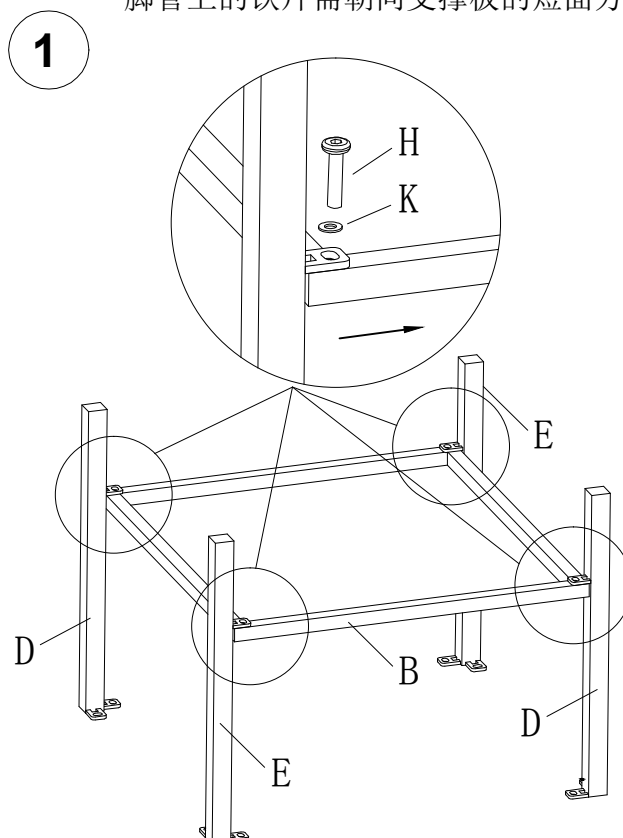


Coffee Table

Item no.	Reference Image	Description	Qty.
A		Table Top	1
B		Base	1
C		Glass	1
D		Leg 1	2
E		Leg 2	2
H		M6 x 20 Head Cap Screw	12
K		Washer	12
M		Allen Key	1

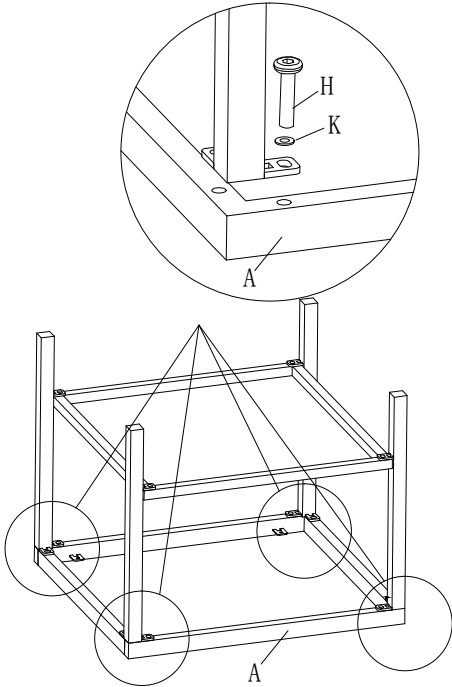


注意：脚管上的铁片和支撑板组装时，脚管上的铁片需朝向支撑板的短面方向



Coffee Table

2



3

