

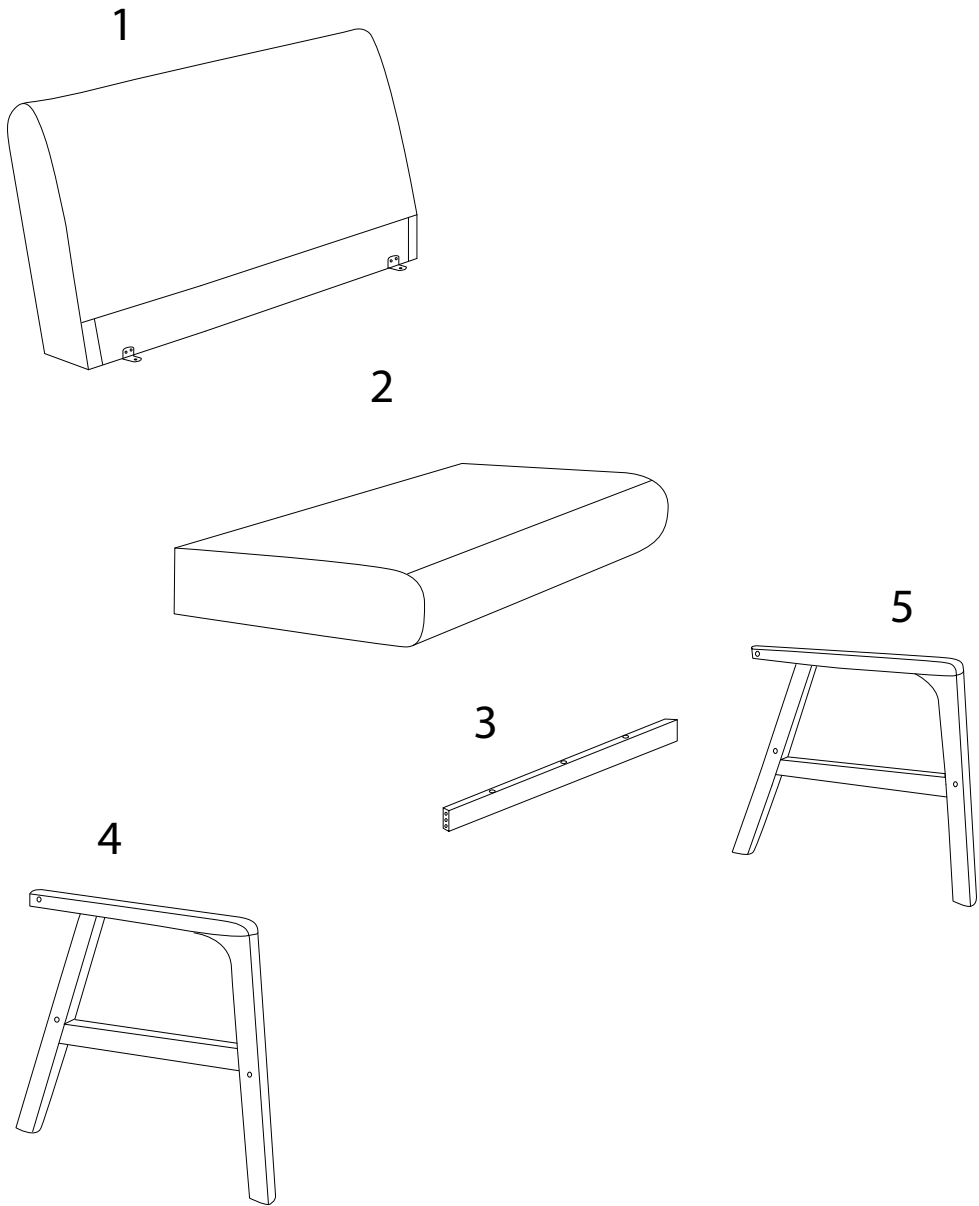
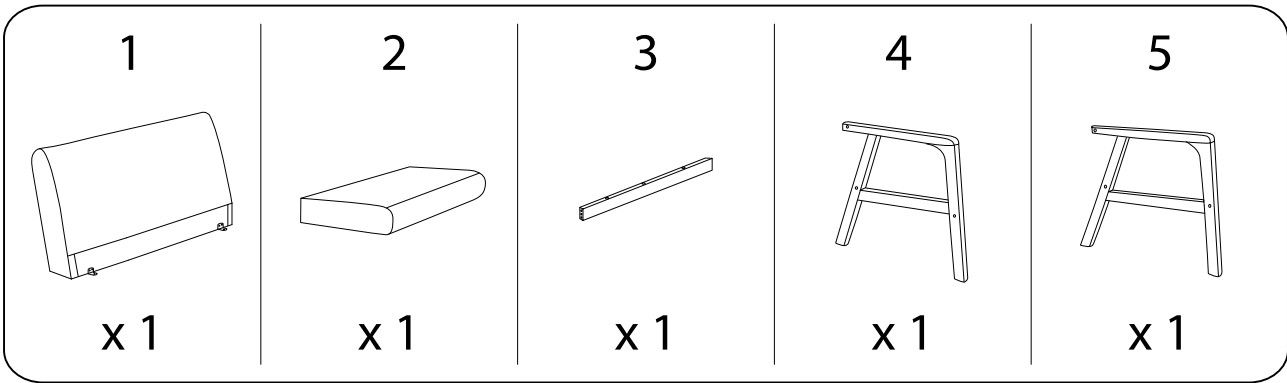
Assembly instructions for the chair, including tool requirements, time, and person count.

Tools: A circle containing a screwdriver and an Allen key, and a crossed-out power drill icon.

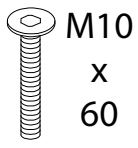
Time: A clock icon with the text **30'** below it.

Person Count: A person icon with the number **1** below it.

Warnings: Two warning triangles (exclamation marks in triangles) are present. The top one is connected to the tool icons, and the bottom one is connected to the person icon.

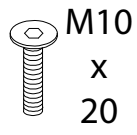


A



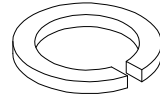
x 6

B



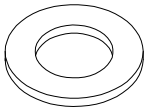
x 2

C



x 6

D



x 6

E



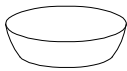
x 2

F



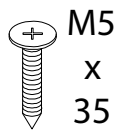
x 4

G



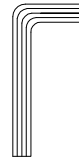
x 6

H



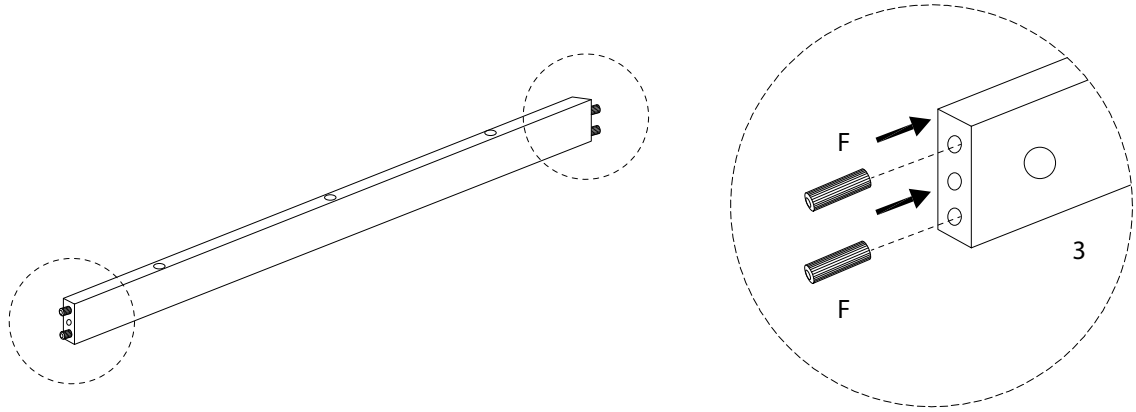
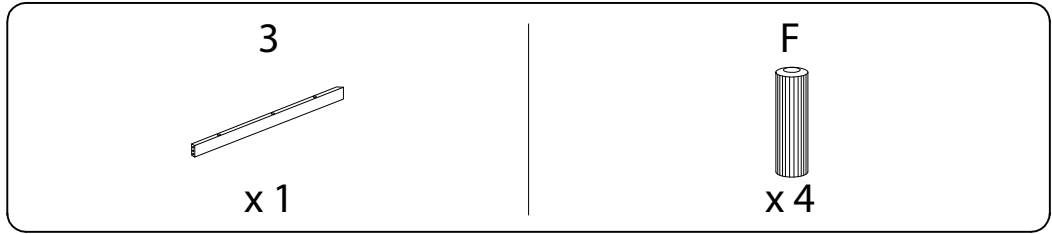
x 3

I

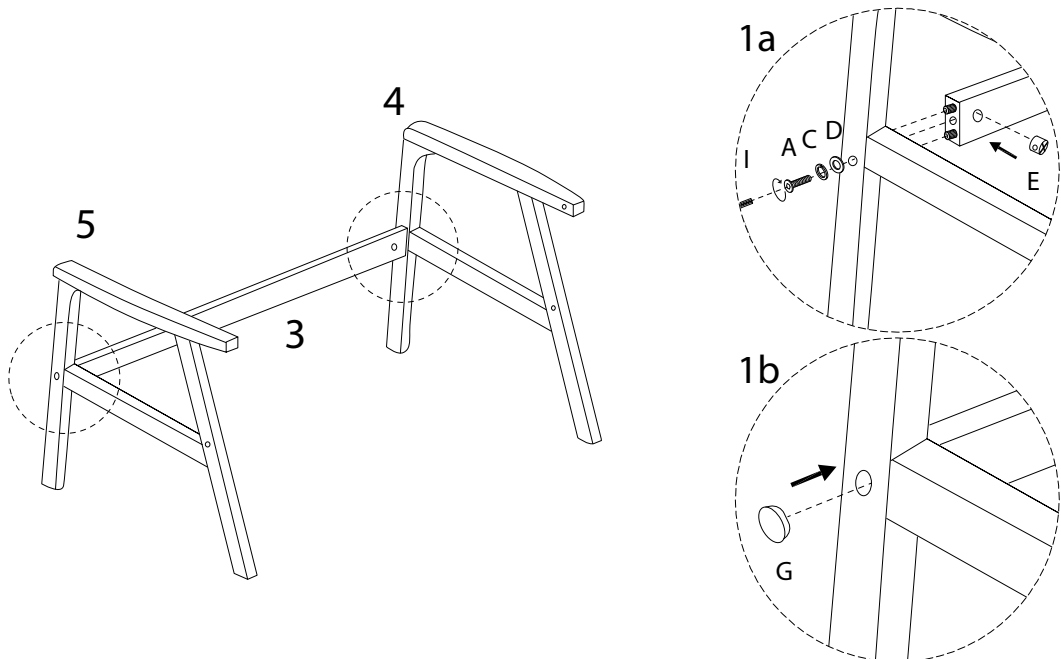
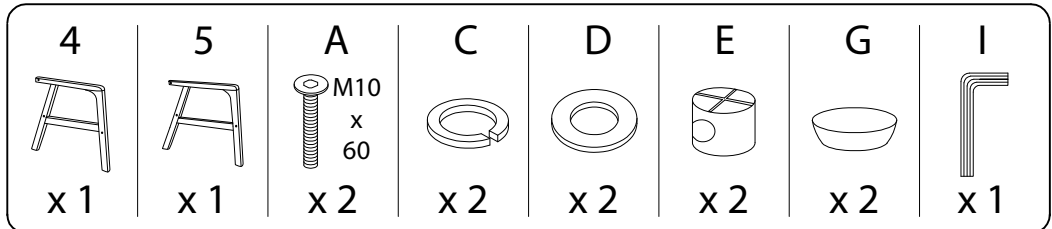


x 1

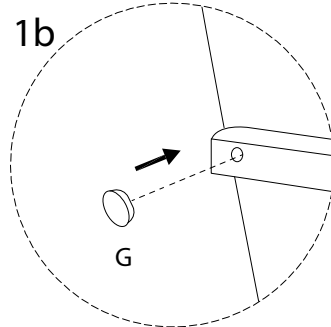
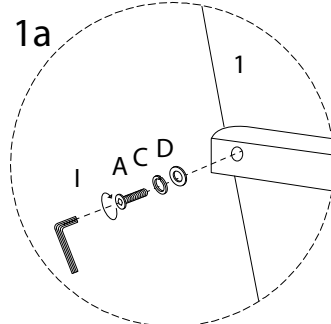
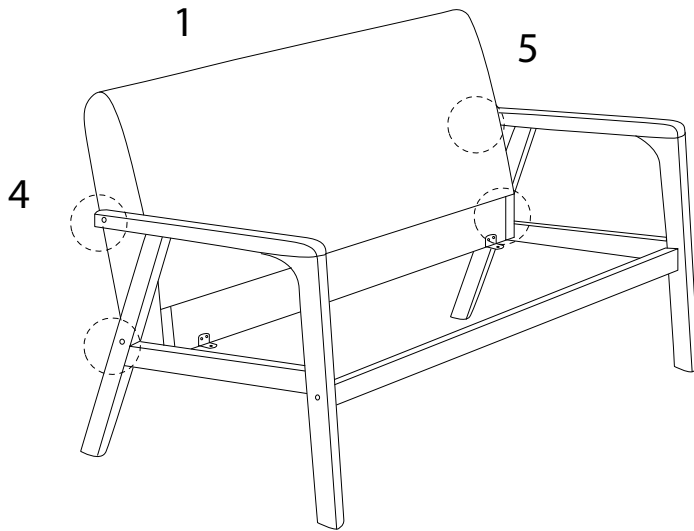
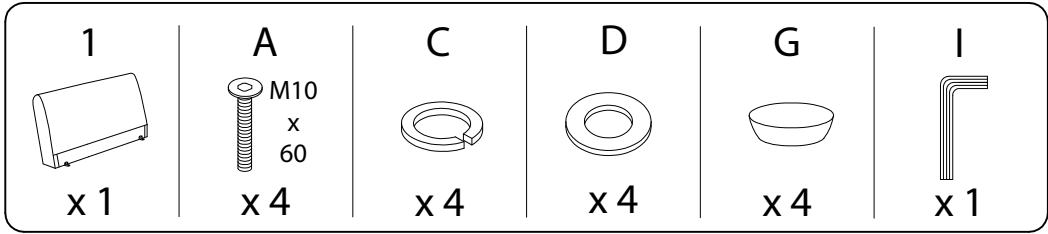
1



2



3



4

