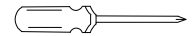
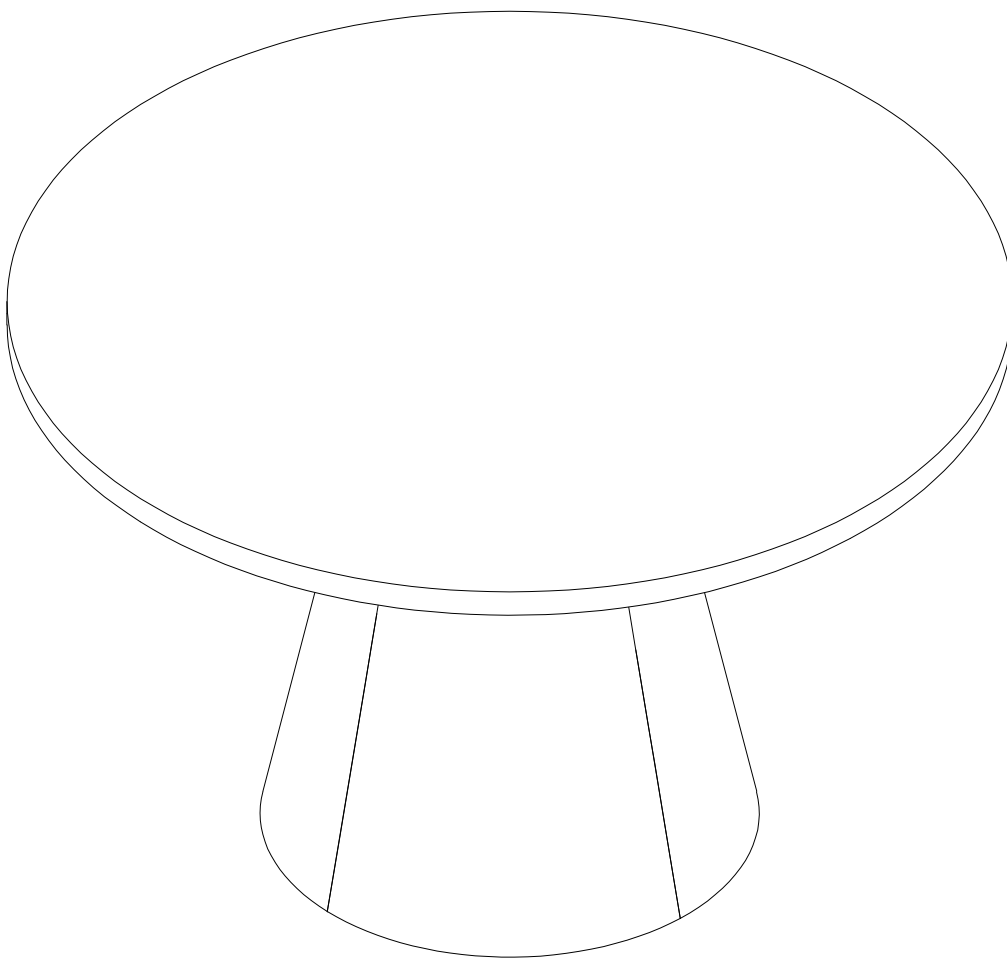


ASSEMBLY INSTRUCTIONS

TOOLS REQUIRED

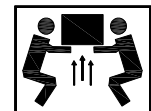


Screwdriver
(Not Included)



(Included)

Allen Wrench

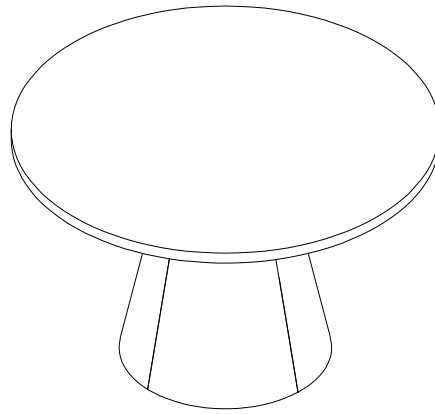


2 - People

Enjoying this product? We'd love your 5-star review!

If you have any issues, our support team is happy to help.

Please double check all hardware



CHECK BEFORE STATING

Are you missing anything?

Please double check all hardware and parts match the assembly guide before putting the product together. If damaged, we suggest you put the item back in the box and start your claim or return

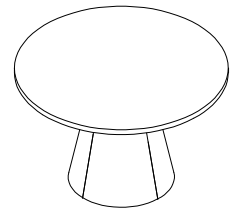
Should we send any, replacements?

If there are any manufacturer defects or missing pieces please contact us for replacements. If purchased online, please contact the website of where you purchased it from, DIRECTLY

IMPORTANT INFO before assembly:

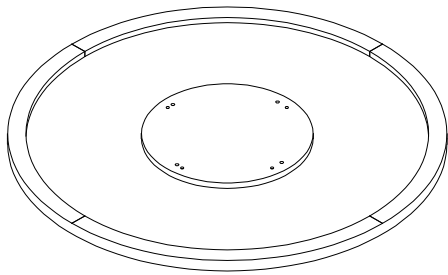
- If there's a problem with the parts do not attempt to assemble the product
- Place all parts on a clean and smooth surface such as a rug/carpet to avoid parts from being scratched
- When tightening screws to product do not overtighten until product is fully setup
- If product is too heavy for a single person to carry do not attempt and ask for assistance
- DO NOT DRAG or PUSH item to desired location. Must be carried when moving
- If item is not working as intended please review the assembly guide to see if any steps were missed or incorrectly built. If there's a problem with part please contact seller for additional assistance
- Please keep all hardware and small parts away from pets/infants
- Please wear gloves or protective gear to protect from getting cuts
- It is normal for new furnitruue to have an off gassing smell. Please air out furniture near a window for a few hours or a day before placing it in its desired location
- All products may have a slight color and texture variation due to different shipments, natural materials, screen-resolutions, or lighting in home. Images are rendered by different devices or websites

- Please keep instructions for future reference
- Check the quantity and irregularity of parts and hardware before you start
- If assembly guide is misplaced, please visit our website for copy

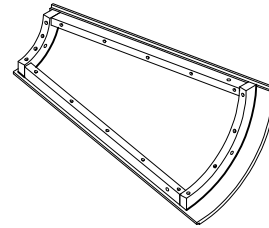


Dining Table

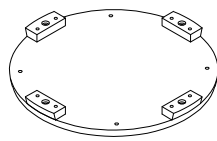
Part List



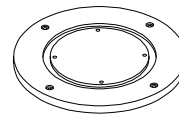
A Table Top
1 pc



B Table Post
4 pcs

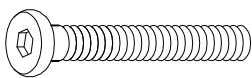


C Bottom Panel
1 pc



D Top Panel
1 pc

Hardware List



Ø5/16" x 18 x 2-1/2"
Head Cap Bolt
4 pcs



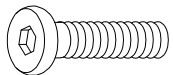
Ø5/16
Flat Washer (Large)
25 pcs



Ø5/16
Spring Washer (Large)
25 pcs



Ø5/16
Nut
4 pcs



Ø5/16" x 18 x 1-1/2"
Head Cap Bolt
12 pcs

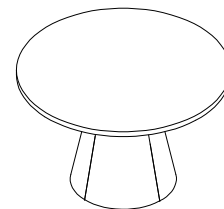


Key Wrench
1 pc



Hex Wrench
1 pc

If any parts/hardware listed are damaged or missing
Please contact the seller for additional assistance



ASSEMBLY INSTRUCTIONS

IMPORTANT

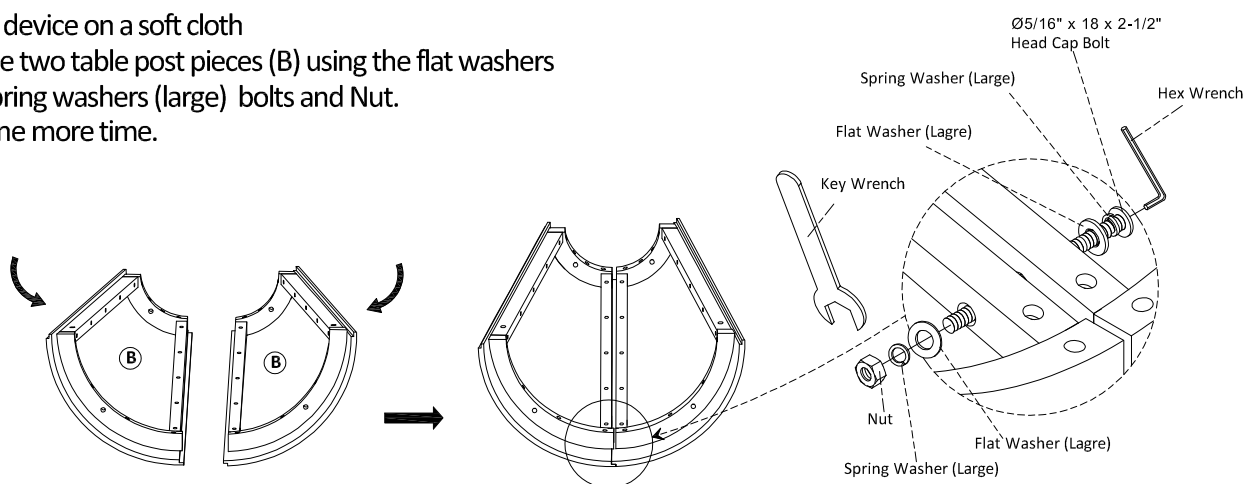
- Please keep Hex Wrench and Key Wench a safe place as you may need to tighten up the Head Cap Bolts in the future.
- Use a soft doth between these parts and the floor.
- After assembly, item must be level to work properly. Use the included adjustable levelers to level.

STEP 1

Place the device on a soft cloth

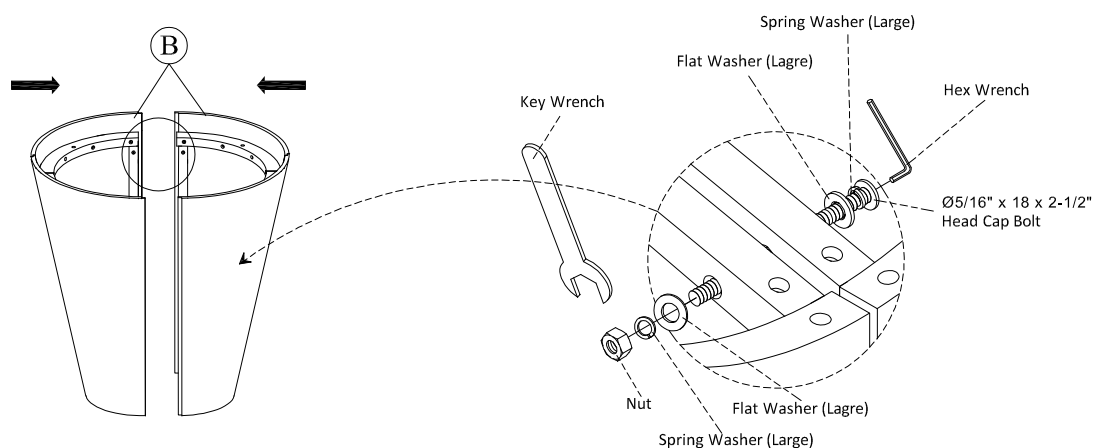
Attach the two table post pieces (B) using the flat washers (large), spring washers (large) bolts and Nut.

Repeat one more time.

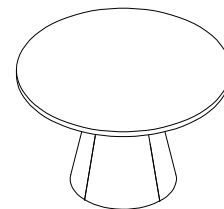


STEP 2

Combine step 1 twice together with flat washer (large), spring washer (large), bolt and nut.



This product is intended for RESIDENTIAL UES ONLY and not for commercial use.



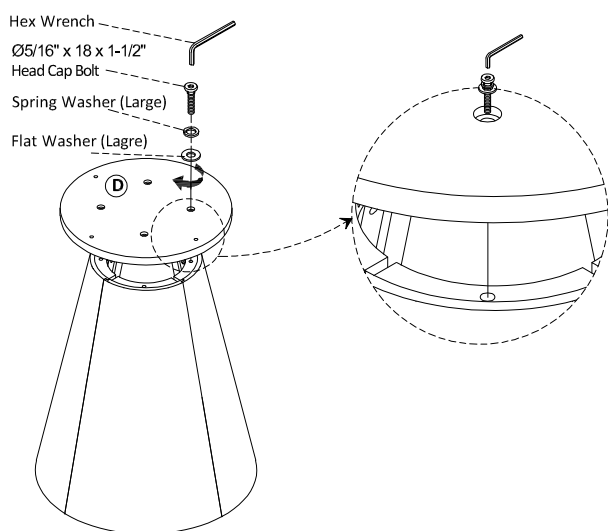
ASSEMBLY INSTRUCTIONS

IMPORTANT

- Please keep Hex Wrench and Key Wench a safe place as you may need to tighten up the Head Cap Bolts in the future.
- Use a soft doth between these parts and the floor.
- After assembly, item must be level to work properly. Use the included adjustable levelers to level.

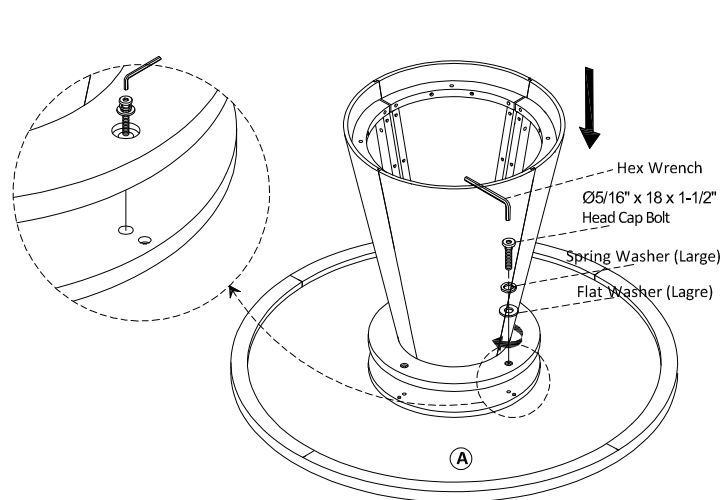
STEP 3

Attach Top Panel (D) to Step 2 with Flat Washers (large), Spring Washers (large) and Bolt



STEP 4

Attach base unit from Step 3 to Table Top (A) with Flat Washers (large), Spring Washers (large) and Bolts.



STEP 5

Attach the bottom plate to Step 4 (A) using Flat Washers (large), Spring Washers (large) and Bolts Turn the unit over to its' upright position. To level the unit, adjust the adjustable levelers on the bottom of unit. (See Figure 1)

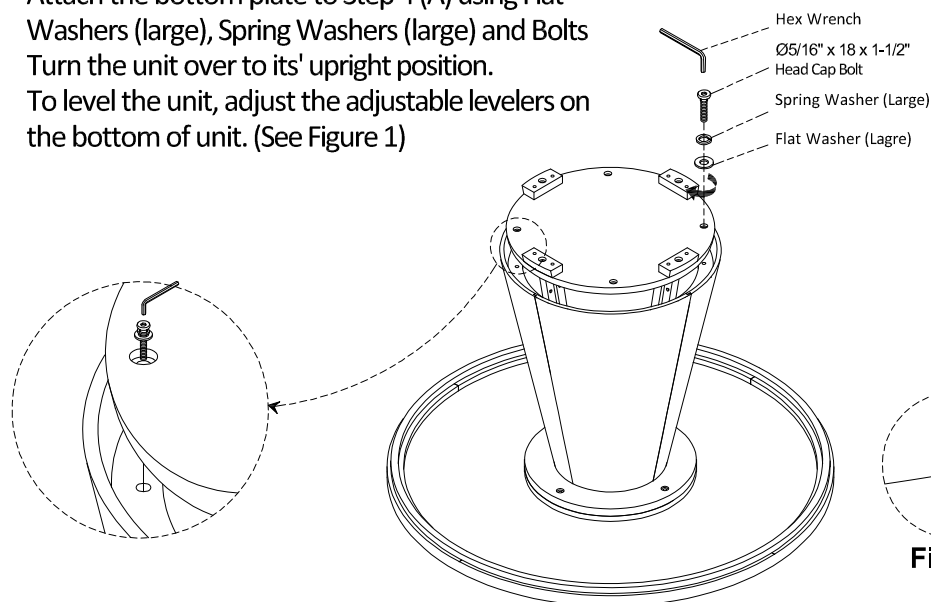


Figure 1

ASEMBLY COMPLETED

Please ensure the furniture rests on an even and flat surface.

- ✓ if the product wobbles or feels loose, double-check all bolts and/or screws are properly tightened and secured.

✓ Keep this handy!

Please retain this instruction manual and any order-related information for future reference.

✓ Lift, don't drag!

To avoid damage to product please always LIFT the product when transporting or adjusting the placement

This product is intended for RESIDENTIAL USE ONLY and not for commercial use.