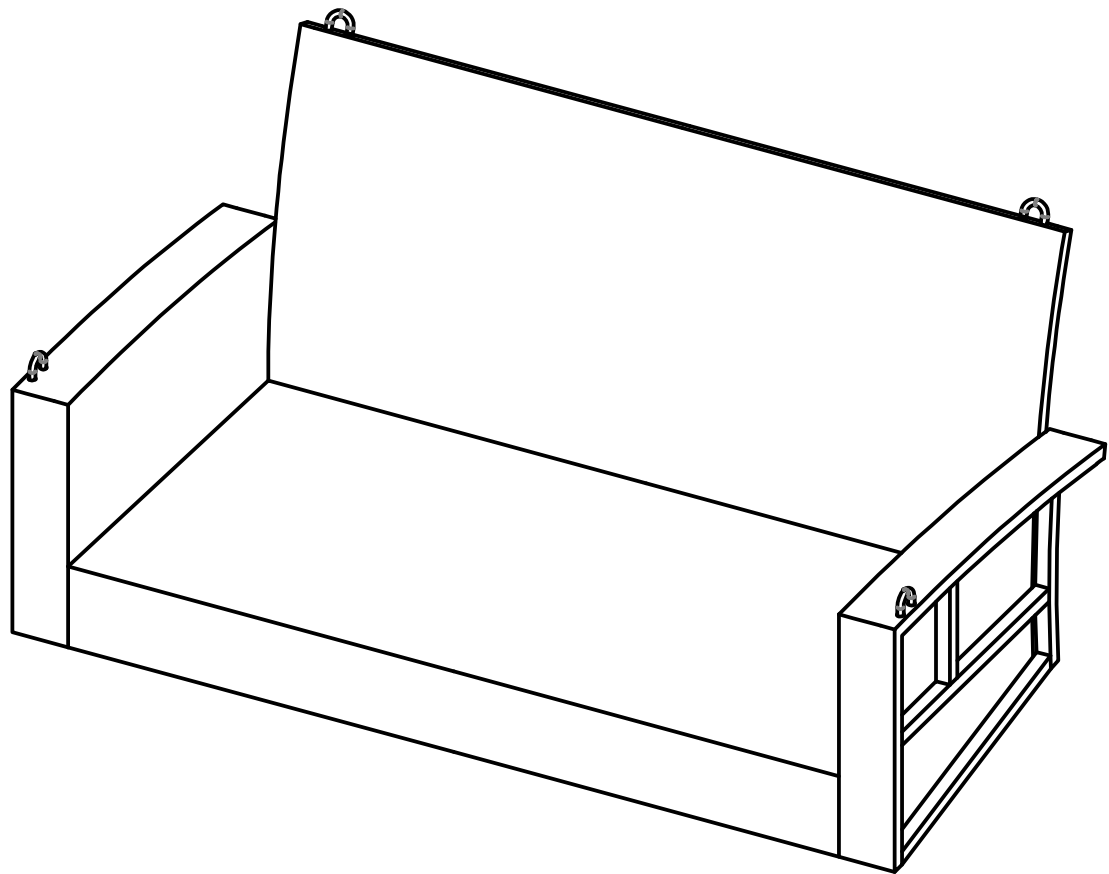
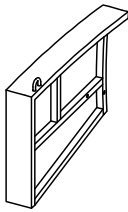


ASSEMBLY INSTRUCTION

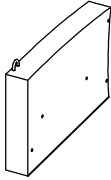


PART LIST

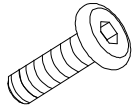
A x 1



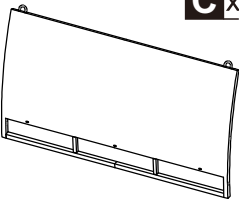
B x 1



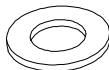
E x 13



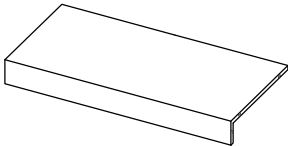
C x 1



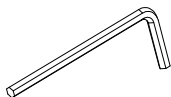
F x 13



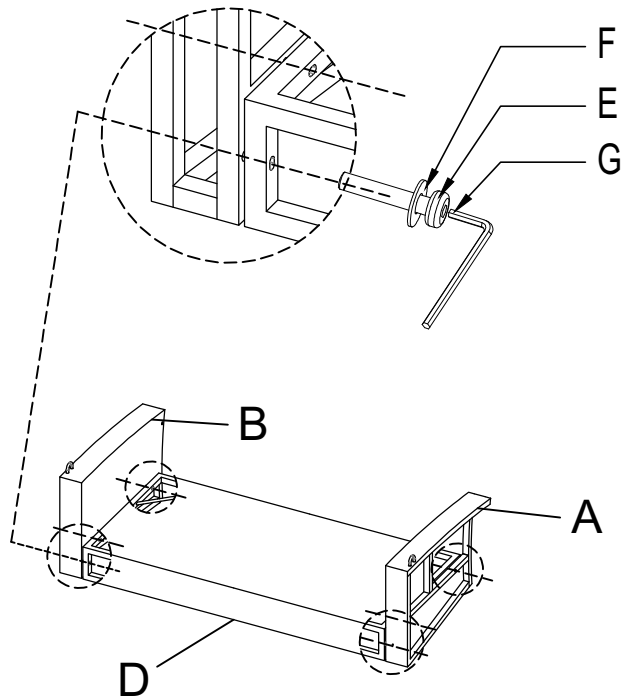
D x 1



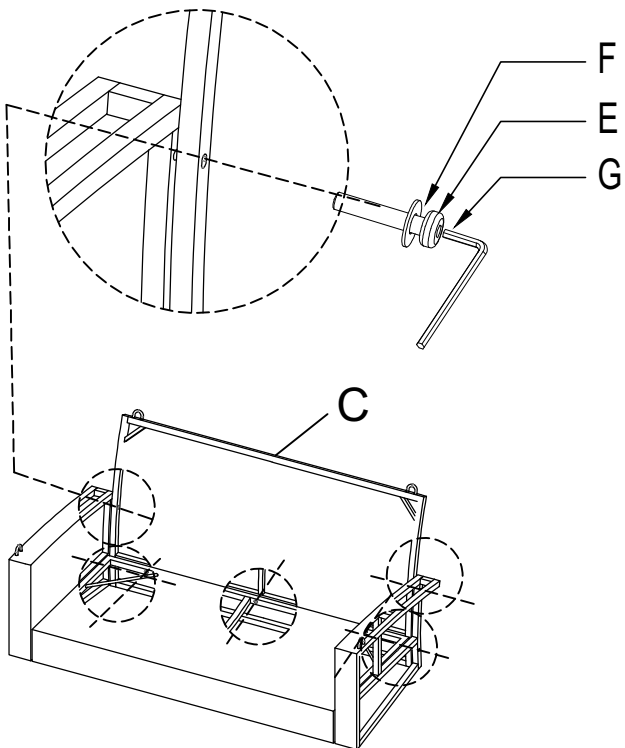
G x 1



01



02



done

