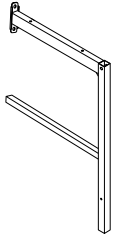
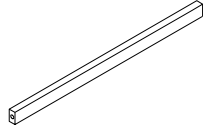


ASSEMBLY INSTRUCTION

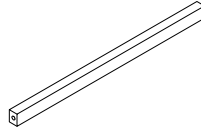
PART LIST:



A: Chair Leg Frame
L & R
2PCS



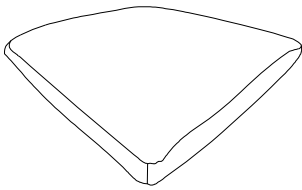
B: Upper Front Rail
1PC



C: Chair Stretcher
1PC



D: Chair Back
1PC



F: Seat Cushion
1PC

HARDWARE LIST:



1 : Bolt
1/4"-20X 16mm
4PCS



2 : Bolt
1/4"-20X 43mm
6PCS



3 : Bolt
M5 X 58mm
4PCS



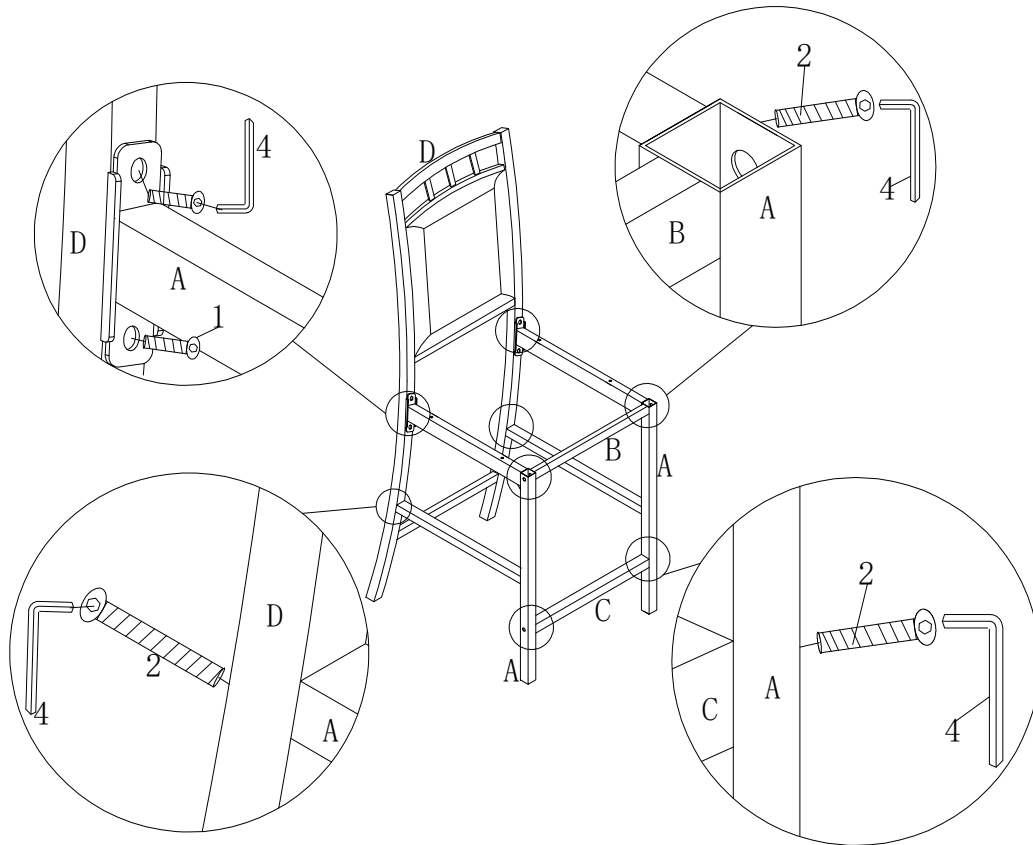
4 : 4mm
1PC



5 : Not Provide

NOTE: PLEASE DO NOT TIGHTEN ALL BOLTS UNTIL THE BED IS ASSEMBLED COMPLETELY.

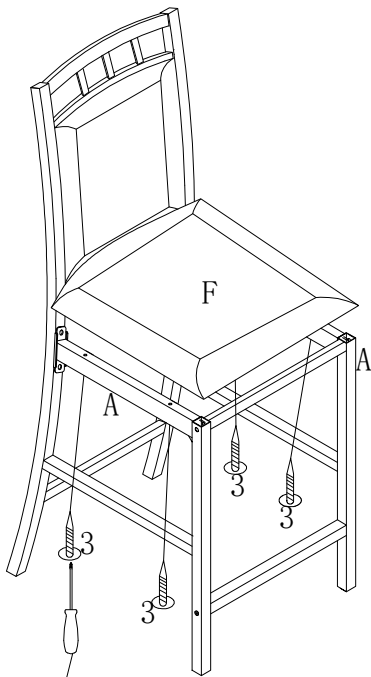
STEP 1:



Hardware 1: 4 pcs
Hardware 2: 6 pcs

STEP 2:

COMPLETED:



Not Provide

Hardware 1: 4 pcs



! For items use on wooden floor, hard surfaces or carpets, it is recommended to install protective pads under all legs and supports to avoid/prevent from damages/scratches and discoloration.