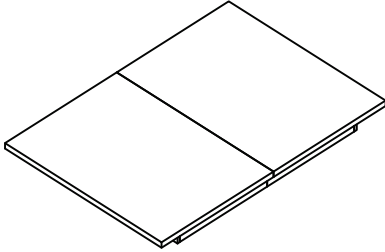


ASSEMBLY INSTRUCTION

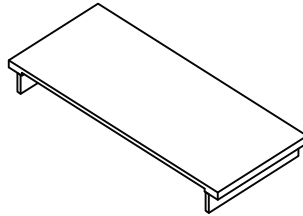
MODEL: # D21 & D22-DINING TABLE

DO NOT FULLY TIGHTEN BOLTS UNTIL THE ENTIRE ITEM IS COMPLETELY ASSEMBLED

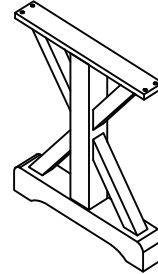
A=1PC



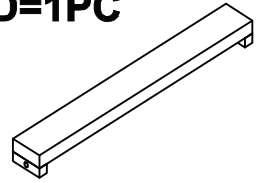
B=1PC



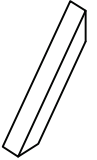
C=2PCS







D=1PC

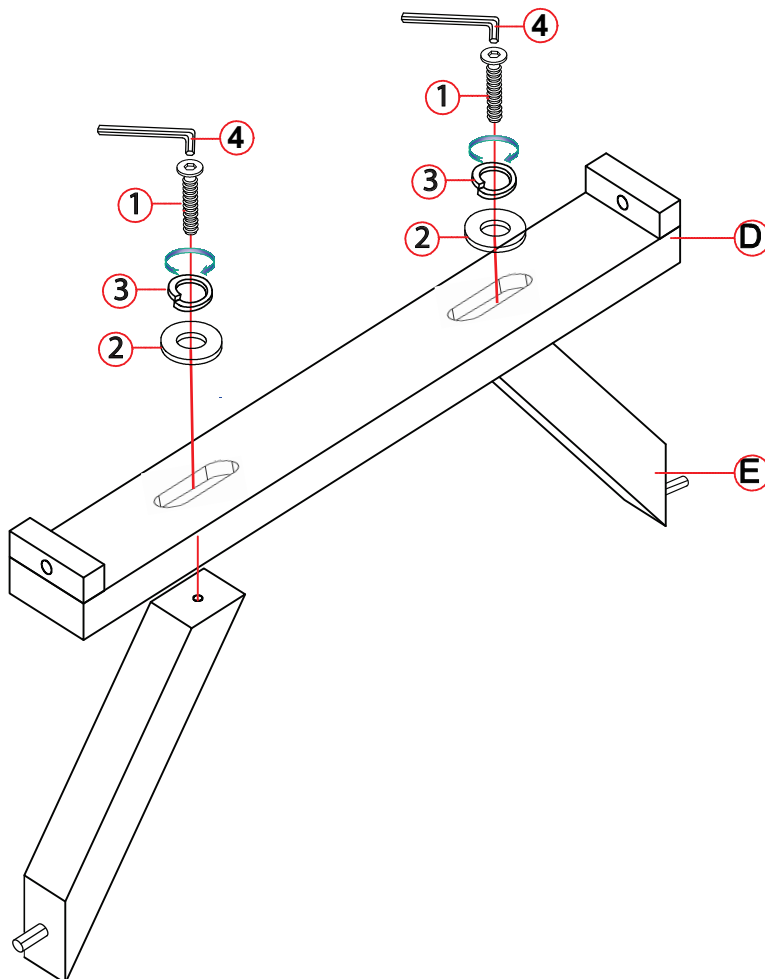


E=2PCS

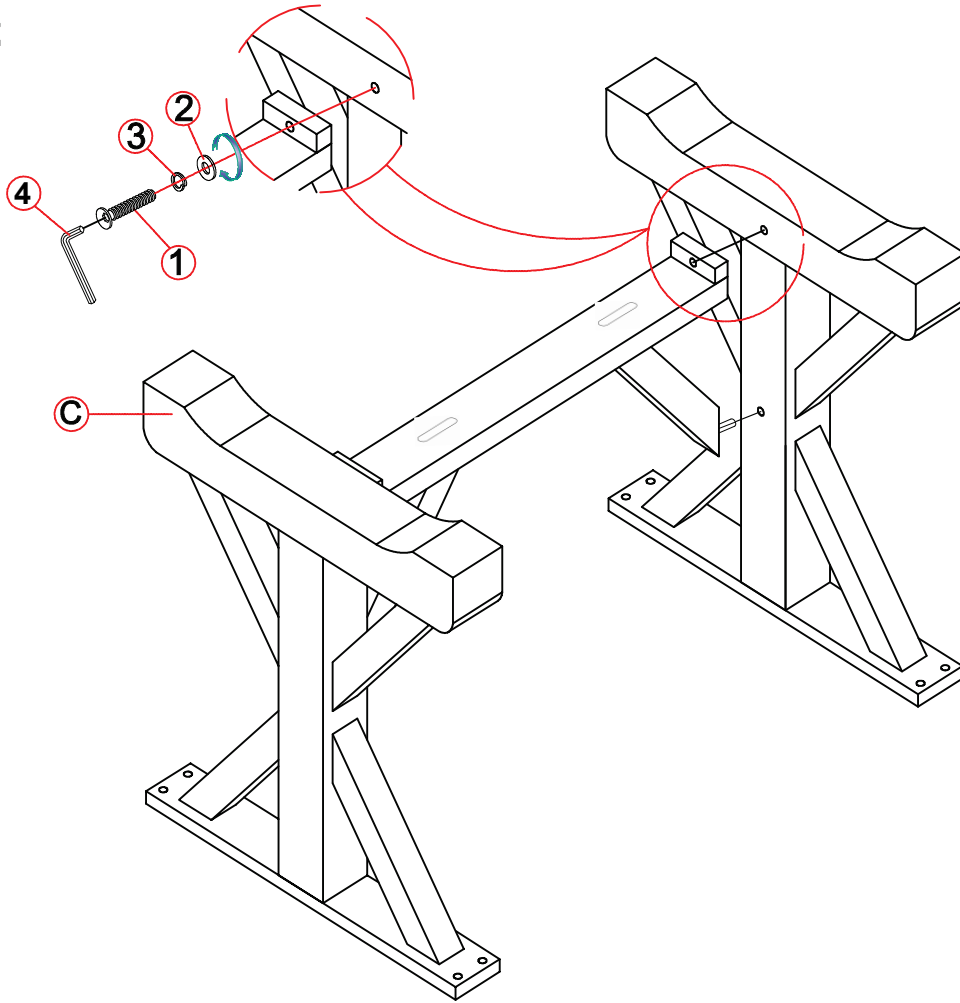


No.	Description.	Q.Ty
1	BOLT Ø 1/4" x 45mm	 12 Pcs
2	FLAT WASHER	 12 Pcs
3	SPRING WASHER	 12 Pcs
4	ALLEY KEY	 1 Pc

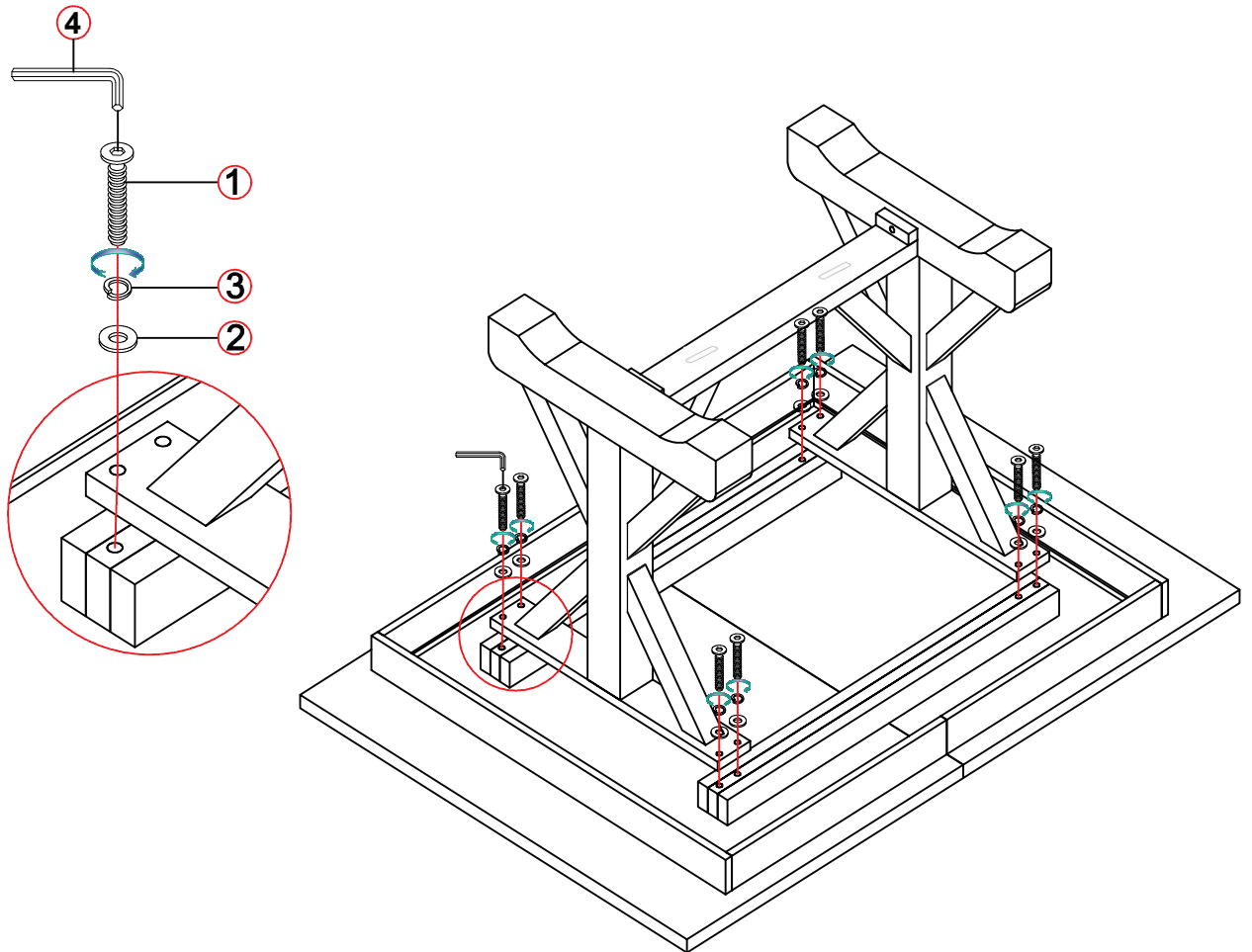
STEP 1



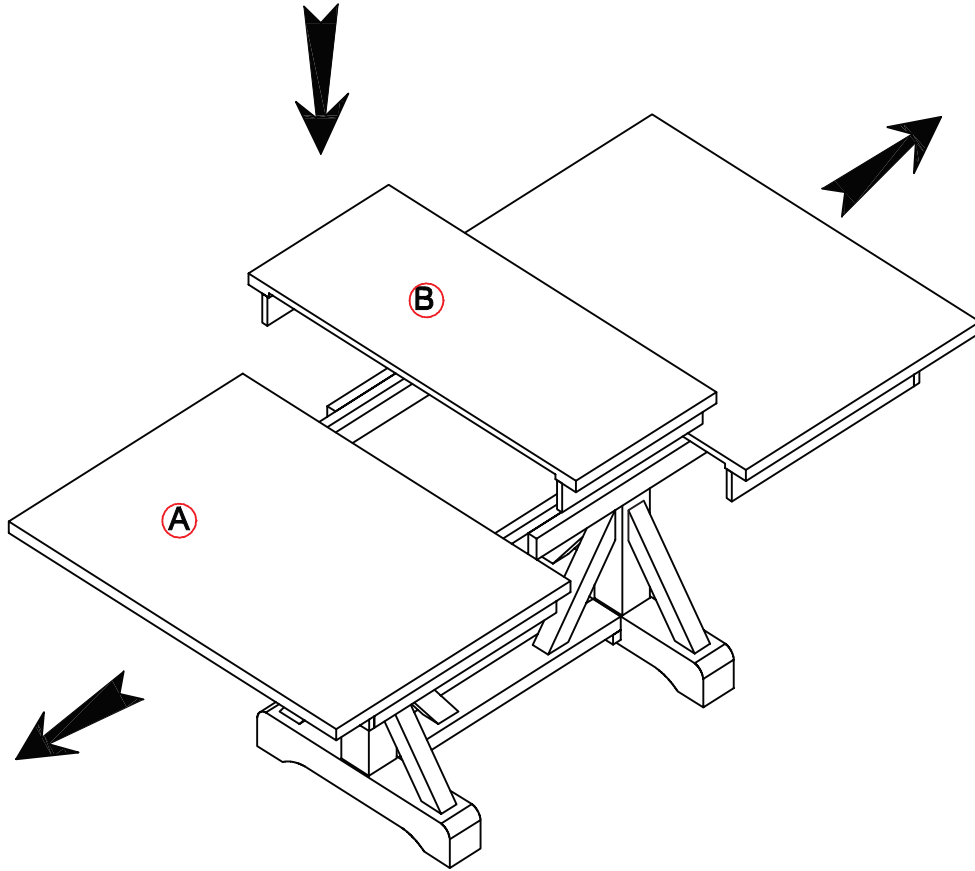
STEP 2



STEP 3



STEP 4



COMPLETE

