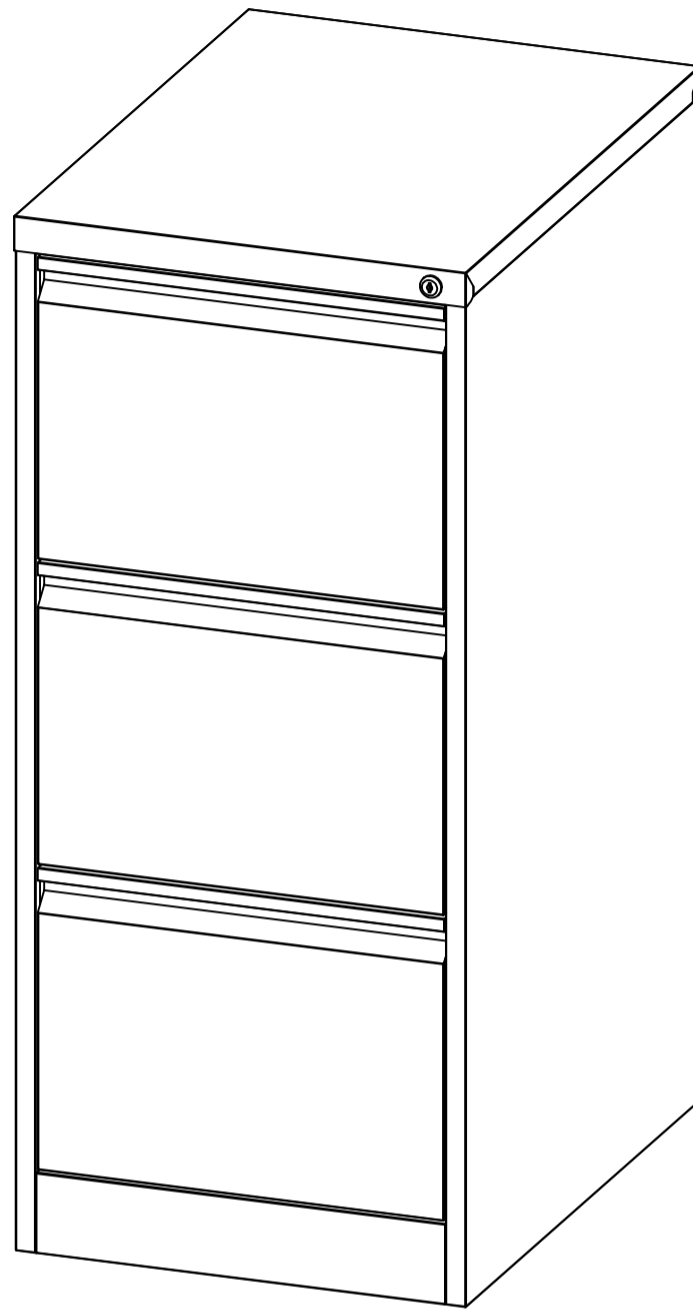
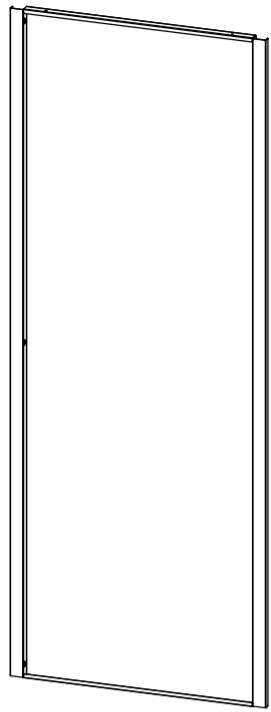


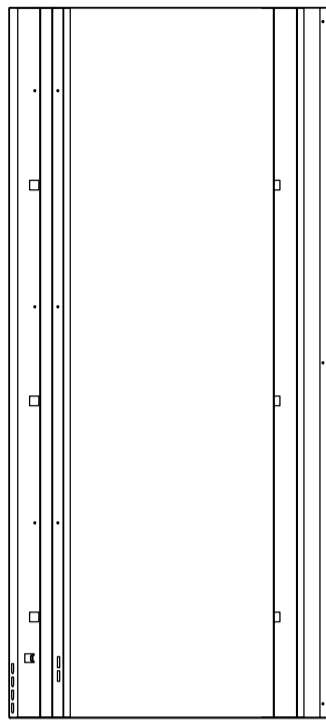
# VERTICAL FILE CABINET ASSEMBLY INSTRUCTIONS



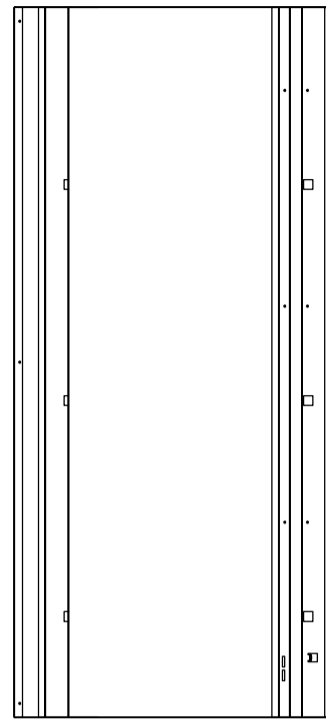
**NOTE:**The assembling task can be performed by one person but availability of a second person will make the task simpler.



A:Backboard



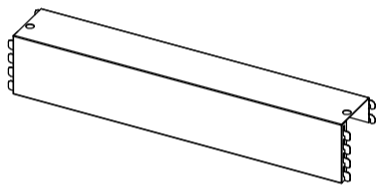
B:Left side



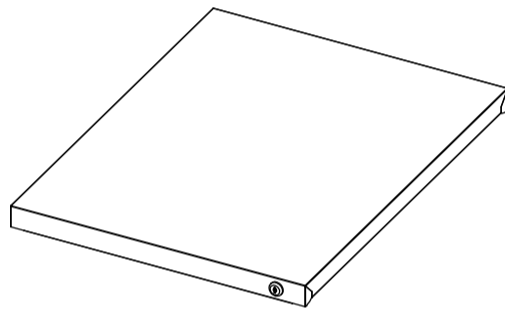
C:Right side



E:lock rod



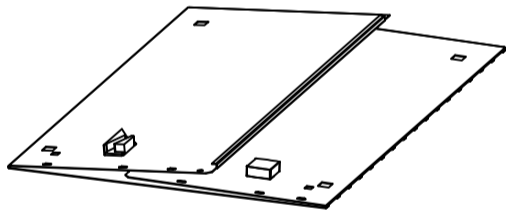
D:Bottom rail



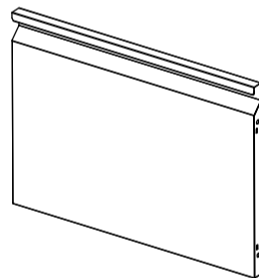
E:Top plate



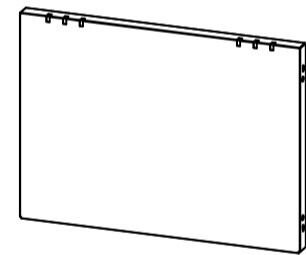
G:pull rod \*2



H:Drawer body \*3

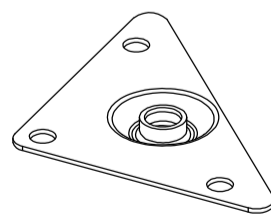
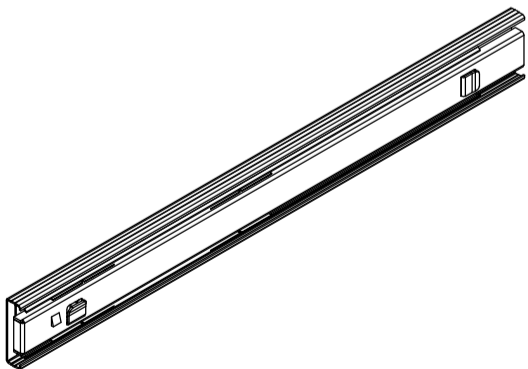


I:Drawer panel \*3



J:Drawer Inside panel \*3

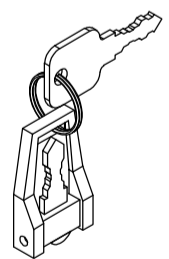
L:Left side rail \*3



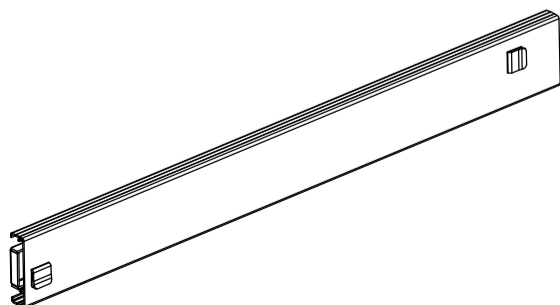
Y:Triangular fixing board \*4



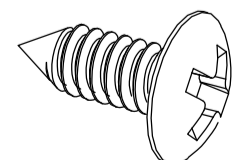
K:Folder adjusting plate \*3



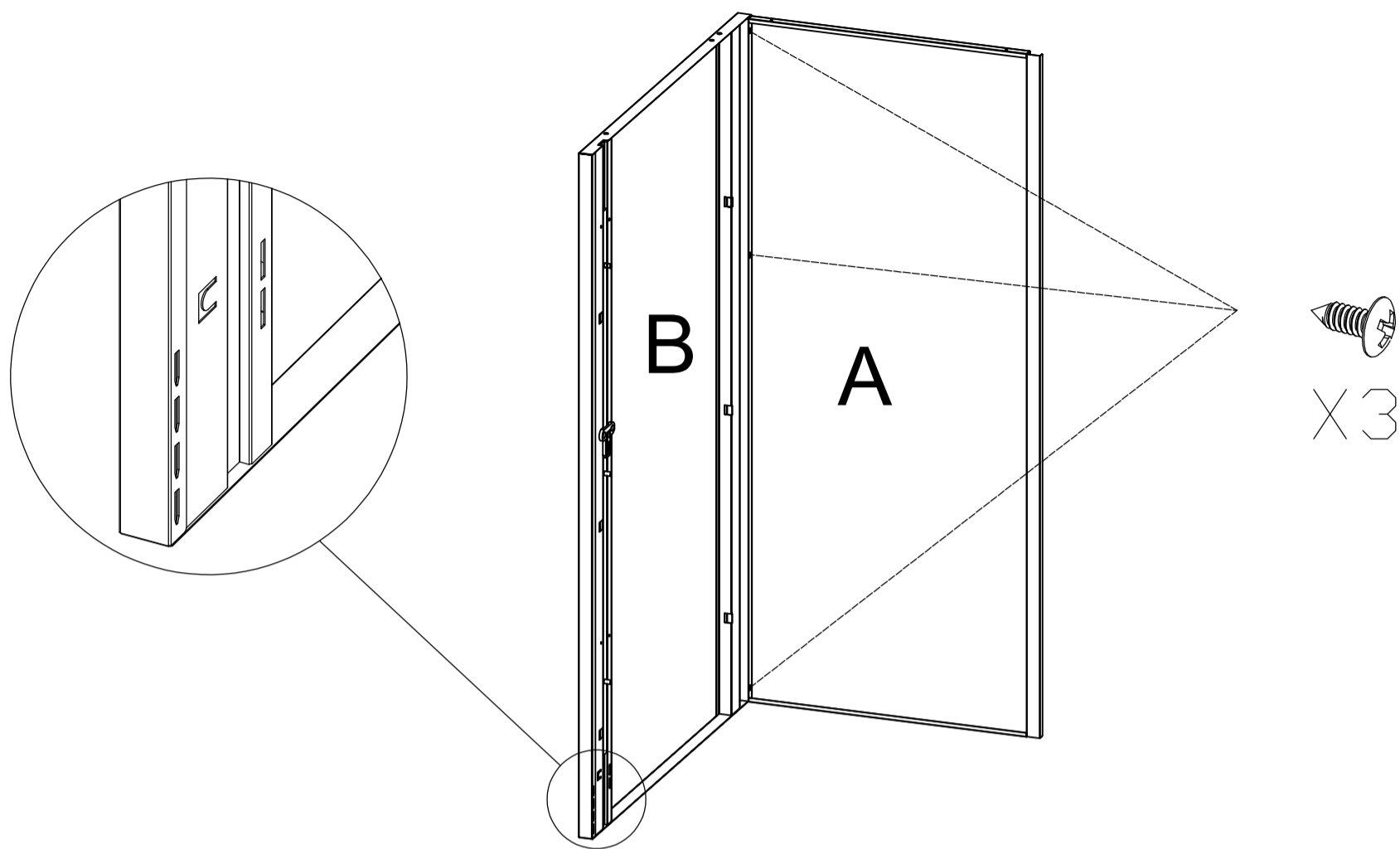
X:Key



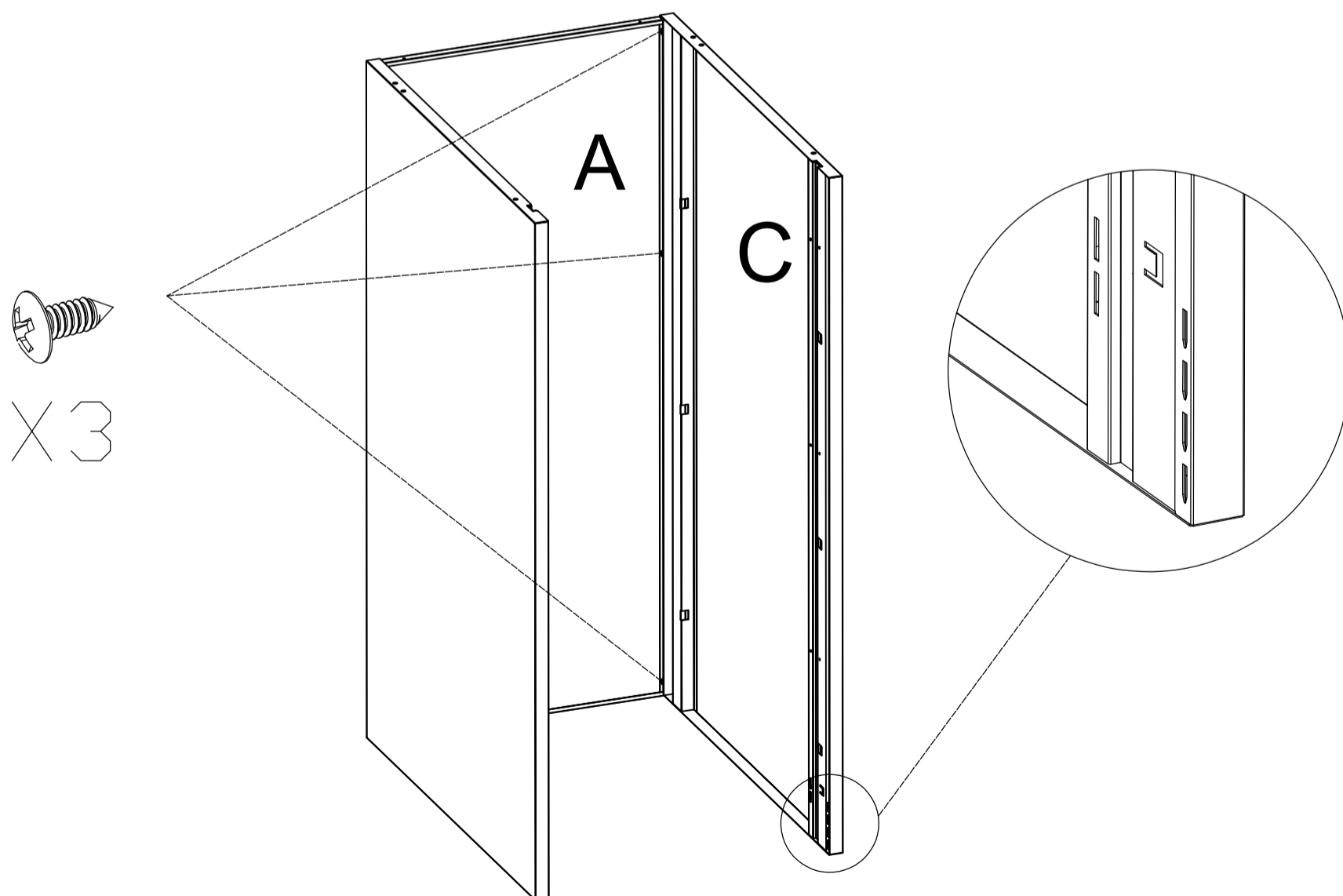
M:Right side rail \*3



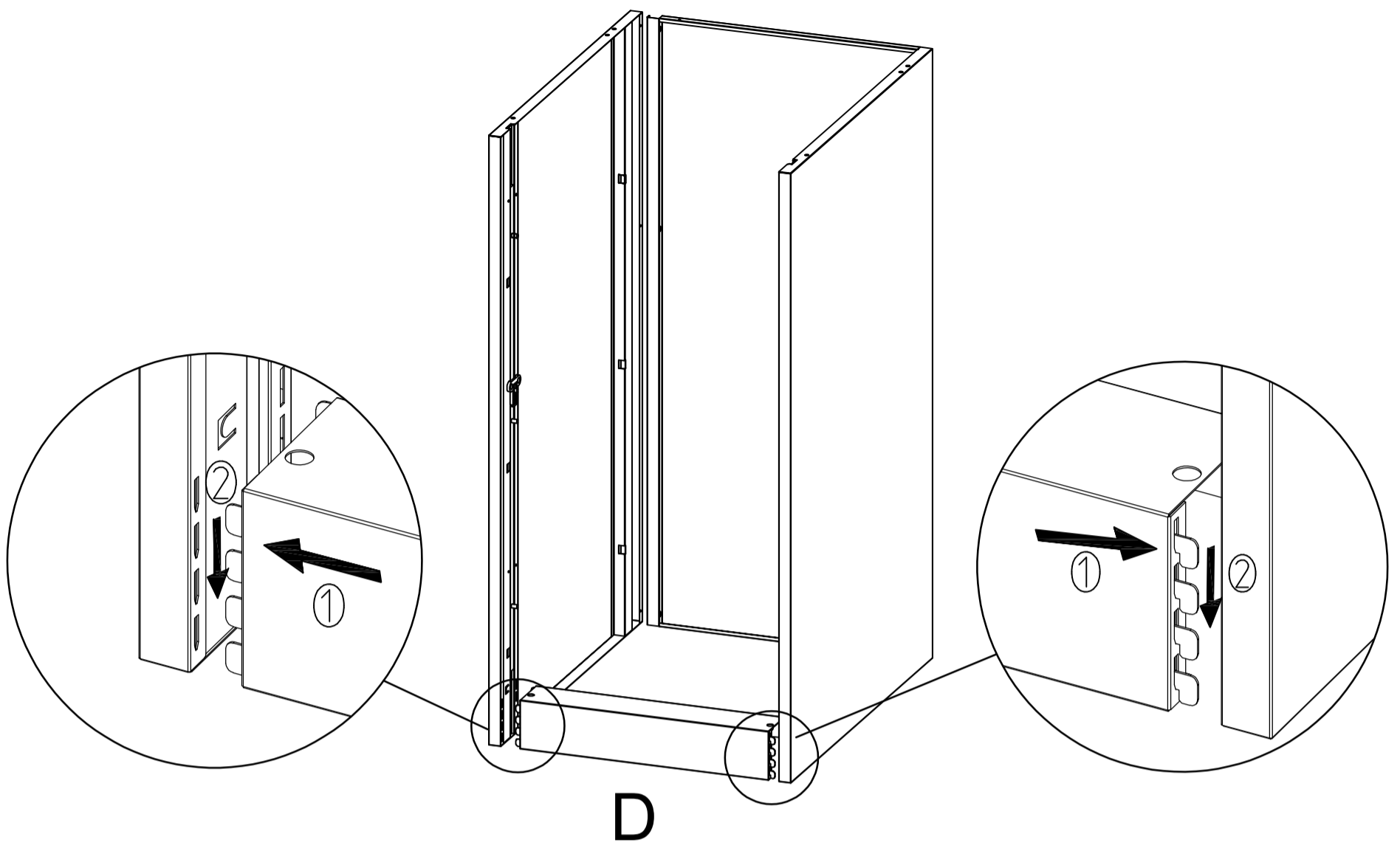
Z:Self-tapping yarn \*44



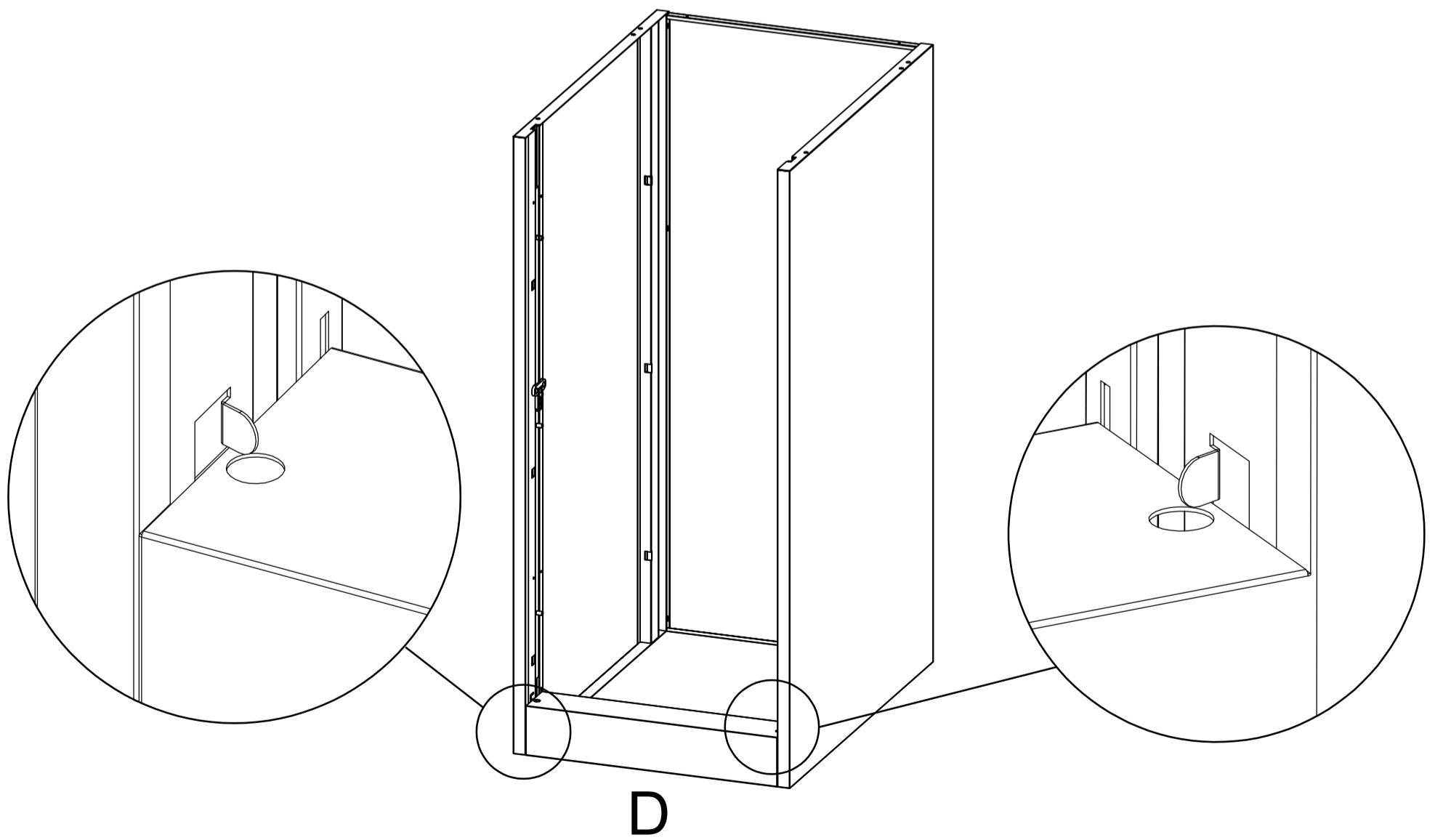
1. Assemble A and B, secure with screw Z



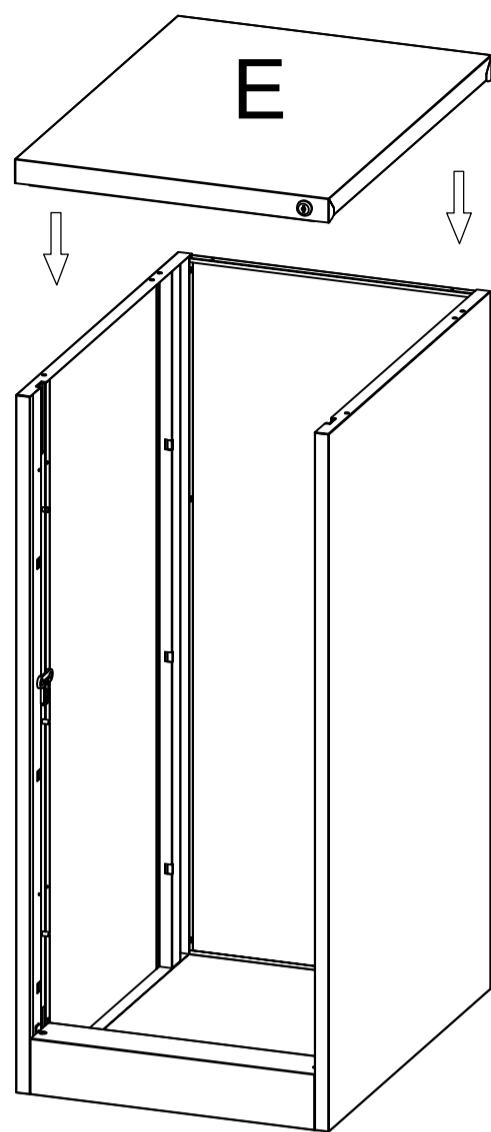
2. Assemble A and C, secure with screw Z



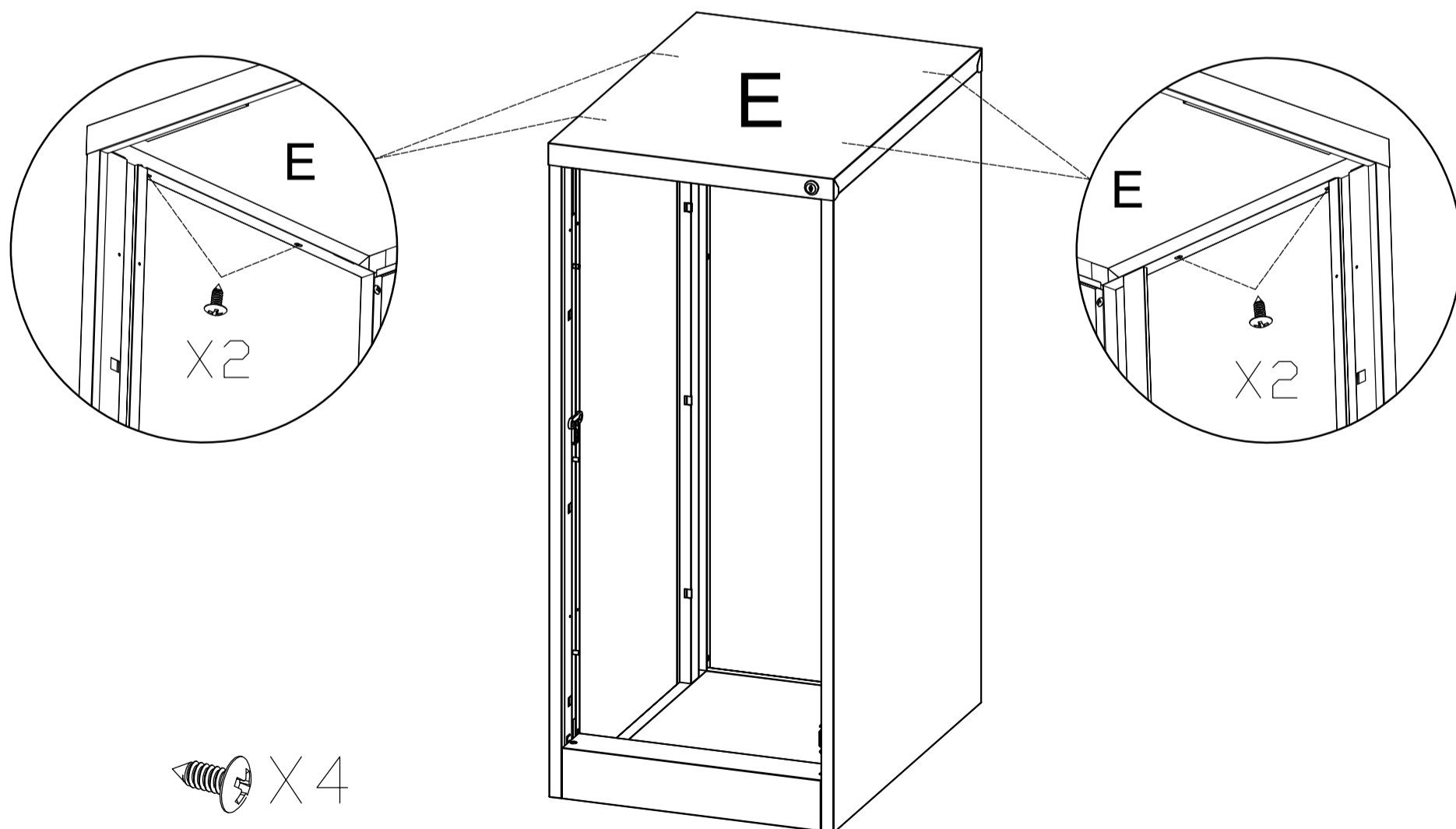
### 3. Install D



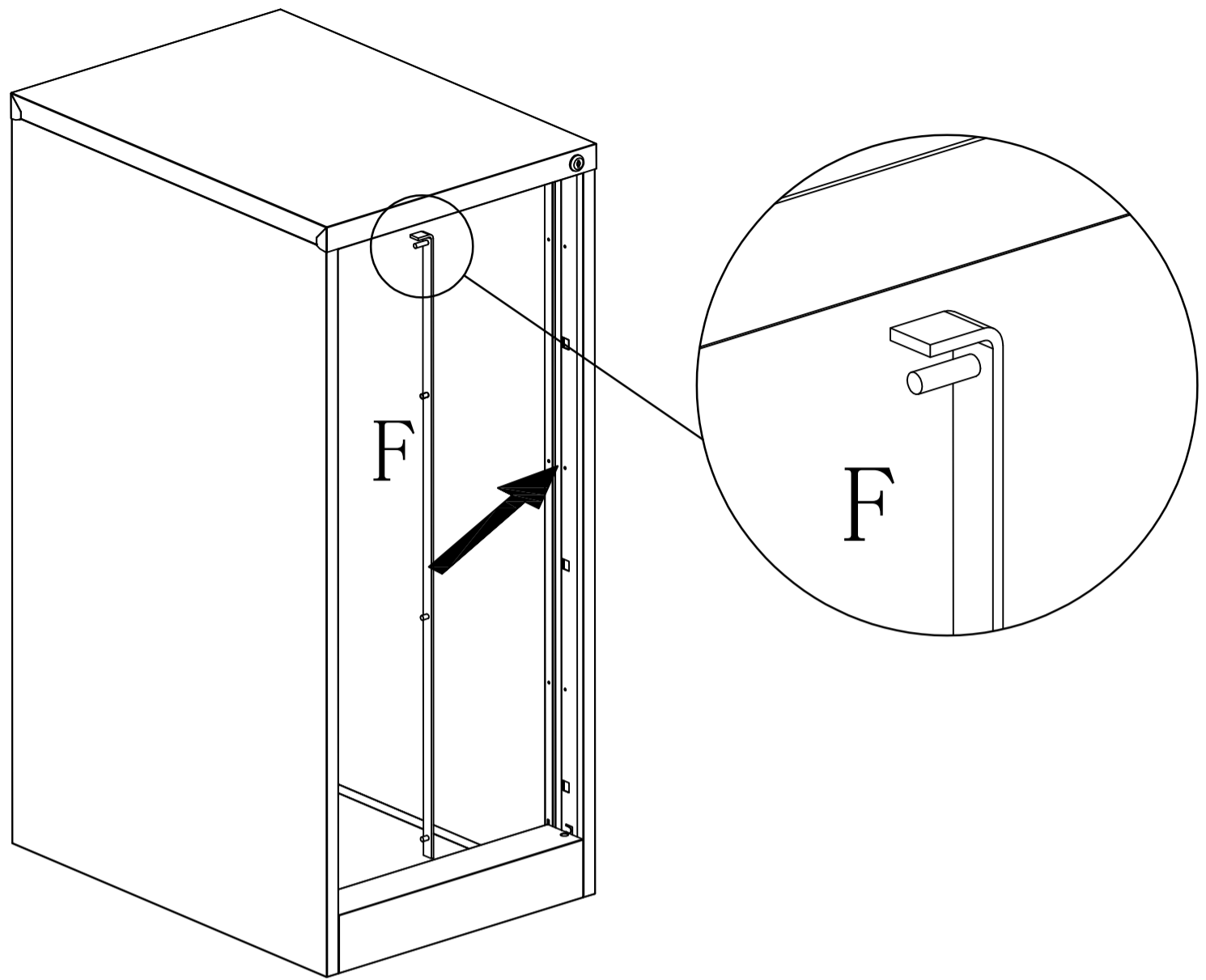
### 4. Open baffle



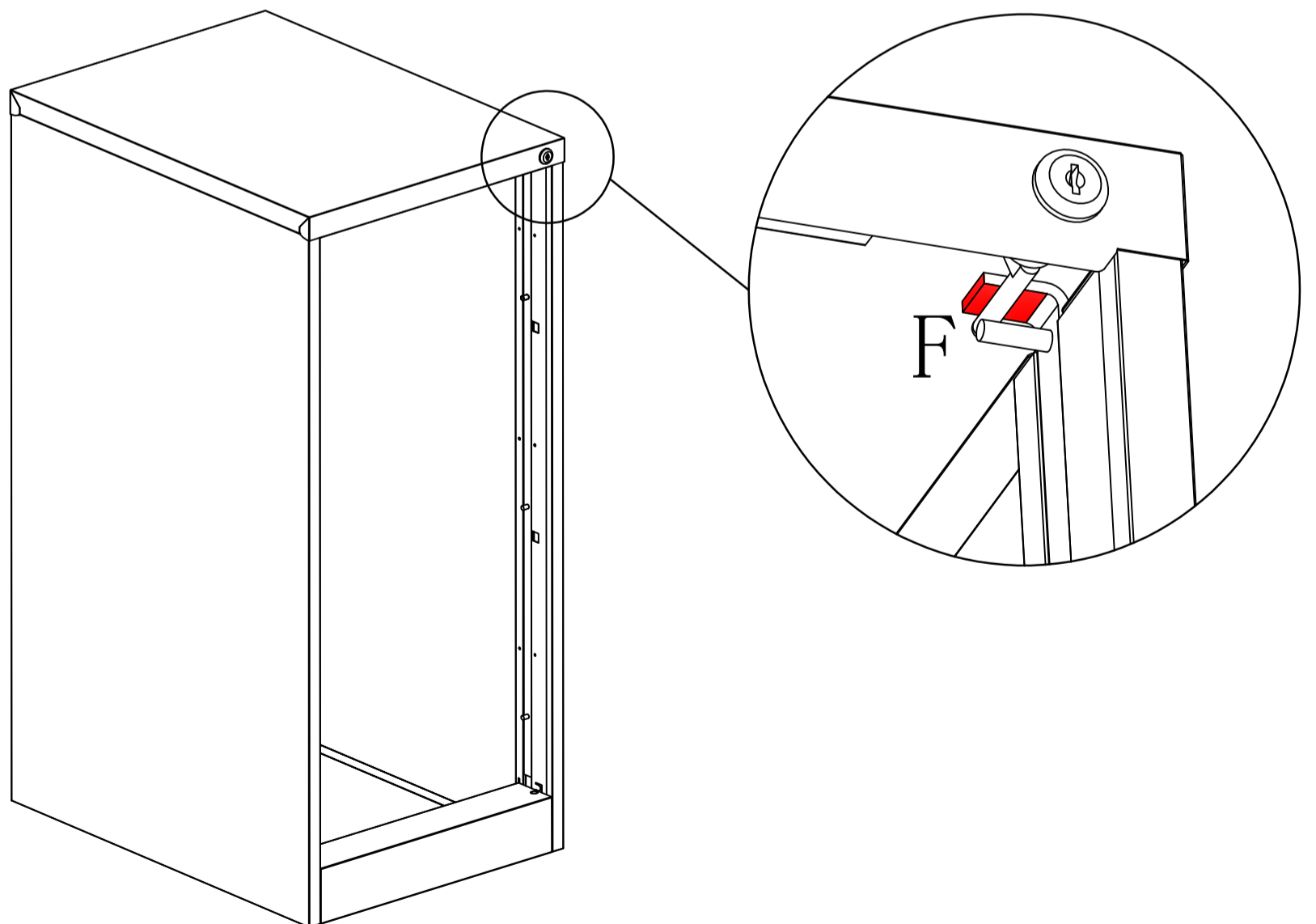
5. Install E



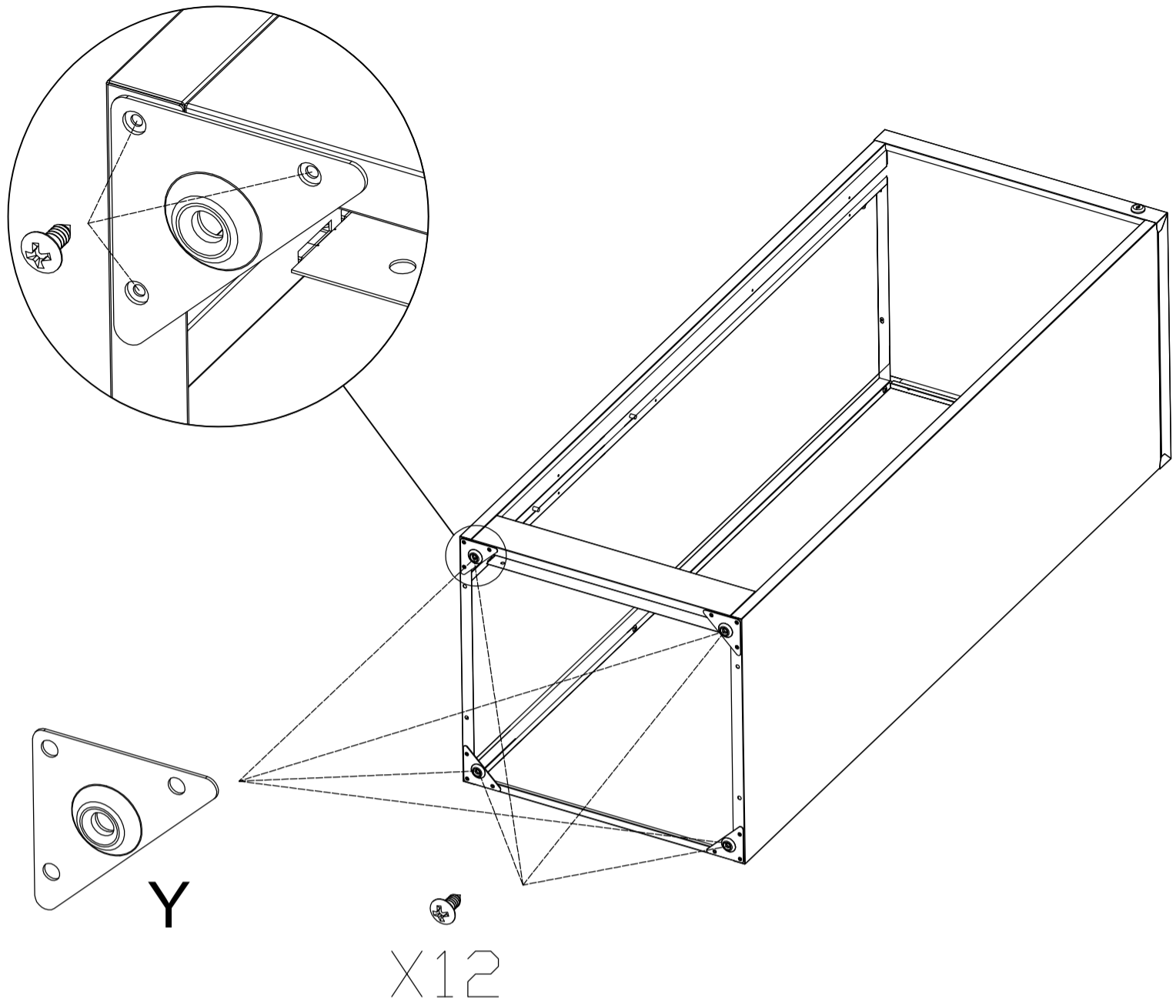
6. Secure with screw Z



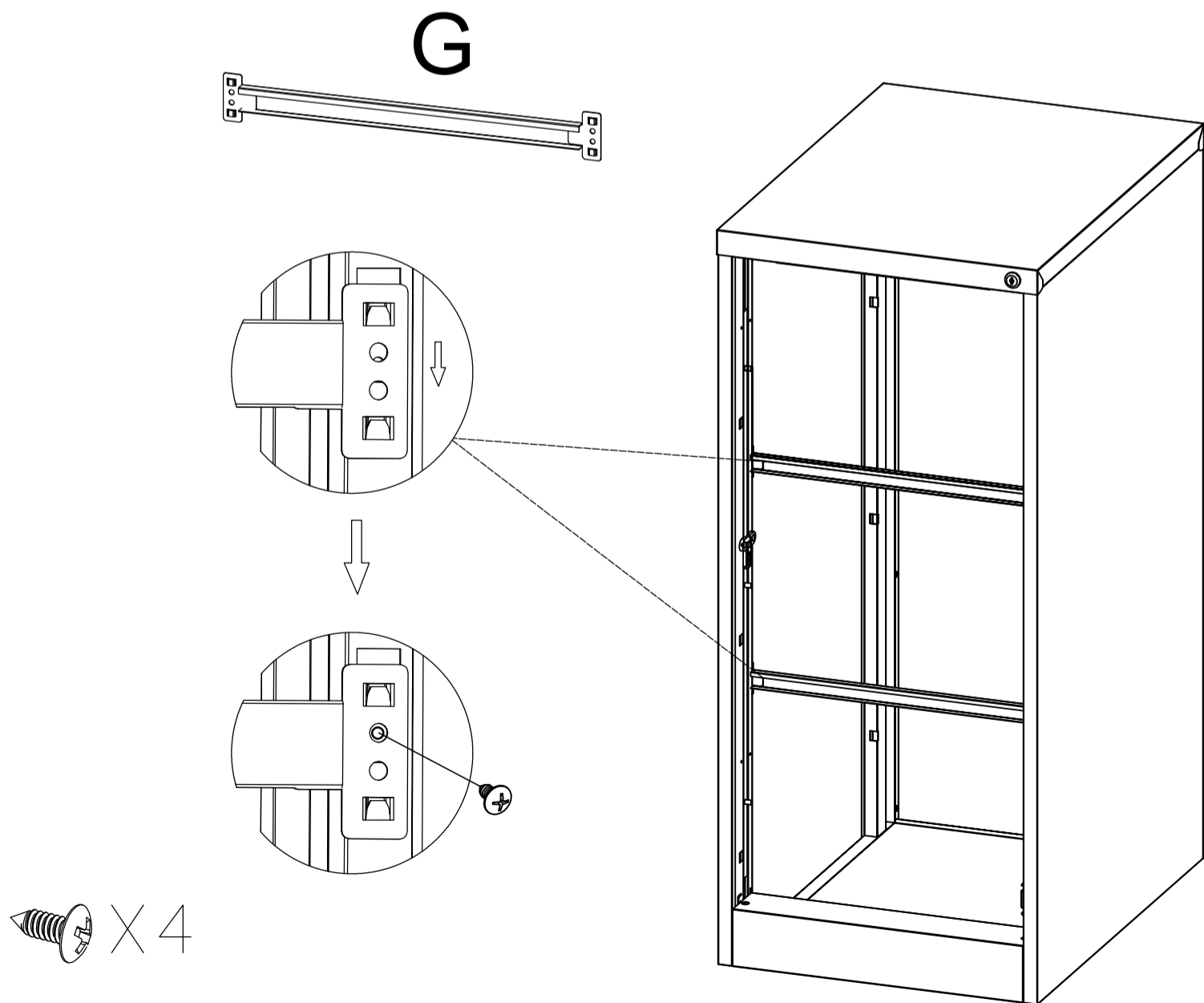
7. Install F



8. F Hook the lock

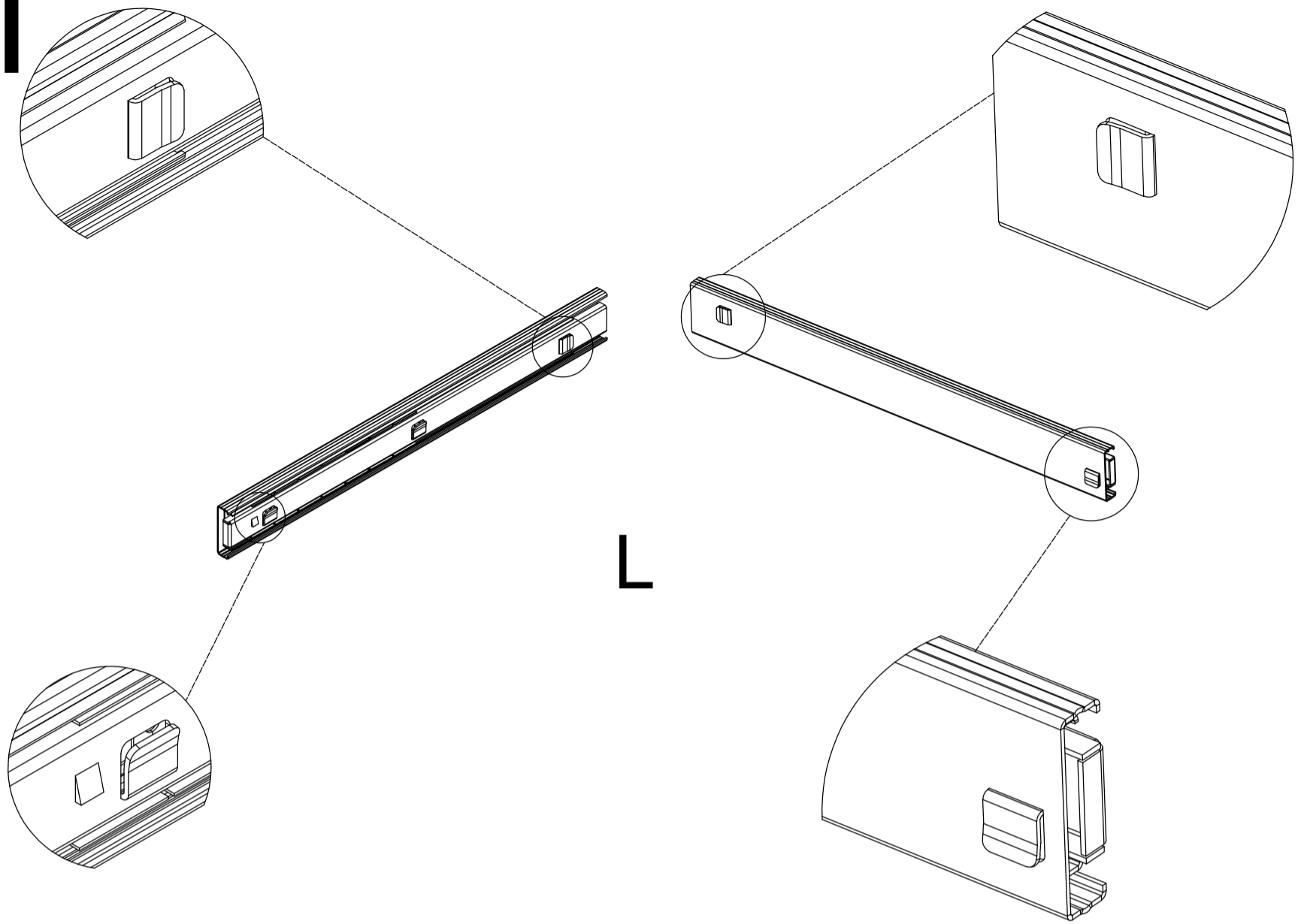


9. Install Y, secure with screw Z



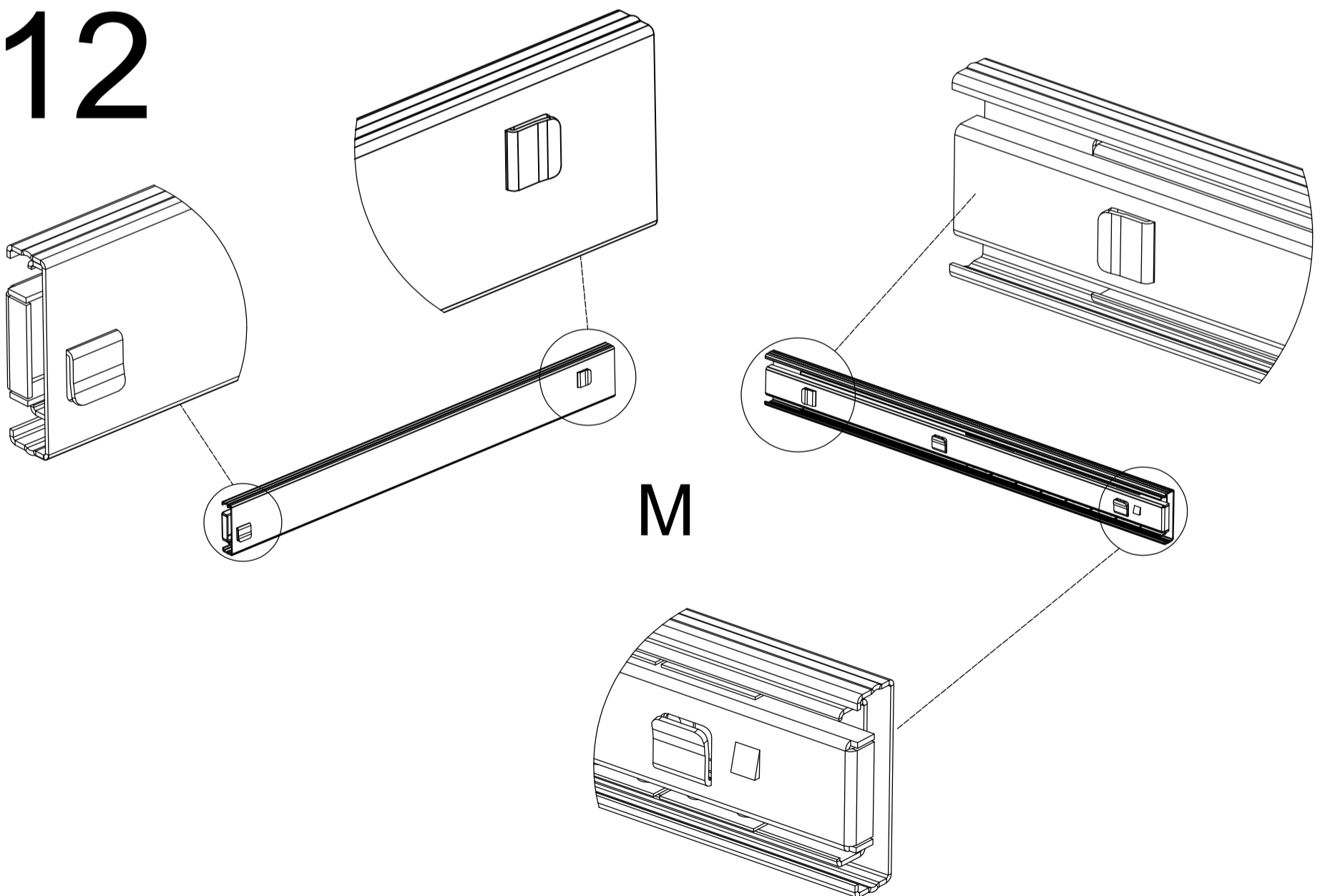
10. Install G, secure with screw Z

# 11

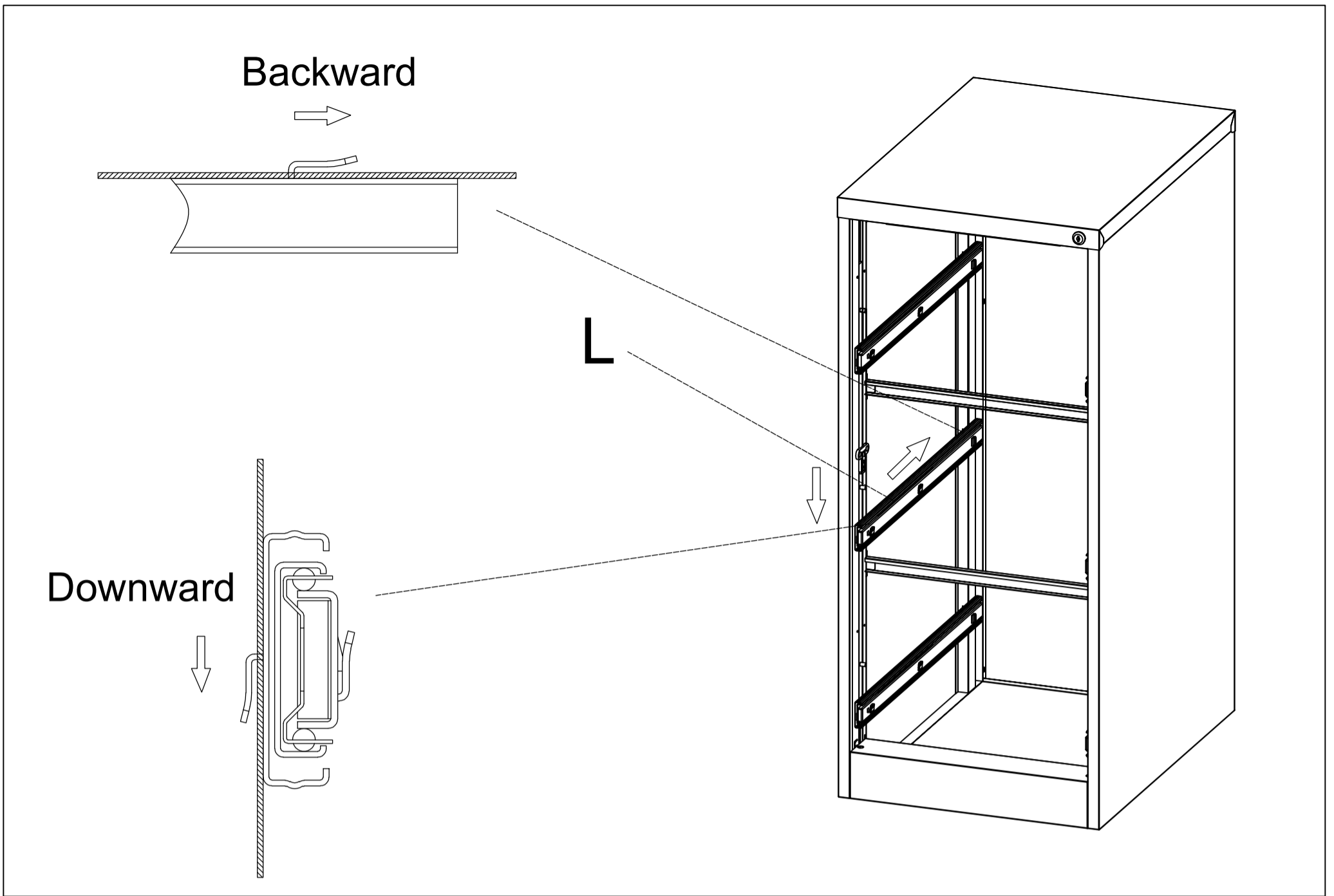


11. Left side rail L

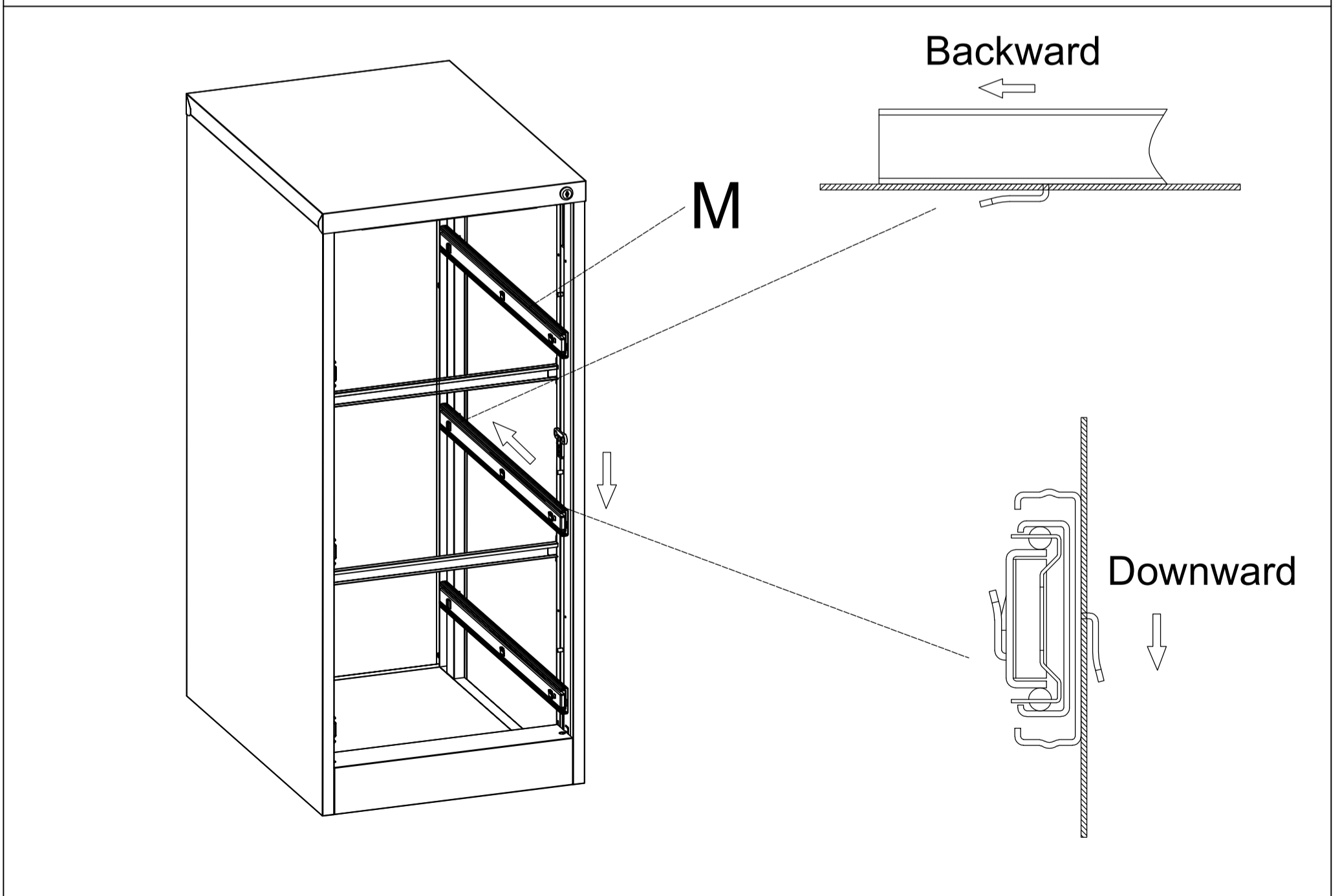
# 12



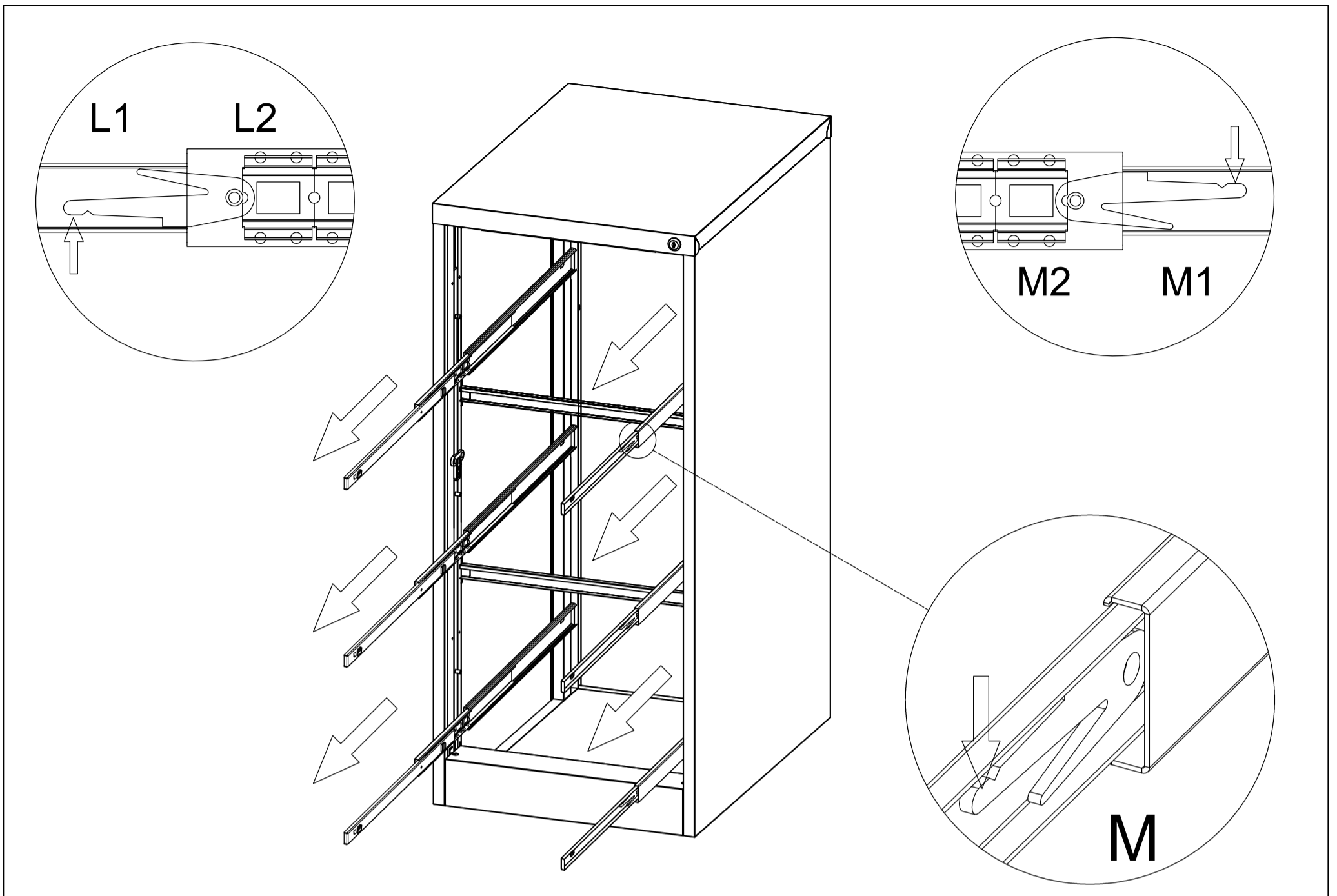
12. Right side rail M



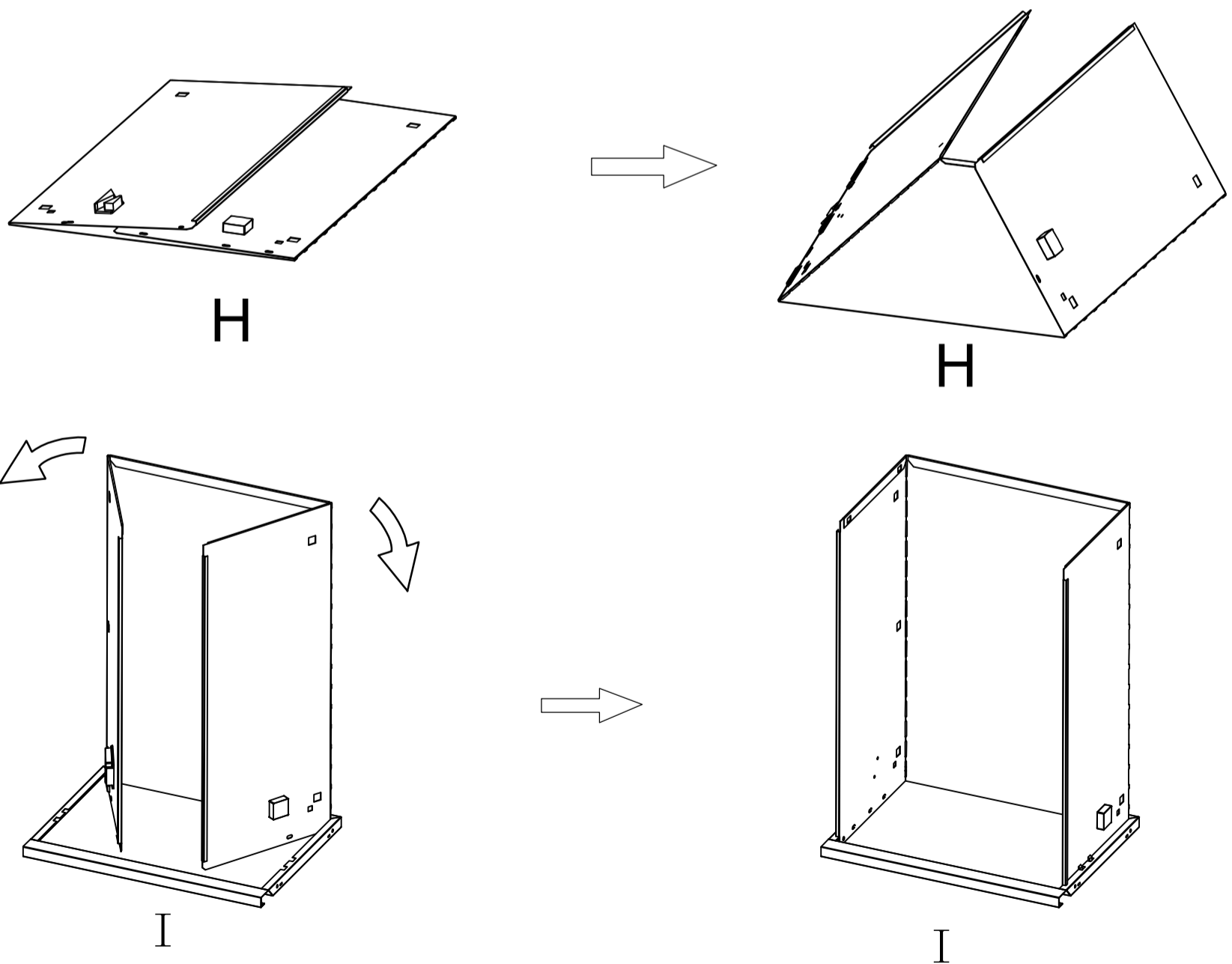
13. Install L



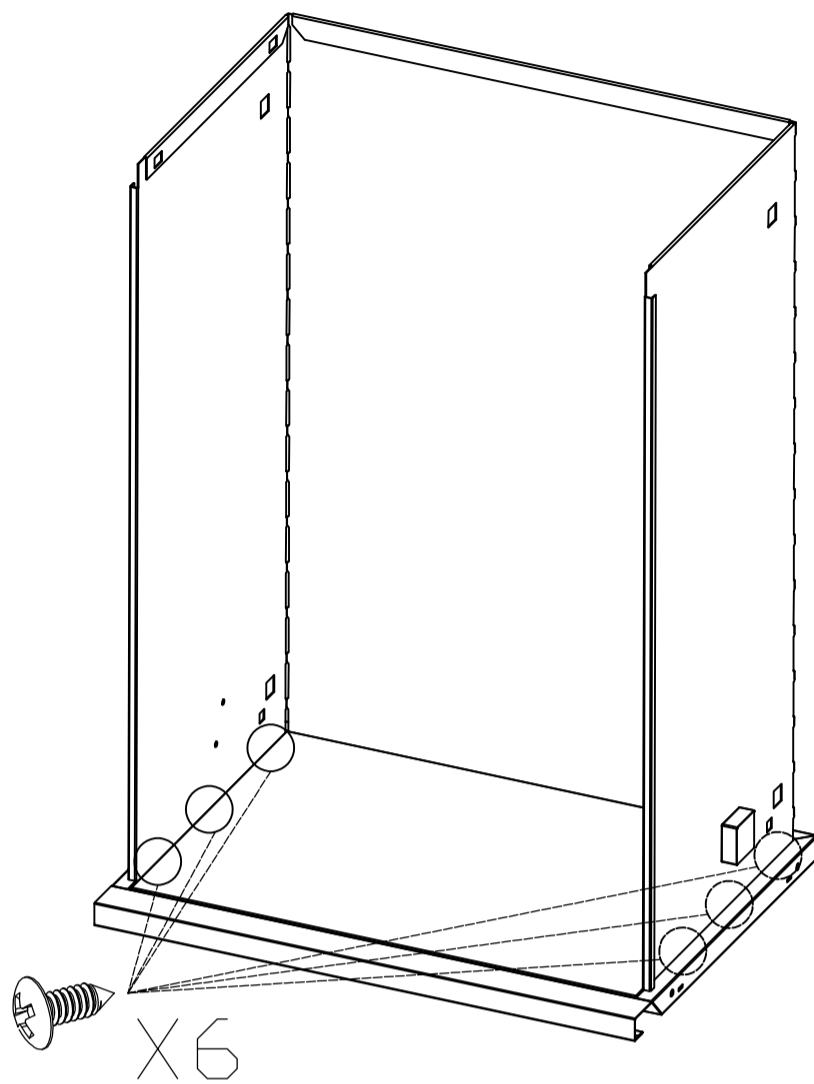
14. Install M



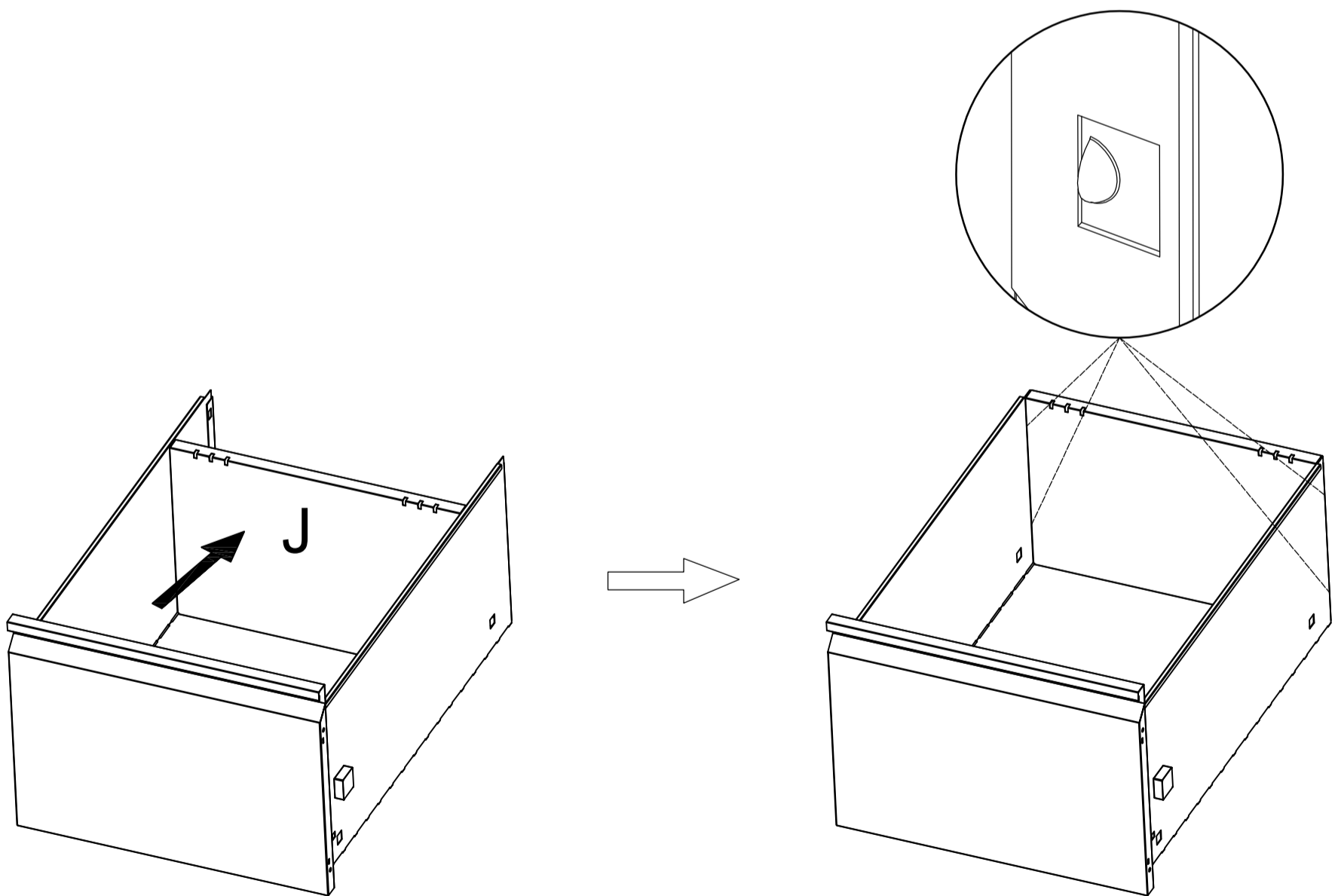
15. Divide the slide rail into L1(M1) and L2(M2)



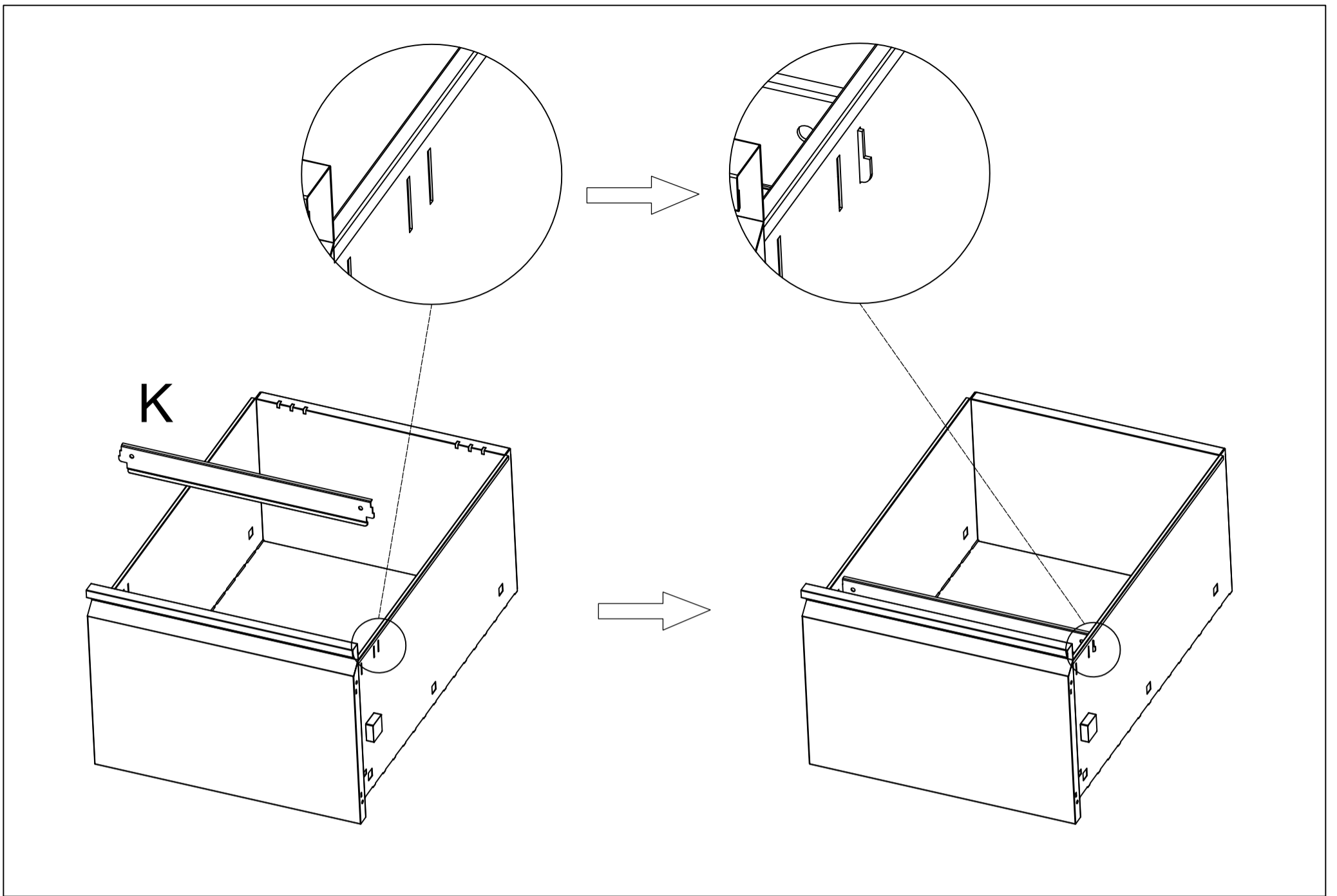
16. Assemble H and I,



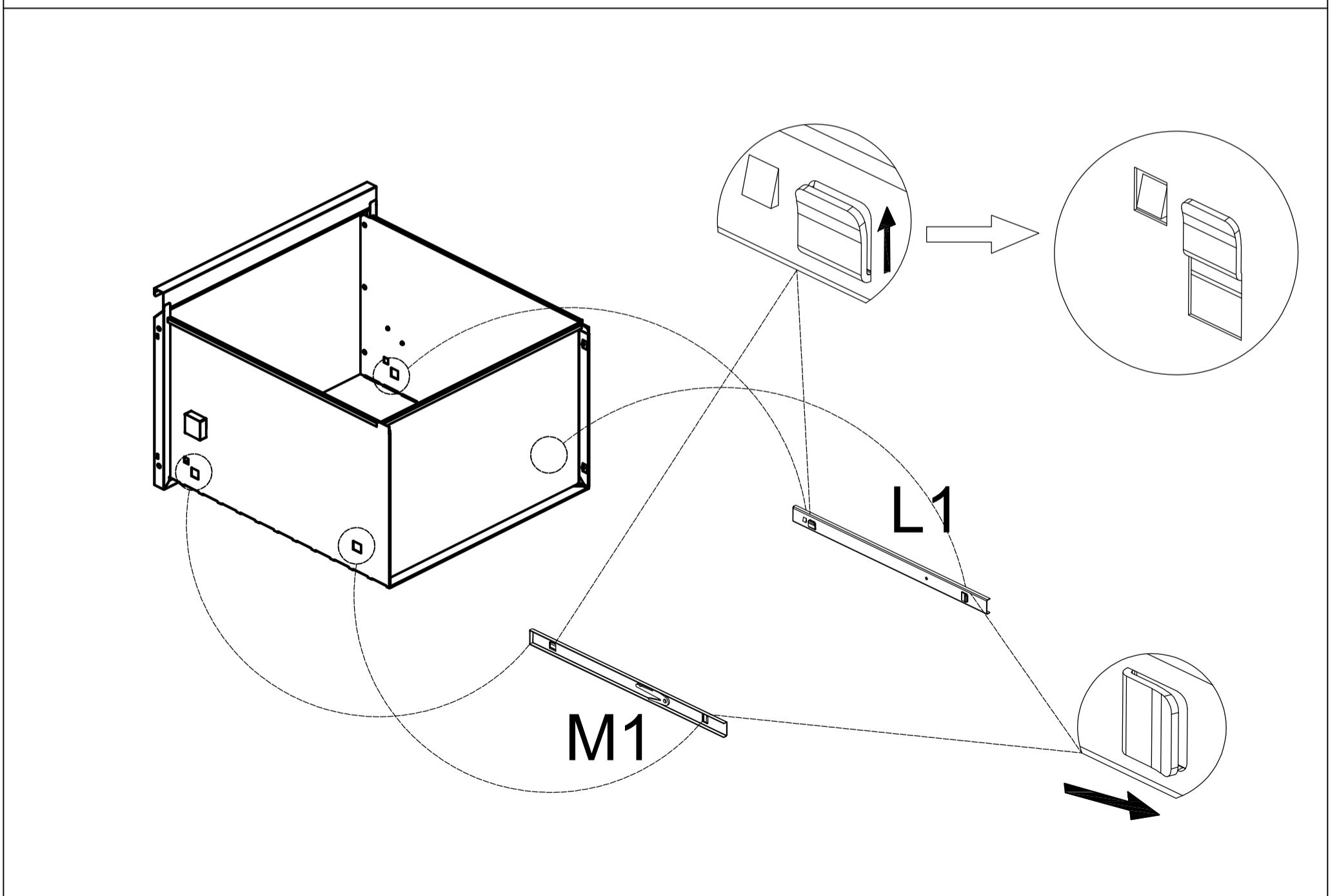
17. Secure with screw Z



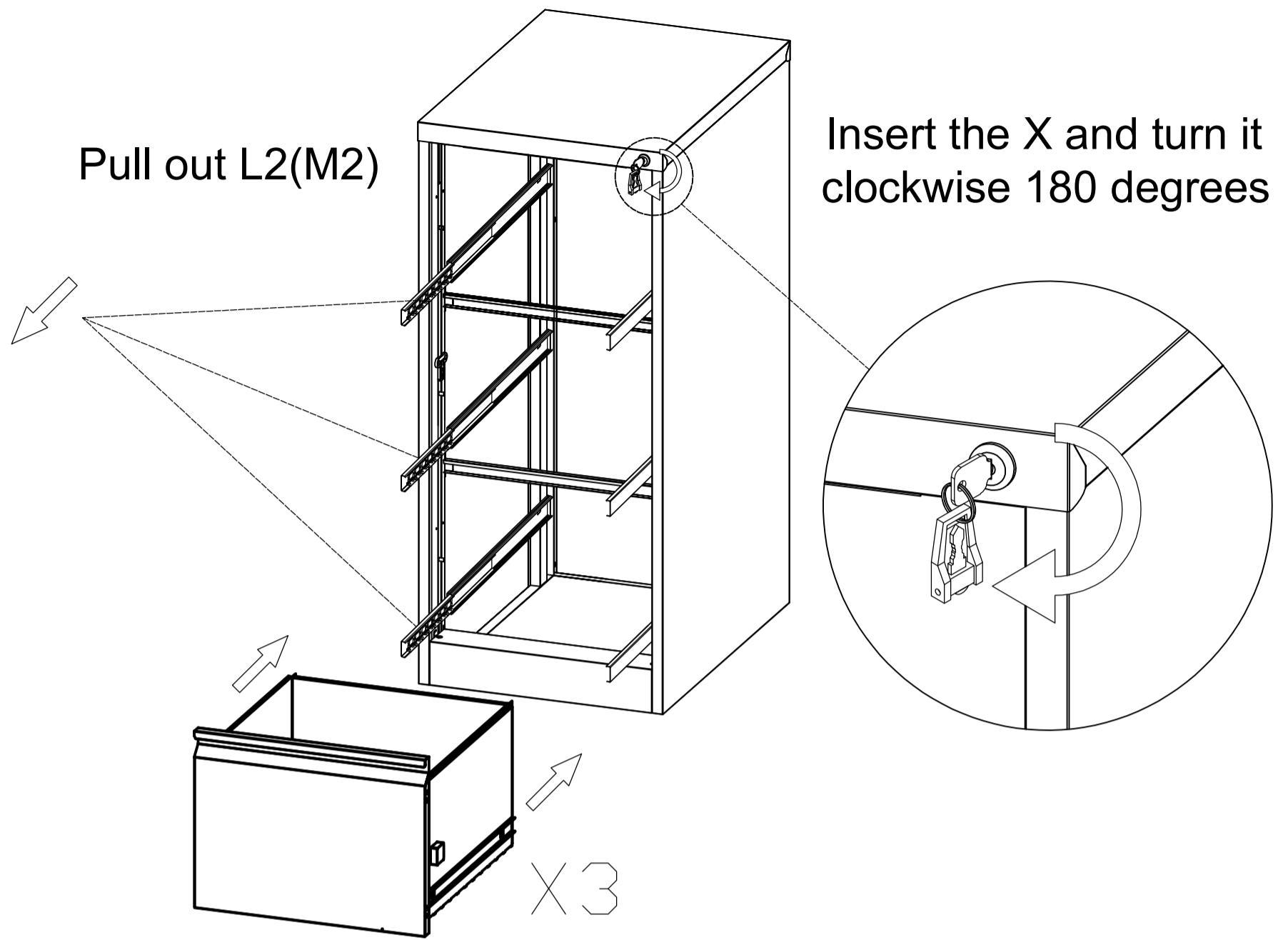
18. Install J



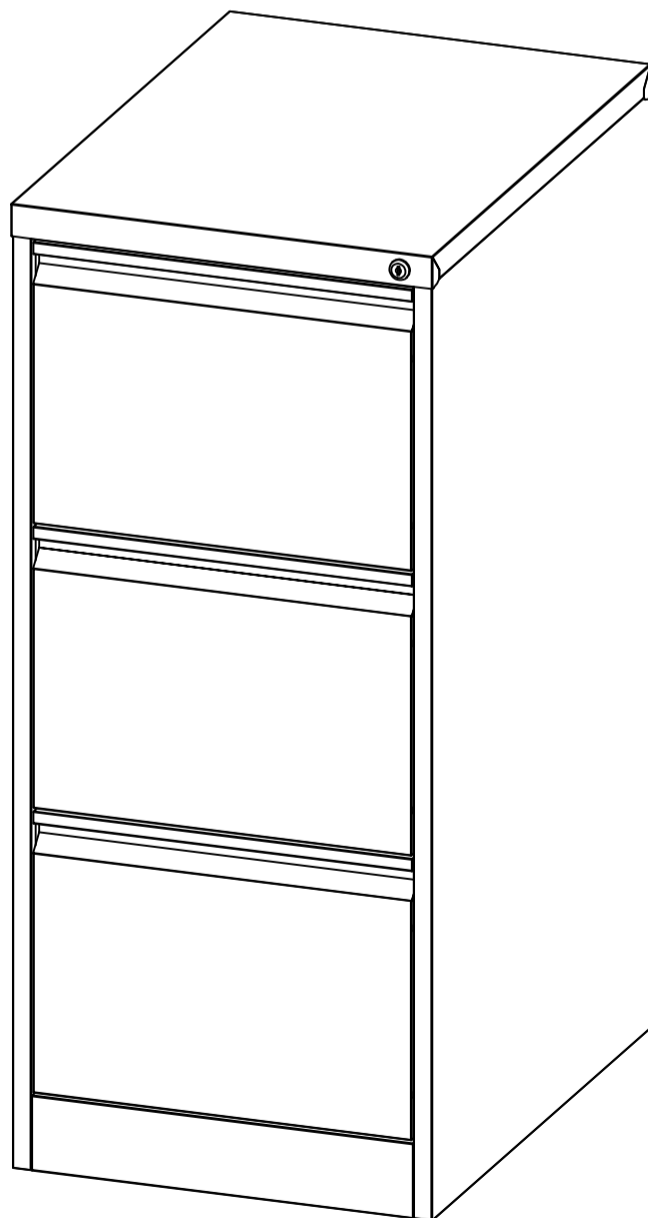
19. Install K



20. Install L1 and M1



## 21. Install drawer



## 22. Assembly completed