



LED Vanity Lights

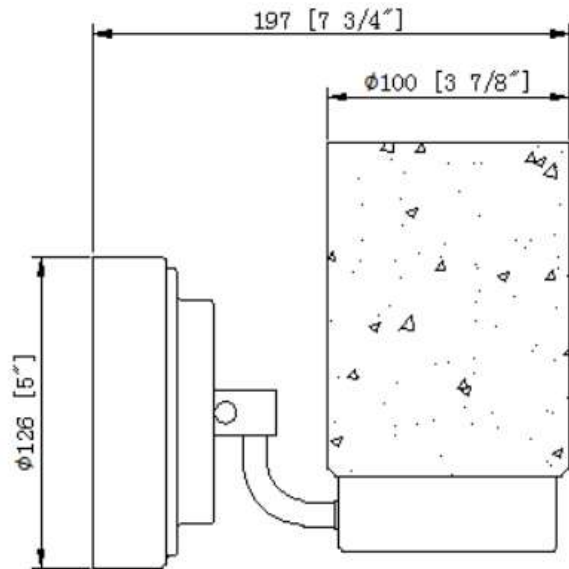
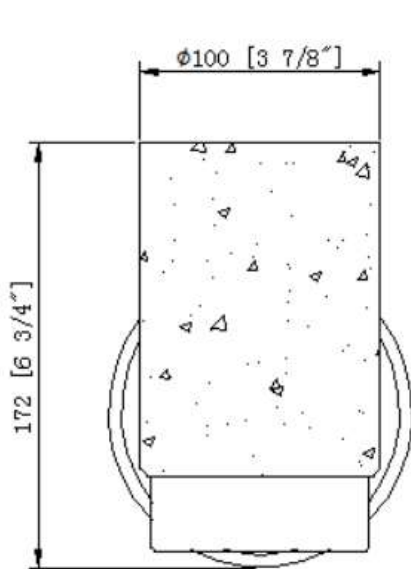


**LIGHT SPECIFICATIONS
LED VANITY FIXTURE**

SPECIFICATIONS



| | |
|-----------------------|----------------------------|
| •PRODUCT MODEL | IVA-BL311-40BN |
| •WATTS | 8W |
| •LUMENS | 550LM |
| •COLOR TEMPERATURE | 4000K |
| •CRI | RA>80 |
| •VOLTAGE | 120V TRIAC DIMMABLE |
| •IP RATED | ETL DAMP LOCATION |
| •OPERATING TEMPRATURE | -20~45°C |
| •MATERIAL | STEEL+GLASS |
| •FINISH | BRUSHED NICKEL |
| •MOUNTING | WALL MOUNTING |
| •SHADE SHAPE | CYLINDER |
| •SHADE MATERIAL | ACRYLIC+GLASS |
| •SHADE COLOR | WHITE ACRYLIC+ CLEAR GLASS |
| •WARRANTY | 5-YEAR LIMITED |
| •FIXTURE SIZE | 5"X6-3/4"X7-3/4" |
| •CASE QUANTITY | 6 PACK |
| •INNER CARTON SIZE | 28.5x15x27.5CM |
| •MASTER CARTON SIZE | 58x33x41CM |
| •NET WEIGHT | 4.38KG |
| •GROSS WEIGHT | 7.72KG |

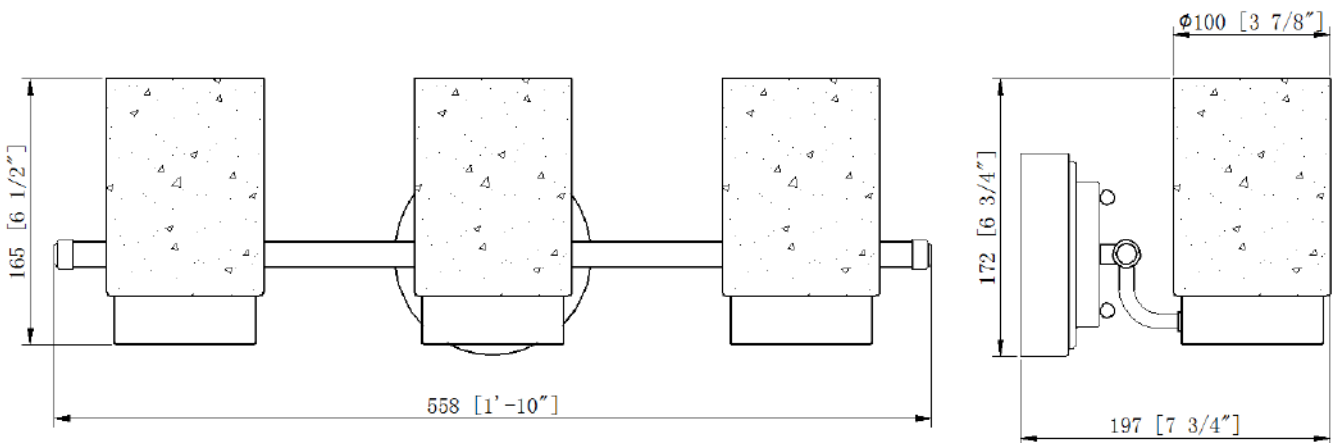


**LIGHT SPECIFICATIONS
LED VANITY FIXTURE**

SPECIFICATIONS



| | |
|-----------------------|----------------------------|
| •PRODUCT MODEL | IVA-BL313-40BN |
| •WATTS | 25W |
| •LUMENS | 1600LM |
| •COLOR TEMPERATURE | 4000K |
| •CRI | RA>80 |
| •VOLTAGE | 120V TRIAC DIMMABLE |
| •IP RATED | ETL DAMP LOCATION |
| •OPERATING TEMPRATURE | -20~45°C |
| •MATERIAL | STEEL+GLASS |
| •FINISH | BRUSHED NICKEL |
| •MOUNTING | WALL MOUNTING |
| •SHADE SHAPE | CYLINDER |
| •SHADE MATERIAL | ACRYLIC+GLASS |
| •SHADE COLOR | WHITE ACRYLIC+ CLEAR GLASS |
| •WARRANTY | 5-YEAR LIMITED |
| •FIXTURE SIZE | 22"X6-3/4"X7-3/4" |
| •CASE QUANTITY | 1 PACK |
| • MASTER CARTON SIZE | 63.9x19x31CM |
| • NET WEIGHT | 1.96KG |
| • GROSS WEIGHT | 2.94KG |



**LIGHT SPECIFICATIONS
LED VANITY FIXTURE**

SPECIFICATIONS



| | |
|------------------------|----------------------------|
| • PRODUCT MODEL | IVA-BL314-40BN |
| • WATTS | 30W |
| • LUMENS | 2100LM |
| • COLOR TEMPERATURE | 4000K |
| • CRI | RA>80 |
| • VOLTAGE | 120V TRIAC DIMMABLE |
| • IP RATED | ETL DAMP LOCATION |
| • OPERATING TEMPRATURE | -20~45°C |
| • MATERIAL | STEEL+GLASS |
| • FINISH | BRUSHED NICKEL |
| • MOUNTING | WALL MOUNTING |
| • SHADE SHAPE | CYLINDER |
| • SHADE MATERIAL | ACRYLIC+GLASS |
| • SHADE COLOR | WHITE ACRYLIC+ CLEAR GLASS |
| • WARRANTY | 5-YEAR LIMITED |
| • FIXTURE SIZE | 29-5/8"X6-1/2"X7-3/4" |
| • CASE QUANTITY | 1 PACK |
| • MASTER CARTON SIZE | 83x19x31CM |
| • NET WEIGHT | 2.53KG |
| • GROSS WEIGHT | 3.77KG |

