

# ASSEMBLY INSTRUCTIONS

## ASSEMBLY TIPS :

1. Remove hardware from box and sort by size.
2. Please check to see that all hardware and parts are present prior to start of assembly.
3. Please follow attached instructions in the same sequence as numbered to assure fast and easy assembly.

Component List		
Box Of Headboard & Footboard		
No	Descriptions	Qty
A	Headboard Panel	1
B	Footboard Panel	1
C	Slat Cover	1

Box Of Side Rail		
No	Descriptions	Qty
D	Bed Rail	2
E	Drawer Slat	1
F	Drawer Slat Support	1
G	Drawer Slat Support Stopper	1
H	Bed Slat 3 Holes	3
I	Bed Slat 2 Holes	10
J	Bed Slat Support	3
K	Center Slat with 3 Holes	1

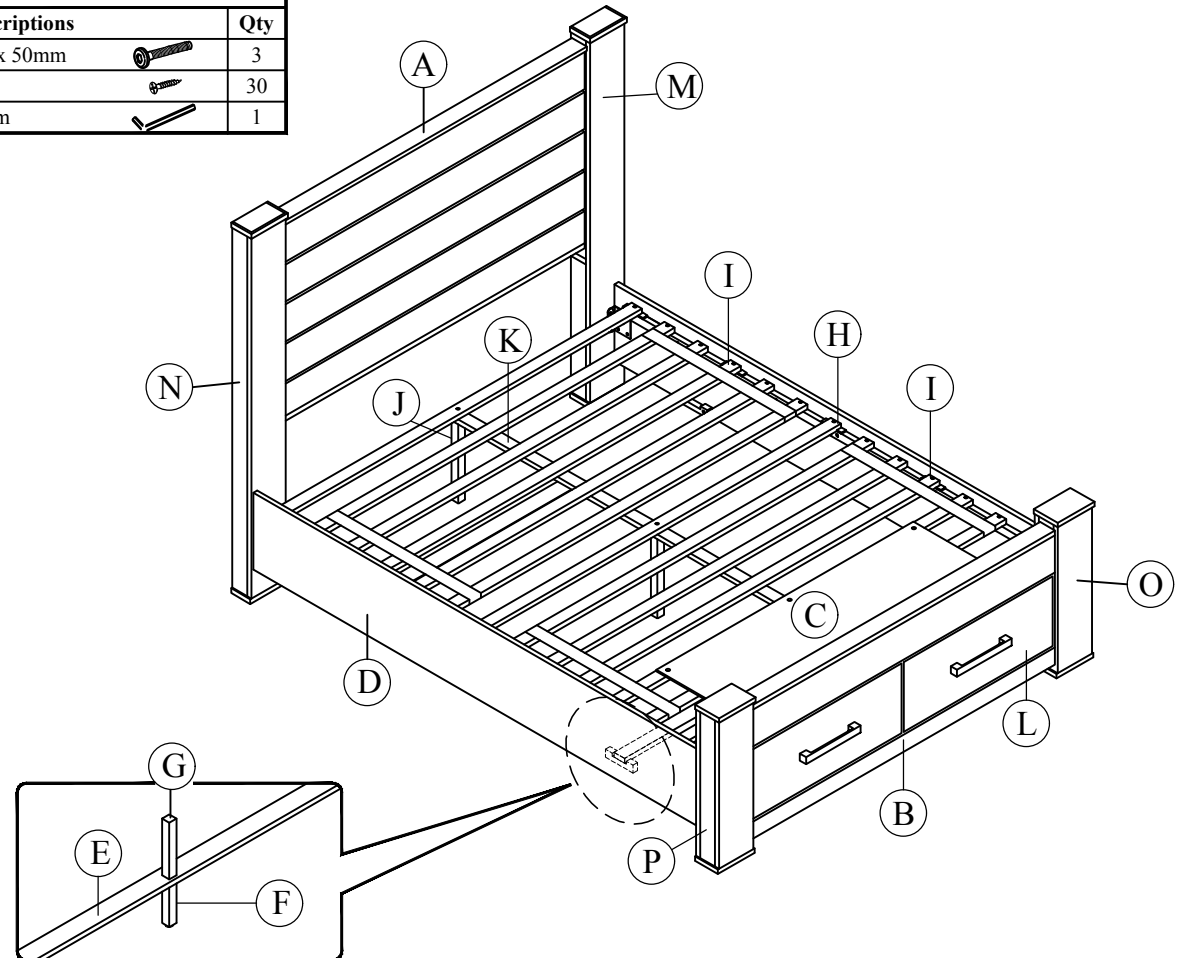
Box Of Drawer		
No	Descriptions	Qty
L	Drawer	2

Box Of Leg		
No	Descriptions	Qty
M	Headboard Leg Right	1
N	Headboard Leg Left	1
O	Footboard Leg Right	1
P	Footboard Leg Left	1

Box Of Headboard & Footboard		
Hardware List		
No	Descriptions	Qty
1	JCBC Screw M6 x 35mm	4
2	Spring Washer Ø 1/4"	10
3	Flat Washer Ø 1/4" x 20mm	10
4	L Key M4 x 100mm	1
5	L Key M5	1
6	Wood Dowel 10mm x 30mm	4

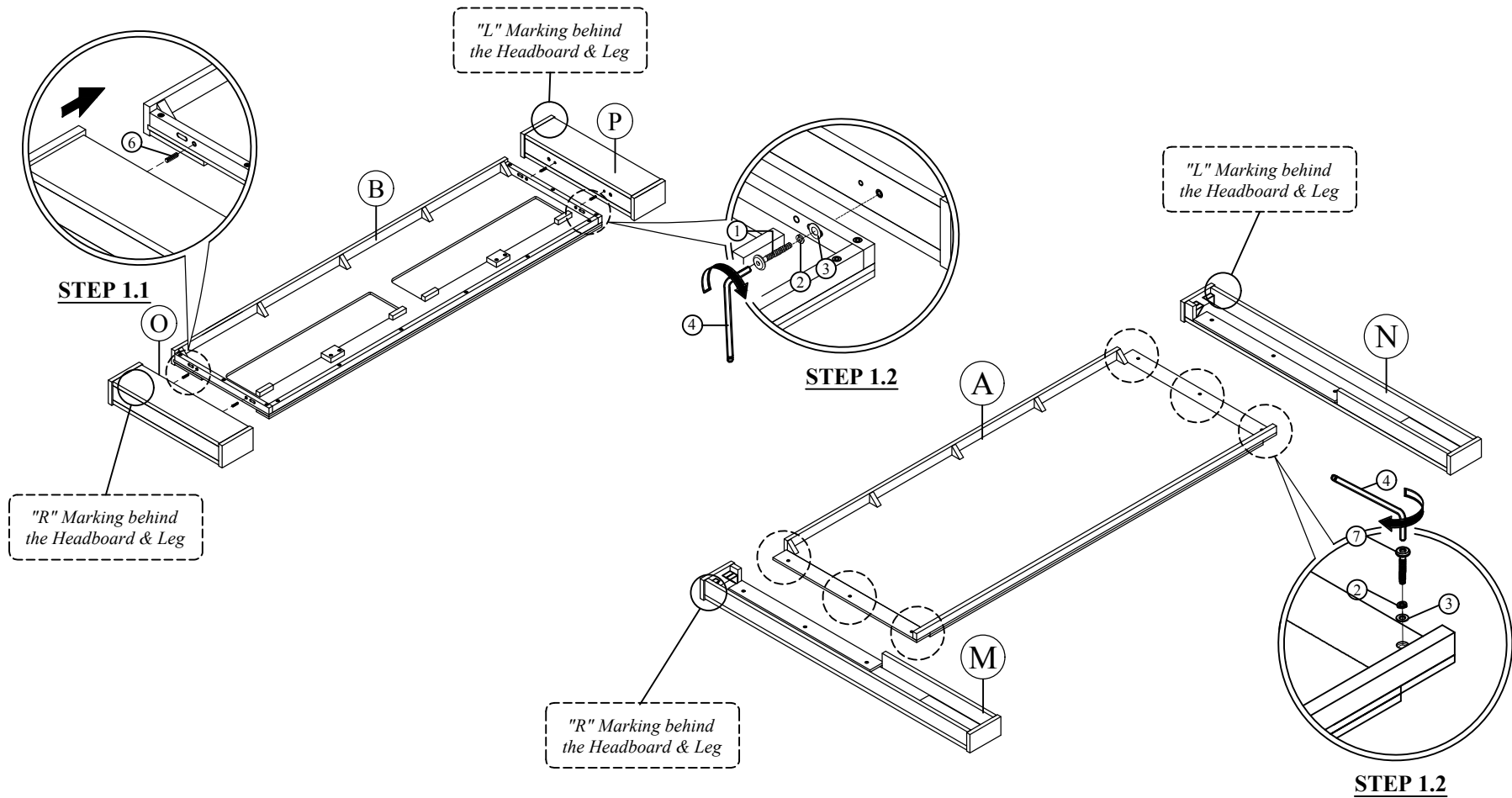
No	Descriptions	Qty
7	JCBC Screw M6 x 30mm	6
8	CSK M4 x 16mm	5

Box Of Side Rail		
Hardware List		
No	Descriptions	Qty
9	JCBC Screw M6 x 50mm	3
10	CSK M4 x 32mm	30
11	L Key M4 x 63mm	1



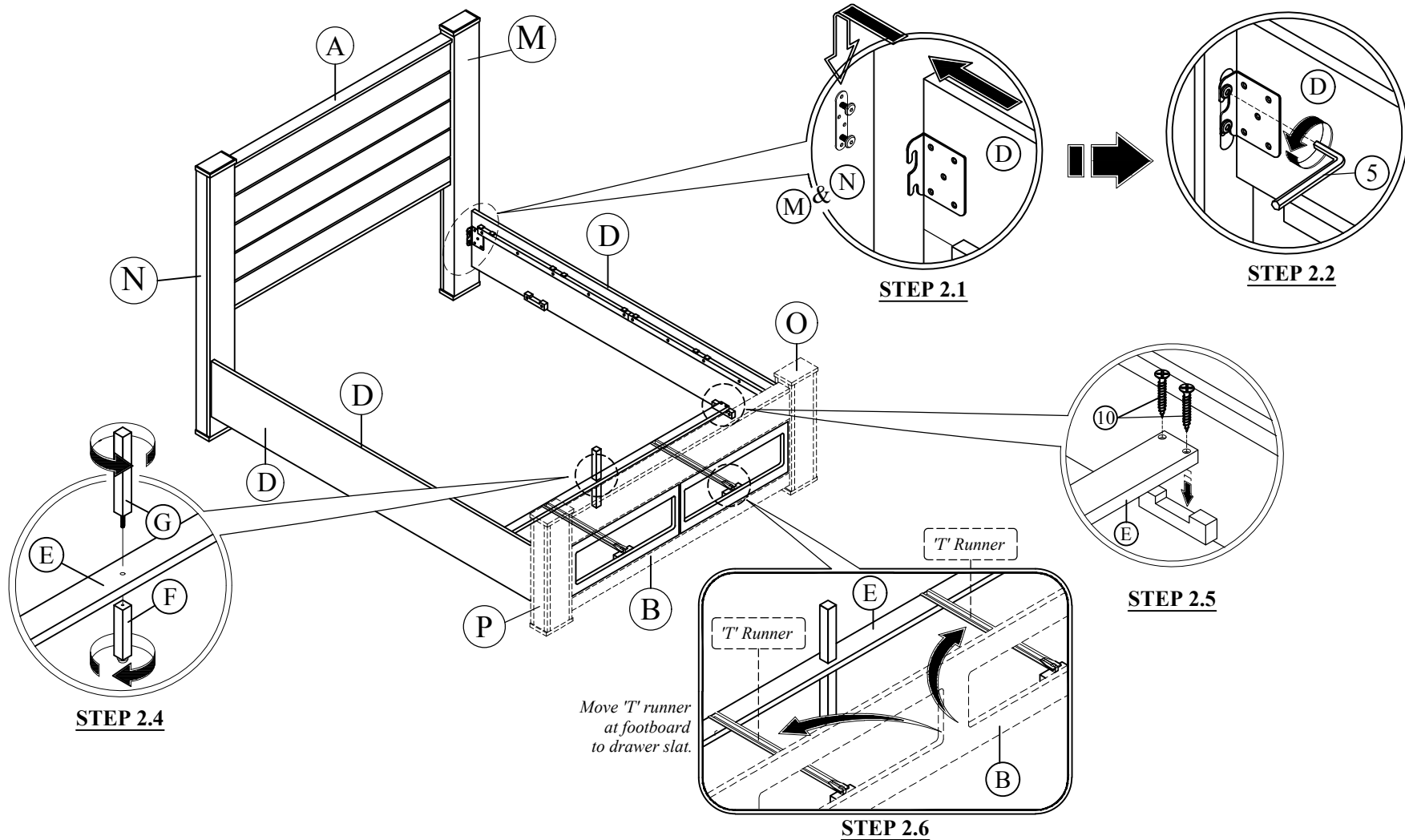
# ASSEMBLY INSTRUCTIONS

- STEP 1.1: Insert Wood Dowel (6) to the pre-drilled hole of Footboard Panel (B). Push the Footboard Leg (O & P) at the Footboard Panel (B) slowly as picture shown.
- STEP 1.2: Attach the Footboard Leg (O & P) / Headboard Leg (M & N) by using JCBC Screw M6 x 35mm (1), Spring Washer (2) and Flat Washer (3) through the pre-drilled hole of Footboard Leg (O & P) / Headboard Leg (M & N) and tighten by using L Key (4).
- STEP 1.3: Repeat Step 1.1 and Step 1.2 for the other Side Leg.



# ASSEMBLY INSTRUCTIONS

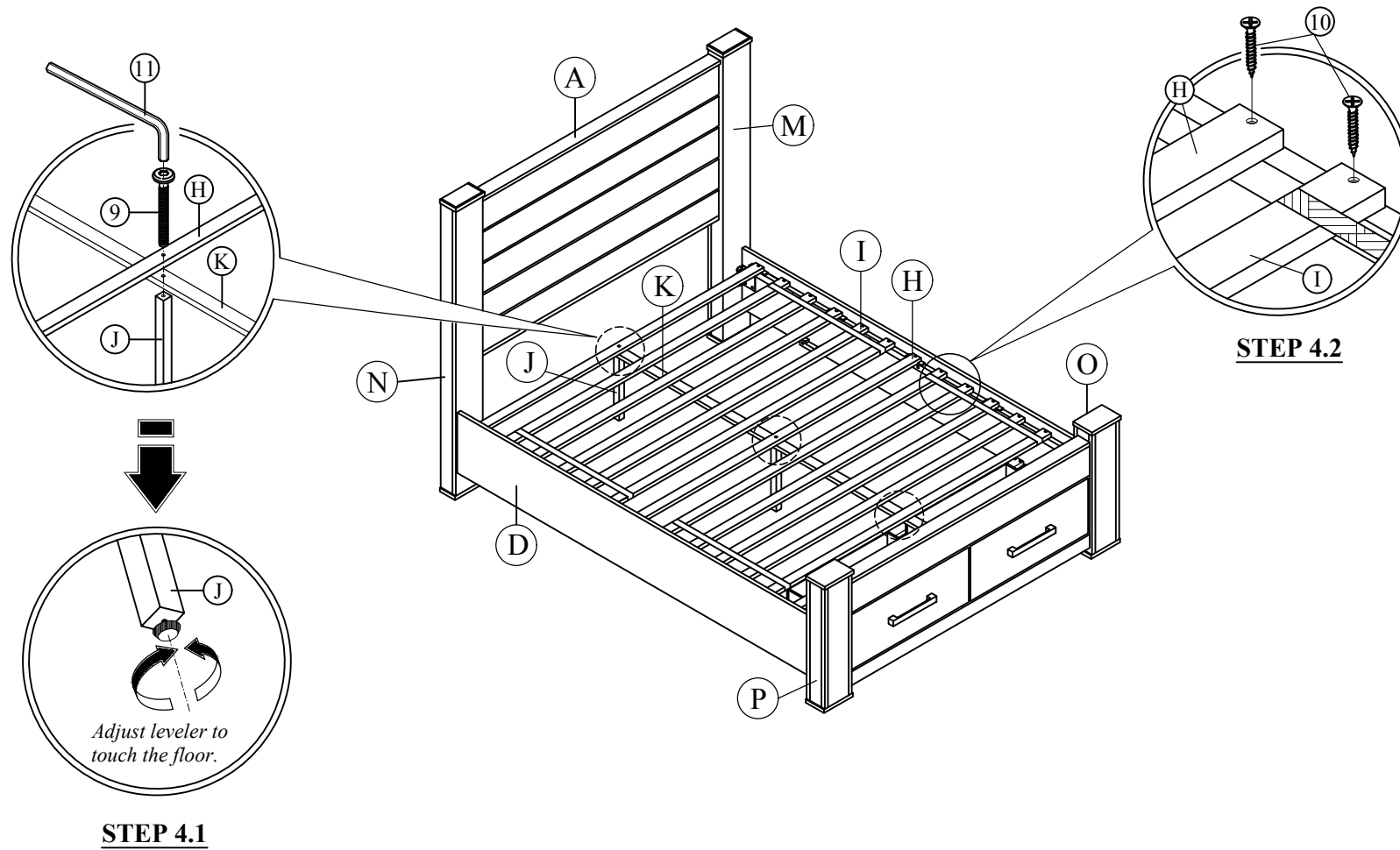
- STEP 2.1: Attach the Bed Rail (D) to Headboard Leg (M & N).
- STEP 2.2: Tighten screw on Headboard Leg (M & N) by using L Key M5 (5) & repeat the same step on Footboard Leg (O & P).
- STEP 2.3: Move the bed to the desired position.
- STEP 2.4: Attach the Drawer Slat (E) each to a Drawer Slat Support (F) & fix with Drawer Slat Support Stopper (G).
- STEP 2.5: Fix the Drawer Slat (E) to Bed Rail (D) with CSK M4 x 32mm (10).
- STEP 2.6: Move 'T' Runner at Footboard Panel (B) to Drawer Slat (E).





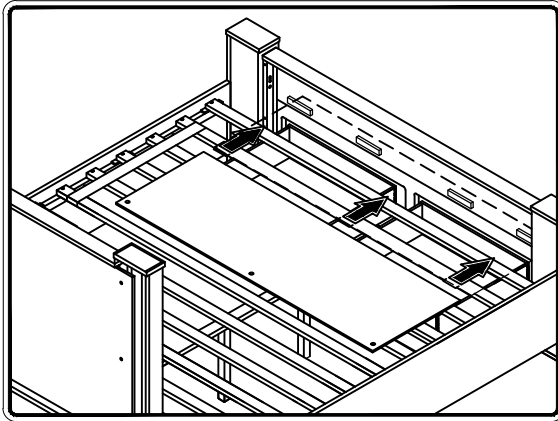
# ASSEMBLY INSTRUCTIONS

- STEP 4.1: Attach the Center Slat (K), Bed Slat 3 Holes (H) to Bed Slat Support (J). Tighten with JCBC M6 x 50mm (9) by using L key M4 (11).
- STEP 4.2: Attach Bed Slat 3 Holes (H) & Bed Slat 2 Holes (I) and tighten to Bed Rail (D) with CSK M4 x 32mm (10).

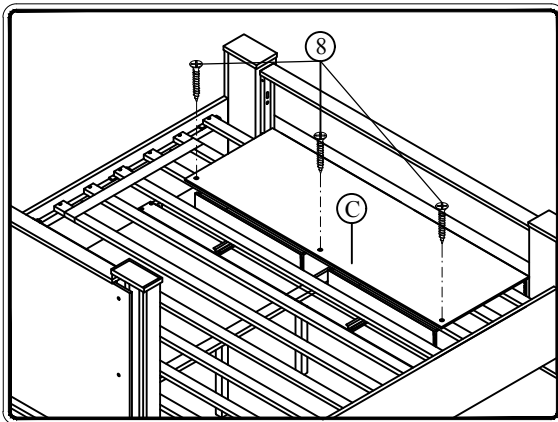


# ASSEMBLY INSTRUCTIONS

- STEP 5.1: Insert the tip of Slat Cover (C) on the back of the footboard (B) until closely.
- STEP 5.2: Use CSK M4 x 16mm (8) to fasten the Slat Cover (C) on the Bed Slat (I).



**STEP 5.1**



**STEP 5.2**

