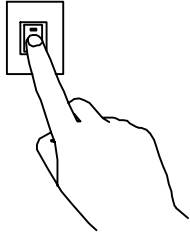


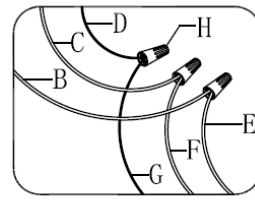
Installation Instruction

1



turn off the power.

4

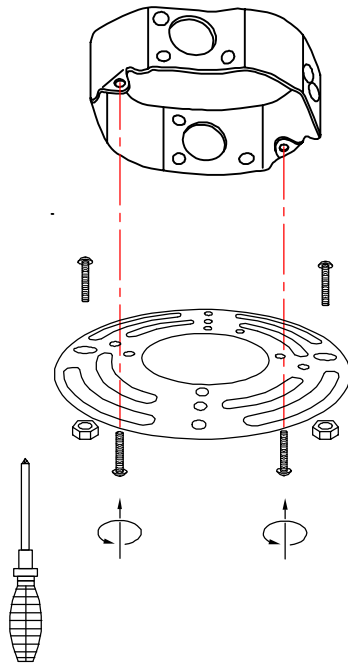


Wire connection

- B-Black wire (L) from junction box
- C-White wire (N) from junction box
- D-Green wire/bare copper (G) from junction box
- E-Black wire (L) from fixture
- F-White wire (N) from fixture
- G-Green wire/Bare copper from fixture
- H-wire connector x 3

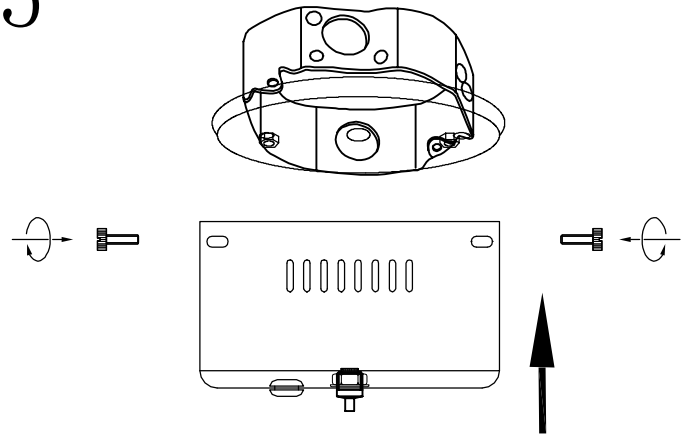
Connect wires

2



install mounting bracket

5



rise and install canopy to canopy cover

3

