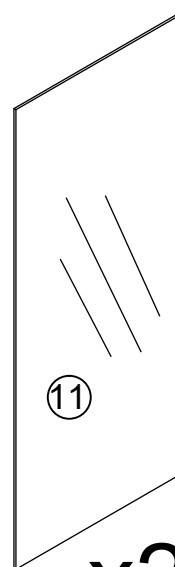
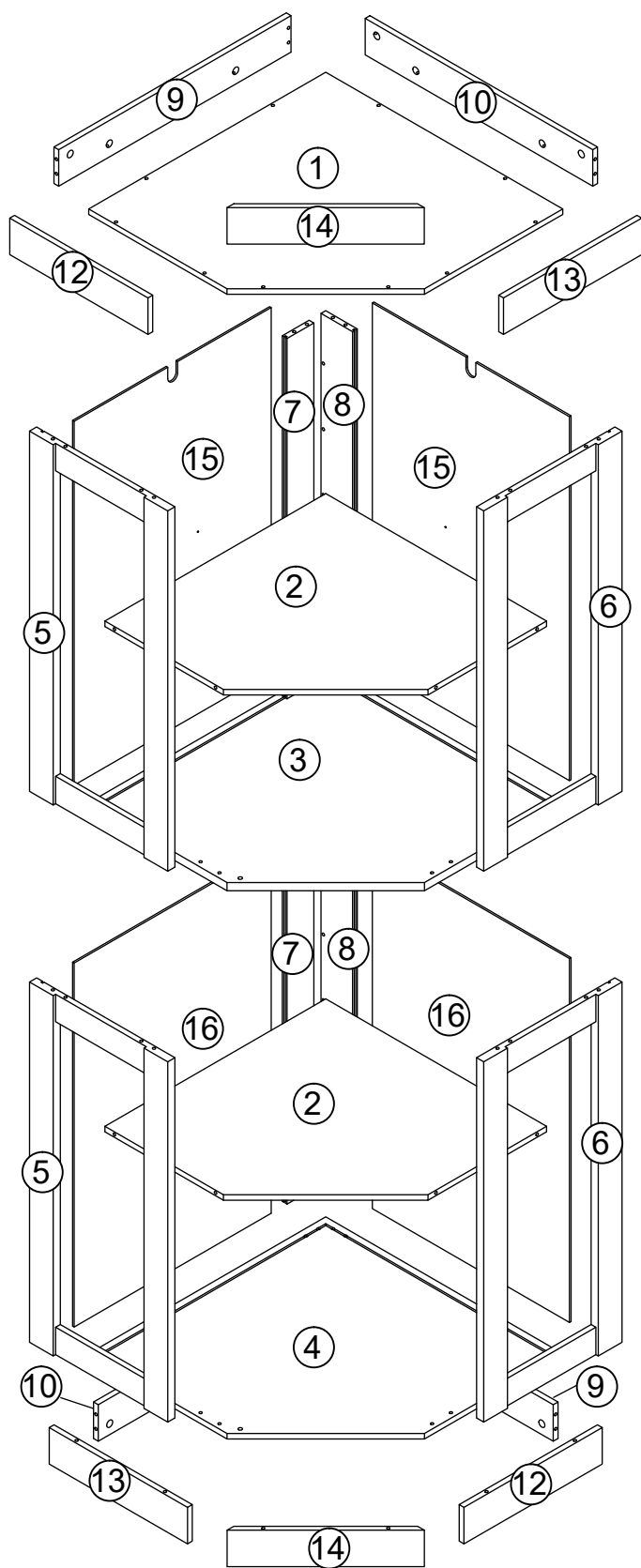
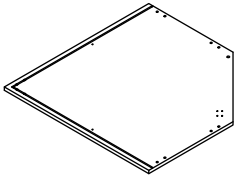
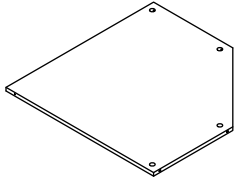
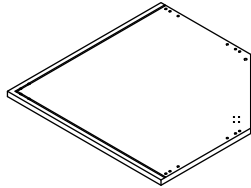
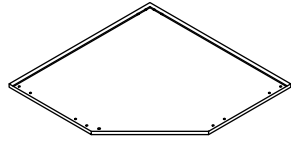
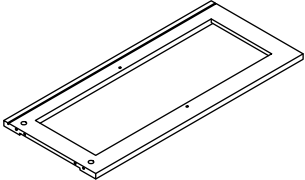
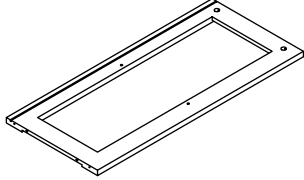
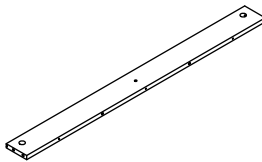
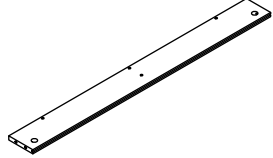
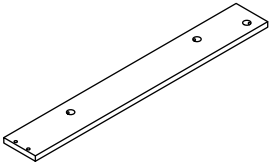
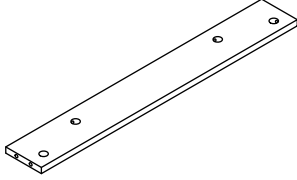
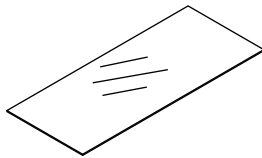
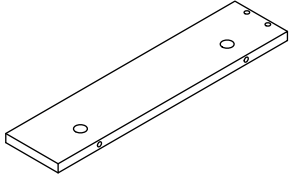
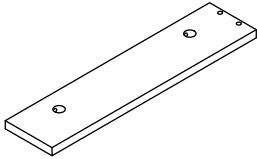
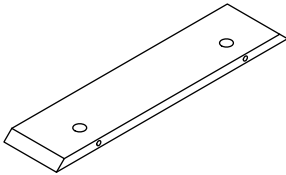
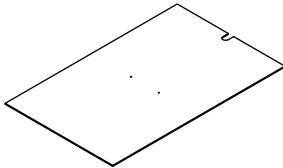
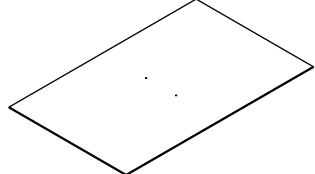


# Installation instruction

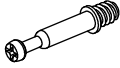


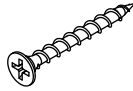



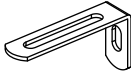
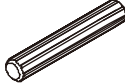
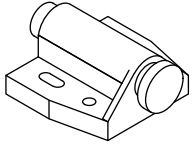
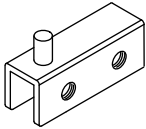
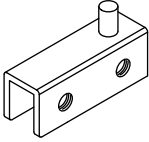
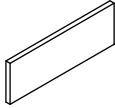

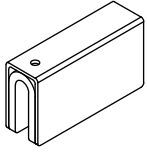
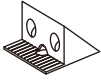





x2

# Parts and Operation Elements

			
① 1pc	② 2pc	③ 1pc	④ 1pc
			
⑤ 2pc	⑥ 2pc	⑦ 2pcs	⑧ 2pc
			
⑨ 2pc	⑩ 2pcs	⑪ 2pcs	⑫ 2pcs
			
⑬ 2pcs	⑭ 2pcs	⑮ 2pcs	⑯ 2pcs

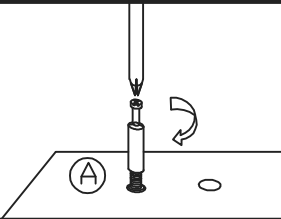
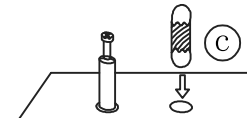
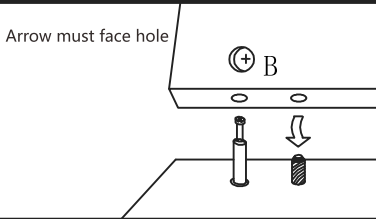
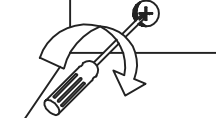
# Hardware

									
Cam bolt		Cam Lock		Wood dowel		4x35mm screw		3x16mm screw	
A	50pcs	B	50pcs	C	30pcs	D	20pcs	E	16pcs
									
3x12mm screw		6x50mm							
F	8pcs	G	2pcs	H	2pcs	J	2pcs	K	2pcs
									
L	2pcs	M	2pcs	N	4pcs	P	4pcs	Q	2pcs
									
				3x16mm screw		4x12mm screw			
R	16pcs	S	8pcs	U	8pcs	V	2pcs		

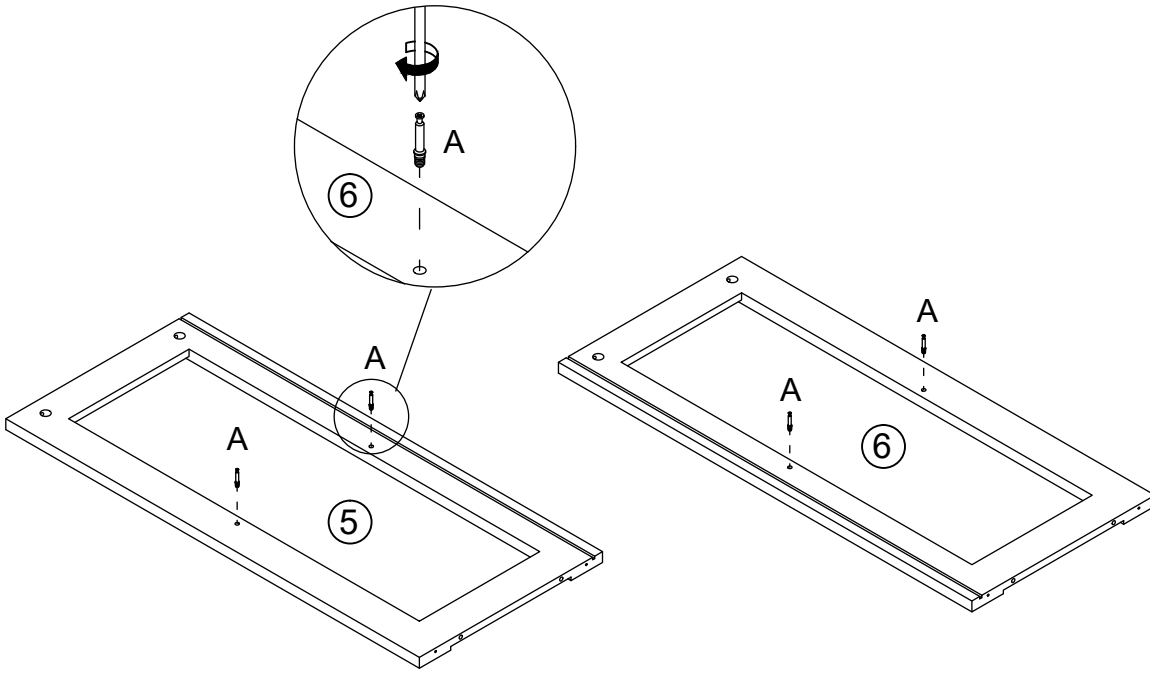
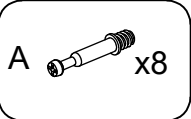


SPARE BAG

THE SPARE BAG INCLUDED EXTRA HARDWARE FOR DAMAGED OR MISSING SMALL HARDWARE WHILE YOU ARE ASSEMBLING

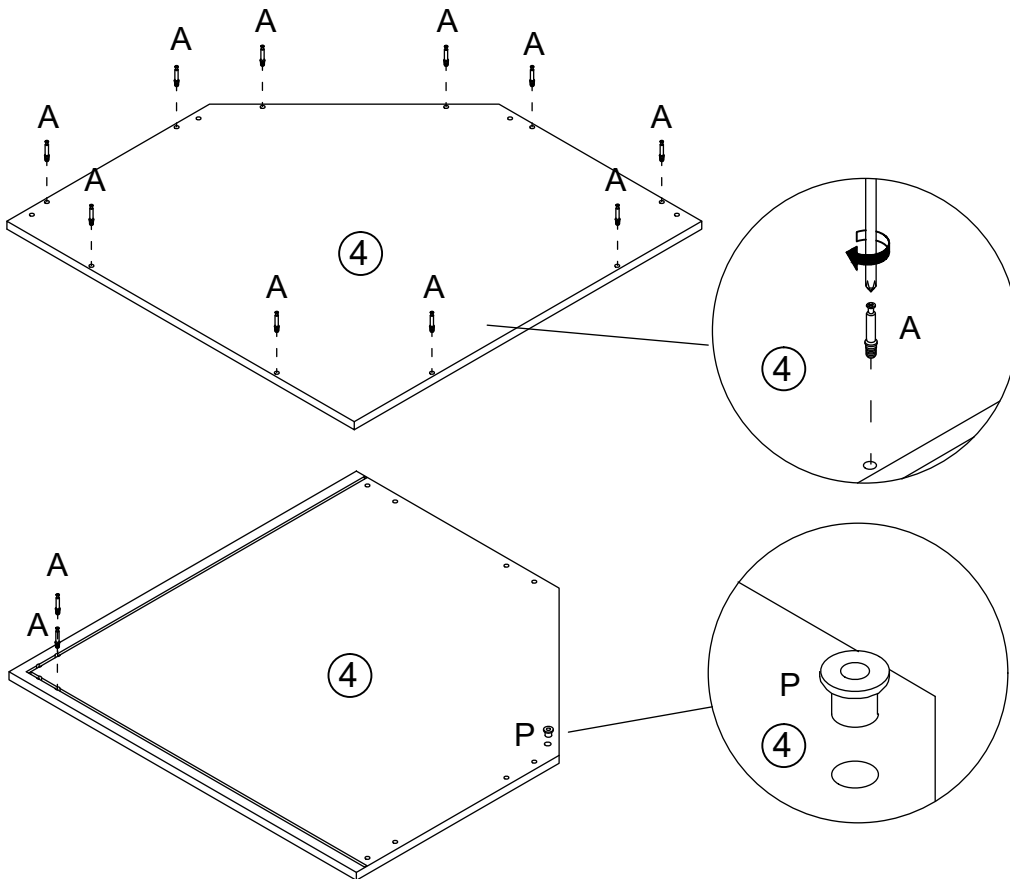
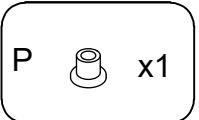
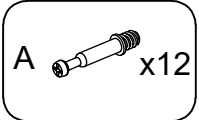
			
Gently screw cam bolt into the threaded anchor.	Insert the wood dowel halfway into hole.	Arrow must face hole	Screw the camlock firmly into locked position.

1

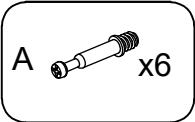
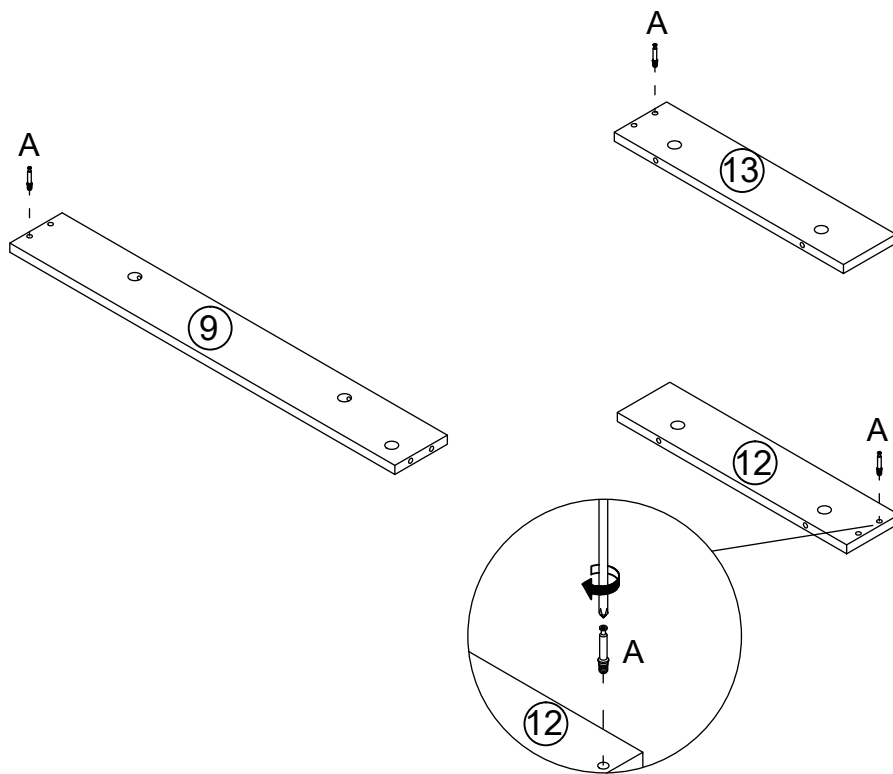


x2

2

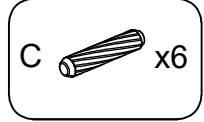
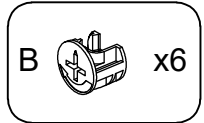
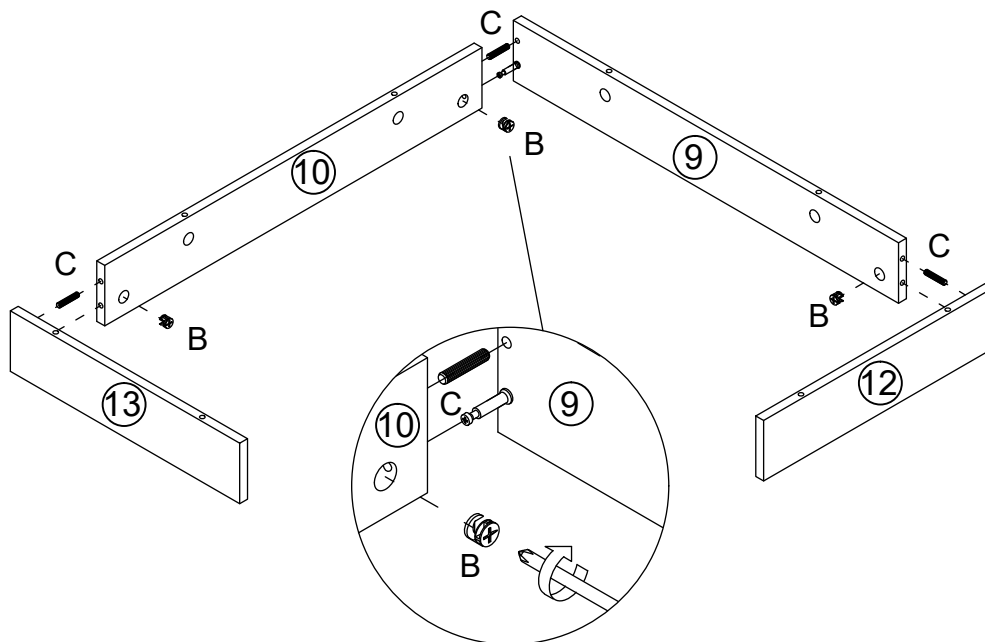


3



x2

4

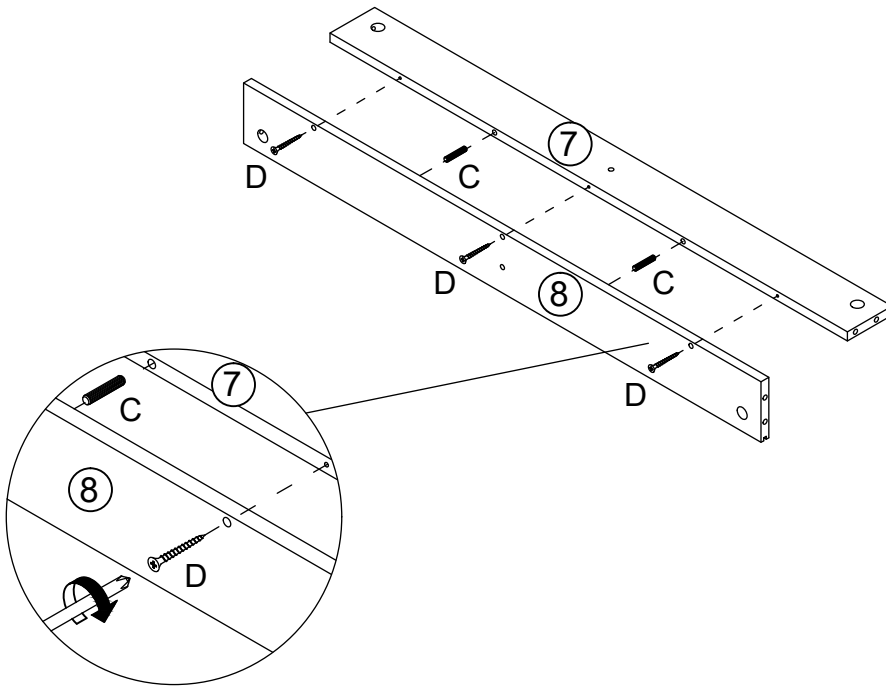


x2

5

D  x6

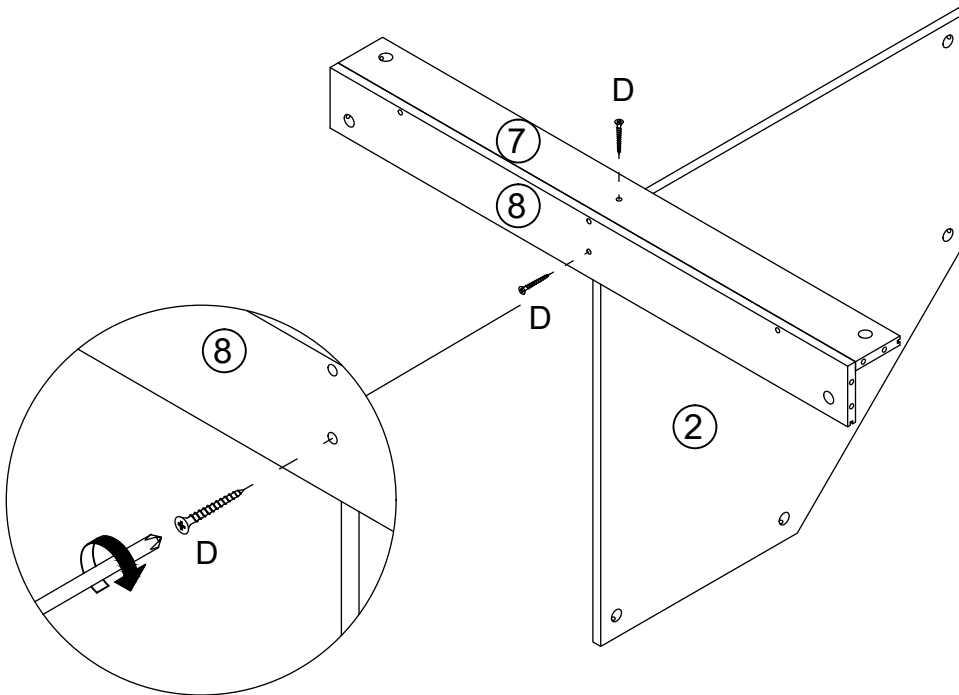
C  x4




x2

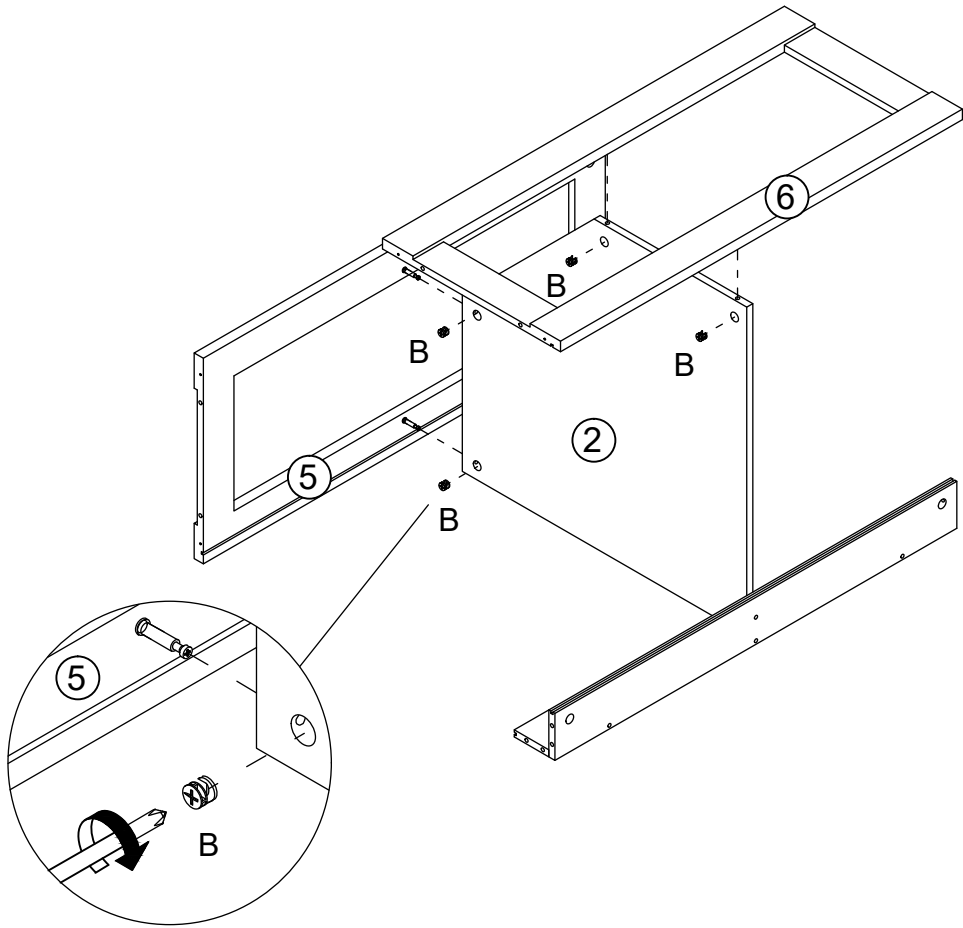
6

D  x2





7

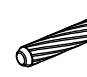
B  x4

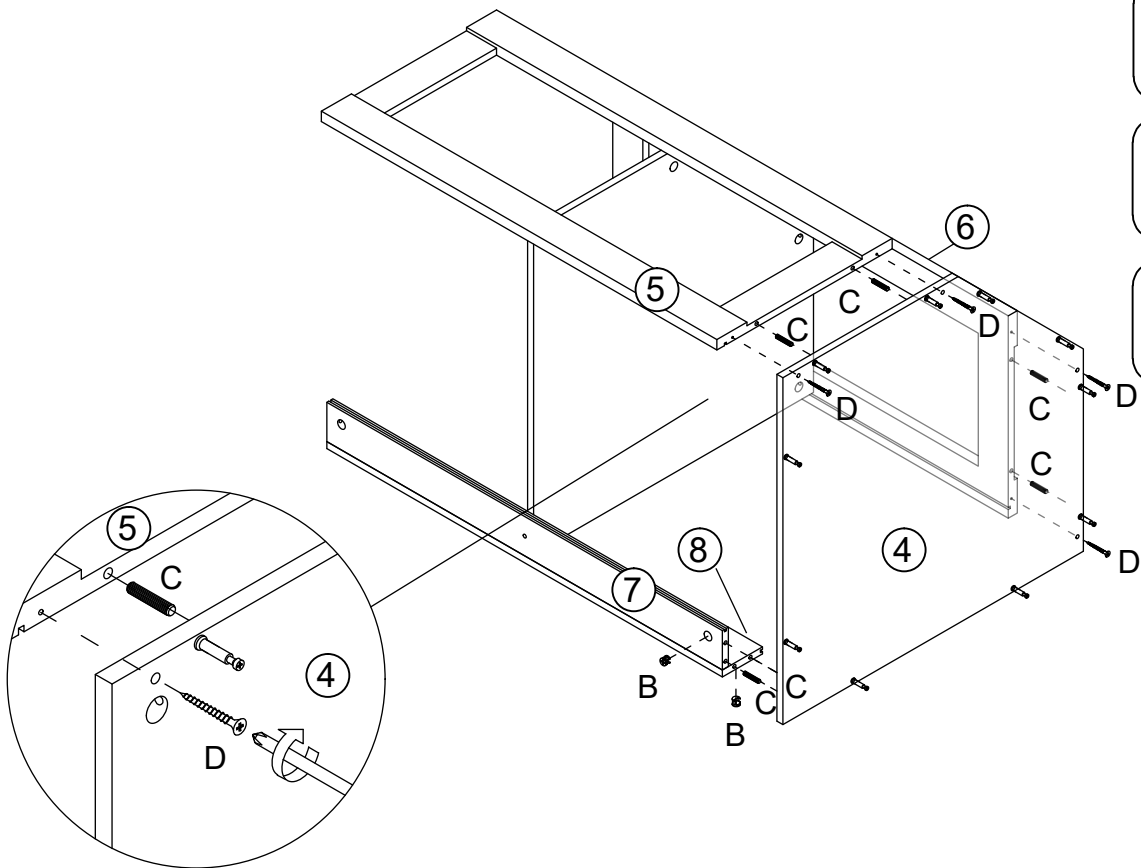


8


B  x2

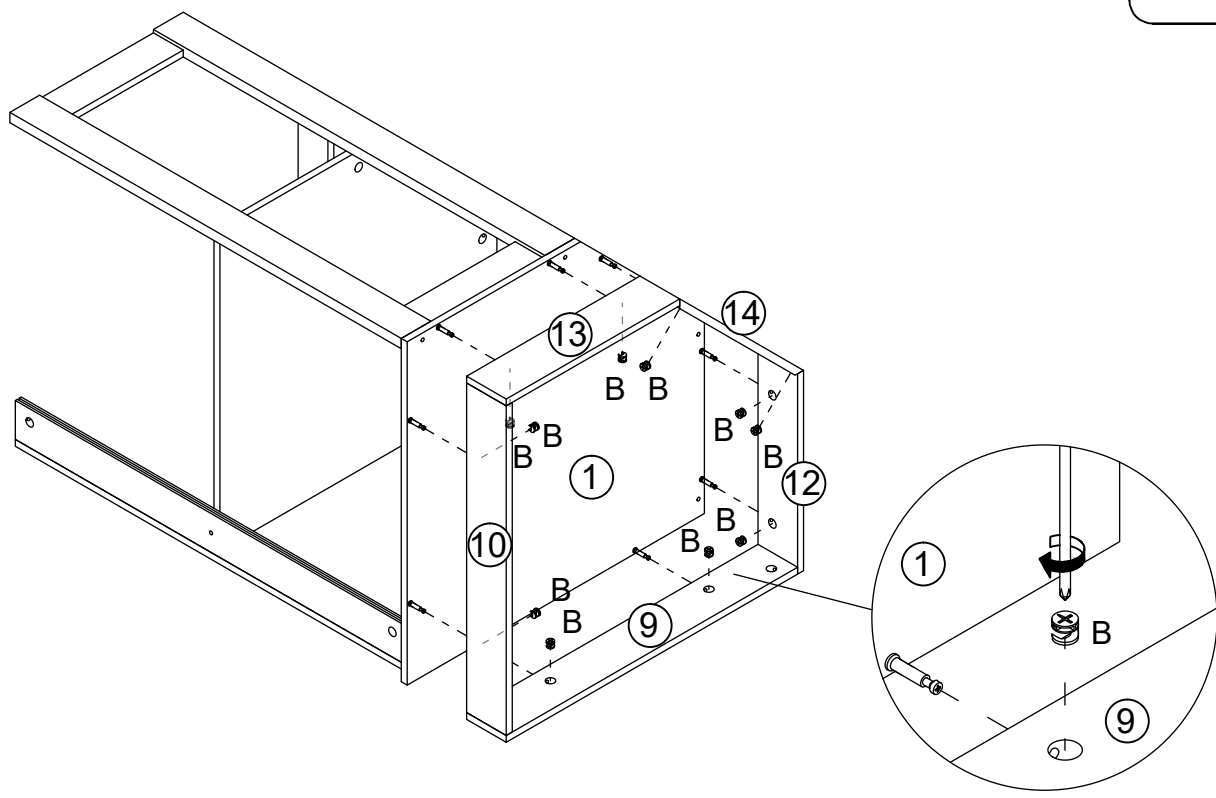
D  x4

C  x6

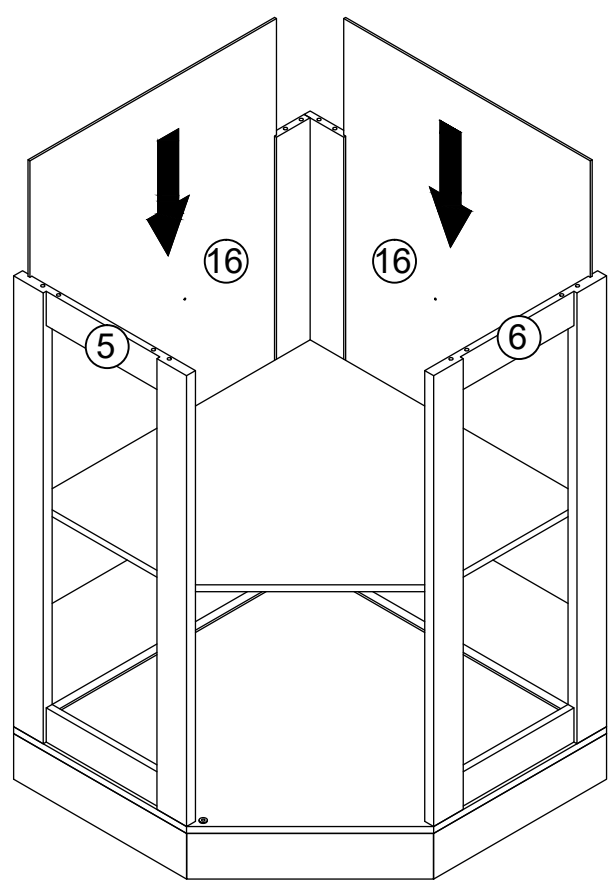


9

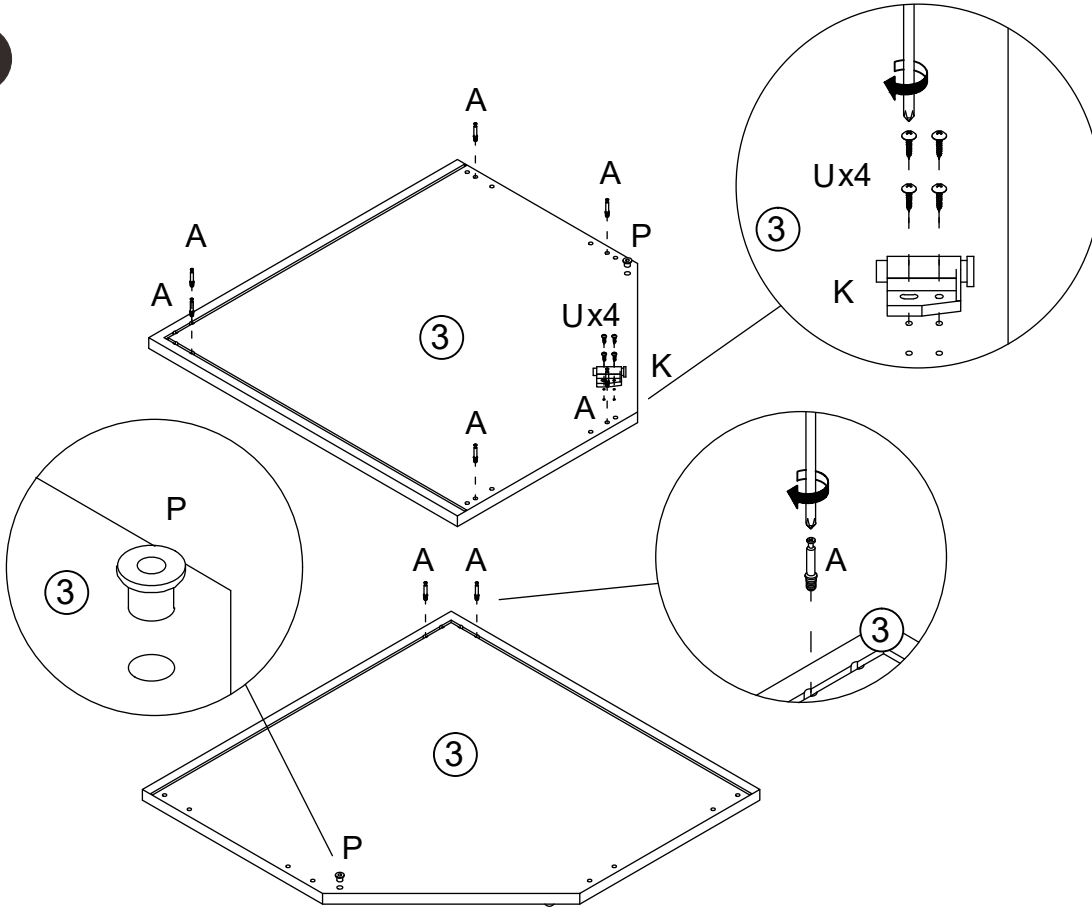
B  x10

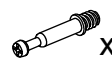



10




11



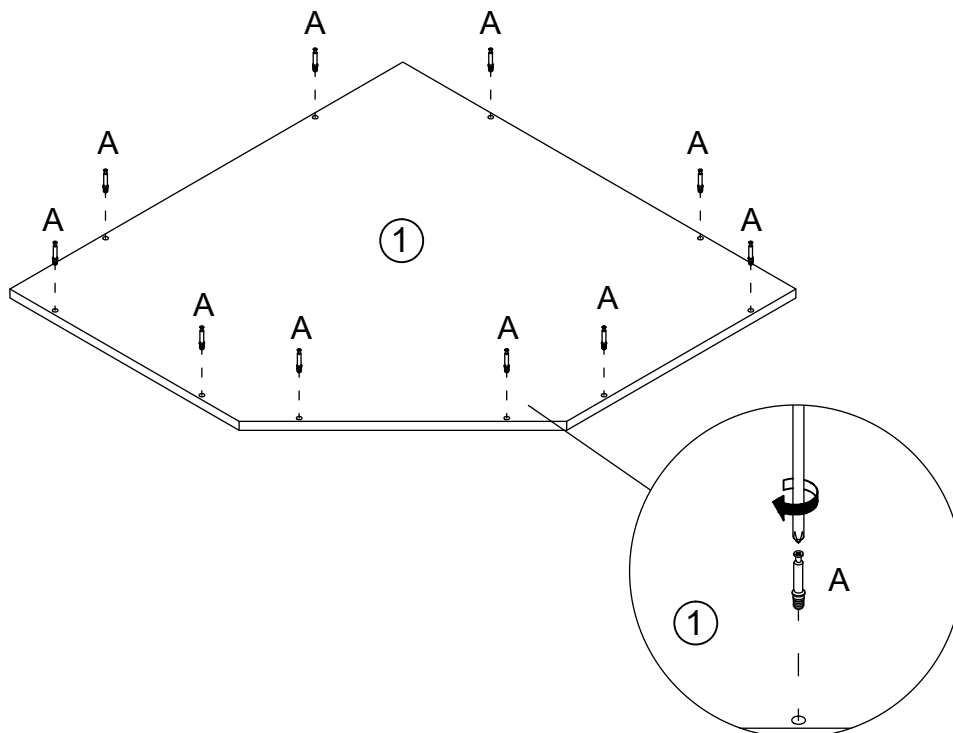
A  x8


K  x1

P  x2


U  x4

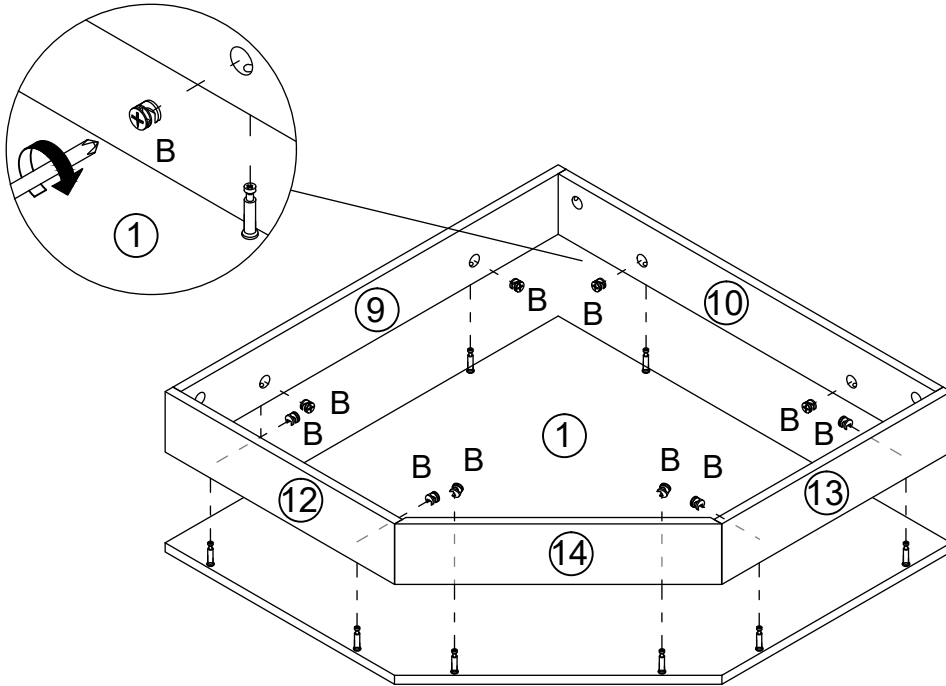
12




A  x10


13


B  x10



14

A  x6

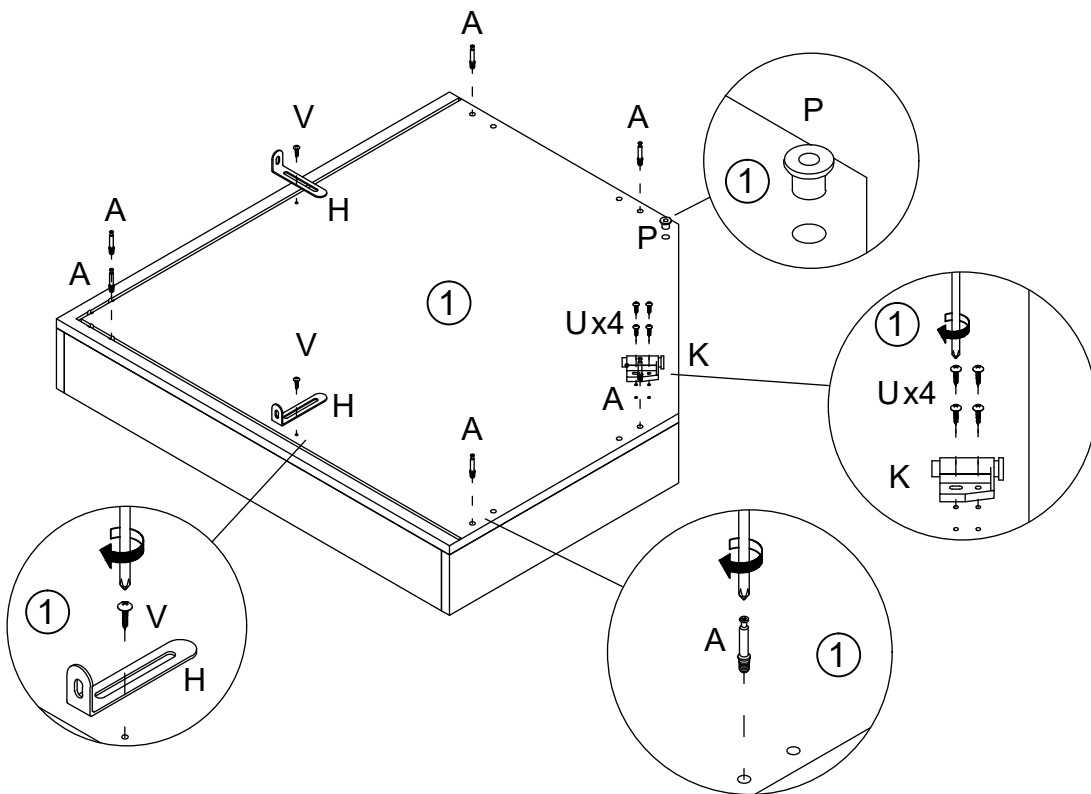
K  x1

P  x1

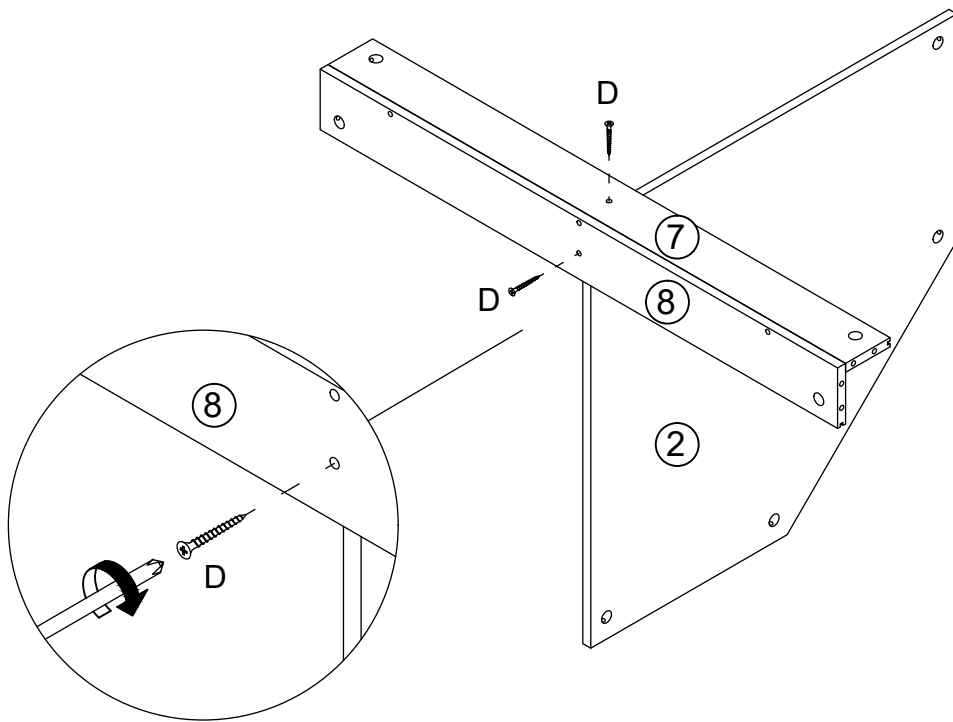
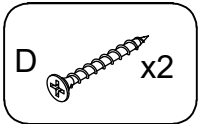
H  x2

V  x2

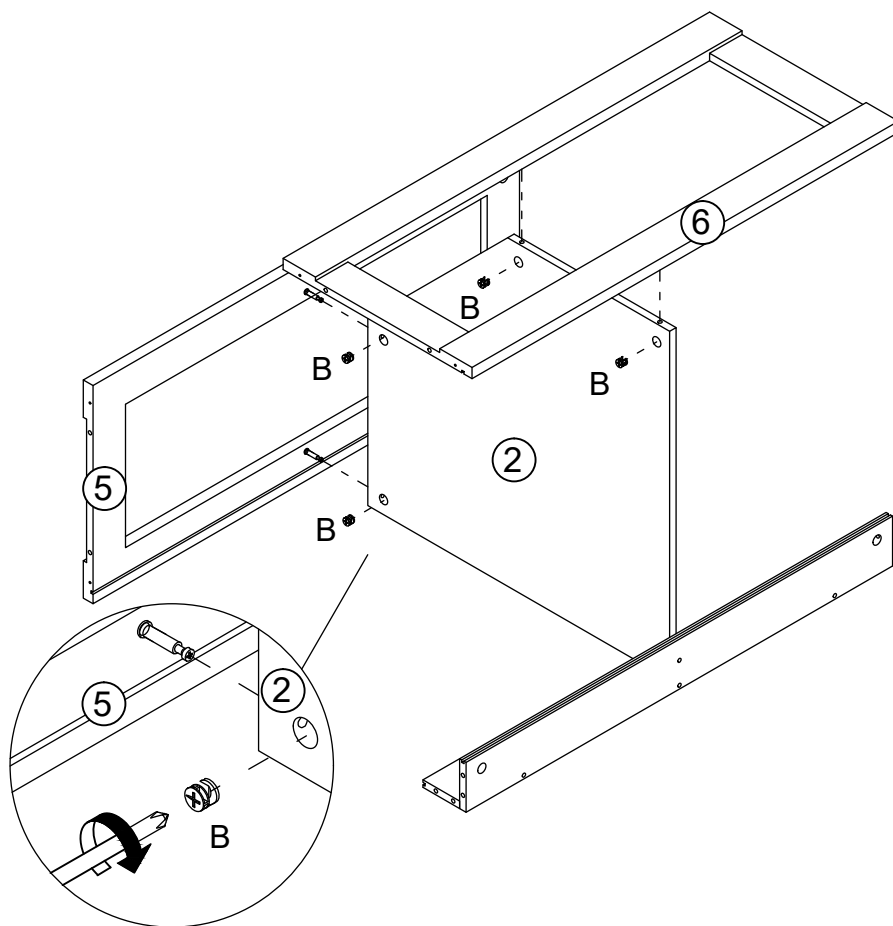
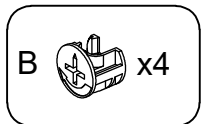
U  x4



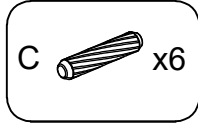
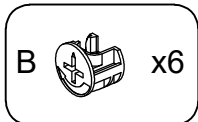
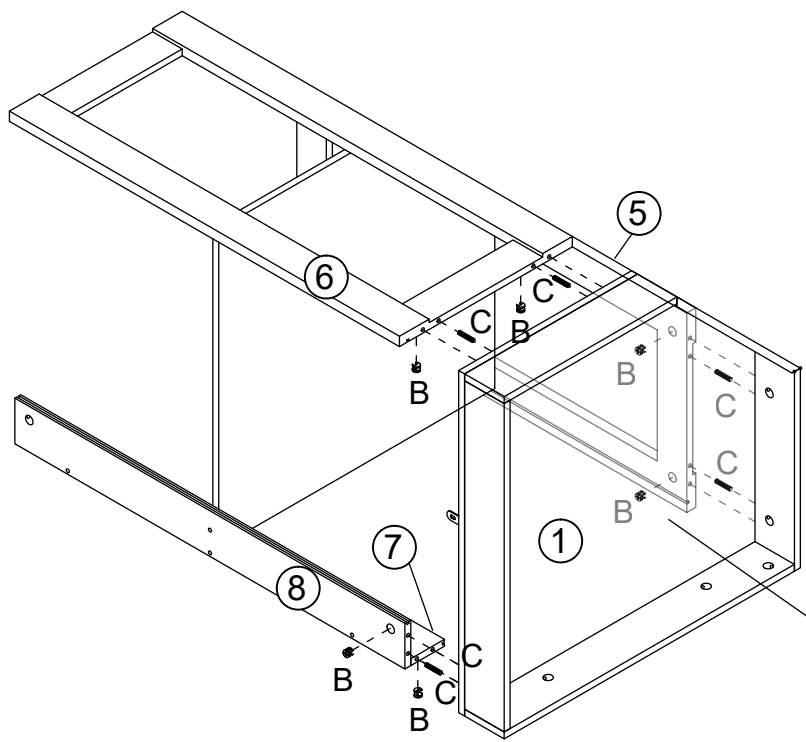
15



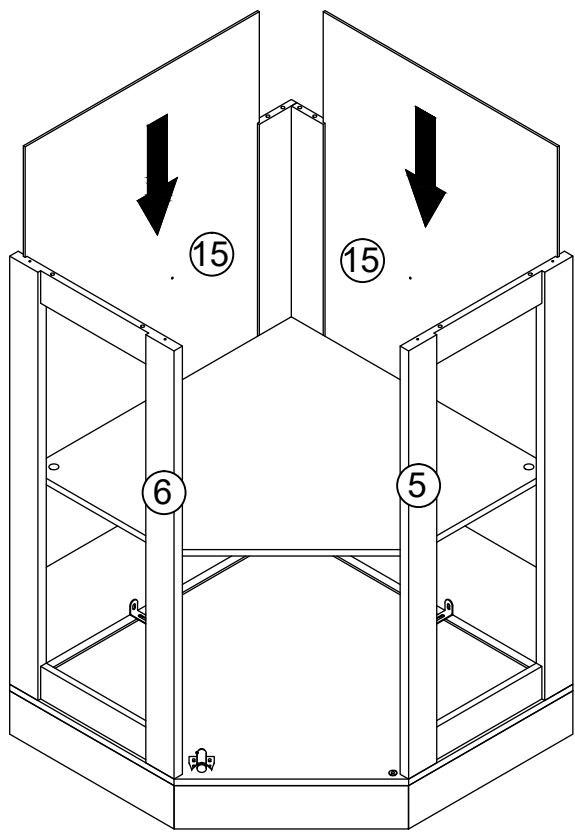
16







17

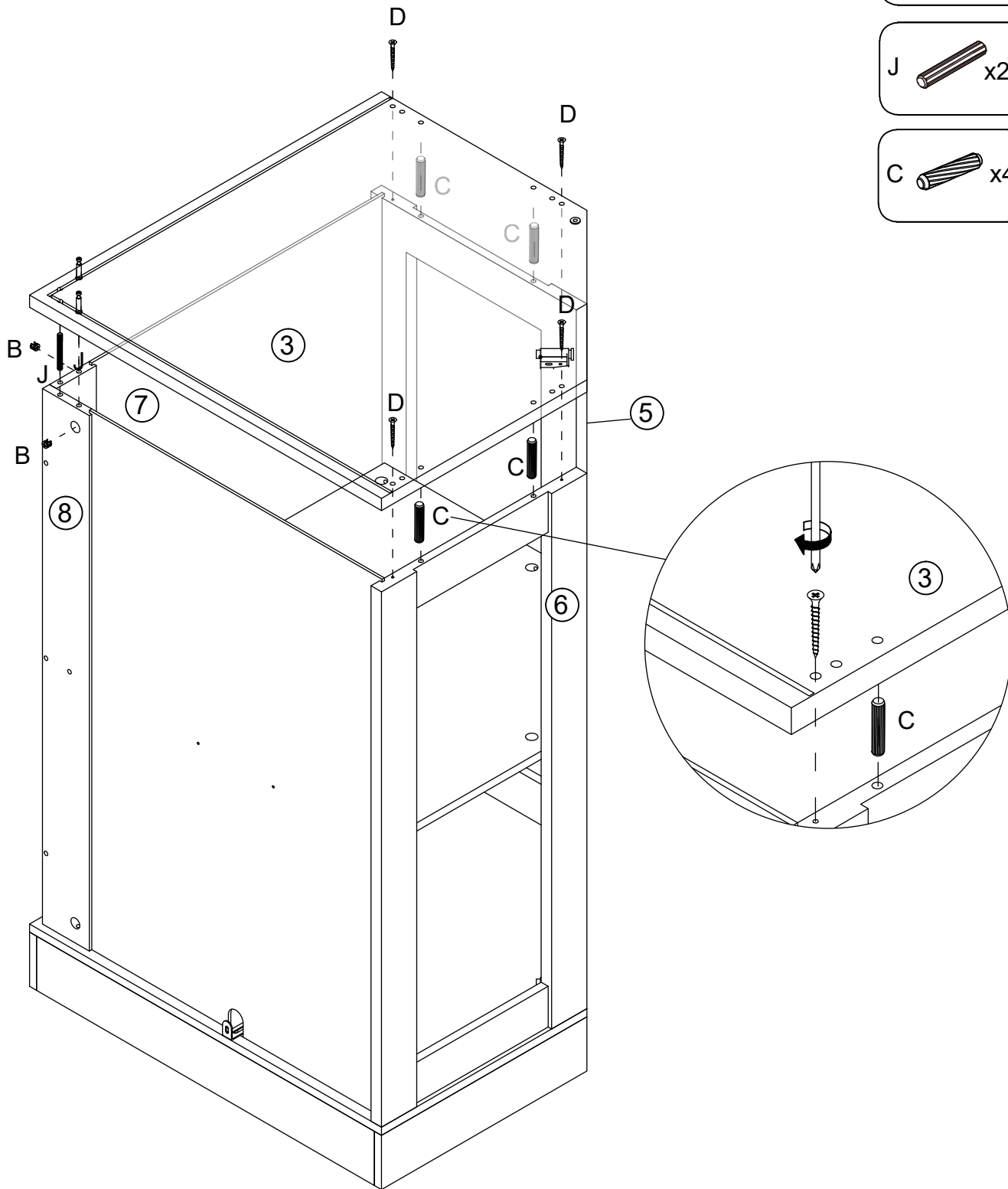


18



19

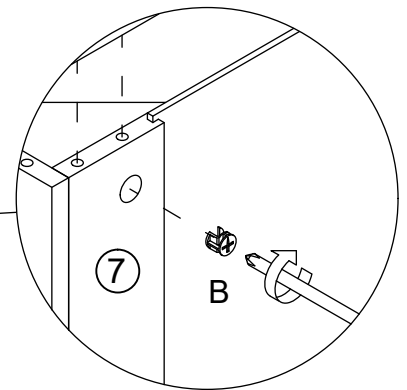
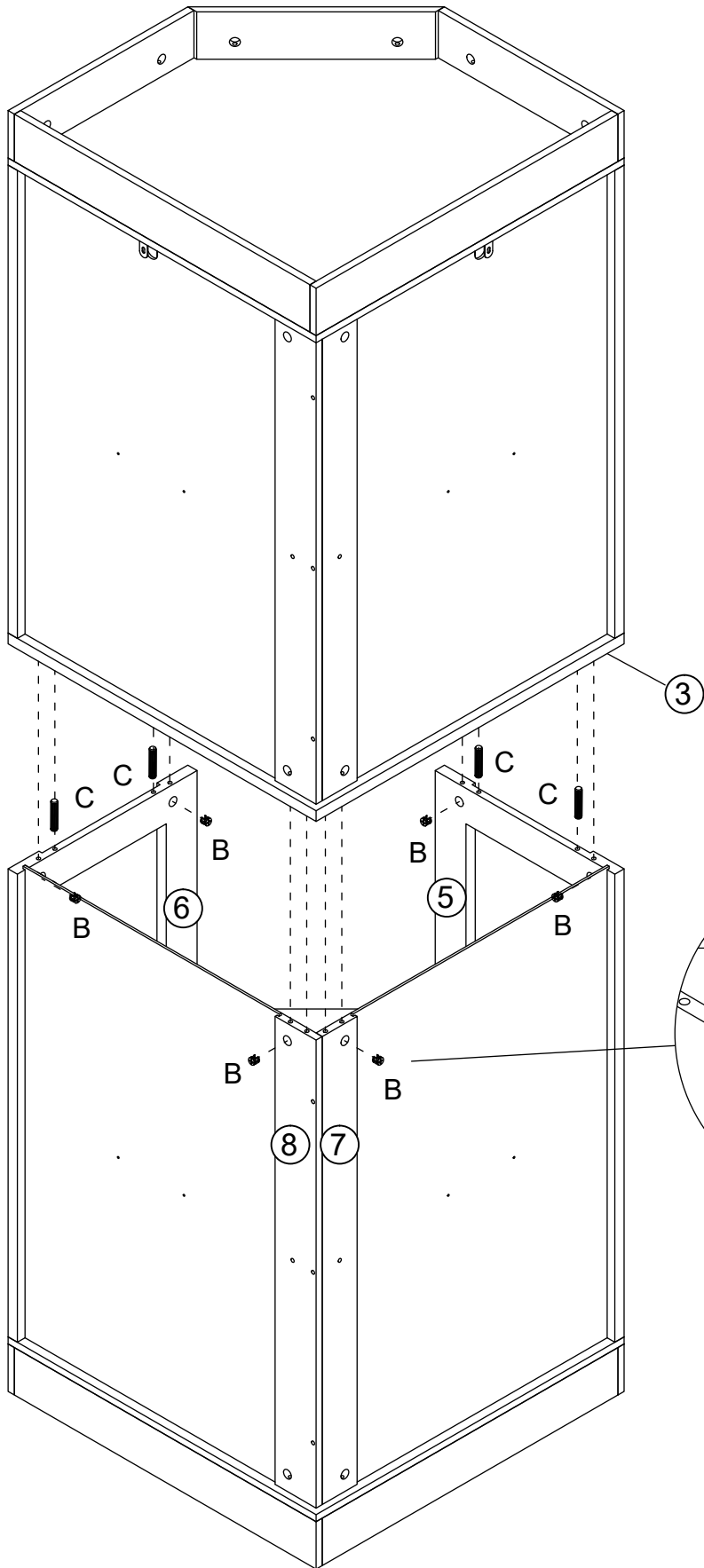
- B  x2
- D  x4
- J  x2
- C  x4



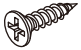

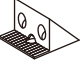
20

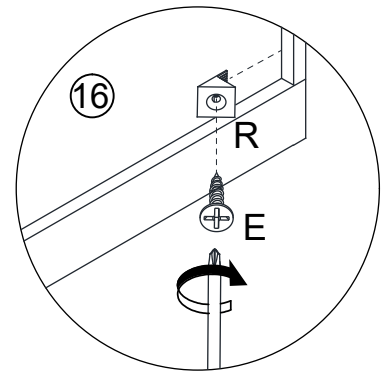
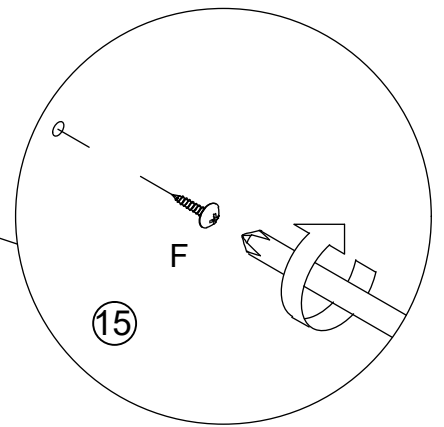
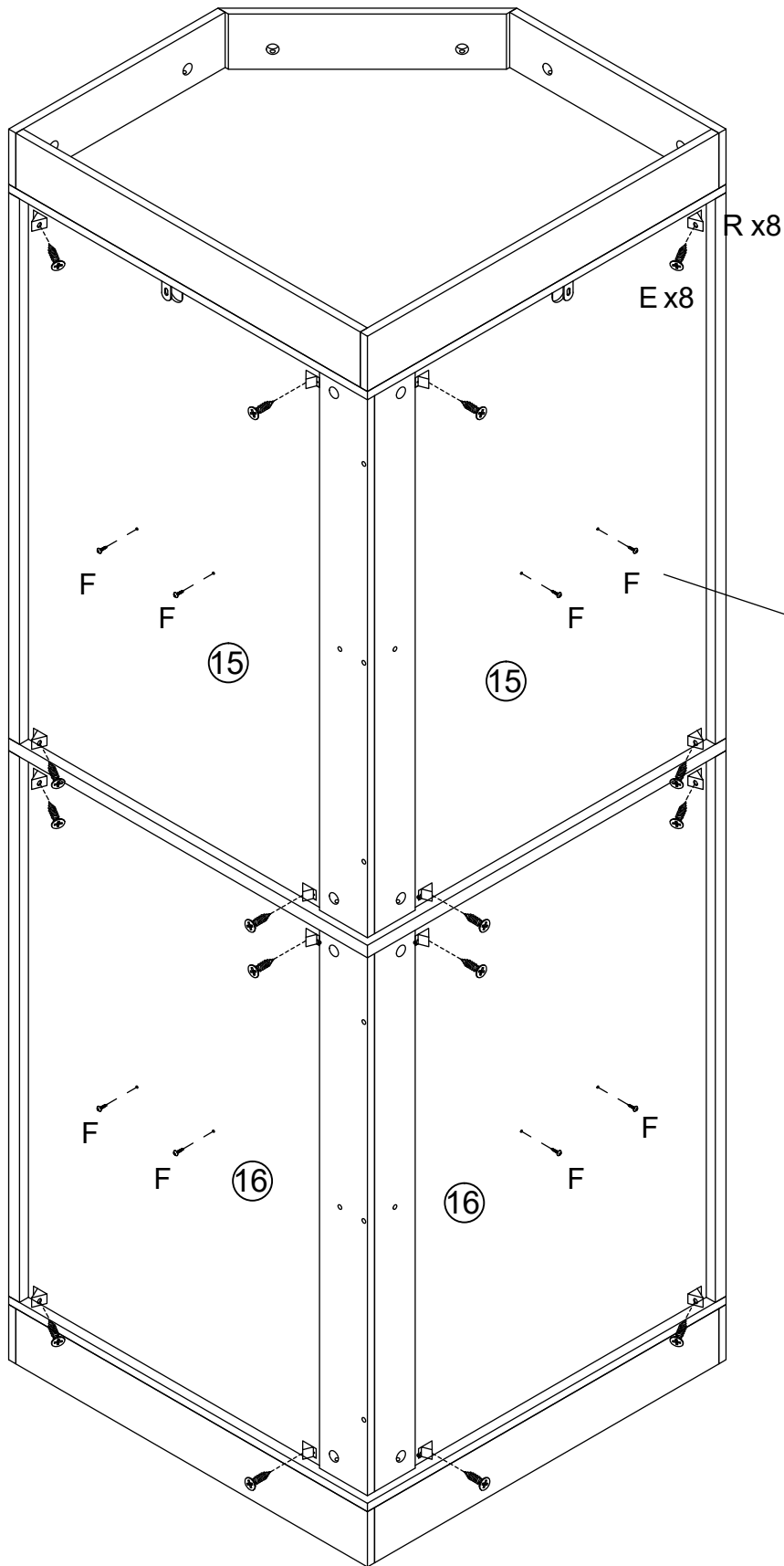
B  x6

C  x4

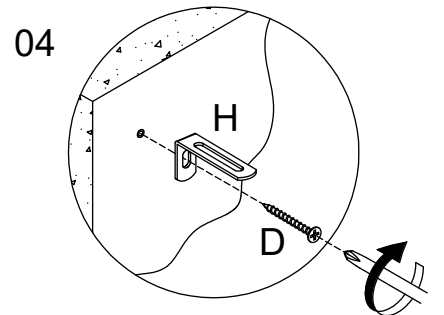
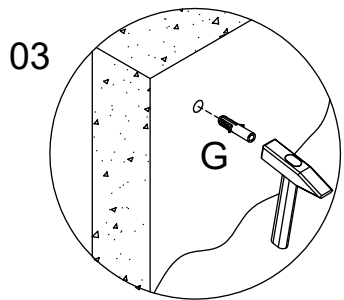
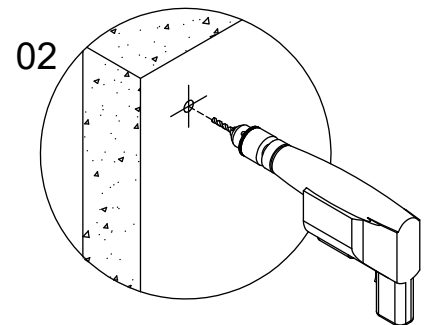
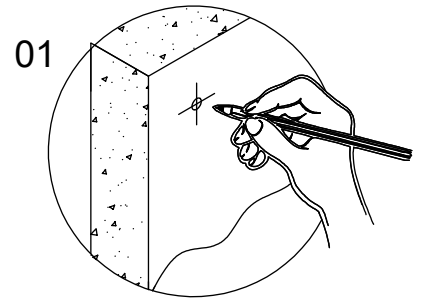
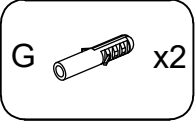
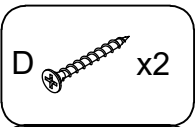
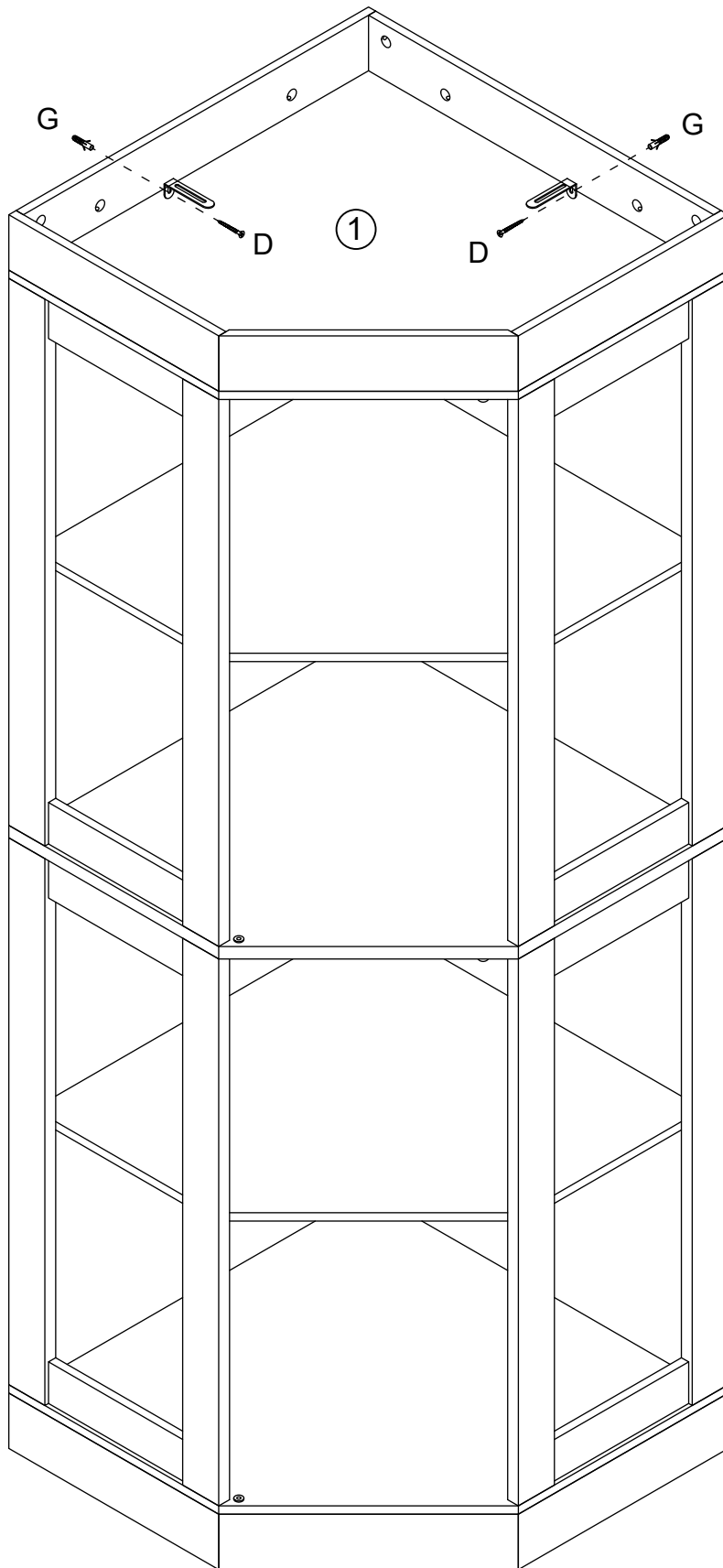


21

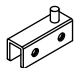

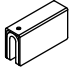

- E  x16
- F  x8
- R  x16

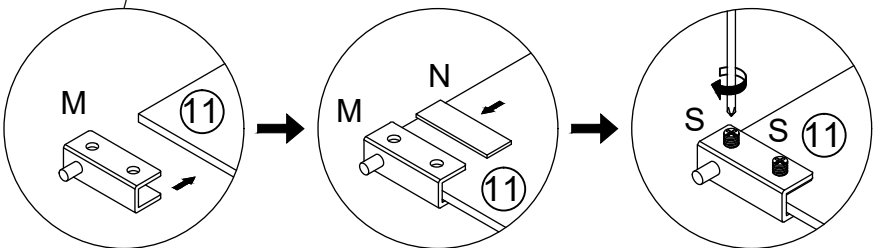
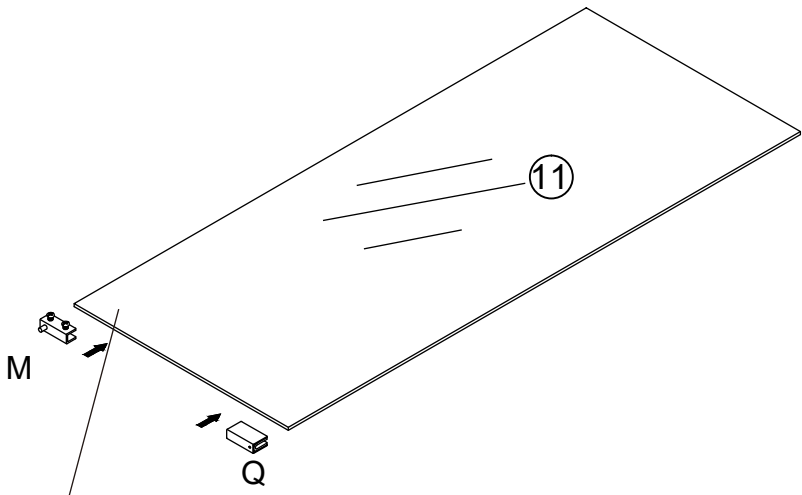


22



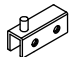
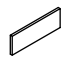

23

- M  x2
- N  x2
- Q  x2
- S  x4



x2

24

- L  x2
- N  x2
- S  x4

